

nRF52833

Product Specification

v1.6

Feature list

Features:

- **Bluetooth[®] 5.1**, IEEE 802.15.4-2006, 2.4 GHz transceiver
 - -96 dBm sensitivity in 1 Mbps **Bluetooth[®]** low energy mode
 - -103 dBm sensitivity in 125 kbps **Bluetooth[®]** low energy mode (long range)
 - -20 to +8 dBm TX power, configurable in 4 dB steps
 - On-air compatible with nRF52, nRF51, nRF24L, and nRF24AP Series
 - Supported data rates:
 - **Bluetooth[®]** 5.1 – 2 Mbps, 1 Mbps, 500 kbps, and 125 kbps
 - IEEE 802.15.4-2006 – 250 kbps
 - Proprietary 2.4 GHz – 2 Mbps, 1 Mbps
 - Angle-of-arrival (AoA) and angle-of-departure (AoD) direction finding using **Bluetooth[®]**
 - Single-ended antenna output (on-chip balun)
 - 128-bit AES/ECB/CCM/AAR co-processor (on-the-fly packet encryption)
 - 4.9 mA peak current in TX (0 dBm)
 - 4.6 mA peak current in RX
 - RSSI (1 dB resolution)
- **ARM[®] Cortex[®] -M4** 32-bit processor with FPU, 64 MHz
 - 217 EEMBC CoreMark[®] score running from flash memory
 - 52 μ A/MHz running CoreMark from flash memory
 - 38 μ A/MHz running CoreMark from RAM
 - Watchpoint and trace debug modules (DWT, ETM, and ITM)
 - Serial wire debug (SWD)
- Rich set of security features
 - Secure boot ready
 - Flash access control list (ACL)
 - Debug control and configuration
 - Access port protection (CTRL-AP)
 - Secure erase
- Flexible power management
 - 1.7 V to 5.5 V supply voltage range
 - On-chip DC/DC and LDO regulators with automated low current modes
 - Automated peripheral power management
 - Fast wake-up using 64 MHz internal oscillator
 - 0.6 μ A at 3 V in System OFF mode, no RAM retention
 - 1.5 μ A at 3 V in System ON mode, no RAM retention, wake on RTC
- 512 kB flash and 128 kB RAM
- Advanced on-chip interfaces
 - USB 2.0 full speed (12 Mbps) controller
 - High-speed 32 MHz SPI
 - Type 2 near field communication (NFC-A) tag with wake-on field
 - Touch-to-pair support
 - Programmable peripheral interconnect (PPI)
 - 42 general purpose I/O pins
 - EasyDMA automated data transfer between memory and peripherals
- Nordic SoftDevice ready with support for concurrent multiprotocol
- 12-bit, 200 ksp/s ADC – 8 configurable channels with programmable gain
- 64 level comparator
- 15 level low-power comparator with wake-up from System OFF mode
- Temperature sensor
- 4x four channel pulse width modulator (PWM) unit with EasyDMA
- Audio peripherals – I²S, digital microphone interface (PDM)
- 5x 32-bit timer with counter mode
- Up to 4x SPI master/3x SPI slave with EasyDMA
- Up to 2x I²C compatible two-wire master/slave
- 2x UART (CTS/RTS) with EasyDMA
- Quadrature decoder (QDEC)
- 3x real-time counter (RTC)
- Single crystal operation
- Operating temperature from -40 to 105 °C
- Package variants
 - aQFN[™] 73 package, 7 x 7 mm
 - QFN40 package, 5 x 5 mm
 - WLCSP package, 3.175 x 3.175 mm

Applications:

- Advanced computer peripherals and I/O devices
 - Mouse
 - Keyboard
 - Multi-touch trackpad
- Advanced wearables
 - Health/fitness sensor and monitor devices
 - Wireless payment enabled devices
- Internet of things (IoT)
 - Smart home sensors and controllers
 - Industrial IoT sensors and controllers
- Interactive entertainment devices
 - Remote controls
 - Gaming controllers

Contents

Feature list	ii
1 Revision history	12
2 About this document	14
2.1 Document status	14
2.2 Peripheral chapters	14
2.3 Register tables	14
2.3.1 Fields and values	15
2.3.2 Permissions	15
2.4 Registers	15
2.4.1 DUMMY	15
3 Block diagram	17
4 Core components	18
4.1 CPU	18
4.1.1 Floating point interrupt	18
4.1.2 CPU and support module configuration	18
4.1.3 Electrical specification	19
4.2 Memory	19
4.2.1 RAM - Random access memory	20
4.2.2 Flash - Non-volatile memory	20
4.2.3 Memory map	20
4.2.4 Instantiation	22
4.3 NVMC — Non-volatile memory controller	23
4.3.1 Writing to flash	23
4.3.2 Erasing a page in flash	24
4.3.3 Writing to user information configuration registers (UICR)	24
4.3.4 Erasing user information configuration registers (UICR)	24
4.3.5 Erase all	24
4.3.6 Access port protection behavior	24
4.3.7 NVMC power failure protection	24
4.3.8 Partial erase of a page in flash	25
4.3.9 Cache	25
4.3.10 Registers	25
4.3.11 Electrical specification	30
4.4 FICR — Factory information configuration registers	30
4.4.1 Registers	30
4.5 UICR — User information configuration registers	40
4.5.1 Registers	40
4.6 EasyDMA	44
4.6.1 EasyDMA error handling	45
4.6.2 EasyDMA array list	46
4.7 AHB multilayer	46
4.8 Debug and trace	47
4.8.1 DAP - Debug access port	48
4.8.2 Access port protection	48
4.8.3 CTRL-AP - Control access port	51
4.8.4 Debug Interface mode	53

4.8.5 Real-time debug	53
4.8.6 Trace	53
5 Power and clock management	55
5.1 Power management unit (PMU)	55
5.2 Current consumption	55
5.2.1 Electrical specification	56
5.3 POWER — Power supply	61
5.3.1 Main supply	62
5.3.2 USB supply	66
5.3.3 System OFF mode	67
5.3.4 System ON mode	68
5.3.5 RAM power control	68
5.3.6 Reset	69
5.3.7 Registers	70
5.3.8 Electrical specification	80
5.4 CLOCK — Clock control	82
5.4.1 HFCLK controller	82
5.4.2 LFCLK controller	84
5.4.3 Registers	87
5.4.4 Electrical specification	95
6 Peripherals	98
6.1 Peripheral interface	98
6.1.1 Peripheral ID	98
6.1.2 Peripherals with shared ID	99
6.1.3 Peripheral registers	99
6.1.4 Bit set and clear	99
6.1.5 Tasks	99
6.1.6 Events	99
6.1.7 Shortcuts	100
6.1.8 Interrupts	100
6.2 AAR — Accelerated address resolver	101
6.2.1 EasyDMA	101
6.2.2 Resolving a resolvable address	101
6.2.3 Example	102
6.2.4 IRK data structure	102
6.2.5 Registers	102
6.2.6 Electrical specification	106
6.3 ACL — Access control lists	106
6.3.1 Registers	108
6.4 CCM — AES CCM mode encryption	110
6.4.1 Keystream generation	110
6.4.2 Encryption	111
6.4.3 Decryption	111
6.4.4 AES CCM and RADIO concurrent operation	112
6.4.5 Encrypting packets on-the-fly in radio transmit mode	112
6.4.6 Decrypting packets on-the-fly in RADIO receive mode	113
6.4.7 CCM data structure	114
6.4.8 EasyDMA and ERROR event	115
6.4.9 Registers	116
6.4.10 Electrical specification	122
6.5 COMP — Comparator	122

6.5.1 Shared resources	124
6.5.2 Differential mode	124
6.5.3 Single-ended mode	125
6.5.4 Registers	127
6.5.5 Electrical specification	134
6.6 ECB — AES electronic codebook mode encryption	134
6.6.1 Shared resources	135
6.6.2 EasyDMA	135
6.6.3 ECB data structure	135
6.6.4 Registers	135
6.6.5 Electrical specification	138
6.7 EGU — Event generator unit	138
6.7.1 Registers	139
6.7.2 Electrical specification	141
6.8 GPIO — General purpose input/output	141
6.8.1 Pin configuration	142
6.8.2 Registers	144
6.8.3 Electrical specification	148
6.9 GPIOTE — GPIO tasks and events	149
6.9.1 Pin events and tasks	150
6.9.2 Port event	150
6.9.3 Tasks and events pin configuration	151
6.9.4 Registers	151
6.9.5 Electrical specification	155
6.10 I ² S — Inter-IC sound interface	155
6.10.1 Mode	156
6.10.2 Transmitting and receiving	156
6.10.3 Left right clock (LRCK)	157
6.10.4 Serial clock (SCK)	157
6.10.5 Master clock (MCK)	158
6.10.6 Width, alignment and format	158
6.10.7 EasyDMA	160
6.10.8 Module operation	162
6.10.9 Pin configuration	164
6.10.10 Registers	165
6.10.11 Electrical specification	174
6.11 LPCOMP — Low-power comparator	175
6.11.1 Shared resources	176
6.11.2 Pin configuration	176
6.11.3 Registers	177
6.11.4 Electrical specification	183
6.12 MWU — Memory watch unit	183
6.12.1 Registers	184
6.13 NFCT — Near field communication tag	197
6.13.1 Overview	198
6.13.2 Operating states	200
6.13.3 Pin configuration	201
6.13.4 EasyDMA	201
6.13.5 Frame assembler	202
6.13.6 Frame disassembler	203
6.13.7 Frame timing controller	204
6.13.8 Collision resolution	205
6.13.9 Antenna interface	206
6.13.10 NFCT antenna recommendations	206

6.13.11 Battery protection	207
6.13.12 Digital Modulation Signal	207
6.13.13 References	208
6.13.14 Registers	208
6.13.15 Electrical specification	227
6.14 PDM — Pulse density modulation interface	227
6.14.1 Master clock generator	228
6.14.2 Module operation	228
6.14.3 Decimation filter	229
6.14.4 EasyDMA	229
6.14.5 Hardware example	230
6.14.6 Pin configuration	231
6.14.7 Registers	231
6.14.8 Electrical specification	238
6.15 PPI — Programmable peripheral interconnect	238
6.15.1 Pre-programmed channels	240
6.15.2 Registers	240
6.16 PWM — Pulse width modulation	245
6.16.1 Wave counter	246
6.16.2 Decoder with EasyDMA	249
6.16.3 Limitations	256
6.16.4 Pin configuration	256
6.16.5 Registers	257
6.17 QDEC — Quadrature decoder	265
6.17.1 Sampling and decoding	266
6.17.2 LED output	267
6.17.3 Debounce filters	267
6.17.4 Accumulators	268
6.17.5 Output/input pins	268
6.17.6 Pin configuration	268
6.17.7 Registers	269
6.17.8 Electrical specification	280
6.18 RADIO — 2.4 GHz radio	280
6.18.1 Packet configuration	281
6.18.2 Address configuration	282
6.18.3 Data whitening	283
6.18.4 CRC	283
6.18.5 Radio states	284
6.18.6 Transmit sequence	284
6.18.7 Receive sequence	286
6.18.8 Received signal strength indicator (RSSI)	287
6.18.9 Interframe spacing (IFS)	287
6.18.10 Device address match	288
6.18.11 Bit counter	289
6.18.12 Direction finding	289
6.18.13 IEEE 802.15.4 operation	294
6.18.14 EasyDMA	303
6.18.15 Registers	304
6.18.16 Electrical specification	339
6.19 RNG — Random number generator	345
6.19.1 Bias correction	345
6.19.2 Speed	345
6.19.3 Registers	345
6.19.4 Electrical specification	348

6.20 RTC — Real-time counter	348
6.20.1 Clock source	348
6.20.2 Resolution versus overflow and the PRESCALER	348
6.20.3 COUNTER register	349
6.20.4 Overflow features	350
6.20.5 TICK event	350
6.20.6 Event control feature	350
6.20.7 Compare feature	351
6.20.8 TASK and EVENT jitter/delay	353
6.20.9 Reading the COUNTER register	355
6.20.10 Registers	356
6.20.11 Electrical specification	361
6.21 SAADC — Successive approximation analog-to-digital converter	361
6.21.1 Input configuration	362
6.21.2 Reference voltage and gain settings	364
6.21.3 Digital output	364
6.21.4 EasyDMA	364
6.21.5 Continuous sampling	366
6.21.6 Oversampling	366
6.21.7 Event monitoring using limits	366
6.21.8 Calibration	367
6.21.9 Registers	367
6.21.10 Electrical specification	382
6.22 SPI — Serial peripheral interface master	383
6.22.1 Functional description	383
6.22.2 Registers	386
6.22.3 Electrical specification	390
6.23 SPIM — Serial peripheral interface master with EasyDMA	391
6.23.1 SPI master transaction sequence	392
6.23.2 D/CX functionality	393
6.23.3 Pin configuration	394
6.23.4 EasyDMA	394
6.23.5 Low power	395
6.23.6 Registers	396
6.23.7 Electrical specification	407
6.24 SPIS — Serial peripheral interface slave with EasyDMA	408
6.24.1 Shared resources	409
6.24.2 EasyDMA	409
6.24.3 SPI slave operation	409
6.24.4 Pin configuration	411
6.24.5 Registers	412
6.24.6 Electrical specification	423
6.25 SWI — Software interrupts	425
6.25.1 Registers	425
6.26 TEMP — Temperature sensor	425
6.26.1 Registers	425
6.26.2 Electrical specification	431
6.27 TWI — I ² C compatible two-wire interface	432
6.27.1 Functional description	432
6.27.2 Master mode pin configuration	432
6.27.3 Shared resources	433
6.27.4 Master write sequence	433
6.27.5 Master read sequence	434
6.27.6 Master repeated start sequence	435

6.27.7 Low power	436
6.27.8 Registers	436
6.27.9 Electrical specification	444
6.28 TIMER — Timer/counter	444
6.28.1 Capture	446
6.28.2 Compare	446
6.28.3 Task delays	446
6.28.4 Task priority	446
6.28.5 Registers	446
6.28.6 Electrical specification	451
6.29 TWIM — I ² C compatible two-wire interface master with EasyDMA	451
6.29.1 EasyDMA	453
6.29.2 Master write sequence	453
6.29.3 Master read sequence	454
6.29.4 Master repeated start sequence	455
6.29.5 Low power	456
6.29.6 Master mode pin configuration	456
6.29.7 Registers	456
6.29.8 Electrical specification	467
6.29.9 Pullup resistor	468
6.30 TWIS — I ² C compatible two-wire interface slave with EasyDMA	468
6.30.1 EasyDMA	470
6.30.2 TWI slave responding to a read command	470
6.30.3 TWI slave responding to a write command	472
6.30.4 Master repeated start sequence	473
6.30.5 Terminating an ongoing TWI transaction	473
6.30.6 Low power	474
6.30.7 Slave mode pin configuration	474
6.30.8 Registers	474
6.30.9 Electrical specification	484
6.31 UART — Universal asynchronous receiver/transmitter	485
6.31.1 Functional description	485
6.31.2 Pin configuration	486
6.31.3 Shared resources	486
6.31.4 Transmission	486
6.31.5 Reception	487
6.31.6 Suspending the UART	488
6.31.7 Error conditions	488
6.31.8 Using the UART without flow control	488
6.31.9 Parity and stop bit configuration	488
6.31.10 Registers	488
6.31.11 Electrical specification	497
6.32 UARTE — Universal asynchronous receiver/transmitter with EasyDMA	498
6.32.1 EasyDMA	498
6.32.2 Transmission	499
6.32.3 Reception	499
6.32.4 Error conditions	501
6.32.5 Using the UARTE without flow control	501
6.32.6 Parity and stop bit configuration	501
6.32.7 Low power	501
6.32.8 Pin configuration	502
6.32.9 Registers	502
6.32.10 Electrical specification	515
6.33 USB_D — Universal serial bus device	515

6.33.1 USB device states	516
6.33.2 USB terminology	517
6.33.3 USB pins	518
6.33.4 USB power-up sequence	518
6.33.5 USB pull-up	519
6.33.6 USB reset	519
6.33.7 USB suspend and resume	520
6.33.8 EasyDMA	521
6.33.9 Control transfers	522
6.33.10 Bulk and interrupt transactions	525
6.33.11 Isochronous transactions	527
6.33.12 USB register access limitations	530
6.33.13 Registers	530
6.33.14 Electrical specification	555
6.34 WDT — Watchdog timer	555
6.34.1 Reload criteria	556
6.34.2 Temporarily pausing the watchdog	556
6.34.3 Watchdog reset	556
6.34.4 Registers	556
6.34.5 Electrical specification	559
7 Hardware and layout	560
7.1 Pin assignments	560
7.1.1 aQFN73 ball assignments	560
7.1.2 QFN40 pin assignments	563
7.1.3 WLCSP ball assignments	565
7.2 Mechanical specifications	568
7.2.1 aQFN73 7 x 7 mm package	568
7.2.2 QFN40 5 x 5 mm package	569
7.2.3 WLCSP 3.175 x 3.175 mm package	569
7.3 Reference circuitry	570
7.3.1 Circuit configuration no. 1 for QIAA aQFN73	572
7.3.2 Circuit configuration no. 2 for QIAA aQFN73	573
7.3.3 Circuit configuration no. 3 for QIAA aQFN73	575
7.3.4 Circuit configuration no. 4 for QIAA aQFN73	577
7.3.5 Circuit configuration no. 5 for QIAA aQFN73	579
7.3.6 Circuit configuration no. 6 for QIAA aQFN73	581
7.3.7 Circuit configuration no. 1 for QDAA QFN40	583
7.3.8 Circuit configuration no. 2 for QDAA QFN40	585
7.3.9 Circuit configuration no. 3 for QDAA QFN40	587
7.3.10 Circuit configuration no. 4 for QDAA QFN40	589
7.3.11 Circuit configuration no. 5 for QDAA QFN40	591
7.3.12 Circuit configuration no. 6 for QDAA QFN40	593
7.3.13 Circuit configuration no. 1 for CJAA WLCSP	595
7.3.14 Circuit configuration no. 2 for CJAA WLCSP	597
7.3.15 Circuit configuration no. 3 for CJAA WLCSP	599
7.3.16 Circuit configuration no. 4 for CJAA WLCSP	601
7.3.17 Circuit configuration no. 5 for CJAA WLCSP	603
7.3.18 Circuit configuration no. 6 for CJAA WLCSP	605
7.3.19 PCB guidelines	607
7.3.20 PCB layout example	608
7.3.21 PMIC support	609
7.4 Package thermal characteristics	610
7.5 Package Variation	610

7.5.1 aQFN73	610
8 Recommended operating conditions	611
8.1 Extended Operating Temperature	611
8.2 WLCSP light sensitivity	611
9 Absolute maximum ratings.	612
10 Ordering information.	614
10.1 Device marking	614
10.2 Box labels	614
10.3 Order code	615
10.4 Code ranges and values	616
10.5 Product options	617
11 Legal notices.	619

1 Revision history

Date	Version	Description
December 2023	1.6	The following content has been added or updated: <ul style="list-style-type: none"> • Reference circuitry on page 570 - Added PMIC support section.
November 2021	1.5	The following content has been added or updated: <ul style="list-style-type: none"> • Ordering information on page 614 - Build codes Axx not recommended for new designs • Editorial changes
May 2021	1.4	The following content has been added or updated: <ul style="list-style-type: none"> • FICR — Factory information configuration registers on page 30 - Added nRF52820 value to INFO.PART register and updated INFO.VARIANT device variants • Updated access port protection in Debug and trace on page 47 and UICR — User information configuration registers on page 40 • POWER — Power supply on page 61 - Added parameter R_{SOURCE,VBUSVDDH} and changed the value of parameter R_{SOURCE,VBUSVDDH} to 6 Ω • CLOCK — Clock control on page 82 - Added parameter V_{AMP,IN,XO,LOW} • CCM — AES CCM mode encryption on page 110 - Added HEADERMASK register • COMP — Comparator on page 122 - Added section Shared Resources • Mechanical specifications on page 568 - Added tolerances for D and E dimensions for WLCSP package • Ordering information on page 614 - Added new product options • Updated aQFN™ 73, QFN40, and WLCSP variants with note on DECS in Reference circuitry on page 570 and Pin assignments on page 560 • RADIO — 2.4 GHz radio on page 280 - Corrected conversion formula for CCAEDTHRES, CCA, or EDLEVEL value to dBm • Reference circuitry on page 570 - Updated recommended value for USB serial resistor • Editorial changes
August 2020	1.3	The following content has been added or updated: <ul style="list-style-type: none"> • Added WLCSP package information • Editorial changes
April 2020	1.2	The following content has been added or updated since the last released version: <ul style="list-style-type: none"> • Added information for the QFN40 package variant in Pin assignments on page 560, Mechanical specifications on page 568, Reference circuitry on page 570, Package thermal characteristics on page 610, Absolute maximum ratings on page 612 and Ordering information on page 614. • Corrected minimum valid value for EasyDMA MAXCNT and AMOUNT registers in SPIM — Serial peripheral interface master with EasyDMA on page 391, SPIS — Serial peripheral interface slave with EasyDMA on page 408, TWIM — I²C compatible two-wire interface master with EasyDMA on page 451, TWIS — I²C compatible two-wire interface slave

Date	Version	Description
		<p>with EasyDMA on page 468 and UARTE — Universal asynchronous receiver/transmitter with EasyDMA on page 498.</p> <ul style="list-style-type: none"> • Current consumption on page 55 - Added missing compounded currents. • POWER — Power supply on page 61 - Clarified REG0 elspec parameters, by renaming and adding several parameters. • RADIO — 2.4 GHz radio on page 280 - Corrected Sensitivity plot. • SPIM — Serial peripheral interface master with EasyDMA on page 391 - Corrected parameter $t_{SPIM,CSK}$. • Reference circuitry on page 570 - Added optional 4.7 Ω resistor to USB supply in configuration 1 for QIAA package. • Recommended operating conditions on page 611 - Added parameter T_j (junction temperature), moved from Absolute maximum ratings on page 612. • Absolute maximum ratings on page 612 - Increased aQFN73 CDM to 750 V. Removed parameter T_j (junction temperature), moved to Recommended operating conditions on page 611. Added footnote regarding supply voltages used in HTOL. • Legal notices on page 619 - Updated copyright date.
January 2020	1.1	Not released
November 2019	1.0	First release

2 About this document

This document is organized into chapters that are based on the modules and peripherals available in the IC.

2.1 Document status

The document status reflects the level of maturity of the document.

Document name	Description
Objective Product Specification (OPS)	Applies to document versions up to 1.0. This document contains target specifications for product development.
Product Specification (PS)	Applies to document versions 1.0 and higher. This document contains final product specifications. Nordic Semiconductor ASA reserves the right to make changes at any time without notice in order to improve design and supply the best possible product.

Table 1: Defined document names

2.2 Peripheral chapters

Every peripheral has a unique capitalized name or an abbreviation of its name, e.g. TIMER, used for identification and reference. This name is used in chapter headings and references, and it will appear in the ARM[®] Cortex[®] Microcontroller Software Interface Standard (CMSIS) hardware abstraction layer to identify the peripheral.

The peripheral instance name, which is different from the peripheral name, is constructed using the peripheral name followed by a numbered postfix, starting with 0, for example, TIMER0. A postfix is normally only used if a peripheral can be instantiated more than once. The peripheral instance name is also used in the CMSIS to identify the peripheral instance.

The chapters describing peripherals may include the following information:

- A detailed functional description of the peripheral
- Register configuration for the peripheral
- Electrical specification tables, containing performance data which apply for the operating conditions described in [Recommended operating conditions](#) on page 611.

2.3 Register tables

Individual registers are described using register tables. These tables are built up of two sections. The first three colored rows describe the position and size of the different fields in the register. The following rows describe the fields in more detail.

2.3.1 Fields and values

The **Id (Field Id)** row specifies the bits that belong to the different fields in the register. If a field has enumerated values, then every value will be identified with a unique value id in the **Value Id** column.

A blank space means that the field is reserved and read as undefined, and it also must be written as 0 to secure forward compatibility. If a register is divided into more than one field, a unique field name is specified for each field in the **Field** column. The **Value Id** may be omitted in the single-bit bit fields when values can be substituted with a Boolean type enumerator range, e.g. true/false, disable(d)/enable(d), on/off, and so on.

Values are usually provided as decimal or hexadecimal. Hexadecimal values have a 0x prefix, decimal values have no prefix.

The **Value** column can be populated in the following ways:

- Individual enumerated values, for example 1, 3, 9.
- Range of values, e.g. [0..4], indicating all values from and including 0 and 4.
- Implicit values. If no values are indicated in the **Value** column, all bit combinations are supported, or alternatively the field's translation and limitations are described in the text instead.

If two or more fields are closely related, the **Value Id**, **Value**, and **Description** may be omitted for all but the first field. Subsequent fields will indicate inheritance with '..!'.
 ..!

A feature marked **Deprecated** should not be used for new designs.

2.3.2 Permissions

Different fields in a register might have different access permissions enforced by hardware.

The access permission for each register field is documented in the **Access** column in the following ways:

Access	Description	Hardware behavior
RO	Read-only	Field can only be read. A write will be ignored.
WO	Write-only	Field can only be written. A read will return an undefined value.
RW	Read-write	Field can be read and written multiple times.
W1	Write-once	Field can only be written once per reset. Any subsequent write will be ignored. A read will return an undefined value.
RW1	Read-write-once	Field can be read multiple times, but only written once per reset. Any subsequent write will be ignored.

Table 2: Register field permission schemes

2.4 Registers

Register	Offset	Description
DUMMY	0x514	Example of a register controlling a dummy feature

Table 3: Register overview

2.4.1 DUMMY

Address offset: 0x514

Example of a register controlling a dummy feature

Bit number	31	30	29	28	27	26	25	24	23	22	21	20	19	18	17	16	15	14	13	12	11	10	9	8	7	6	5	4	3	2	1	0	
ID	D				D			D			C			C			C			B			A		A								
Reset 0x00050002	0	0	0	0	0	0	0	0	0	0	0	0	0	1	0	1	0	0	0	0	0	0	0	0	0	0	0	0	0	0	0	1	0

ID	Acce	Field	Value ID	Value	Description
A	RW	FIELD_A			Example of a read-write field with several enumerated values
			Disabled	0	The example feature is disabled
			NormalMode	1	The example feature is enabled in normal mode
			ExtendedMode	2	The example feature is enabled along with extra functionality
B	RW	FIELD_B			Example of a deprecated read-write field Deprecated
			Disabled	0	The override feature is disabled
			Enabled	1	The override feature is enabled
C	RW	FIELD_C	ValidRange	[2..7]	Example of a read-write field with a valid range of values Example of allowed values for this field
D	RW	FIELD_D			Example of a read-write field with no restriction on the values

3 Block diagram

This block diagram illustrates the overall system. Arrows with white heads indicate signals that share physical pins with other signals.

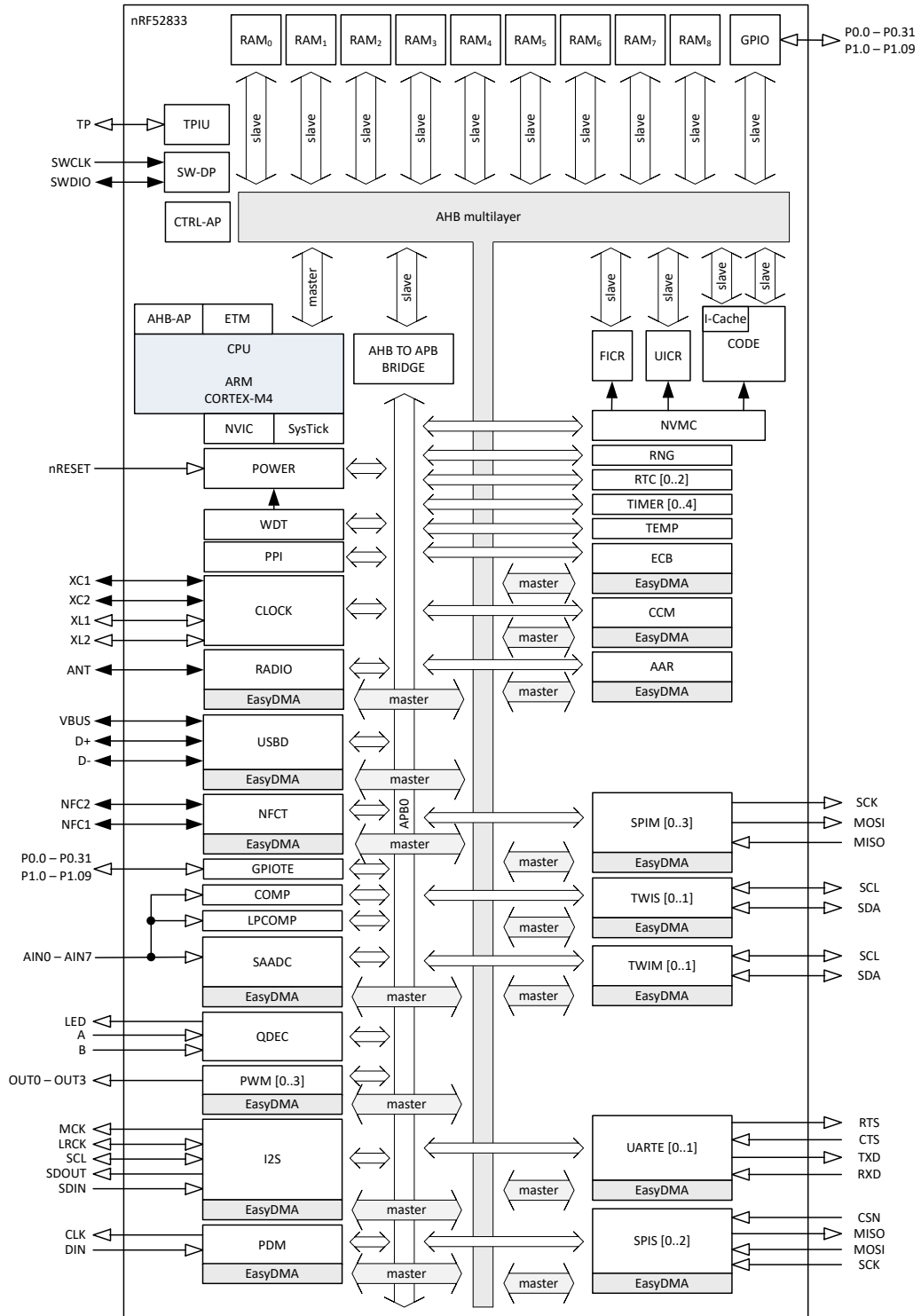


Figure 1: Block diagram

4 Core components

4.1 CPU

The ARM[®] Cortex[®]-M4 processor with floating-point unit (FPU) has a 32-bit instruction set (Thumb[®]-2 technology) that implements a superset of 16- and 32-bit instructions to maximize code density and performance.

This processor implements the following features that enable energy-efficient arithmetic and high-performance signal processing.

- Digital signal processing (DSP) instructions
- Single-cycle multiply and accumulate (MAC) instructions
- Hardware divide
- 8- and 16-bit single instruction multiple data (SIMD) instructions
- Single-precision floating-point unit (FPU)

The ARM[®] Cortex[®] Microcontroller Software Interface Standard (CMSIS) hardware abstraction layer for the ARM[®] Cortex[®] processor series is implemented and available for the M4 CPU.

Real-time execution is highly deterministic in thread mode, to and from sleep modes, and when handling events at configurable priority levels via the nested vectored interrupt controller (NVIC).

Executing code from flash memory will have a wait state penalty on the nRF52 Series. An instruction cache can be enabled to minimize flash wait states when fetching instructions. For more information on cache, see [Cache](#) on page 25. The [Electrical specification](#) on page 19 shows CPU performance parameters including wait states in different modes, CPU current and efficiency, and processing power and efficiency based on the CoreMark[®] benchmark.

The ARM system timer (SysTick) is present on nRF52833. The SysTick's clock will only tick when the CPU is running or when the system is in debug interface mode.

4.1.1 Floating point interrupt

The floating point unit (FPU) may generate exceptions when used due to e.g. overflow or underflow, which in turn will trigger the FPU interrupt.

See [Instantiation](#) on page 22 for more information about the exceptions triggering the FPU interrupt.

To clear the IRQ (interrupt request) line when an exception has occurred, the relevant exception bit within the floating-point status and control register (FPSCR) needs to be cleared. For more information about the FPSCR or other FPU registers, see *Cortex-M4 Devices Generic User Guide*.

4.1.2 CPU and support module configuration

The ARM[®] Cortex[®]-M4 processor has a number of CPU options and support modules implemented on the IC.

Option / Module	Description	Implemented
Core options		
NVIC	Nested vector interrupt controller	48 vectors
PRIORITIES	Priority bits	3
WIC	Wakeup interrupt controller	NO
Endianness	Memory system endianness	Little endian
Bit-banding	Bit banded memory	NO
DWT	Data watchpoint and trace	YES
SysTick	System tick timer	YES
Modules		
MPU	Memory protection unit	YES
FPU	Floating-point unit	YES
DAP	Debug access port	YES
ETM	Embedded trace macrocell	YES
ITM	Instrumentation trace macrocell	YES
TPIU	Trace port interface unit	YES
ETB	Embedded trace buffer	NO
FPB	Flash patch and breakpoint unit	YES
HTM	AMBA™ AHB trace macrocell	NO

4.1.3 Electrical specification

4.1.3.1 CPU performance

The CPU clock speed is 64 MHz. Current and efficiency data is taken when in System ON and the CPU is executing the CoreMark® benchmark. It includes power regulator and clock base currents. All other blocks are IDLE.

Symbol	Description	Min.	Typ.	Max.	Units
W _{FLASH}	CPU wait states, running CoreMark from flash, cache disabled			2	
W _{FLASHCACHE}	CPU wait states, running CoreMark from flash, cache enabled			3	
W _{RAM}	CPU wait states, running CoreMark from RAM			0	
CM _{FLASH}	CoreMark, running CoreMark from flash, cache enabled		217		Core ^l
CM _{FLASH/MHz}	CoreMark per MHz, running CoreMark from flash, cache enabled		3.4		CoreMark/ MHz
CM _{FLASH/mA}	CoreMark per mA, running CoreMark from flash, cache enabled, DCDC 3V		65.8		Core ^l mA

4.2 Memory

The nRF52833 contains 512 kB of flash memory and 128 kB of RAM that can be used for code and data storage.

The CPU and peripherals with EasyDMA can access memory via the AHB multilayer interconnect. In addition, peripherals are accessed by the CPU via the AHB multilayer interconnect, as shown in the following figure.

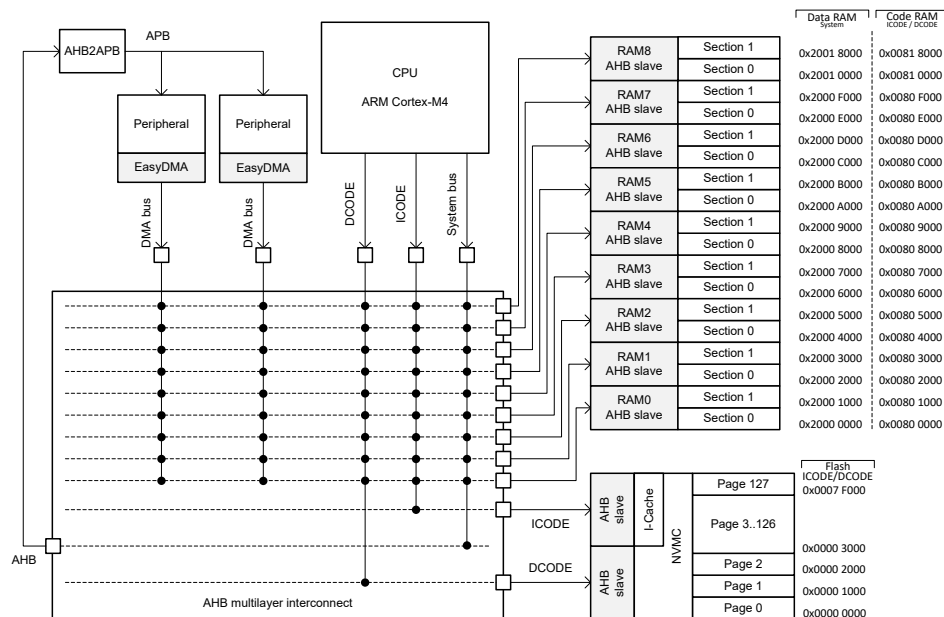


Figure 2: Memory layout

See [AHB multilayer](#) on page 46 and [EasyDMA](#) on page 44 for more information about the AHB multilayer interconnect and EasyDMA.

The same physical RAM is mapped to both the Data RAM region and the Code RAM region. It is up to the application to partition the RAM within these regions so that one does not corrupt the other.

4.2.1 RAM - Random access memory

The RAM interface is divided into nine RAM AHB slaves.

RAM AHB slaves 0 to 7 are connected to two 4 kB RAM sections each, while RAM AHB slave 8 is connected to two 32 kB sections, as shown in [Memory layout](#) on page 20.

Each RAM section has separate power control for System ON and System OFF mode operation, which is configured via RAM register (see the [POWER — Power supply](#) on page 61).

4.2.2 Flash - Non-volatile memory

The CPU can read from flash memory an unlimited number of times, but is restricted in how it writes to flash and the number of writes and erases it can perform.

Writing to flash memory is managed by the non-volatile memory controller (NVMC), see [NVMC — Non-volatile memory controller](#) on page 23.

Flash memory is divided into 128 pages of 4 kB each that can be accessed by the CPU via the ICODE and DCODE buses as shown in [Memory layout](#) on page 20.

4.2.3 Memory map

The complete memory map for the nRF52833 is shown in the following figure. As described in [Memory](#) on page 19, Code RAM and Data RAM are the same physical RAM.

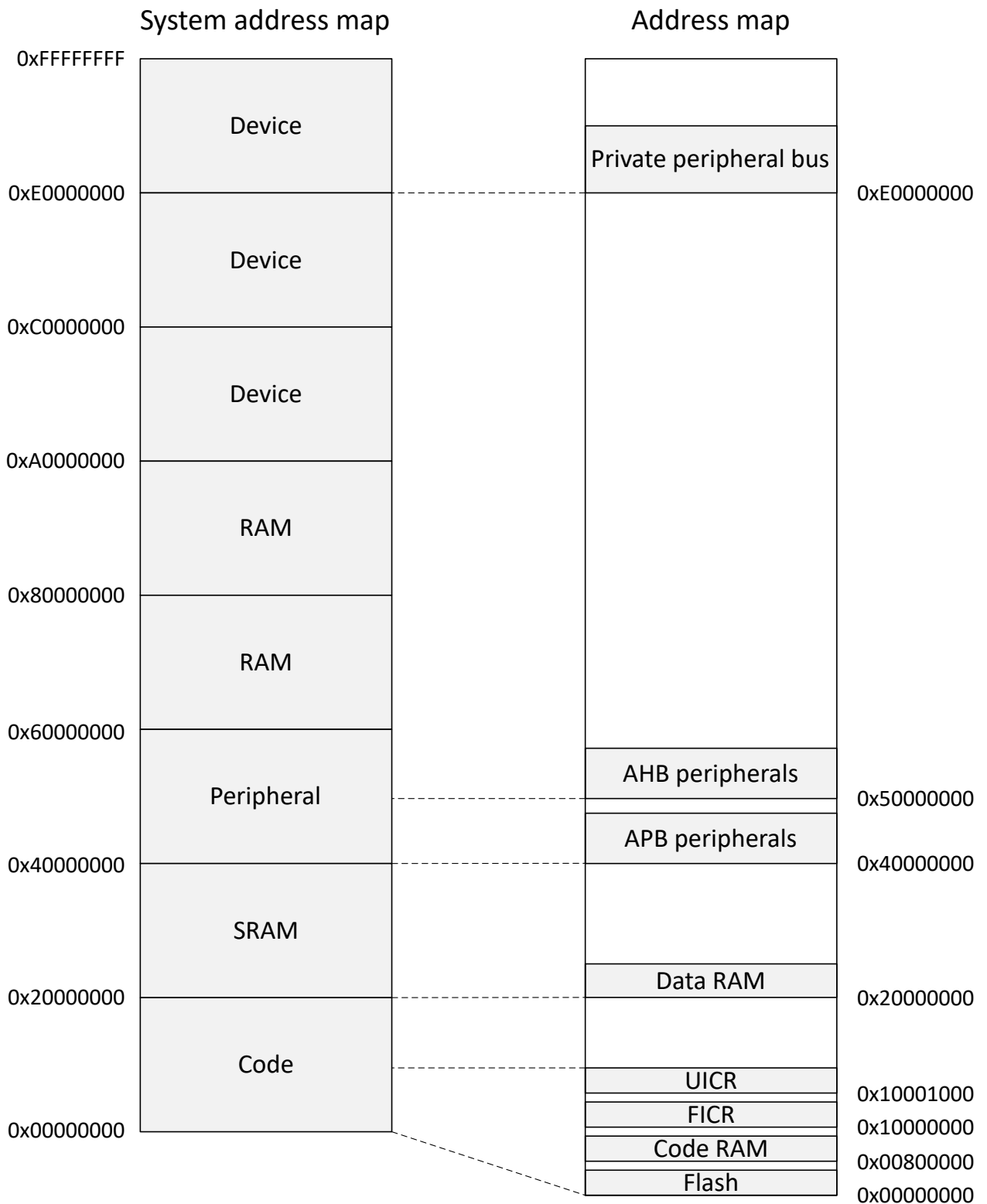


Figure 3: Memory map

4.2.4 Instantiation

ID	Base address	Peripheral	Instance	Description	
0	0x40000000	APPROTECT	APPROTECT	APPROTECT control	
0	0x40000000	CLOCK	CLOCK	Clock control	
0	0x40000000	POWER	POWER	Power control	
0	0x50000000	GPIO	GPIO	General purpose input and output	Deprecated
0	0x50000000	GPIO	P0	General purpose input and output, port 0	
0	0x50000300	GPIO	P1	General purpose input and output, port 1	
1	0x40001000	RADIO	RADIO	2.4 GHz radio	
2	0x40002000	UART	UART0	Universal asynchronous receiver/transmitter	Deprecated
2	0x40002000	UARTE	UARTE0	Universal asynchronous receiver/transmitter with EasyDMA, unit 0	
3	0x40003000	SPI	SPI0	SPI master 0	Deprecated
3	0x40003000	SPIM	SPIM0	SPI master 0	
3	0x40003000	SPIS	SPIS0	SPI slave 0	
3	0x40003000	TWI	TWI0	Two-wire interface master 0	Deprecated
3	0x40003000	TWIM	TWIM0	Two-wire interface master 0	
3	0x40003000	TWIS	TWIS0	Two-wire interface slave 0	
4	0x40004000	SPI	SPI1	SPI master 1	Deprecated
4	0x40004000	SPIM	SPIM1	SPI master 1	
4	0x40004000	SPIS	SPIS1	SPI slave 1	
4	0x40004000	TWI	TWI1	Two-wire interface master 1	Deprecated
4	0x40004000	TWIM	TWIM1	Two-wire interface master 1	
4	0x40004000	TWIS	TWIS1	Two-wire interface slave 1	
5	0x40005000	NFCT	NFCT	Near field communication tag	
6	0x40006000	GPIOE	GPIOE	GPIO tasks and events	
7	0x40007000	SAADC	SAADC	Analog to digital converter	
8	0x40008000	TIMER	TIMER0	Timer 0	
9	0x40009000	TIMER	TIMER1	Timer 1	
10	0x4000A000	TIMER	TIMER2	Timer 2	
11	0x4000B000	RTC	RTC0	Real-time counter 0	
12	0x4000C000	TEMP	TEMP	Temperature sensor	
13	0x4000D000	RNG	RNG	Random number generator	
14	0x4000E000	ECB	ECB	AES electronic code book (ECB) mode block encryption	
15	0x4000F000	CCM	CCM	AES counter with CBC-MAC (CCM) mode block encryption	
15	0x4000F000	AAR	AAR	Accelerated address resolver	
16	0x40010000	WDT	WDT	Watchdog timer	
17	0x40011000	RTC	RTC1	Real-time counter 1	
18	0x40012000	QDEC	QDEC	Quadrature decoder	
19	0x40013000	COMP	COMP	General purpose comparator	
19	0x40013000	LPCOMP	LPCOMP	Low power comparator	
20	0x40014000	EGU	EGU0	Event generator unit 0	
20	0x40014000	SWI	SWI0	Software interrupt 0	
21	0x40015000	EGU	EGU1	Event generator unit 1	
21	0x40015000	SWI	SWI1	Software interrupt 1	
22	0x40016000	EGU	EGU2	Event generator unit 2	
22	0x40016000	SWI	SWI2	Software interrupt 2	
23	0x40017000	EGU	EGU3	Event generator unit 3	
23	0x40017000	SWI	SWI3	Software interrupt 3	
24	0x40018000	EGU	EGU4	Event generator unit 4	
24	0x40018000	SWI	SWI4	Software interrupt 4	
25	0x40019000	EGU	EGU5	Event generator unit 5	

ID	Base address	Peripheral	Instance	Description	
25	0x40019000	SWI	SWI5	Software interrupt 5	
26	0x4001A000	TIMER	TIMER3	Timer 3	
27	0x4001B000	TIMER	TIMER4	Timer 4	
28	0x4001C000	PWM	PWM0	Pulse width modulation unit 0	
29	0x4001D000	PDM	PDM	Pulse Density modulation (digital microphone) interface	
30	0x4001E000	ACL	ACL	Access control lists	
30	0x4001E000	NVMC	NVMC	Non-volatile memory controller	
31	0x4001F000	PPI	PPI	Programmable peripheral interconnect	
32	0x40020000	MWU	MWU	Memory watch unit	
33	0x40021000	PWM	PWM1	Pulse width modulation unit 1	
34	0x40022000	PWM	PWM2	Pulse width modulation unit 2	
35	0x40023000	SPI	SPI2	SPI master 2	Deprecated
35	0x40023000	SPIM	SPIM2	SPI master 2	
35	0x40023000	SPIS	SPIS2	SPI slave 2	
36	0x40024000	RTC	RTC2	Real-time counter 2	
37	0x40025000	I2S	I2S	Inter-IC sound interface	
38	0x40026000	FPU	FPU	FPU interrupt	
39	0x40027000	USBD	USBD	Universal serial bus device	
40	0x40028000	UARTE	UARTE1	Universal asynchronous receiver/transmitter with EasyDMA, unit 1	
45	0x4002D000	PWM	PWM3	Pulse width modulation unit 3	
47	0x4002F000	SPIM	SPIM3	SPI master 3	
N/A	0x10000000	FICR	FICR	Factory information configuration	
N/A	0x10001000	UICR	UICR	User information configuration	

Table 4: Instantiation table

4.3 NVMC — Non-volatile memory controller

The non-volatile memory controller (NVMC) is used for writing and erasing of the internal flash memory and the UICR (user information configuration registers).

The [CONFIG](#) on page 26 is used to enable the NVMC for writing (CONFIG.WEN = Wen) and erasing (CONFIG.WEN = Een).

The CPU must be halted before initiating a NVMC operation from the debug system.

4.3.1 Writing to flash

When write is enabled, full 32-bit words can be written to word-aligned addresses in flash memory.

As illustrated in [Memory](#) on page 19, the flash is divided into multiple pages. The same 32-bit word in flash memory can only be written n_{WRITE} number of times before a page erase must be performed.

The NVMC is only able to write 0 to bits in flash memory that are erased (set to 1). It cannot rewrite a bit back to 1. Only full 32-bit words can be written to flash memory using the NVMC interface. To write less than 32 bits, write the data as a full 32-bit word and set all the bits that should remain unchanged in the word to 1. The restriction on the number of writes (n_{WRITE}) still applies in this case.

Only word-aligned writes are allowed. Byte or half-word-aligned writes will result in a hard fault.

The time it takes to write a word to flash is specified by t_{WRITE} . The CPU is halted if the CPU executes code from the flash while the NVMC is writing to the flash.

NVM writing time can be reduced by using READYNEXT. If this status bit is set to 1, code can perform the next data write to the flash. This write will be buffered and will be taken into account as soon as the ongoing write operation is completed.

4.3.2 Erasing a page in flash

When erase is enabled, the flash memory can be erased page by page using the [ERASEPAGE](#) on page 27.

After erasing a flash page, all bits in the page are set to 1. The time it takes to erase a page is specified by $t_{\text{ERASEPAGE}}$. The CPU is halted if the CPU executes code from the flash while the NVMC is writing to the flash.

See [Partial erase of a page in flash](#) on page 25 for information on dividing the page erase time into shorter chunks.

4.3.3 Writing to user information configuration registers (UICR)

User information configuration registers (UICR) are written in the same way as flash. After UICR has been written, the new UICR configuration will only take effect after a reset.

UICR can only be written n_{WRITE} number of times before an erase must be performed using [ERASEUICR](#) on page 28 or [ERASEALL](#) on page 27. The time it takes to write a word to UICR is specified by t_{WRITE} . The CPU is halted if the CPU executes code from the flash while the NVMC is writing to the UICR.

4.3.4 Erasing user information configuration registers (UICR)

When erase is enabled, UICR can be erased using the [ERASEUICR](#) on page 28.

After erasing UICR, all bits in UICR are set to 1. The time it takes to erase UICR is specified by $t_{\text{ERASEPAGE}}$. The CPU is halted if the CPU executes code from the flash while the NVMC performs the erase operation.

4.3.5 Erase all

When erase is enabled, flash and UICR can be erased completely in one operation by using the [ERASEALL](#) on page 27. This operation will not erase the factory information configuration registers (FICR).

The time it takes to perform an [ERASEALL](#) command is specified by t_{ERASEALL} . The CPU is halted if the CPU executes code from the flash while the NVMC performs the erase operation.

4.3.6 Access port protection behavior

When access port protection is enabled, parts of the NVMC functionality will be blocked in order to prevent intentional or unintentional erase of UICR.

	CTRL-AP	ERASEALL	NVMC ERASEPAGE	NVMC ERASEPAGE PARTIAL	NVMC ERASEALL	NVMC ERASEUICR
APPROTECT						
Disabled	Allowed	Allowed	Allowed	Allowed	Allowed	Allowed
Enabled	Allowed	Allowed	Allowed	Allowed	Allowed	Blocked

Table 5: NVMC Protection

4.3.7 NVMC power failure protection

NVMC power failure protection is possible through use of power-fail comparator that is monitoring power supply.

If the power-fail comparator is enabled, and the power supply voltage is below V_{POF} threshold, the power-fail comparator will prevent the NVMC from performing erase or write operations in non-volatile memory (NVM).

If a power failure warning is present at the start of an NVM erase operation, the NVMC operation will be ignored.

If a power failure warning is present at the start of an NVM write operation, the CPU will hardfault.

4.3.8 Partial erase of a page in flash

Partial erase is a feature in the NVMC to split a page erase time into shorter chunks to prevent longer CPU stalls in time-critical applications. Partial erase is only applicable to the code area in flash memory and does not work with UICR.

When erase is enabled, the partial erase of a flash page can be started by writing to [ERASEPAGEPARTIAL](#) on page 28. The duration of a partial erase can be configured in [ERASEPAGEPARTIALCFG](#) on page 28. A flash page is erased when its erase time reaches $t_{ERASEPAGE}$. Use [ERASEPAGEPARTIAL](#) N number of times so that $N * ERASEPAGEPARTIALCFG \geq t_{ERASEPAGE}$, where $N * ERASEPAGEPARTIALCFG$ gives the cumulative (total) erase time. Every time the cumulative erase time reaches $t_{ERASEPAGE}$, it counts as one erase cycle.

After the erase is complete, all bits in the page are set to 1. The CPU is halted if the CPU executes code from the flash while the NVMC performs the partial erase operation.

The bits in the page are undefined if the flash page erase is incomplete, i.e. if a partial erase has started but the total erase time is less than $t_{ERASEPAGE}$.

4.3.9 Cache

An instruction cache (I-Cache) can be enabled for the ICODE bus in the NVMC.

A cache hit is an instruction fetch from the cache, and it has a 0 wait-state delay. The number of wait-states for a cache miss, where the instruction is not available in the cache and needs to be fetched from flash, is shown in [CPU](#) on page 18.

Enabling the cache can increase CPU performance and reduce power consumption by reducing the number of wait cycles and the number of flash accesses. This will depend on the cache hit rate. Cache will use some current when enabled. If the reduction in average current due to reduced flash accesses is larger than the cache power requirement, the average current to execute the program code will decrease.

When disabled, the cache does not use current and does not retain its content.

It is possible to enable cache profiling to analyze the performance of the cache for your program using the [ICACHECNF](#) register. When profiling is enabled, the [IHIT](#) and [IMISS](#) registers are incremented for every instruction cache hit or miss, respectively. The hit and miss profiling registers do not wrap around after reaching the maximum value. If the maximum value is reached, consider profiling for a shorter duration to get correct numbers.

4.3.10 Registers

Base address	Peripheral	Instance	Description	Configuration
0x4001E000	NVMC	NVMC	Non-volatile memory controller	

Table 6: Instances

Register	Offset	Description	
READY	0x400	Ready flag	
READYNEXT	0x408	Ready flag	
CONFIG	0x504	Configuration register	
ERASEPAGE	0x508	Register for erasing a page in code area	
ERASEPCR1	0x508	Register for erasing a page in code area, equivalent to ERASEPAGE	Deprecated
ERASEALL	0x50C	Register for erasing all non-volatile user memory	
ERASEPCRO	0x510	Register for erasing a page in code area, equivalent to ERASEPAGE	Deprecated
ERASEUICR	0x514	Register for erasing user information configuration registers	

Register	Offset	Description
ERASEPAGEPARTIAL	0x518	Register for partial erase of a page in code area
ERASEPAGEPARTIALCFG	0x51C	Register for partial erase configuration
ICACHECNF	0x540	I-code cache configuration register
IHIT	0x548	I-code cache hit counter
IMISS	0x54C	I-code cache miss counter

Table 7: Register overview

4.3.10.1 READY

Address offset: 0x400

Ready flag

Bit number	31 30 29 28 27 26 25 24 23 22 21 20 19 18 17 16 15 14 13 12 11 10 9 8 7 6 5 4 3 2 1 0																														
ID	A																														
Reset 0x00000001	0 1																														
ID	Acce Field	Value ID	Value	Description																											
A	R	READY		NVMC is ready or busy																											
		Busy	0	NVMC is busy (on-going write or erase operation)																											
		Ready	1	NVMC is ready																											

4.3.10.2 READYNEXT

Address offset: 0x408

Ready flag

Bit number	31 30 29 28 27 26 25 24 23 22 21 20 19 18 17 16 15 14 13 12 11 10 9 8 7 6 5 4 3 2 1 0																														
ID	A																														
Reset 0x00000001	0 1																														
ID	Acce Field	Value ID	Value	Description																											
A	R	READYNEXT		NVMC can accept a new write operation																											
		Busy	0	NVMC cannot accept any write operation																											
		Ready	1	NVMC is ready																											

4.3.10.3 CONFIG

Address offset: 0x504

Configuration register

Bit number	31 30 29 28 27 26 25 24 23 22 21 20 19 18 17 16 15 14 13 12 11 10 9 8 7 6 5 4 3 2 1 0																														
ID	A A																														
Reset 0x00000000	0 0																														
ID	Acce Field	Value ID	Value	Description																											
A	RW	WEN		Program memory access mode. It is strongly recommended to only activate erase and write modes when they are actively used.																											
		Ren	0	Read only access																											
		Wen	1	Write enabled																											
		Een	2	Erase enabled																											

4.3.10.4 ERASEPAGE

Address offset: 0x508

Register for erasing a page in code area

Bit number	31	30	29	28	27	26	25	24	23	22	21	20	19	18	17	16	15	14	13	12	11	10	9	8	7	6	5	4	3	2	1	0
ID	A	A	A	A	A	A	A	A	A	A	A	A	A	A	A	A	A	A	A	A	A	A	A	A	A	A	A	A	A	A	A	A
Reset 0x00000000	0	0	0	0	0	0	0	0	0	0	0	0	0	0	0	0	0	0	0	0	0	0	0	0	0	0	0	0	0	0	0	
ID	Acce	Field	Value ID	Value	Description																											
A	W	ERASEPAGE			Register for starting erase of a page in code area																											
					The value is the address to the page to be erased. (Addresses of first word in page). The erase must be enabled using CONFIG.WEN before the page can be erased. Attempts to erase pages that are outside the code area may result in undesirable behavior, e.g. the wrong page may be erased.																											

4.3.10.5 ERASEPCR1 (Deprecated)

Address offset: 0x508

Register for erasing a page in code area, equivalent to ERASEPAGE

Bit number	31	30	29	28	27	26	25	24	23	22	21	20	19	18	17	16	15	14	13	12	11	10	9	8	7	6	5	4	3	2	1	0
ID	A	A	A	A	A	A	A	A	A	A	A	A	A	A	A	A	A	A	A	A	A	A	A	A	A	A	A	A	A	A	A	
Reset 0x00000000	0	0	0	0	0	0	0	0	0	0	0	0	0	0	0	0	0	0	0	0	0	0	0	0	0	0	0	0	0	0	0	
ID	Acce	Field	Value ID	Value	Description																											
A	W	ERASEPCR1			Register for erasing a page in code area, equivalent to ERASEPAGE																											

4.3.10.6 ERASEALL

Address offset: 0x50C

Register for erasing all non-volatile user memory

Bit number	31	30	29	28	27	26	25	24	23	22	21	20	19	18	17	16	15	14	13	12	11	10	9	8	7	6	5	4	3	2	1	0
ID																															A	
Reset 0x00000000	0	0	0	0	0	0	0	0	0	0	0	0	0	0	0	0	0	0	0	0	0	0	0	0	0	0	0	0	0	0	0	
ID	Acce	Field	Value ID	Value	Description																											
A	W	ERASEALL			Erase all non-volatile memory including UICR registers. The erase must be enabled using CONFIG.WEN before the non-volatile memory can be erased.																											
			NoOperation	0	No operation																											
			Erase	1	Start chip erase																											

4.3.10.7 ERASEPCR0 (Deprecated)

Address offset: 0x510

Register for erasing a page in code area, equivalent to ERASEPAGE

Bit number	31	30	29	28	27	26	25	24	23	22	21	20	19	18	17	16	15	14	13	12	11	10	9	8	7	6	5	4	3	2	1	0
ID	A	A	A	A	A	A	A	A	A	A	A	A	A	A	A	A	A	A	A	A	A	A	A	A	A	A	A	A	A	A	A	A
Reset 0x00000000	0	0	0	0	0	0	0	0	0	0	0	0	0	0	0	0	0	0	0	0	0	0	0	0	0	0	0	0	0	0	0	
ID	Acce Field	Value ID	Value	Description																												
A	W	ERASEPCRO		Register for starting erase of a page in code area, equivalent to ERASEPAGE																												

4.3.10.8 ERASEUICR

Address offset: 0x514

Register for erasing user information configuration registers

Bit number	31	30	29	28	27	26	25	24	23	22	21	20	19	18	17	16	15	14	13	12	11	10	9	8	7	6	5	4	3	2	1	0
ID																																A
Reset 0x00000000	0	0	0	0	0	0	0	0	0	0	0	0	0	0	0	0	0	0	0	0	0	0	0	0	0	0	0	0	0	0	0	
ID	Acce Field	Value ID	Value	Description																												
A	W	ERASEUICR		Register starting erase of all user information configuration registers. The erase must be enabled using CONFIG.WEN before the UICR can be erased.																												
		NoOperation	0	No operation																												
		Erase	1	Start erase of UICR																												

4.3.10.9 ERASEPAGEPARTIAL

Address offset: 0x518

Register for partial erase of a page in code area

Bit number	31	30	29	28	27	26	25	24	23	22	21	20	19	18	17	16	15	14	13	12	11	10	9	8	7	6	5	4	3	2	1	0
ID	A	A	A	A	A	A	A	A	A	A	A	A	A	A	A	A	A	A	A	A	A	A	A	A	A	A	A	A	A	A	A	
Reset 0x00000000	0	0	0	0	0	0	0	0	0	0	0	0	0	0	0	0	0	0	0	0	0	0	0	0	0	0	0	0	0	0	0	
ID	Acce Field	Value ID	Value	Description																												
A	W	ERASEPAGEPARTIAL		Register for starting partial erase of a page in code area																												
				The value is the address to the page to be partially erased (address of the first word in page). The erase must be enabled using CONFIG.WEN before every erase page partial and disabled using CONFIG.WEN after every erase page partial. Attempts to erase pages that are outside the code area may result in undesirable behavior, e.g. the wrong page may be erased.																												

4.3.10.10 ERASEPAGEPARTIALCFG

Address offset: 0x51C

Register for partial erase configuration

Bit number	31	30	29	28	27	26	25	24	23	22	21	20	19	18	17	16	15	14	13	12	11	10	9	8	7	6	5	4	3	2	1	0
ID																											A	A	A	A	A	A
Reset 0x0000000A	0 1 0 1 0																															
ID	Acce Field	Value ID	Value	Description																												
A	RW DURATION			Duration of the partial erase in milliseconds																												
				The user must ensure that the total erase time is long enough for a complete erase of the flash page.																												

4.3.10.11 ICACHECNF

Address offset: 0x540

I-code cache configuration register

Bit number	31	30	29	28	27	26	25	24	23	22	21	20	19	18	17	16	15	14	13	12	11	10	9	8	7	6	5	4	3	2	1	0																										
ID																											B																															A
Reset 0x00000000	0 0																																																									
ID	Acce Field	Value ID	Value	Description																																																						
A	RW CACHEEN			Cache enable																																																						
		Disabled	0	Disable cache. Invalidates all cache entries.																																																						
		Enabled	1	Enable cache																																																						
B	RW CACHEPROFEN			Cache profiling enable																																																						
		Disabled	0	Disable cache profiling																																																						
		Enabled	1	Enable cache profiling																																																						

4.3.10.12 IHIT

Address offset: 0x548

I-code cache hit counter

Bit number	31	30	29	28	27	26	25	24	23	22	21	20	19	18	17	16	15	14	13	12	11	10	9	8	7	6	5	4	3	2	1	0
ID	A	A	A	A	A	A	A	A	A	A	A	A	A	A	A	A	A	A	A	A	A	A	A	A	A	A	A	A	A	A	A	A
Reset 0x00000000	0 0																															
ID	Acce Field	Value ID	Value	Description																												
A	RW HITS			Number of cache hits.																												
				Register is writable, but only to '0'.																												

4.3.10.13 IMISS

Address offset: 0x54C

I-code cache miss counter

Bit number	31	30	29	28	27	26	25	24	23	22	21	20	19	18	17	16	15	14	13	12	11	10	9	8	7	6	5	4	3	2	1	0
ID	A	A	A	A	A	A	A	A	A	A	A	A	A	A	A	A	A	A	A	A	A	A	A	A	A	A	A	A	A	A	A	
Reset 0x00000000	0 0																															
ID	Acce Field	Value ID	Value	Description																												
A	RW MISSES			Number of cache misses.																												
				Register is writable, but only to '0'.																												

4.3.11 Electrical specification

4.3.11.1 Flash programming

Symbol	Description	Min.	Typ.	Max.	Units
n_{WRITE}	Number of times a 32-bit word can be written before erase			2	
$n_{\text{ENDURANCE}}$	Erase cycles per page	10000			
t_{WRITE}	Time to write one 32-bit word			42.5 ¹	µs
$t_{\text{ERASEPAGE}}$	Time to erase one page			87.5 ¹	ms
t_{ERASEALL}	Time to erase all flash			173 ¹	ms
$t_{\text{ERASEPAGEPARTIAL,acc}}$	Accuracy of the partial page erase duration. Total execution time for one partial page erase is defined as $\text{ERASEPAGEPARTIALCFG} * t_{\text{ERASEPAGEPARTIAL,acc}}$			1.09 ¹	

4.3.11.2 Cache size

Symbol	Description	Min.	Typ.	Max.	Units
Size _I CODE	I-Code cache size		2048		Bytes

4.4 FICR — Factory information configuration registers

Factory information configuration registers (FICR) are pre-programmed in factory and cannot be erased by the user. These registers contain chip-specific information and configuration.

4.4.1 Registers

Base address	Peripheral	Instance	Description	Configuration
0x10000000	FICR	FICR	Factory information configuration	

Table 8: Instances

Register	Offset	Description
CODEPAGESIZE	0x010	Code memory page size
CODESIZE	0x014	Code memory size
DEVICEID[0]	0x060	Device identifier
DEVICEID[1]	0x064	Device identifier
ER[0]	0x080	Encryption root, word 0
ER[1]	0x084	Encryption root, word 1
ER[2]	0x088	Encryption root, word 2
ER[3]	0x08C	Encryption root, word 3
IR[0]	0x090	Identity Root, word 0
IR[1]	0x094	Identity Root, word 1
IR[2]	0x098	Identity Root, word 2
IR[3]	0x09C	Identity Root, word 3
DEVICEADDRTYPE	0x0A0	Device address type
DEVICEADDR[0]	0x0A4	Device address 0
DEVICEADDR[1]	0x0A8	Device address 1
INFO.PART	0x100	Part code

¹ Applies when HF_{FXO} is used. Timing varies according to HF_{INT} accuracy when HF_{INT} is used.

Register	Offset	Description
INFO.VARIANT	0x104	Build code (hardware version and production configuration)
INFO.PACKAGE	0x108	Package option
INFO.RAM	0x10C	RAM variant
INFO.FLASH	0x110	Flash variant
INFO.UNUSED8[0]	0x114	Reserved
INFO.UNUSED8[1]	0x118	Reserved
INFO.UNUSED8[2]	0x11C	Reserved
PRODTTEST[0]	0x350	Production test signature 0
PRODTTEST[1]	0x354	Production test signature 1
PRODTTEST[2]	0x358	Production test signature 2
TEMP.A0	0x404	Slope definition A0
TEMP.A1	0x408	Slope definition A1
TEMP.A2	0x40C	Slope definition A2
TEMP.A3	0x410	Slope definition A3
TEMP.A4	0x414	Slope definition A4
TEMP.A5	0x418	Slope definition A5
TEMP.B0	0x41C	Y-intercept B0
TEMP.B1	0x420	Y-intercept B1
TEMP.B2	0x424	Y-intercept B2
TEMP.B3	0x428	Y-intercept B3
TEMP.B4	0x42C	Y-intercept B4
TEMP.B5	0x430	Y-intercept B5
TEMP.T0	0x434	Segment end T0
TEMP.T1	0x438	Segment end T1
TEMP.T2	0x43C	Segment end T2
TEMP.T3	0x440	Segment end T3
TEMP.T4	0x444	Segment end T4
NFC.TAGHEADER0	0x450	Default header for NFC tag. Software can read these values to populate NFCID1_3RD_LAST, NFCID1_2ND_LAST, and NFCID1_LAST.
NFC.TAGHEADER1	0x454	Default header for NFC tag. Software can read these values to populate NFCID1_3RD_LAST, NFCID1_2ND_LAST, and NFCID1_LAST.
NFC.TAGHEADER2	0x458	Default header for NFC tag. Software can read these values to populate NFCID1_3RD_LAST, NFCID1_2ND_LAST, and NFCID1_LAST.
NFC.TAGHEADER3	0x45C	Default header for NFC tag. Software can read these values to populate NFCID1_3RD_LAST, NFCID1_2ND_LAST, and NFCID1_LAST.

Table 9: Register overview

4.4.1.1 CODEPAGESIZE

Address offset: 0x010

Code memory page size

Bit number	31	30	29	28	27	26	25	24	23	22	21	20	19	18	17	16	15	14	13	12	11	10	9	8	7	6	5	4	3	2	1	0
ID	A	A	A	A	A	A	A	A	A	A	A	A	A	A	A	A	A	A	A	A	A	A	A	A	A	A	A	A	A	A	A	
Reset 0xFFFFFFFF	1	1	1	1	1	1	1	1	1	1	1	1	1	1	1	1	1	1	1	1	1	1	1	1	1	1	1	1	1	1	1	
ID	Acce	Field	Value	ID	Value	Description																										
A	R	CODEPAGESIZE				Code memory page size																										

4.4.1.2 CODESIZE

Address offset: 0x014

Code memory size

Bit number	31	30	29	28	27	26	25	24	23	22	21	20	19	18	17	16	15	14	13	12	11	10	9	8	7	6	5	4	3	2	1	0
ID	A	A	A	A	A	A	A	A	A	A	A	A	A	A	A	A	A	A	A	A	A	A	A	A	A	A	A	A	A	A	A	A
Reset 0xFFFFFFFF	1	1	1	1	1	1	1	1	1	1	1	1	1	1	1	1	1	1	1	1	1	1	1	1	1	1	1	1	1	1	1	
ID	Acce Field	Value ID	Value	Description																												
A	R	CODESIZE		Code memory size in number of pages Total code space is: CODEPAGESIZE * CODESIZE																												

4.4.1.3 DEVICEID[n] (n=0..1)

Address offset: 0x060 + (n × 0x4)

Device identifier

Bit number	31	30	29	28	27	26	25	24	23	22	21	20	19	18	17	16	15	14	13	12	11	10	9	8	7	6	5	4	3	2	1	0
ID	A	A	A	A	A	A	A	A	A	A	A	A	A	A	A	A	A	A	A	A	A	A	A	A	A	A	A	A	A	A	A	
Reset 0xFFFFFFFF	1	1	1	1	1	1	1	1	1	1	1	1	1	1	1	1	1	1	1	1	1	1	1	1	1	1	1	1	1	1	1	
ID	Acce Field	Value ID	Value	Description																												
A	R	DEVICEID		64 bit unique device identifier DEVICEID[0] contains the least significant bits of the device identifier. DEVICEID[1] contains the most significant bits of the device identifier.																												

4.4.1.4 ER[n] (n=0..3)

Address offset: 0x080 + (n × 0x4)

Encryption root, word n

Bit number	31	30	29	28	27	26	25	24	23	22	21	20	19	18	17	16	15	14	13	12	11	10	9	8	7	6	5	4	3	2	1	0
ID	A	A	A	A	A	A	A	A	A	A	A	A	A	A	A	A	A	A	A	A	A	A	A	A	A	A	A	A	A	A	A	
Reset 0xFFFFFFFF	1	1	1	1	1	1	1	1	1	1	1	1	1	1	1	1	1	1	1	1	1	1	1	1	1	1	1	1	1	1	1	
ID	Acce Field	Value ID	Value	Description																												
A	R	ER		Encryption root, word n																												

4.4.1.5 IR[n] (n=0..3)

Address offset: 0x090 + (n × 0x4)

Identity Root, word n

Bit number	31	30	29	28	27	26	25	24	23	22	21	20	19	18	17	16	15	14	13	12	11	10	9	8	7	6	5	4	3	2	1	0
ID	A	A	A	A	A	A	A	A	A	A	A	A	A	A	A	A	A	A	A	A	A	A	A	A	A	A	A	A	A	A	A	
Reset 0xFFFFFFFF	1	1	1	1	1	1	1	1	1	1	1	1	1	1	1	1	1	1	1	1	1	1	1	1	1	1	1	1	1	1	1	
ID	Acce Field	Value ID	Value	Description																												
A	R	IR		Identity Root, word n																												

4.4.1.6 DEVICEADDRTYPE

Address offset: 0x0A0

Device address type

Bit number	31	30	29	28	27	26	25	24	23	22	21	20	19	18	17	16	15	14	13	12	11	10	9	8	7	6	5	4	3	2	1	0
ID																																A
Reset 0xFFFFFFFF	1 1																															
ID	Acce	Field	Value ID	Value	Description																											
A	R	DEVICEADDRTYPE			Device address type																											
			Public	0	Public address																											
			Random	1	Random address																											

4.4.1.7 DEVICEADDR[n] (n=0..1)

Address offset: 0x0A4 + (n × 0x4)

Device address n

Bit number	31	30	29	28	27	26	25	24	23	22	21	20	19	18	17	16	15	14	13	12	11	10	9	8	7	6	5	4	3	2	1	0
ID	A	A	A	A	A	A	A	A	A	A	A	A	A	A	A	A	A	A	A	A	A	A	A	A	A	A	A	A	A	A	A	A
Reset 0xFFFFFFFF	1 1																															
ID	Acce	Field	Value ID	Value	Description																											
A	R	DEVICEADDR			48 bit device address																											
					DEVICEADDR[0] contains the least significant bits of the device address. DEVICEADDR[1] contains the most significant bits of the device address. Only bits [15:0] of DEVICEADDR[1] are used.																											

4.4.1.8 INFO.PART

Address offset: 0x100

Part code

Bit number	31	30	29	28	27	26	25	24	23	22	21	20	19	18	17	16	15	14	13	12	11	10	9	8	7	6	5	4	3	2	1	0
ID	A	A	A	A	A	A	A	A	A	A	A	A	A	A	A	A	A	A	A	A	A	A	A	A	A	A	A	A	A	A	A	
Reset 0x00052833	0 0 0 0 0 0 0 0 0 0 0 0 0 0 1 0 1 0 0 1 0 1 0 0 0 0 0 0 1 1 0 0 1 1																															
ID	Acce	Field	Value ID	Value	Description																											
A	R	PART			Part code																											
			N52820	0x52820	nRF52820																											
			N52833	0x52833	nRF52833																											
			N52840	0x52840	nRF52840																											
			Unspecified	0xFFFFFFFF	Unspecified																											

4.4.1.9 INFO.VARIANT

Address offset: 0x104

Build code (hardware version and production configuration)

Bit number	31	30	29	28	27	26	25	24	23	22	21	20	19	18	17	16	15	14	13	12	11	10	9	8	7	6	5	4	3	2	1	0
ID	A	A	A	A	A	A	A	A	A	A	A	A	A	A	A	A	A	A	A	A	A	A	A	A	A	A	A	A	A	A	A	
Reset 0xFFFFFFFF	1 1																															
ID	Acce	Field	Value ID	Value	Description																											
A	R	VARIANT			Build code (hardware version and production configuration). Encoded as ASCII.																											
			AAAA	0x41414141	AAAA																											
			AAAB	0x41414142	AAAB																											

Bit number	31	30	29	28	27	26	25	24	23	22	21	20	19	18	17	16	15	14	13	12	11	10	9	8	7	6	5	4	3	2	1	0
ID	A	A	A	A	A	A	A	A	A	A	A	A	A	A	A	A	A	A	A	A	A	A	A	A	A	A	A	A	A	A	A	A
Reset 0xFFFFFFFF	1	1	1	1	1	1	1	1	1	1	1	1	1	1	1	1	1	1	1	1	1	1	1	1	1	1	1	1	1	1	1	
ID	Acce	Field	Value ID	Value	Description																											
			AAA0	0x41414130	AAA0																											
			AAA1	0x41414131	AAA1																											
			AAB0	0x41414230	AAB0																											
			Unspecified	0xFFFFFFFF	Unspecified																											

4.4.1.10 INFO.PACKAGE

Address offset: 0x108

Package option

Bit number	31	30	29	28	27	26	25	24	23	22	21	20	19	18	17	16	15	14	13	12	11	10	9	8	7	6	5	4	3	2	1	0
ID	A	A	A	A	A	A	A	A	A	A	A	A	A	A	A	A	A	A	A	A	A	A	A	A	A	A	A	A	A	A	A	
Reset 0xFFFFFFFF	1	1	1	1	1	1	1	1	1	1	1	1	1	1	1	1	1	1	1	1	1	1	1	1	1	1	1	1	1	1	1	
ID	Acce	Field	Value ID	Value	Description																											
A	R	PACKAGE			Package option																											
			QD	0x2007	QDxx - 5x5 40-pin QFN																											
			QI	0x2004	QIxx - 7x7 73-pin aQFN																											
			CJ	0x2008	CJxx - 3.175 x 3.175 WLCSP																											
			Unspecified	0xFFFFFFFF	Unspecified																											

4.4.1.11 INFO.RAM

Address offset: 0x10C

RAM variant

Bit number	31	30	29	28	27	26	25	24	23	22	21	20	19	18	17	16	15	14	13	12	11	10	9	8	7	6	5	4	3	2	1	0
ID	A	A	A	A	A	A	A	A	A	A	A	A	A	A	A	A	A	A	A	A	A	A	A	A	A	A	A	A	A	A	A	
Reset 0xFFFFFFFF	1	1	1	1	1	1	1	1	1	1	1	1	1	1	1	1	1	1	1	1	1	1	1	1	1	1	1	1	1	1	1	
ID	Acce	Field	Value ID	Value	Description																											
A	R	RAM			RAM variant																											
			K16	0x10	16 kByte RAM																											
			K32	0x20	32 kByte RAM																											
			K64	0x40	64 kByte RAM																											
			K128	0x80	128 kByte RAM																											
			K256	0x100	256 kByte RAM																											
			Unspecified	0xFFFFFFFF	Unspecified																											

4.4.1.12 INFO.FLASH

Address offset: 0x110

Flash variant

Bit number	31 30 29 28 27 26 25 24 23 22 21 20 19 18 17 16 15 14 13 12 11 10 9 8 7 6 5 4 3 2 1 0																															
ID	A A																															
Reset 0xFFFFFFFF	1 1																															
ID	Acce Field	Value ID	Value	Description																												
A	R FLASH			Flash variant																												
		K128	0x80	128 kByte FLASH																												
		K256	0x100	256 kByte FLASH																												
		K512	0x200	512 kByte FLASH																												
		K1024	0x400	1 MByte FLASH																												
		K2048	0x800	2 MByte FLASH																												
		Unspecified	0xFFFFFFFF	Unspecified																												

4.4.1.13 PRODTTEST[n] (n=0..2)

Address offset: 0x350 + (n × 0x4)

Production test signature n

Bit number	31 30 29 28 27 26 25 24 23 22 21 20 19 18 17 16 15 14 13 12 11 10 9 8 7 6 5 4 3 2 1 0																															
ID	A A																															
Reset 0xFFFFFFFF	1 1																															
ID	Acce Field	Value ID	Value	Description																												
A	R PRODTTEST			Production test signature n																												
		Done	0xBB42319F	Production tests done																												
		NotDone	0xFFFFFFFF	Production tests not done																												

4.4.1.14 TEMP.A0

Address offset: 0x404

Slope definition A0

Bit number	31 30 29 28 27 26 25 24 23 22 21 20 19 18 17 16 15 14 13 12 11 10 9 8 7 6 5 4 3 2 1 0																															
ID	A A																															
Reset 0xFFFFFFFF	1 1																															
ID	Acce Field	Value ID	Value	Description																												
A	R A			A (slope definition) register.																												

4.4.1.15 TEMP.A1

Address offset: 0x408

Slope definition A1

Bit number	31 30 29 28 27 26 25 24 23 22 21 20 19 18 17 16 15 14 13 12 11 10 9 8 7 6 5 4 3 2 1 0																															
ID	A A																															
Reset 0xFFFFFFFF	1 1																															
ID	Acce Field	Value ID	Value	Description																												
A	R A			A (slope definition) register.																												

4.4.1.16 TEMP.A2

Address offset: 0x40C

Slope definition A2

Bit number	31	30	29	28	27	26	25	24	23	22	21	20	19	18	17	16	15	14	13	12	11	10	9	8	7	6	5	4	3	2	1	0																					
ID																							A	A	A	A	A	A	A	A	A	A	A	A	A	A	A	A	A	A	A	A	A	A	A	A	A	A	A	A	A	A	A
Reset 0xFFFFFFFF																							1	1	1	1	1	1	1	1	1	1	1	1	1	1	1	1	1	1	1	1	1	1	1	1	1	1	1	1	1	1	1
ID	Acce	Field	Value ID	Value	Description																																																
A	R	A			A (slope definition) register.																																																

4.4.1.17 TEMP.A3

Address offset: 0x410

Slope definition A3

Bit number	31	30	29	28	27	26	25	24	23	22	21	20	19	18	17	16	15	14	13	12	11	10	9	8	7	6	5	4	3	2	1	0																					
ID																							A	A	A	A	A	A	A	A	A	A	A	A	A	A	A	A	A	A	A	A	A	A	A	A	A	A	A	A	A	A	
Reset 0xFFFFFFFF																							1	1	1	1	1	1	1	1	1	1	1	1	1	1	1	1	1	1	1	1	1	1	1	1	1	1	1	1	1	1	1
ID	Acce	Field	Value ID	Value	Description																																																
A	R	A			A (slope definition) register.																																																

4.4.1.18 TEMP.A4

Address offset: 0x414

Slope definition A4

Bit number	31	30	29	28	27	26	25	24	23	22	21	20	19	18	17	16	15	14	13	12	11	10	9	8	7	6	5	4	3	2	1	0																					
ID																							A	A	A	A	A	A	A	A	A	A	A	A	A	A	A	A	A	A	A	A	A	A	A	A	A	A	A	A	A	A	
Reset 0xFFFFFFFF																							1	1	1	1	1	1	1	1	1	1	1	1	1	1	1	1	1	1	1	1	1	1	1	1	1	1	1	1	1	1	1
ID	Acce	Field	Value ID	Value	Description																																																
A	R	A			A (slope definition) register.																																																

4.4.1.19 TEMP.A5

Address offset: 0x418

Slope definition A5

Bit number	31	30	29	28	27	26	25	24	23	22	21	20	19	18	17	16	15	14	13	12	11	10	9	8	7	6	5	4	3	2	1	0																					
ID																							A	A	A	A	A	A	A	A	A	A	A	A	A	A	A	A	A	A	A	A	A	A	A	A	A	A	A	A	A	A	
Reset 0xFFFFFFFF																							1	1	1	1	1	1	1	1	1	1	1	1	1	1	1	1	1	1	1	1	1	1	1	1	1	1	1	1	1	1	1
ID	Acce	Field	Value ID	Value	Description																																																
A	R	A			A (slope definition) register.																																																

4.4.1.20 TEMP.B0

Address offset: 0x41C

Y-intercept B0

Bit number	31	30	29	28	27	26	25	24	23	22	21	20	19	18	17	16	15	14	13	12	11	10	9	8	7	6	5	4	3	2	1	0																					
ID																								A	A	A	A	A	A	A	A	A	A	A	A	A	A	A	A	A	A	A	A	A	A	A	A	A	A	A	A	A	A
Reset 0xFFFFFFFF	1	1	1	1	1	1	1	1	1	1	1	1	1	1	1	1	1	1	1	1	1	1	1	1	1	1	1	1	1	1	1	1																					
ID	Acce	Field	Value ID	Value	Description																																																
A	R	B				B (y-intercept)																																															

4.4.1.21 TEMP.B1

Address offset: 0x420

Y-intercept B1

Bit number	31	30	29	28	27	26	25	24	23	22	21	20	19	18	17	16	15	14	13	12	11	10	9	8	7	6	5	4	3	2	1	0																				
ID																								A	A	A	A	A	A	A	A	A	A	A	A	A	A	A	A	A	A	A	A	A	A	A	A	A	A	A	A	A
Reset 0xFFFFFFFF	1	1	1	1	1	1	1	1	1	1	1	1	1	1	1	1	1	1	1	1	1	1	1	1	1	1	1	1	1	1	1	1																				
ID	Acce	Field	Value ID	Value	Description																																															
A	R	B				B (y-intercept)																																														

4.4.1.22 TEMP.B2

Address offset: 0x424

Y-intercept B2

Bit number	31	30	29	28	27	26	25	24	23	22	21	20	19	18	17	16	15	14	13	12	11	10	9	8	7	6	5	4	3	2	1	0																				
ID																								A	A	A	A	A	A	A	A	A	A	A	A	A	A	A	A	A	A	A	A	A	A	A	A	A	A	A	A	A
Reset 0xFFFFFFFF	1	1	1	1	1	1	1	1	1	1	1	1	1	1	1	1	1	1	1	1	1	1	1	1	1	1	1	1	1	1	1	1																				
ID	Acce	Field	Value ID	Value	Description																																															
A	R	B				B (y-intercept)																																														

4.4.1.23 TEMP.B3

Address offset: 0x428

Y-intercept B3

Bit number	31	30	29	28	27	26	25	24	23	22	21	20	19	18	17	16	15	14	13	12	11	10	9	8	7	6	5	4	3	2	1	0																				
ID																								A	A	A	A	A	A	A	A	A	A	A	A	A	A	A	A	A	A	A	A	A	A	A	A	A	A	A	A	A
Reset 0xFFFFFFFF	1	1	1	1	1	1	1	1	1	1	1	1	1	1	1	1	1	1	1	1	1	1	1	1	1	1	1	1	1	1	1	1																				
ID	Acce	Field	Value ID	Value	Description																																															
A	R	B				B (y-intercept)																																														

4.4.1.24 TEMP.B4

Address offset: 0x42C

Y-intercept B4

Bit number	31	30	29	28	27	26	25	24	23	22	21	20	19	18	17	16	15	14	13	12	11	10	9	8	7	6	5	4	3	2	1	0																				
ID																								A	A	A	A	A	A	A	A	A	A	A	A	A	A	A	A	A	A	A	A	A	A	A	A	A	A	A	A	A
Reset 0xFFFFFFFF	1	1	1	1	1	1	1	1	1	1	1	1	1	1	1	1	1	1	1	1	1	1	1	1	1	1	1	1	1	1	1	1																				
ID	Acce	Field	Value ID	Value	Description																																															
A	R	B				B (y-intercept)																																														

4.4.1.25 TEMP.B5

Address offset: 0x430

Y-intercept B5

Bit number	31	30	29	28	27	26	25	24	23	22	21	20	19	18	17	16	15	14	13	12	11	10	9	8	7	6	5	4	3	2	1	0																					
ID																								A	A	A	A	A	A	A	A	A	A	A	A	A	A	A	A	A	A	A	A	A	A	A	A	A	A	A	A	A	A
Reset 0xFFFFFFFF	1	1	1	1	1	1	1	1	1	1	1	1	1	1	1	1	1	1	1	1	1	1	1	1	1	1	1	1	1	1	1																						
ID	Acce Field	Value ID	Value	Description																																																	
A	R	B		B (y-intercept)																																																	

4.4.1.26 TEMP.T0

Address offset: 0x434

Segment end T0

Bit number	31	30	29	28	27	26	25	24	23	22	21	20	19	18	17	16	15	14	13	12	11	10	9	8	7	6	5	4	3	2	1	0																				
ID																								A	A	A	A	A	A	A	A	A	A	A	A	A	A	A	A	A	A	A	A	A	A	A	A	A	A	A	A	A
Reset 0xFFFFFFFF	1	1	1	1	1	1	1	1	1	1	1	1	1	1	1	1	1	1	1	1	1	1	1	1	1	1	1	1	1	1	1																					
ID	Acce Field	Value ID	Value	Description																																																
A	R	T		T (segment end) register																																																

4.4.1.27 TEMP.T1

Address offset: 0x438

Segment end T1

Bit number	31	30	29	28	27	26	25	24	23	22	21	20	19	18	17	16	15	14	13	12	11	10	9	8	7	6	5	4	3	2	1	0																				
ID																								A	A	A	A	A	A	A	A	A	A	A	A	A	A	A	A	A	A	A	A	A	A	A	A	A	A	A	A	A
Reset 0xFFFFFFFF	1	1	1	1	1	1	1	1	1	1	1	1	1	1	1	1	1	1	1	1	1	1	1	1	1	1	1	1	1	1	1																					
ID	Acce Field	Value ID	Value	Description																																																
A	R	T		T (segment end) register																																																

4.4.1.28 TEMP.T2

Address offset: 0x43C

Segment end T2

Bit number	31	30	29	28	27	26	25	24	23	22	21	20	19	18	17	16	15	14	13	12	11	10	9	8	7	6	5	4	3	2	1	0																				
ID																								A	A	A	A	A	A	A	A	A	A	A	A	A	A	A	A	A	A	A	A	A	A	A	A	A	A	A	A	A
Reset 0xFFFFFFFF	1	1	1	1	1	1	1	1	1	1	1	1	1	1	1	1	1	1	1	1	1	1	1	1	1	1	1	1	1	1	1																					
ID	Acce Field	Value ID	Value	Description																																																
A	R	T		T (segment end) register																																																

4.4.1.29 TEMP.T3

Address offset: 0x440

Segment end T3

Bit number	31 30 29 28 27 26 25 24 23 22 21 20 19 18 17 16 15 14 13 12 11 10 9 8 7 6 5 4 3 2 1 0																														
ID	A A A A A A A A																														
Reset 0xFFFFFFFF	1 1																														
ID	Acce Field	Value ID	Value	Description																											
A	R	T		T (segment end) register																											

4.4.1.30 TEMPT4

Address offset: 0x444

Segment end T4

Bit number	31 30 29 28 27 26 25 24 23 22 21 20 19 18 17 16 15 14 13 12 11 10 9 8 7 6 5 4 3 2 1 0																														
ID	A A A A A A A A																														
Reset 0xFFFFFFFF	1 1																														
ID	Acce Field	Value ID	Value	Description																											
A	R	T		T (segment end) register																											

4.4.1.31 NFC.TAGHEADER0

Address offset: 0x450

Default header for NFC tag. Software can read these values to populate NFCID1_3RD_LAST, NFCID1_2ND_LAST, and NFCID1_LAST.

Bit number	31 30 29 28 27 26 25 24 23 22 21 20 19 18 17 16 15 14 13 12 11 10 9 8 7 6 5 4 3 2 1 0																														
ID	D D D D D D D D C C C C C C C C B B B B B B B B A A A A A A A A																														
Reset 0xFFFFFFFF5F	1 1																														
ID	Acce Field	Value ID	Value	Description																											
A	R	MFGID		Default Manufacturer ID: Nordic Semiconductor ASA has ICM 0x5F																											
B	R	UD1		Unique identifier byte 1																											
C	R	UD2		Unique identifier byte 2																											
D	R	UD3		Unique identifier byte 3																											

4.4.1.32 NFC.TAGHEADER1

Address offset: 0x454

Default header for NFC tag. Software can read these values to populate NFCID1_3RD_LAST, NFCID1_2ND_LAST, and NFCID1_LAST.

Bit number	31 30 29 28 27 26 25 24 23 22 21 20 19 18 17 16 15 14 13 12 11 10 9 8 7 6 5 4 3 2 1 0																														
ID	D D D D D D D D C C C C C C C C B B B B B B B B A A A A A A A A																														
Reset 0xFFFFFFFF	1 1																														
ID	Acce Field	Value ID	Value	Description																											
A-D	R	UD[i] (i=4..7)		Unique identifier byte i																											

4.4.1.33 NFC.TAGHEADER2

Address offset: 0x458

Default header for NFC tag. Software can read these values to populate NFCID1_3RD_LAST, NFCID1_2ND_LAST, and NFCID1_LAST.

Bit number	31	30	29	28	27	26	25	24	23	22	21	20	19	18	17	16	15	14	13	12	11	10	9	8	7	6	5	4	3	2	1	0
ID	D	D	D	D	D	D	D	D	C	C	C	C	C	C	C	B	B	B	B	B	B	B	B	B	A	A	A	A	A	A	A	A
Reset 0xFFFFFFFF	1	1	1	1	1	1	1	1	1	1	1	1	1	1	1	1	1	1	1	1	1	1	1	1	1	1	1	1	1	1	1	
ID	Acce Field	Value ID	Value	Description																												
A-D	R	UD[i] (i=8..11)		Unique identifier byte i																												

4.4.1.34 NFC.TAGHEADER3

Address offset: 0x45C

Default header for NFC tag. Software can read these values to populate NFCID1_3RD_LAST, NFCID1_2ND_LAST, and NFCID1_LAST.

Bit number	31	30	29	28	27	26	25	24	23	22	21	20	19	18	17	16	15	14	13	12	11	10	9	8	7	6	5	4	3	2	1	0
ID	D	D	D	D	D	D	D	D	C	C	C	C	C	C	C	B	B	B	B	B	B	B	B	B	B	A	A	A	A	A	A	A
Reset 0xFFFFFFFF	1	1	1	1	1	1	1	1	1	1	1	1	1	1	1	1	1	1	1	1	1	1	1	1	1	1	1	1	1	1	1	
ID	Acce Field	Value ID	Value	Description																												
A-D	R	UD[i] (i=12..15)		Unique identifier byte i																												

4.5 UICR — User information configuration registers

The user information configuration registers (UICRs) are non-volatile memory (NVM) registers for configuring user-specific settings.

For information on writing UICR registers, see the [NVMC — Non-volatile memory controller](#) on page 23 and [Memory](#) on page 19 chapters.

4.5.1 Registers

Base address	Peripheral	Instance	Description	Configuration
0x10001000	UICR	UICR	User information configuration	

Table 10: Instances

Register	Offset	Description
UNUSED0	0x000	Reserved
UNUSED1	0x004	Reserved
UNUSED2	0x008	Reserved
UNUSED3	0x010	Reserved
NRFFW[0]	0x014	Reserved for Nordic firmware design
NRFFW[1]	0x018	Reserved for Nordic firmware design
NRFFW[2]	0x01C	Reserved for Nordic firmware design
NRFFW[3]	0x020	Reserved for Nordic firmware design
NRFFW[4]	0x024	Reserved for Nordic firmware design
NRFFW[5]	0x028	Reserved for Nordic firmware design
NRFFW[6]	0x02C	Reserved for Nordic firmware design
NRFFW[7]	0x030	Reserved for Nordic firmware design
NRFFW[8]	0x034	Reserved for Nordic firmware design
NRFFW[9]	0x038	Reserved for Nordic firmware design
NRFFW[10]	0x03C	Reserved for Nordic firmware design
NRFFW[11]	0x040	Reserved for Nordic firmware design
NRFFW[12]	0x044	Reserved for Nordic firmware design

Register	Offset	Description
NRFHW[0]	0x050	Reserved for Nordic hardware design
NRFHW[1]	0x054	Reserved for Nordic hardware design
NRFHW[2]	0x058	Reserved for Nordic hardware design
NRFHW[3]	0x05C	Reserved for Nordic hardware design
NRFHW[4]	0x060	Reserved for Nordic hardware design
NRFHW[5]	0x064	Reserved for Nordic hardware design
NRFHW[6]	0x068	Reserved for Nordic hardware design
NRFHW[7]	0x06C	Reserved for Nordic hardware design
NRFHW[8]	0x070	Reserved for Nordic hardware design
NRFHW[9]	0x074	Reserved for Nordic hardware design
NRFHW[10]	0x078	Reserved for Nordic hardware design
NRFHW[11]	0x07C	Reserved for Nordic hardware design
CUSTOMER[0]	0x080	Reserved for customer
CUSTOMER[1]	0x084	Reserved for customer
CUSTOMER[2]	0x088	Reserved for customer
CUSTOMER[3]	0x08C	Reserved for customer
CUSTOMER[4]	0x090	Reserved for customer
CUSTOMER[5]	0x094	Reserved for customer
CUSTOMER[6]	0x098	Reserved for customer
CUSTOMER[7]	0x09C	Reserved for customer
CUSTOMER[8]	0x0A0	Reserved for customer
CUSTOMER[9]	0x0A4	Reserved for customer
CUSTOMER[10]	0x0A8	Reserved for customer
CUSTOMER[11]	0x0AC	Reserved for customer
CUSTOMER[12]	0x0B0	Reserved for customer
CUSTOMER[13]	0x0B4	Reserved for customer
CUSTOMER[14]	0x0B8	Reserved for customer
CUSTOMER[15]	0x0BC	Reserved for customer
CUSTOMER[16]	0x0C0	Reserved for customer
CUSTOMER[17]	0x0C4	Reserved for customer
CUSTOMER[18]	0x0C8	Reserved for customer
CUSTOMER[19]	0x0CC	Reserved for customer
CUSTOMER[20]	0x0D0	Reserved for customer
CUSTOMER[21]	0x0D4	Reserved for customer
CUSTOMER[22]	0x0D8	Reserved for customer
CUSTOMER[23]	0x0DC	Reserved for customer
CUSTOMER[24]	0x0E0	Reserved for customer
CUSTOMER[25]	0x0E4	Reserved for customer
CUSTOMER[26]	0x0E8	Reserved for customer
CUSTOMER[27]	0x0EC	Reserved for customer
CUSTOMER[28]	0x0F0	Reserved for customer
CUSTOMER[29]	0x0F4	Reserved for customer
CUSTOMER[30]	0x0F8	Reserved for customer
CUSTOMER[31]	0x0FC	Reserved for customer
PSELRESET[0]	0x200	Mapping of the nRESET function (see POWER chapter for details)
PSELRESET[1]	0x204	Mapping of the nRESET function (see POWER chapter for details)
APPROTECT	0x208	Access port protection
NFCPINS	0x20C	Setting of pins dedicated to NFC functionality: NFC antenna or GPIO
DEBUGCTRL	0x210	Processor debug control
REGOUT0	0x304	Output voltage from REG0 regulator stage. The maximum output voltage from this stage is given as VDDH - V_VDDH-VDD.

Table 11: Register overview

4.5.1.1 NRFFW[n] (n=0..12)

Address offset: $0x014 + (n \times 0x4)$

Reserved for Nordic firmware design

Bit number	31	30	29	28	27	26	25	24	23	22	21	20	19	18	17	16	15	14	13	12	11	10	9	8	7	6	5	4	3	2	1	0
ID	A	A	A	A	A	A	A	A	A	A	A	A	A	A	A	A	A	A	A	A	A	A	A	A	A	A	A	A	A	A	A	A
Reset 0xFFFFFFFF	1	1	1	1	1	1	1	1	1	1	1	1	1	1	1	1	1	1	1	1	1	1	1	1	1	1	1	1	1	1		
ID	Acce Field	Value ID	Value	Description																												
A	RW NRFFW			Reserved for Nordic firmware design																												

4.5.1.2 NRFHW[n] (n=0..11)

Address offset: $0x050 + (n \times 0x4)$

Reserved for Nordic hardware design

Bit number	31	30	29	28	27	26	25	24	23	22	21	20	19	18	17	16	15	14	13	12	11	10	9	8	7	6	5	4	3	2	1	0
ID	A	A	A	A	A	A	A	A	A	A	A	A	A	A	A	A	A	A	A	A	A	A	A	A	A	A	A	A	A	A	A	
Reset 0xFFFFFFFF	1	1	1	1	1	1	1	1	1	1	1	1	1	1	1	1	1	1	1	1	1	1	1	1	1	1	1	1	1	1		
ID	Acce Field	Value ID	Value	Description																												
A	RW NRFHW			Reserved for Nordic hardware design																												

4.5.1.3 CUSTOMER[n] (n=0..31)

Address offset: $0x080 + (n \times 0x4)$

Reserved for customer

Bit number	31	30	29	28	27	26	25	24	23	22	21	20	19	18	17	16	15	14	13	12	11	10	9	8	7	6	5	4	3	2	1	0
ID	A	A	A	A	A	A	A	A	A	A	A	A	A	A	A	A	A	A	A	A	A	A	A	A	A	A	A	A	A	A	A	
Reset 0xFFFFFFFF	1	1	1	1	1	1	1	1	1	1	1	1	1	1	1	1	1	1	1	1	1	1	1	1	1	1	1	1	1	1		
ID	Acce Field	Value ID	Value	Description																												
A	RW CUSTOMER			Reserved for customer																												

4.5.1.4 PSELRESET[n] (n=0..1)

Address offset: $0x200 + (n \times 0x4)$

Mapping of the nRESET function (see POWER chapter for details)

All PSELRESET registers have to contain the same value for a pin mapping to be valid. If values are not the same, there will be no nRESET function exposed on a GPIO. As a result, the device will always start independently of the levels present on any of the GPIOs.

Bit number	31	30	29	28	27	26	25	24	23	22	21	20	19	18	17	16	15	14	13	12	11	10	9	8	7	6	5	4	3	2	1	0
ID	C																B											A	A	A	A	
Reset 0xFFFFFFFF	1	1	1	1	1	1	1	1	1	1	1	1	1	1	1	1	1	1	1	1	1	1	1	1	1	1	1	1	1	1	1	
ID	Acce Field	Value ID	Value	Description																												
A	RW PIN		18	GPIO pin number onto which nRESET is exposed																												
B	RW PORT		0	Port number onto which nRESET is exposed																												
C	RW CONNECT			Connection																												
		Disconnected	1	Disconnect																												
		Connected	0	Connect																												

4.5.1.5 APPROTECT

Address offset: 0x208

Access port protection

Bit number	31 30 29 28 27 26 25 24 23 22 21 20 19 18 17 16 15 14 13 12 11 10 9 8 7 6 5 4 3 2 1 0																																																								
ID																															A	A	A	A	A	A	A	A	A	A	A	A	A	A	A	A	A	A	A	A	A	A	A	A	A	A	A
Reset 0xFFFFFFFF	1 1																																																								
ID	Acce Field	Value ID	Value	Description																																																					
A	RW PALL			Enable or disable access port protection.																																																					
		Disabled	0xFF	See Debug and trace on page 47 for more information.																																																					
		HwDisabled	0x5A	Hardware disable of access port protection for devices where access port protection is controlled by hardware																																																					
		Enabled	0x00	Hardware disable of access port protection for devices where access port protection is controlled by hardware and software Enable																																																					

4.5.1.6 NFCPINS

Address offset: 0x20C

Setting of pins dedicated to NFC functionality: NFC antenna or GPIO

Bit number	31 30 29 28 27 26 25 24 23 22 21 20 19 18 17 16 15 14 13 12 11 10 9 8 7 6 5 4 3 2 1 0																														
ID																															A
Reset 0xFFFFFFFF	1 1																														
ID	Acce Field	Value ID	Value	Description																											
A	RW PROTECT			Setting of pins dedicated to NFC functionality																											
		Disabled	0	Operation as GPIO pins. Same protection as normal GPIO pins.																											
		NFC	1	Operation as NFC antenna pins. Configures the protection for NFC operation.																											

4.5.1.7 DEBUGCTRL

Address offset: 0x210

Processor debug control

Bit number	31 30 29 28 27 26 25 24 23 22 21 20 19 18 17 16 15 14 13 12 11 10 9 8 7 6 5 4 3 2 1 0																																																								
ID																													B	B	B	B	B	B	B	B	B	B	B	B	B	B	B	B	B	B	B	B	B	B	B	B	B	B	B	B	B
Reset 0xFFFFFFFF	1 1																																																								
ID	Acce Field	Value ID	Value	Description																																																					
A	RW CPUNIDEN			Configure CPU non-intrusive debug features																																																					
		Enabled	0xFF	Enable CPU ITM and ETM functionality (default behavior)																																																					
		Disabled	0x00	Disable CPU ITM and ETM functionality																																																					
B	RW CPUFPBEN			Configure CPU flash patch and breakpoint (FPB) unit behavior																																																					
		Enabled	0xFF	Enable CPU FPB unit (default behavior)																																																					
		Disabled	0x00	Disable CPU FPB unit. Writes into the FPB registers will be ignored.																																																					

4.5.1.8 REGOUT0

Address offset: 0x304

Output voltage from REG0 regulator stage. The maximum output voltage from this stage is given as $V_{DDH} - V_{VDDH} - V_{DD}$.

Bit number	31 30 29 28 27 26 25 24 23 22 21 20 19 18 17 16 15 14 13 12 11 10 9 8 7 6 5 4 3 2 1 0																																
ID																															A	A	A
Reset 0xFFFFFFFF	1	1	1	1	1	1	1	1	1	1	1	1	1	1	1	1	1	1	1	1	1	1	1	1	1	1	1	1	1	1	1	1	
ID	Acce	Field	Value ID	Value	Description																												
A	RW	VOUT			Output voltage from REG0 regulator stage.																												
			1V8	0	1.8 V																												
			2V1	1	2.1 V																												
			2V4	2	2.4 V																												
			2V7	3	2.7 V																												
			3V0	4	3.0 V																												
			3V3	5	3.3 V																												
			DEFAULT	7	Default voltage: 1.8 V																												

4.6 EasyDMA

EasyDMA is a module implemented by some peripherals to gain direct access to Data RAM.

EasyDMA is an AHB bus master similar to CPU and is connected to the AHB multilayer interconnect for direct access to Data RAM. EasyDMA is not able to access flash.

A peripheral can implement multiple EasyDMA instances to provide dedicated channels. For example, for reading and writing of data between the peripheral and RAM. This concept is illustrated in [EasyDMA example](#) on page 44.

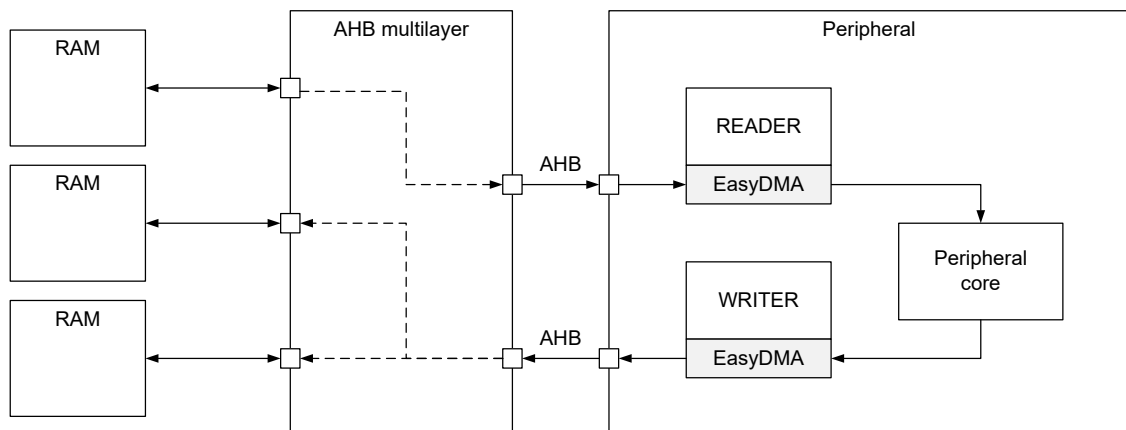


Figure 4: EasyDMA example

An EasyDMA channel is implemented in the following way, but some variations may occur:

```

READERBUFFER_SIZE 5
WRITERBUFFER_SIZE 6

uint8_t readerBuffer[READERBUFFER_SIZE] __at__ 0x20000000;
uint8_t writerBuffer[WRITERBUFFER_SIZE] __at__ 0x20000005;

// Configuring the READER channel
MYPERIPHERAL->READER.MAXCNT = READERBUFFER_SIZE;
MYPERIPHERAL->READER.PTR = &readerBuffer;

// Configure the WRITER channel
MYPERIPHERAL->WRITER.MAXCNT = WRITERBUFFER_SIZE;
MYPERIPHERAL->WRITER.PTR = &writerBuffer;

```

This example shows a peripheral called MYPERIPHERAL that implements two EasyDMA channels - one for reading called READER, and one for writing called WRITER. When the peripheral is started, it is assumed that the peripheral will perform the following tasks:

- Read 5 bytes from the readerBuffer located in RAM at address 0x20000000
- Process the data
- Write no more than 6 bytes back to the writerBuffer located in RAM at address 0x20000005

The memory layout of these buffers is illustrated in [EasyDMA memory layout](#) on page 45.

0x20000000	readerBuffer[0]	readerBuffer[1]	readerBuffer[2]	readerBuffer[3]
0x20000004	readerBuffer[4]	writerBuffer[0]	writerBuffer[1]	writerBuffer[2]
0x20000008	writerBuffer[3]	writerBuffer[4]	writerBuffer[5]	

Figure 5: EasyDMA memory layout

The WRITER.MAXCNT register should not be specified larger than the actual size of the buffer (writerBuffer). Otherwise, the channel would overflow the writerBuffer.

Once an EasyDMA transfer is completed, the AMOUNT register can be read by the CPU to see how many bytes were transferred. For example, CPU can read MYPERIPHERAL->WRITER.AMOUNT register to see how many bytes WRITER wrote to RAM.

Note: The PTR register of a READER or WRITER must point to a valid memory region before use. The reset value of a PTR register is not guaranteed to point to valid memory. See [Memory](#) on page 19 for more information about the different memory regions and EasyDMA connectivity.

4.6.1 EasyDMA error handling

Some errors may occur during DMA handling.

If READER.PTR or WRITER.PTR is not pointing to a valid memory region, an EasyDMA transfer may result in a HardFault or RAM corruption. See [Memory](#) on page 19 for more information about the different memory regions.

If several AHB bus masters try to access the same AHB slave at the same time, AHB bus congestion might occur. An EasyDMA channel is an AHB master. Depending on the peripheral, the peripheral may either stall and wait for access to be granted, or lose data.

4.6.2 EasyDMA array list

EasyDMA is able to operate in Array List mode.

The Array List mode is implemented in channels where the LIST register is available.

The array list does not provide a mechanism to explicitly specify where the next item in the list is located. Instead, it assumes that the list is organized as a linear array where items are located one after the other in RAM.

The EasyDMA Array List can be implemented by using the data structure `ArrayList_type` as illustrated in the code example below using a `READER` EasyDMA channel as an example:

```
#define BUFFER_SIZE 4

typedef struct ArrayList
{
    uint8_t buffer[BUFFER_SIZE];
} ArrayList_type;

ArrayList_type ReaderList[3] __at__ 0x20000000;

MYPERIPHERAL->READER.MAXCNT = BUFFER_SIZE;
MYPERIPHERAL->READER.PTR = &ReaderList;
MYPERIPHERAL->READER.LIST = MYPERIPHERAL_READER_LIST_ArrayList;
```

The data structure only includes a buffer with size equal to the size of `READER.MAXCNT` register. EasyDMA uses the `READER.MAXCNT` register to determine when the buffer is full.

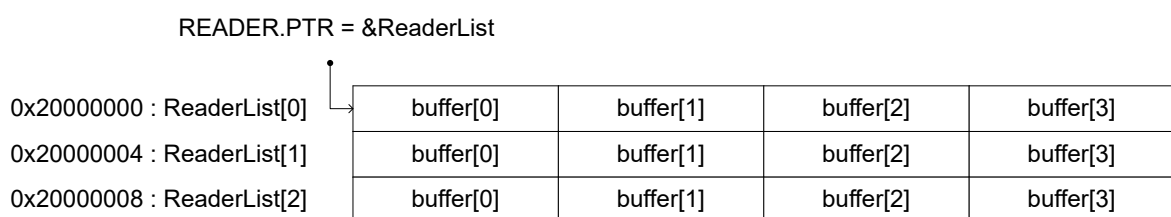


Figure 6: EasyDMA array list

4.7 AHB multilayer

AHB multilayer enables parallel access paths between multiple masters and slaves in a system. Access is resolved using priorities.

Each bus master is connected to all the slave devices using an interconnection matrix. The bus masters are assigned priorities, which are used to resolve access when two (or more) bus masters request access to the same slave device. When that occurs, the following rules apply:

- If two (or more) bus masters request access to the same slave device, the master with the highest priority is granted the access first.
- Bus masters with lower priority are stalled until the higher priority master has completed its transaction.
- If the higher priority master pauses at any point during its transaction, the lower priority master in queue is temporarily granted access to the slave device until the higher priority master resumes its activity.
- Bus masters that have the same priority are mutually exclusive, thus cannot be used concurrently.

Some peripherals, such as RADIO, do not have a safe stalling mechanism (no internal data buffering, or opportunity to pause incoming data). Being a low priority bus master might cause loss of data for such peripherals upon bus contention. To avoid AHB bus contention when using multiple bus masters, follow these guidelines:

- Avoid situations where more than one bus master is accessing the same slave.
- If more than one bus master is accessing the same slave, make sure that the bus bandwidth is not exhausted.

Below is a list of bus masters in the system and their priorities.

Bus master name	Description
CPU	
CTRL-AP	
USB	
SPIM1/SPIS1/TWIM1/TWIS1	Same priority and mutually exclusive
RADIO	
CCM/ECB/AAR	Same priority and mutually exclusive
SAADC	
UARTE0	
SPIM0/SPIS0/TWIM0/TWIS0	Same priority and mutually exclusive
SPIM2/SPIS2	Same priority and mutually exclusive
NFCT	
I2S	
PDM	
PWM0	
PWM1	
PWM2	
PWM3	
UARTE1	
SPIM3	

Table 12: AHB bus masters (listed from highest to lowest priority)

Defined bus masters are the CPU and peripherals with implemented EasyDMA. The available slaves are RAM AHB slaves. How the bus masters and slaves are connected using the interconnection matrix is illustrated in [Memory](#) on page 19.

4.8 Debug and trace

The debug and trace system offers a flexible and powerful mechanism for non-intrusive debugging.

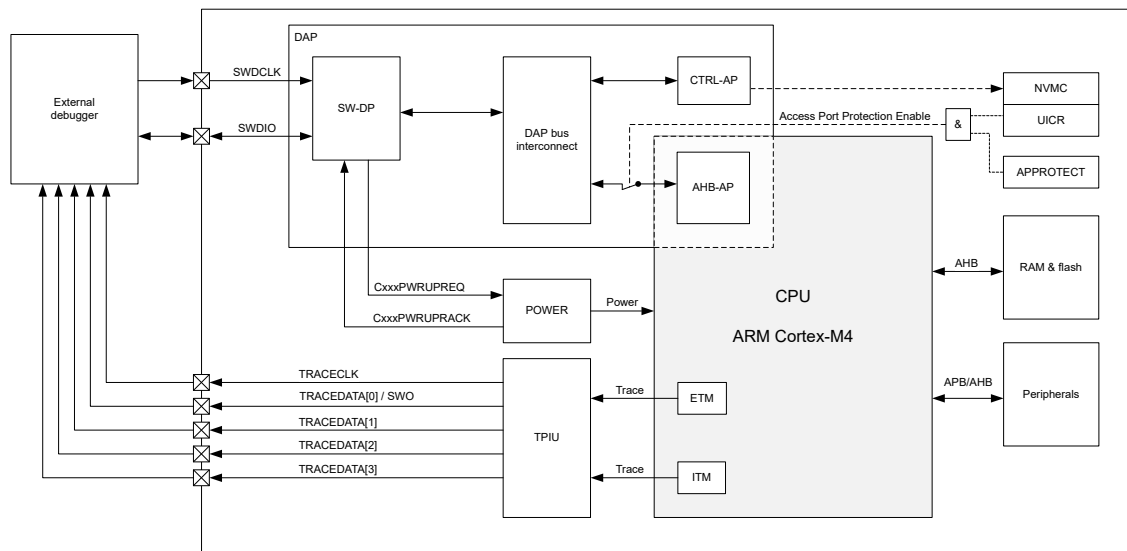


Figure 7: Debug and trace overview

The main features of the debug and trace system are the following:

- Two-pin serial wire debug (SWD) interface
- Flash patch and breakpoint (FPB) unit that supports the following comparators:
 - Two literal comparators
 - Six instruction comparators
- Data watchpoint and trace (DWT) unit with four comparators
- Instrumentation trace macrocell (ITM)
- Embedded trace macrocell (ETM)
- Trace port interface unit (TPIU)
 - 4-bit parallel trace of ITM and ETM trace data
 - Serial wire output (SWO) trace of ITM data

4.8.1 DAP - Debug access port

An external debugger can access the device via the DAP.

The debug access port (DAP) implements a standard ARM[®] CoreSight[™] serial wire debug port (SW-DP), which implements the serial wire debug protocol (SWD). SWD is a two-pin serial interface, see SWDCLK and SWDIO in [Debug and trace overview](#) on page 48.

In addition to the default access port in CPU (AHB-AP), the DAP includes a custom control access port (CTRL-AP). The CTRL-AP is described in more detail in [CTRL-AP - Control access port](#) on page 51.

Note:

- The SWDIO line has an internal pull-up resistor.
- The SWDCLK line has an internal pull-down resistor.

4.8.2 Access port protection

Access port protection blocks the debugger from read and write access to all CPU registers and memory-mapped addresses when enabled.

Access port protection is enabled and disabled differently depending on the build code of the device.

Access port protection controlled by hardware

This information refers to build codes Axx and earlier.

By default, access port protection is disabled.

Access port protection is enabled by writing `UICR.APPROTECT` to `Enabled` and performing any reset. See [Reset](#) on page 69 for more information.

Access port protection is disabled by issuing an ERASEALL command via CTRL-AP. This command will erase the flash, UICR, and RAM, including `UICR.APPROTECT`. Erasing UICR will set `UICR.APPROTECT` value to `Disabled`. CTRL-AP is described in more detail in [CTRL-AP - Control access port](#) on page 51.

Access port protection controlled by hardware and software

This information refers to build codes Bxx and later.

By default, access port protection is enabled.

Access port protection is disabled by issuing an ERASEALL command via CTRL-AP. Read [CTRL-AP.APPROTECTSTATUS](#) to ensure that access port protection is disabled, and repeat the ERASEALL command if needed. This command will erase the flash, UICR, and RAM. CTRL-AP is described in more detail in [CTRL-AP - Control access port](#) on page 51. Access port protection will remain disabled until one of the following occurs:

- Pin reset
- Power or brownout reset
- Watchdog reset if not in Debug Interface Mode, see [Debug Interface mode](#) on page 53
- Wake from System OFF if not in Emulated System OFF

To keep access port protection disabled, the following actions must be performed:

- Program `UICR.APPROTECT` to `HwDisabled`. This disables the hardware part of the access port protection scheme after the first reset of any type. The hardware part of the access port protection will stay disabled as long as `UICR.APPROTECT` is not overwritten.
- Firmware must write `APPROTECT.DISABLE` to `SwDisable`. This disables the software part of the access port protection scheme.

Note: Register `APPROTECT.DISABLE` is reset after pin reset, power or brownout reset, watchdog reset, or wake from System OFF as mentioned above.

The following figure is an example on how a device with access port protection enabled can be erased, programmed, and configured to allow debugging. Operations sent from debugger as well as registers written by firmware will affect the access port state.

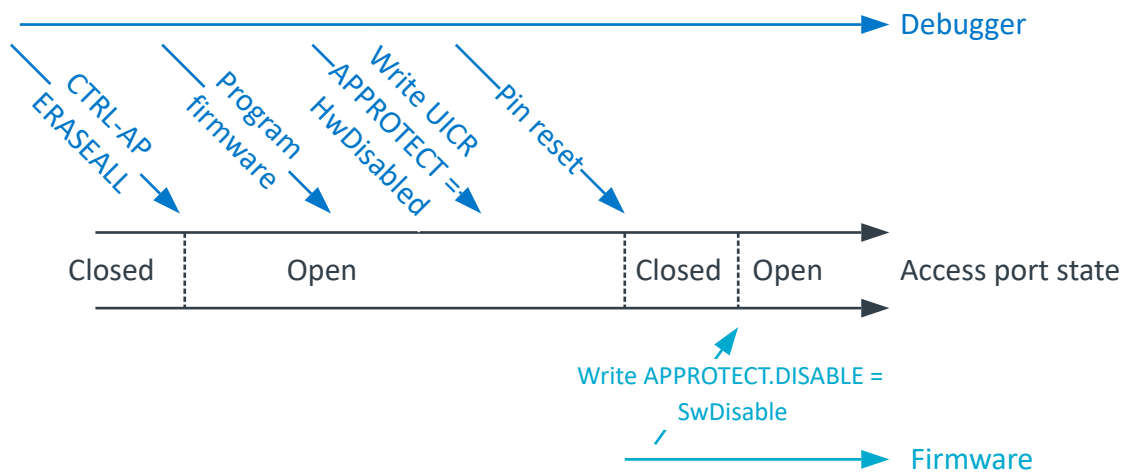


Figure 8: Access port unlocking

Access port protection is enabled when the disabling conditions are not present. For additional security, it is recommended to write `Enabled` to `UICR.APPROTECT`, and have firmware write `Force` to `APPROTECT.FORCEPROTECT`. This is illustrated in the following figure.

Note: Register `APPROTECT.FORCEPROTECT` is reset after any reset.

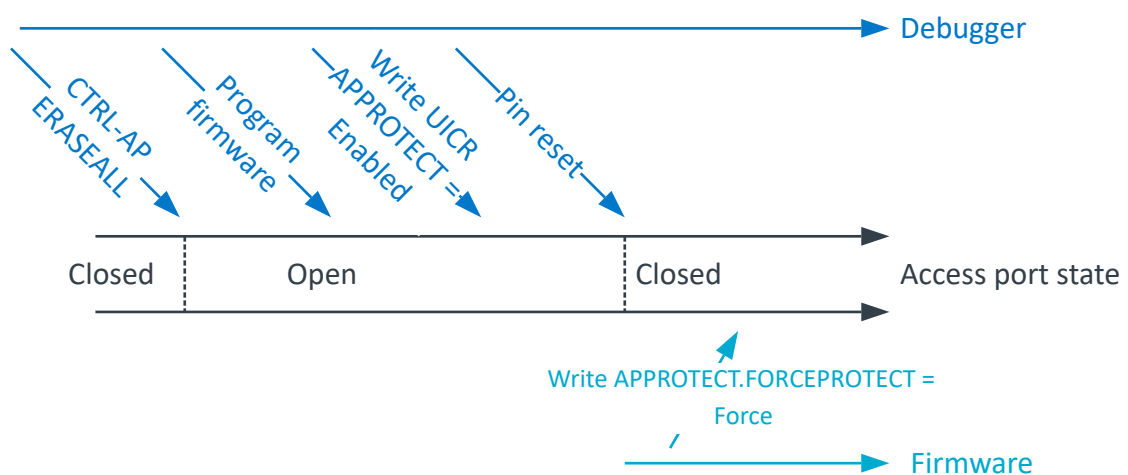


Figure 9: Force access port protection

4.8.2.1 Registers

Base address	Peripheral	Instance	Description	Configuration
0x40000000	APPROTECT	APPROTECT	APPROTECT control	

Table 13: Instances

Register	Offset	Description
FORCEPROTECT	0x550	Software force enable APPROTECT mechanism until next reset.
DISABLE	0x558	Software disable APPROTECT mechanism

Table 14: Register overview

4.8.2.1.1 FORCEPROTECT

Address offset: 0x550

Software force enable APPROTECT mechanism until next reset.

Bit number	31 30 29 28 27 26 25 24 23 22 21 20 19 18 17 16 15 14 13 12 11 10 9 8 7 6 5 4 3 2 1 0																														
ID	A A A A A A A A																														
Reset 0xFFFFFFFF	1 1																														
ID	Acce Field	Value ID	Value	Description																											
A	RW1 FORCEPROTECT			Write 0x0 to force enable APPROTECT mechanism																											
		Force	0x0	Software force enable APPROTECT mechanism																											

4.8.2.1.2 DISABLE

Address offset: 0x558

Software disable APPROTECT mechanism

Bit number	31 30 29 28 27 26 25 24 23 22 21 20 19 18 17 16 15 14 13 12 11 10 9 8 7 6 5 4 3 2 1 0																														
ID	A A A A A A A A																														
Reset 0x00000000	0 0																														
ID	Acce Field	Value ID	Value	Description																											
A	RW DISABLE			Software disable APPROTECT mechanism																											
		SwDisable	0x5A	Software disable APPROTECT mechanism																											

4.8.3 CTRL-AP - Control access port

The control access port (CTRL-AP) is a custom access port that enables control of the device when other access ports in the DAP are disabled by the access port protection.

Access port protection is described in more detail in [Access port protection](#) on page 48.

Control access port has the following features:

- Soft reset - see [Reset](#) on page 69 for more information
- Disabling of access port protection - device control is allowed through CTRL-AP even when all other access ports in DAP are disabled by access port protection

4.8.3.1 Registers

Register	Offset	Description
RESET	0x000	Soft reset triggered through CTRL-AP
ERASEALL	0x004	Erase all
ERASEALLSTATUS	0x008	Status register for the ERASEALL operation
APPROTECTSTATUS	0x00C	Status register for access port protection
IDR	0x0FC	CTRL-AP identification register, IDR

Table 15: Register overview

4.8.3.1.1 RESET

Address offset: 0x000

Soft reset triggered through CTRL-AP

Bit number	31	30	29	28	27	26	25	24	23	22	21	20	19	18	17	16	15	14	13	12	11	10	9	8	7	6	5	4	3	2	1	0
ID																																A
Reset 0x00000000	0 0																															
ID	Acce Field	Value ID	Value	Description																												
A	RW	RESET		Soft reset triggered through CTRL-AP. See Reset behavior in POWER chapter for more details.																												
		NoReset	0	Reset is not active																												
		Reset	1	Reset is active. Device is held in reset.																												

4.8.3.1.2 ERASEALL

Address offset: 0x004

Erase all

Bit number	31	30	29	28	27	26	25	24	23	22	21	20	19	18	17	16	15	14	13	12	11	10	9	8	7	6	5	4	3	2	1	0
ID																																A
Reset 0x00000000	0 0																															
ID	Acce Field	Value ID	Value	Description																												
A	W	ERASEALL		Erase all flash and RAM																												
		NoOperation	0	No operation																												
		Erase	1	Erase all flash and RAM																												

4.8.3.1.3 ERASEALLSTATUS

Address offset: 0x008

Status register for the ERASEALL operation

Bit number	31	30	29	28	27	26	25	24	23	22	21	20	19	18	17	16	15	14	13	12	11	10	9	8	7	6	5	4	3	2	1	0
ID																																A
Reset 0x00000000	0 0																															
ID	Acce Field	Value ID	Value	Description																												
A	R	ERASEALLSTATUS		Status register for the ERASEALL operation																												
		Ready	0	ERASEALL is ready																												
		Busy	1	ERASEALL is busy (on-going)																												

4.8.3.1.4 APPROTECTSTATUS

Address offset: 0x00C

Status register for access port protection

Bit number	31	30	29	28	27	26	25	24	23	22	21	20	19	18	17	16	15	14	13	12	11	10	9	8	7	6	5	4	3	2	1	0
ID																																A
Reset 0x00000000	0 0																															
ID	Acce Field	Value ID	Value	Description																												
A	R	APPROTECTSTATUS		Status register for access port protection																												
		Enabled	0	Access port protection enabled																												
		Disabled	1	Access port protection not enabled																												

4.8.3.1.5 IDR

Address offset: 0x0FC

CTRL-AP identification register, IDR

Bit number	31	30	29	28	27	26	25	24	23	22	21	20	19	18	17	16	15	14	13	12	11	10	9	8	7	6	5	4	3	2	1	0
ID	E	E	E	E	D	D	D	D	C	C	C	C	C	C	B	B	B	B							A	A	A	A	A	A	A	A
Reset 0x02880000	0	0	0	0	0	0	1	0	1	0	0	0	1	0	0	0	0	0	0	0	0	0	0	0	0	0	0	0	0	0	0	0
ID	Acce	Field	Value ID	Value	Description																											
A	R	APID			AP identification																											
B	R	CLASS			Access port (AP) class																											
			NotDefined	0x0	No defined class																											
			MEMAP	0x8	Memory access port																											
C	R	JEP106ID			JEDEC JEP106 identity code																											
D	R	JEP106CONT			JEDEC JEP106 continuation code																											
E	R	REVISION			Revision																											

4.8.3.2 Electrical specification

4.8.3.2.1 Control access port

Symbol	Description	Min.	Typ.	Max.	Units
R_{pull}	Internal SWDIO and SWDCLK pull up/down resistance		13		k Ω
f_{SWDCLK}	SWDCLK frequency	0.125		8	MHz

4.8.4 Debug Interface mode

Before an external debugger can access either CPU's access port (AHB-AP) or the control access port (CTRL-AP), the debugger must first request the device to power up via CxxxPWRUPREQ in the SWJ-DP.

If the device is in System OFF when power is requested via CxxxPWRUPREQ, the system will wake up and the DIF flag in [RESETREAS](#) on page 75 will be set. The device is in the Debug Interface mode as long as the debugger is requesting power via CxxxPWRUPREQ. Once the debugger stops requesting power via CxxxPWRUPREQ, the device is back in normal mode. Some peripherals behave differently in Debug Interface mode compared to normal mode. These differences are described in more detail in the chapters of the peripherals that are affected.

When a debug session is over, the external debugger must make sure to put the device back into normal mode since the overall power consumption is higher in Debug Interface mode than in normal mode.

For details on how to use the debug capabilities, read the debug documentation of your IDE.

4.8.5 Real-time debug

The nRF52833 supports real-time debugging.

Real-time debugging allows interrupts to execute to completion in real time when breakpoints are set in Thread mode or lower priority interrupts. This enables developers to set breakpoints and single-step through the code without the risk of real-time event-driven threads running at higher priority failing. For example, this enables the device to continue to service the high-priority interrupts of an external controller or sensor without failure or loss of state synchronization while the developer steps through code in a low-priority thread.

4.8.6 Trace

The device supports ETM and ITM trace.

Trace data from the ETM and the ITM is sent to an external debugger via a 4-bit wide parallel trace port interface unit (TPIU), see TRACEDATA[0] through TRACEDATA[3] and TRACECLK in [Debug and trace overview](#) on page 48.

In addition to parallel trace, the TPIU supports serial trace via the serial wire output (SWO) trace protocol. Parallel and serial trace cannot be used at the same time. ETM trace is only supported in Parallel Trace mode, while ITM trace is supported in both Parallel and Serial Trace modes.

For details on how to use the trace capabilities, read the debug documentation of your IDE.

TPIU's trace pins are multiplexed with GPIOs. SWO and TRACEDATA[0] use the same GPIO. See [Pin assignments](#) on page 560 for more information.

Trace speed is configured in register [TRACECONFIG](#) on page 95. The speed of the trace pins depends on the DRIVE setting of the GPIOs that the trace pins are multiplexed with. Only S0S1 and H0H1 drives are suitable for debugging. S0S1 is the default DRIVE setting at reset. If parallel or serial trace port signals are not fast enough with the default settings, all GPIOs in use for tracing should be set to high drive (H0H1). The DRIVE setting for these GPIOs should not be overwritten by firmware during the debugging session.

4.8.6.1 Electrical specification

4.8.6.1.1 Trace port

Symbol	Description	Min.	Typ.	Max.	Units
T_{cyc}	Clock period as defined by Arm in the Timing specifications for Trace Port Physical Interface of the Embedded Trace Macrocell Architecture Specification	62.5		500	ns

5 Power and clock management

5.1 Power management unit (PMU)

Power and clock management in nRF52833 is designed to automatically ensure maximum power efficiency.

The core of the power and clock management system is the power management unit (PMU) illustrated in the following figure.

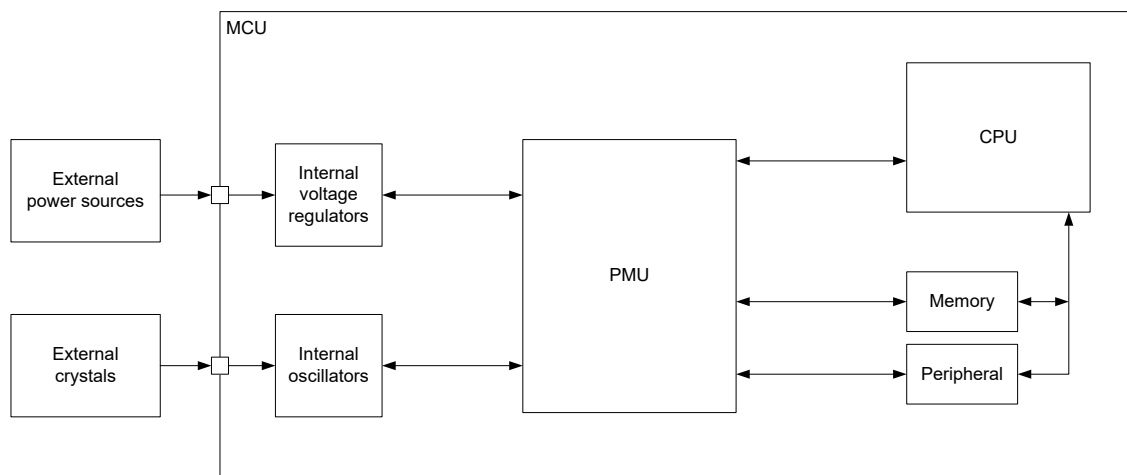


Figure 10: Power management unit

The PMU automatically detects which power and clock resources are required by the different system components at any given time. The PMU will then automatically start/stop and choose operation modes in supply regulators and clock sources, to achieve the lowest power consumption possible.

5.2 Current consumption

Because the system is continually being tuned by the [Power management unit \(PMU\)](#) on page 55, estimating an application's current consumption can be challenging when measurements cannot be directly performed on the hardware. To facilitate the estimation process, a set of current consumption scenarios are provided to show the typical current drawn from the VDD supply.

Each scenario specifies a set of operations and conditions applying to the given scenario. The following table shows a set of common conditions used in all scenarios, unless otherwise stated in the description of a given scenario. All scenarios are listed in [Electrical specification](#) on page 56.

Condition	Value
Supply	3 V on VDD/VDDH (Normal voltage mode)
Temperature	25°C
CPU	WFI (wait for interrupt)/WFE (wait for event) sleep
Peripherals	All idle
Clock	Not running
Regulator	LDO
RAM	In System ON, full 128 kB powered. In System OFF, full 128 kB retention.
Compiler	GCC v7.3.1 20180622 (release) [ARM/embedded-7-branch revision 261907] (GNU Tools for Arm Embedded Processors 7-2018-q3-update). <ul style="list-style-type: none"> Compiler flags: <code>-O0 -falign-functions=16 -fno-strict-aliasing -mthumb -mcpu=cortex-m4 -mfloat-abi=hard -mfpu=fpv4-sp-d16</code>.
Compiler for CPU Running and Compounded	ARMCC v6.13. <ul style="list-style-type: none"> Compiler flags: <code>-xc -std=gnu99 --target=arm-arm-none-eabi -mcpu=cortex-m4 -mfpu=none -mfloat-abi=soft -c -fno-rtti -funsigned-char -gdwarf-3 -fropi -Ofast -ffunction-sections -Omax</code> Linker flags: <code>--cpu=Cortex-M4 --fpu=SoftVFP --strict -Omax</code>
Cache enabled ²	Yes
32 MHz crystal ³	SMD 2520, 32 MHz, 10 pF +/- 10 ppm

Table 16: Current consumption scenarios, common conditions

5.2.1 Electrical specification

5.2.1.1 Sleep

Symbol	Description	Min.	Typ.	Max.	Units
I _{ON_RAMOFF_EVENT}	System ON, no RAM retention, wake on any event		1.1		μA
I _{ON_RAMON_EVENT}	System ON, full 128 kB RAM retention, wake on any event		1.8		μA
I _{ON_RAMON_PDF}	System ON, full 128 kB RAM retention, wake on any event, power-fail comparator enabled		1.9		μA
I _{ON_RAMON_GPIOTE}	System ON, full 128 kB RAM retention, wake on GPIOTE input (event mode)		7.4		μA
I _{ON_RAMON_GPIOTEPORT}	System ON, full 128 kB RAM retention, wake on GPIOTE PORT event		1.8		μA
I _{ON_RAMOFF_RTC}	System ON, no RAM retention, wake on RTC (running from LFRC clock)		1.5		μA
I _{ON_RAMON_RTC}	System ON, full 128 kB RAM retention, wake on RTC (running from LFRC clock)		2.6		μA

² Applies only when CPU is running from flash memory

³ Applies only when HFXO is running

Symbol	Description	Min.	Typ.	Max.	Units
$I_{OFF_RAMOFF_RESET}$	System OFF, no RAM retention, wake on reset		0.6		μA
$I_{OFF_RAMOFF_LPCOMP}$	System OFF, no RAM retention, wake on LPCOMP		0.9		μA
$I_{OFF_RAMON_RESET}$	System OFF, full 128 kB RAM retention, wake on reset		1.3		μA
$I_{ON_RAMOFF_EVENT_5V}$	System ON, no RAM retention, wake on any event, 5 V supply on VDDH, REGO output = 3.3 V		1.3		μA
$I_{OFF_RAMOFF_RESET_5V}$	System OFF, no RAM retention, wake on reset, 5 V supply on VDDH, REGO output = 3.3 V		1.0		μA

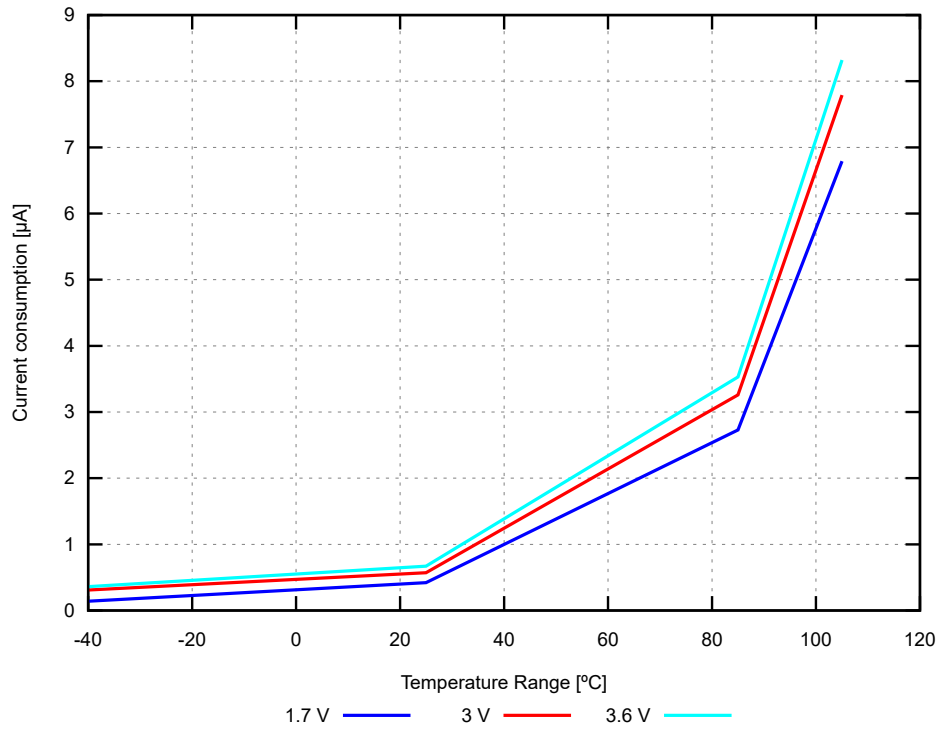


Figure 11: System OFF, no RAM retention, wake on reset (typical values)

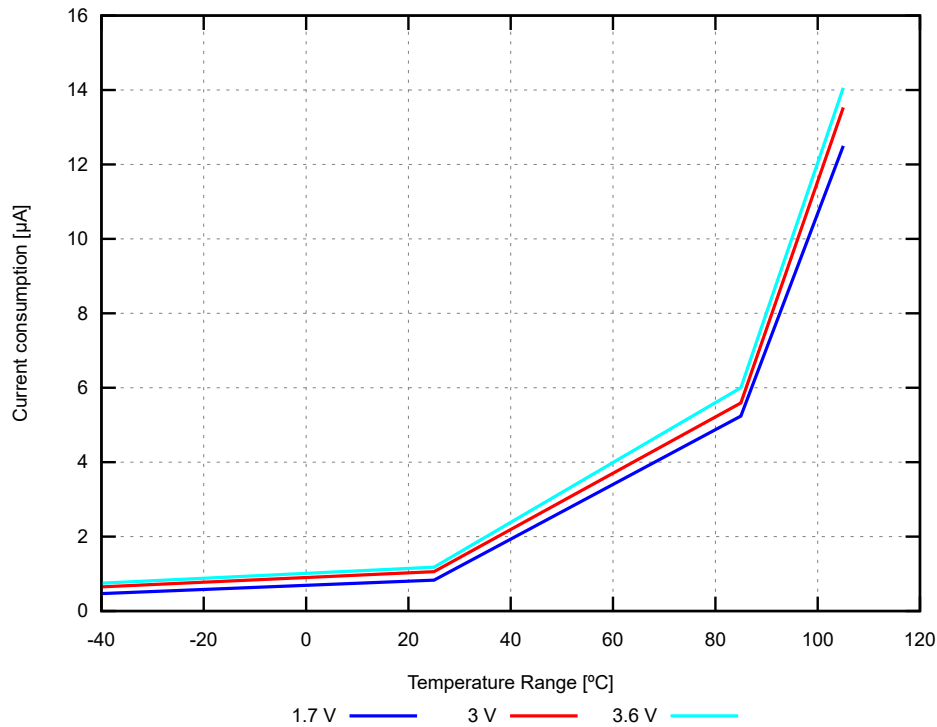


Figure 12: System ON, no RAM retention, wake on any event (typical values)

5.2.1.2 COMP active

Symbol	Description	Min.	Typ.	Max.	Units
$I_{\text{COMP,LP}}$	COMP enabled, low power mode		22.7		μA
$I_{\text{COMP,NORM}}$	COMP enabled, normal mode		26.4		μA
$I_{\text{COMP,HS}}$	COMP enabled, high-speed mode		33.0		μA

5.2.1.3 CPU running

Symbol	Description	Min.	Typ.	Max.	Units
I_{CPU0}	CPU running CoreMark @64 MHz from flash, Clock = HFXO, Regulator = DC/DC		3.3		mA
I_{CPU1}	CPU running CoreMark @64 MHz from flash, Clock = HFXO		5.6		mA
I_{CPU2}	CPU running CoreMark @64 MHz from RAM, Clock = HFXO, Regulator = DC/DC		2.4		mA
I_{CPU3}	CPU running CoreMark @64 MHz from RAM, Clock = HFXO		4.7		mA
I_{CPU4}	CPU running CoreMark @64 MHz from flash, Clock = HFINT, Regulator = DC/DC		3.1		mA

5.2.1.4 NFCT active

Symbol	Description	Min.	Typ.	Max.	Units
I_{sense}	Current in SENSE STATE ⁴		100		nA
$I_{\text{activated}}$	Current in ACTIVATED STATE		400		μA

⁴ This current does not apply when in NFC field

5.2.1.5 Radio transmitting/receiving

Symbol	Description	Min.	Typ.	Max.	Units
$I_{\text{RADIO_TX0}}$	Radio transmitting @ 8 dBm output power, 1 Mbps Bluetooth [®] Low Energy (BLE) mode, Clock = HFXO, Regulator = DC/DC		15.5		mA
$I_{\text{RADIO_TX1}}$	Radio transmitting @ 0 dBm output power, 1 Mbps BLE mode, Clock = HFXO, Regulator = DC/DC		6.0		mA
$I_{\text{RADIO_TX2}}$	Radio transmitting @ -40 dBm output power, 1 Mbps BLE mode, Clock = HFXO, Regulator = DC/DC		3.5		mA
$I_{\text{RADIO_TX3}}$	Radio transmitting @ 0 dBm output power, 1 Mbps BLE mode, Clock = HFXO		11.0		mA
$I_{\text{RADIO_TX4}}$	Radio transmitting @ -40 dBm output power, 1 Mbps BLE mode, Clock = HFXO		5.4		mA
$I_{\text{RADIO_TX5}}$	Radio transmitting @ 0 dBm output power, 250 kbit/s IEE 802.15.4-2006 mode, Clock = HFXO, Regulator = DC/DC		6.0		mA
$I_{\text{RADIO_RX0}}$	Radio receiving @ 1 Mbps BLE mode, Clock = HFXO, Regulator = DC/DC		6.0		mA
$I_{\text{RADIO_RX1}}$	Radio receiving @ 1 Mbps BLE mode, Clock = HFXO		10.5		mA
$I_{\text{RADIO_RX2}}$	Radio receiving @ 250 kbit/s IEE 802.15.4-2006 mode, Clock = HFXO, Regulator = DC/DC		6.2		mA

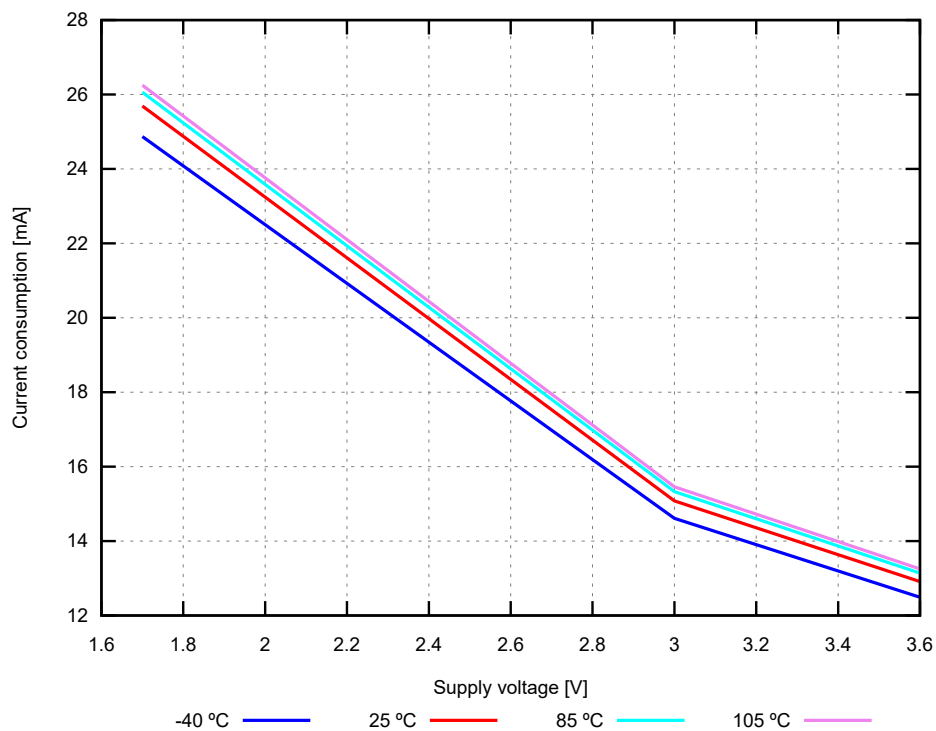


Figure 13: Radio transmitting @ 8 dBm output power, 1 Mbps BLE mode, Clock = HFXO, Regulator = DC/DC (typical values)

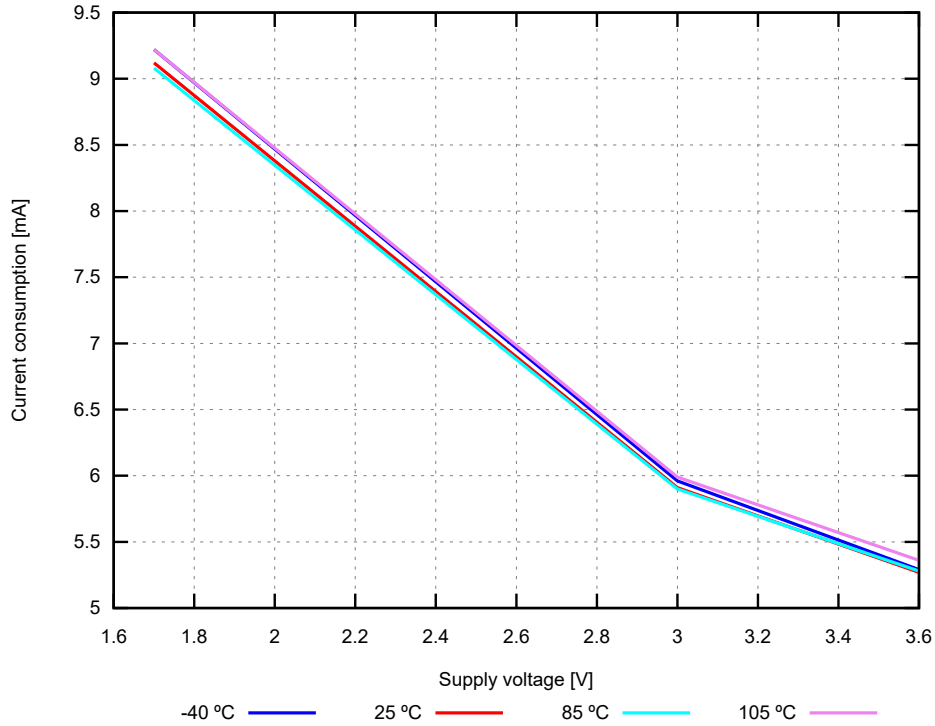


Figure 14: Radio transmitting @ 0 dBm output power, 1 Mbps BLE mode, Clock = HFXO, Regulator = DC/DC (typical values)

5.2.1.6 RNG active

Symbol	Description	Min.	Typ.	Max.	Units
I _{RNG0}	RNG running		539		μA

5.2.1.7 SAADC active

Symbol	Description	Min.	Typ.	Max.	Units
I _{SAADC,RUN}	SAADC sampling @ 16 kbps, Acquisition time = 20 μs, Clock = HFXO, Regulator = DC/DC		1.37		mA

5.2.1.8 TEMP active

Symbol	Description	Min.	Typ.	Max.	Units
I _{TEMP0}	TEMP started		0.92		mA

5.2.1.9 TIMER running

Symbol	Description	Min.	Typ.	Max.	Units
I _{TIMER0}	One TIMER instance running @ 1 MHz, Clock = HFINT		342		μA
I _{TIMER1}	Two TIMER instances running @ 1 MHz, Clock = HFINT		341		μA
I _{TIMER2}	One TIMER instance running @ 1 MHz, Clock = HFXO		573		μA
I _{TIMER3}	One TIMER instance running @ 16 MHz, Clock = HFINT		497		μA
I _{TIMER4}	One TIMER instance running @ 16 MHz, Clock = HFXO		729		μA

5.2.1.10 USB running

Symbol	Description	Min.	Typ.	Max.	Units
I _{USB,ACTIVE,VBUS}	Current from VBUS supply, USB active		2.4		mA
I _{USB,SUSPEND,VBUS}	Current from VBUS supply, USB suspended, CPU sleeping		262		μA
I _{USB,ACTIVE,VDD}	Current from VDD supply (normal voltage mode), all RAM retained, regulator=LDO, CPU running, USB active		7.73		mA
I _{USB,SUSPEND,VDD}	Current from VDD supply (normal voltage mode), all RAM retained, regulator=LDO, CPU sleeping, USB suspended		173		μA
I _{USB,ACTIVE,VDDH}	Current from VDDH supply (high voltage mode), VDD=3 V (REGO output), all RAM retained, regulator=LDO, CPU running, USB active		7.46		mA
I _{USB,SUSPEND,VDDH}	Current from VDDH supply (high voltage mode), VDD=3 V (REGO output), all RAM retained, regulator=LDO, CPU sleeping, USB suspended		178		μA
I _{USB,DISABLED,VDD}	Current from VDD supply, USB disabled, VBUS supply connected, all RAM retained, regulator=LDO, CPU sleeping		7		μA

5.2.1.11 WDT active

Symbol	Description	Min.	Typ.	Max.	Units
I _{WDT,STARTED}	WDT started		2.5		μA

5.2.1.12 Compounded

Symbol	Description	Min.	Typ.	Max.	Units
I _{S0}	CPU running CoreMark from flash, Radio transmitting @ 0 dBm output power, 1 Mbps <i>Bluetooth</i> [®] Low Energy (BLE) mode, Clock = HFXO, Regulator = DC/DC		8.5		mA
I _{S1}	CPU running CoreMark from flash, Radio receiving @ 1 Mbps BLE mode, Clock = HFXO, Regulator = DC/DC		8.3		mA
I _{S2}	CPU running CoreMark from flash, Radio transmitting @ 0 dBm output power, 1 Mbps BLE mode, Clock = HFXO		16.7		mA
I _{S3}	CPU running CoreMark from flash, Radio receiving @ 1 Mbps BLE mode, Clock = HFXO		16.2		mA

5.3 POWER — Power supply

The power supply consists of a number of LDO and DC/DC regulators that are utilized to maximize the system's power efficiency.

This device has the following power supply features:

- On-chip LDO and DC/DC regulators
- Global System ON/OFF modes
- Individual RAM section power control for all system modes
- Analog or digital pin wakeup from System OFF
- Supervisor hardware to manage power-on reset, brownout, and power failure
- Auto-controlled refresh modes for LDO and DC/DC regulators to maximize efficiency
- Separate USB supply

5.3.1 Main supply

The main supply voltage is connected to the VDD/VDDH pins. The system will enter one of two supply voltage modes, Normal or High Voltage mode, depending on how the supply voltage is connected to these pins.

The system enters Normal Voltage mode when the supply voltage is connected to both the VDD and VDDH pins (pin VDD shorted to pin VDDH). For the supply voltage range to connect to both VDD and VDDH pins, see parameter V_{DD} .

The system enters High Voltage mode when the supply voltage is only connected to the VDDH pin and the VDD pin is not connected to any voltage supply. For the supply voltage range to connect to the VDDH pin, see parameter V_{DDH} .

The register [MAINREGSTATUS](#) on page 78 can be used to read the current supply voltage mode.

5.3.1.1 Main voltage regulators

The system contains two main supply regulator stages, REG0 and REG1.

REG1 regulator stage has the regulator type options of Low-dropout regulator (LDO) and Buck regulator (DC/DC). REG0 regulator stage has only the option of Low-dropout regulator (LDO).

In Normal Voltage mode, only the REG1 regulator stage is used, and the REG0 stage is automatically disabled. In High Voltage mode, both regulator stages (REG0 and REG1) are used. The output voltage of REG0 can be configured in register [REGOUT0](#) on page 44. This output voltage is connected to VDD and is the input voltage to REG1.

Note: In High Voltage mode, the configured output voltage for REG0 ([REGOUT0](#) on page 44) must not be greater than REG0 input voltage minus the voltage drop in REG0 ($V_{DDH} - V_{VDDH-VDD}$).

By default, the LDO regulators are enabled and the DC/DC regulator is disabled. Register [DCDCEN](#) on page 78 is used to enable the DC/DC regulator for REG1 stage.

When the DC/DC converter is enabled, the corresponding LDO regulator is disabled. External LC filter must be connected for the DC/DC regulator if it is being used. The advantage of using a DC/DC regulator is that the overall power consumption is normally reduced as the efficiency of such a regulator is higher than that of a LDO. The efficiency gained by using a DC/DC regulator is best seen when the regulator voltage drop (difference between input and output voltage) is high. The efficiency of internal regulators vary with the supply voltage and the current drawn from the regulators.

Note: Do not enable the DC/DC regulator without an external LC filter being connected as this will inhibit device operation, including debug access, until an LC filter is connected.

5.3.1.2 GPIO levels

The GPIO high reference voltage is equal to the level on the VDD pin.

In Normal Voltage mode, the GPIO high level equals the voltage supplied to the VDD pin. In High Voltage mode, it equals the level specified in register [REGOUT0](#) on page 44.

5.3.1.3 Regulator configuration examples

The voltage regulators can be configured in several ways, depending on the selected supply voltage mode (Normal/High) and the regulator type option for REG1 (LDO or DC/DC).

Four configuration examples are illustrated in the following figures.

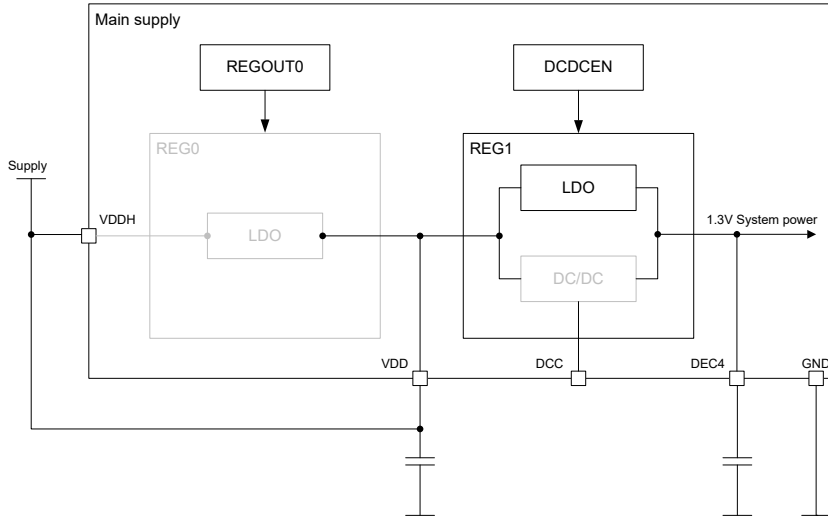


Figure 15: Normal Voltage mode, REG1 LDO

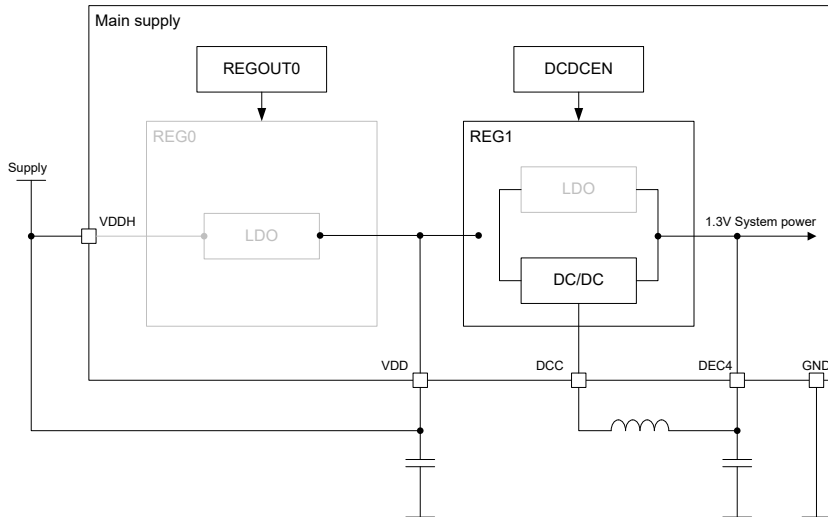


Figure 16: Normal Voltage mode, REG1 DC/DC

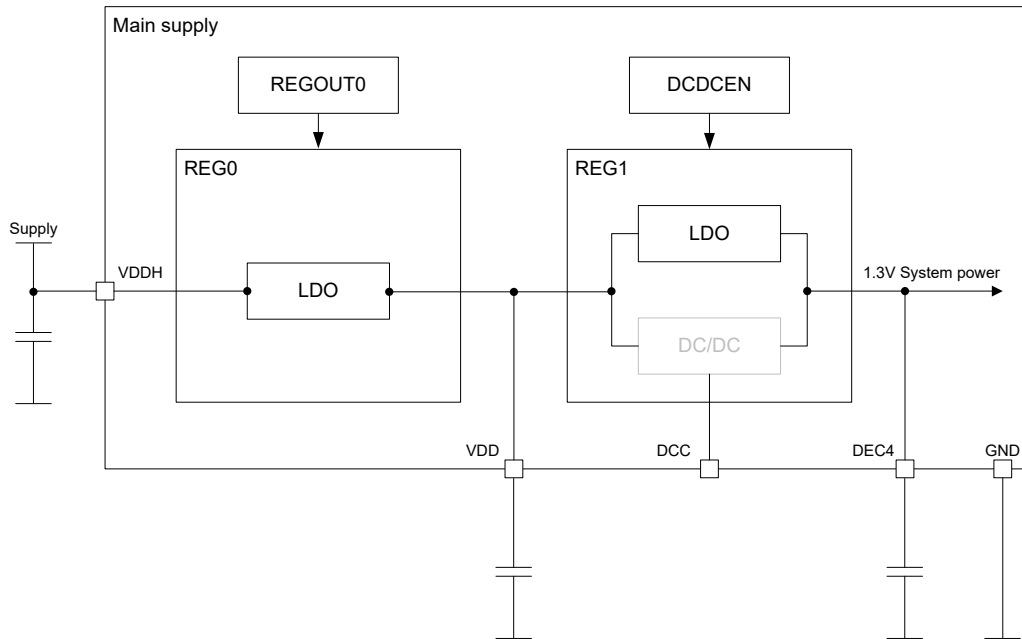


Figure 17: High Voltage mode, REG1 LDO

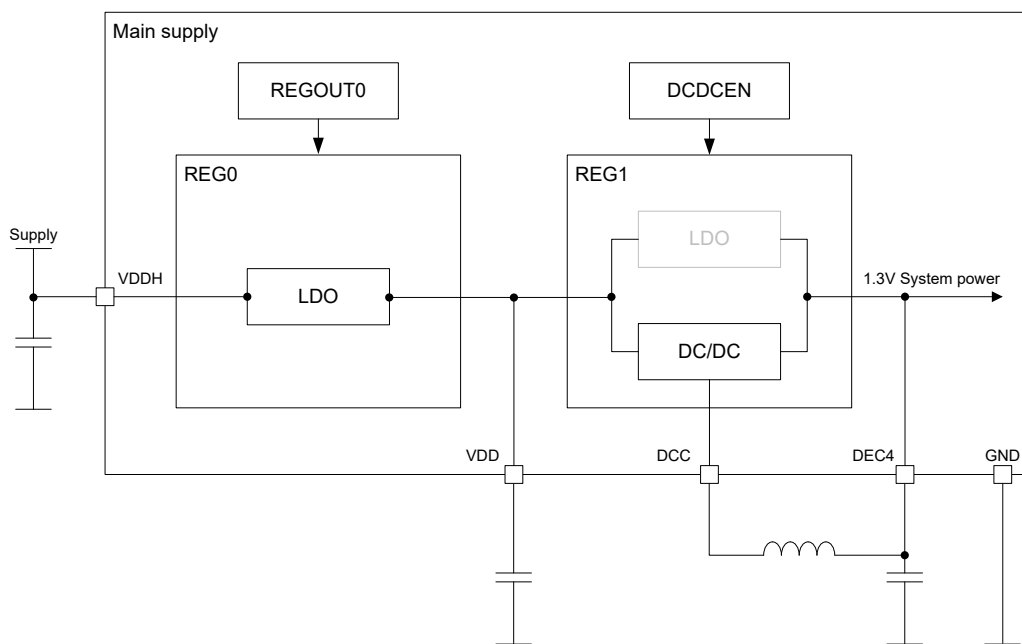


Figure 18: High Voltage mode, REG1 DC/DC

5.3.1.4 Power supply supervisor

The power supply supervisor enables monitoring of the connected power supply.

The power supply supervisor provides the following functionality:

- Power-on reset - signals the circuit when a supply is connected
- An optional power-fail comparator (POF) - signals the application when the supply voltages drop below a configured threshold
- A fixed brownout reset detector - holds the system in reset when the voltage is too low for safe operation

The power supply supervisor is illustrated in the following figure.

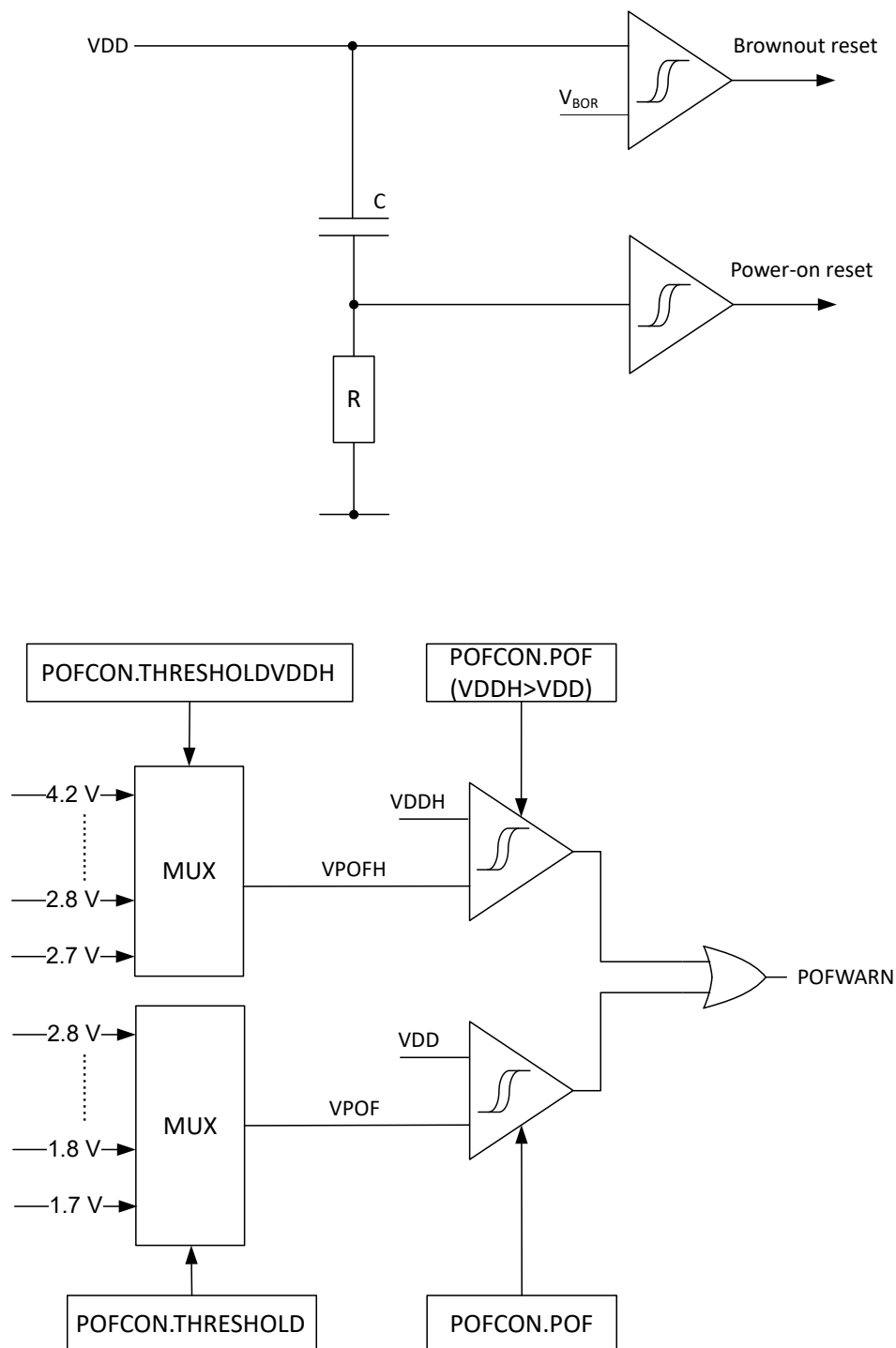


Figure 19: Power supply supervisor

5.3.1.5 Power-fail comparator

Using the power-fail comparator (POF) is optional. When enabled, it can provide an early warning to the CPU of an impending power supply failure.

To enable and configure the power-fail comparator, see the register [POFCON](#) on page 77.

When the supply voltage falls below the defined threshold, the power-fail comparator generates an event (POFWARN) that can be used by an application to prepare for power failure. This event is also generated when the supply voltage is already below the threshold at the time the power-fail comparator is enabled, or if the threshold is re-configured to a level above the supply voltage.

If the power failure warning is enabled, and the supply voltage is below the threshold, the power-fail comparator will prevent the **NVMC** from performing write operations to the flash.

The comparator features a hysteresis of V_{HYST} , as illustrated in the following figure.

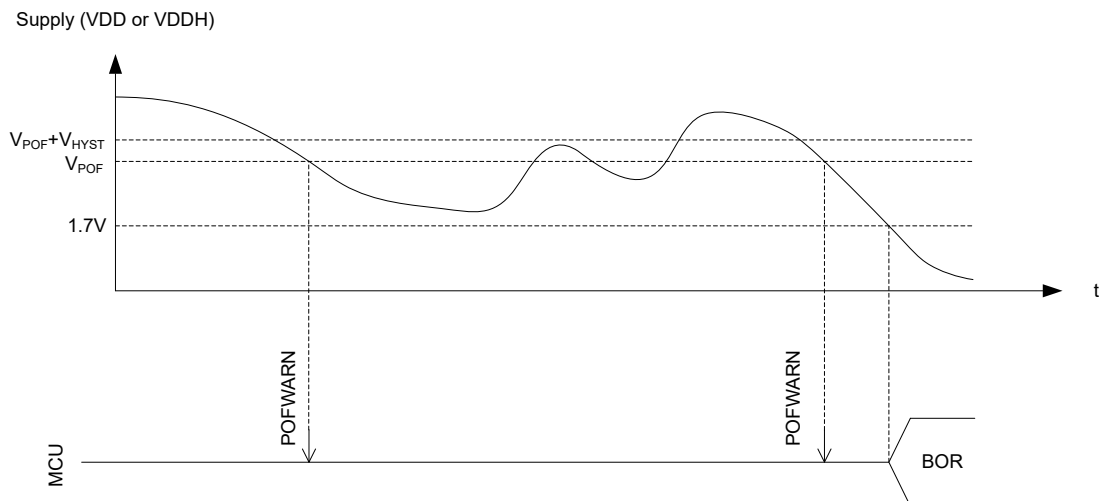


Figure 20: Power-fail comparator (BOR = brownout reset)

To save power, the power-fail comparator is not active in System OFF or System ON when HFCLK is not running.

5.3.2 USB supply

When using the USB peripheral, a 5 V USB supply needs to be provided to the VBUS pin.

The USB peripheral has a dedicated internal voltage regulator for converting the VBUS supply to 3.3 V used by the USB signalling interface (D+ and D- lines, and pull-up on D+). The remainder of the USB peripheral (USBD) is supplied through the main supply like other on-chip features. As a consequence, VBUS and either VDDH or VDD supplies are required for USB peripheral operation.

When VBUS rises into its valid range, the software is notified through a USBDETECTED event. A USBREMOVED event is sent when VBUS goes below its valid range. Use these events to implement the USBD start-up sequence described in the [USBD](#) chapter.

When VBUS rises into its valid range while the device is in System OFF, the device resets and transitions to System ON mode. The [RESETREAS](#) register will have the VBUS bit set to indicate the source of the wake-up.

See [VBUS detection specifications](#) on page 82 for the levels at which the events are sent ($V_{BUS,DETECT}$ and $V_{BUS,REMOVE}$) or at which the system is woken up from System OFF ($V_{BUS,DETECT}$).

When the USBD peripheral is enabled through the [ENABLE](#) register, and VBUS is detected, the regulator is turned on. A USBPWRRDY event is sent when the regulator's worst case settling time has elapsed, indicating to the software that it can enable the USB pull-up to signal a USB connection to the host.

The software can read the state of the VBUS detection and regulator output readiness at any time through the [USBREGSTATUS](#) register.

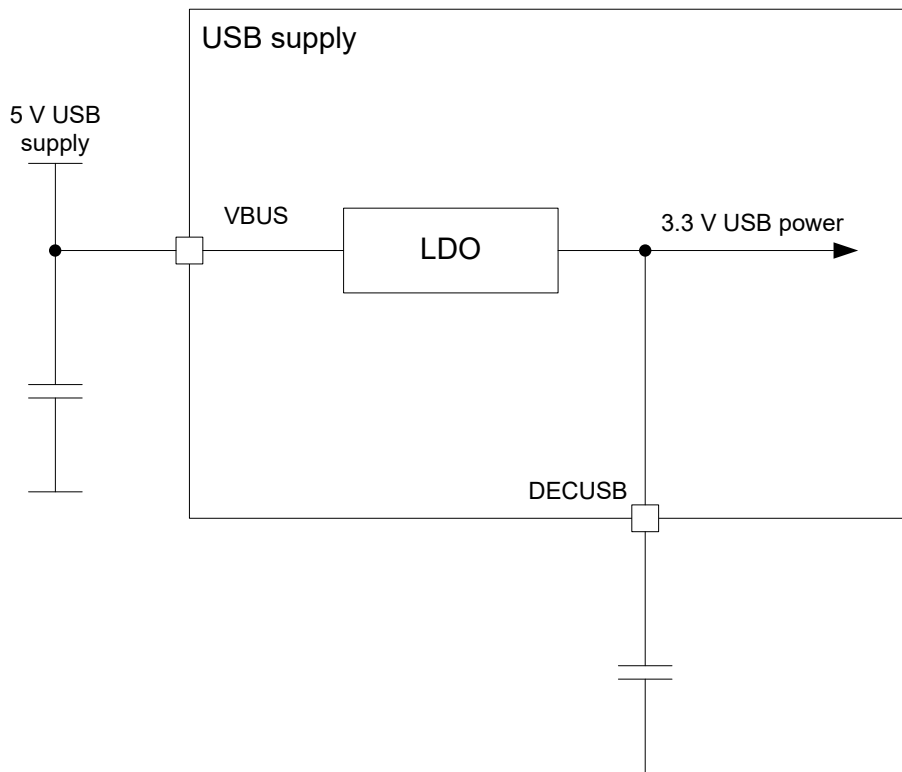


Figure 21: USB voltage regulator

To ensure stability, the input and output of the USB regulator need to be decoupled with a suitable decoupling capacitor. See [Reference circuitry](#) on page 570 for the recommended values.

5.3.3 System OFF mode

System OFF is the deepest power saving mode the system can enter. In this mode, the system's core functionality is powered down and all ongoing tasks are terminated.

The device can be put into System OFF mode using the register [SYSTEMOFF](#) on page 76. When in System OFF mode, the device can be woken up through one of the following signals:

- The DETECT signal, optionally generated by the GPIO peripheral.
- The ANADETECT signal, optionally generated by the LPCOMP module.
- The SENSE signal, optionally generated by the NFC module to wake-on-field.
- Detecting a [valid USB voltage](#) on the VBUS pin ($V_{BUS,DETECT}$).
- A reset.

The system is reset when it wakes up from System OFF mode.

One or more RAM sections can be retained in System OFF mode, depending on the settings in the RAM[n].POWER registers. RAM[n].POWER are retained registers. These registers are usually overwritten by the start-up code provided with the nRF application examples.

Before entering System OFF mode, all on-going EasyDMA transactions need to have completed. See peripheral specific chapters for more information about how to acquire the status of EasyDMA transactions.

5.3.3.1 Emulated System OFF mode

If the device is in Debug Interface mode, System OFF will be emulated to secure that all required resources needed for debugging are available during System OFF.

Required resources needed for debugging include the following key components:

- [Debug and trace](#) on page 47
- [CLOCK — Clock control](#) on page 82
- [POWER — Power supply](#) on page 61
- [NVMC — Non-volatile memory controller](#) on page 23
- [CPU](#) on page 18
- Flash memory
- RAM

See [Debug and trace](#) on page 47 for more information.

Because the CPU is kept on in an emulated System OFF mode, it is recommended to add an infinite loop directly after entering System OFF, to prevent the CPU from executing code that normally should not be executed.

5.3.4 System ON mode

System ON is the default state after power-on reset. In System ON mode, all functional blocks such as the CPU or peripherals can be in IDLE or RUN mode, depending on the configuration set by the software and the state of the application executing.

Register [RESETREAS](#) on page 75 provides information about the source causing the wakeup or reset.

The system can switch the appropriate internal power sources on and off, depending on the amount of power needed at any given time. The power requirement of a peripheral is directly related to its activity level, and the activity level of a peripheral fluctuates when specific tasks are triggered or events are generated.

5.3.4.1 Sub-power modes

In System ON mode, when the CPU and all peripherals are in IDLE mode, the system can reside in one of the two sub-power modes.

The sub-power modes are:

- Constant Latency
- Low-power

In Constant Latency mode, the CPU wakeup latency and the PPI task response are constant and kept at a minimum. This is secured by forcing a set of basic resources to be turned on while in sleep. The cost of constant and predictable latency is increased power consumption. Constant Latency mode is selected by triggering the CONSTLAT task.

In Low-power mode, the automatic power management system described in [System ON mode](#) on page 68 ensures that the most efficient supply option is chosen to save power. The cost of having the lowest possible power consumption is a varying CPU wakeup latency and PPI task response. Low-power mode is selected by triggering the LOWPWR task.

When the system enters System ON mode, it is by default in the sub-power mode Low-power.

5.3.5 RAM power control

The RAM power control registers are used for configuring the following:

- The RAM sections to be retained during System OFF
- The RAM sections to be retained and accessible during System ON

In System OFF, retention of a RAM section is configured in the RETENTION field of the corresponding register [RAM\[n\].POWER \(n=0..8\)](#) on page 79.

In System ON, retention and accessibility of a RAM section is configured in the RETENTION and POWER fields of the corresponding register [RAM\[n\].POWER \(n=0..8\)](#) on page 79.

The following table summarizes the behavior of these registers.

Configuration			RAM section status	
System on/off	RAM[n].POWER.POWER	RAM[n].POWER.RETENTION	Accessible	Retained
Off	x	Off	No	No
Off	x	On	No	Yes
On	Off	Off	No	No
On	Off ⁵	On	No	Yes
On	On	x	Yes	Yes

Table 17: RAM section configuration

The advantage of not retaining RAM contents is that the overall current consumption is reduced.

See [Memory](#) on page 19 for more information on RAM sections.

5.3.6 Reset

Several sources may trigger a reset.

After a reset has occurred, register [RESETREAS](#) can be read to determine which source triggered the reset.

5.3.6.1 Power-on reset

The power-on reset generator initializes the system at power-on.

The system is held in reset state until the supply has reached the minimum operating voltage and the internal voltage regulators have started.

5.3.6.2 Pin reset

A pin reset is generated when the physical reset pin on the device is asserted.

Pin reset is configured via both registers [PSELRESET\[n\]](#) ($n=0..1$) on page 42.

5.3.6.3 Wakeup from System OFF mode reset

The device is reset when it wakes up from System OFF mode.

The debug access port (DAP) is not reset following a wake up from System OFF mode if the device is in Debug Interface mode. See chapter [Debug and trace](#) on page 47 for more information.

5.3.6.4 Soft reset

A soft reset is generated when the SYSRESETREQ bit of the application interrupt and reset control register (AIRCR) in the ARM® core is set.

See [ARM documentation](#) for more details.

A soft reset can also be generated via the register [RESET](#) on page 51 in the CTRL-AP.

5.3.6.5 Watchdog reset

A Watchdog reset is generated when the watchdog times out.

See chapter [WDT — Watchdog timer](#) on page 555 for more information.

⁵ Not useful. RAM section power off gives negligible reduction in current consumption when retention is on.

5.3.6.6 Brownout reset

The brownout reset generator puts the system in a reset state if VDD drops below the brownout reset (BOR) threshold.

See section [Power fail comparator](#) on page 81 for more information.

5.3.6.7 Retained registers

A retained register is one that will retain its value in System OFF mode and through a reset, depending on the reset source. See the individual peripheral chapters for information on which of their registers are retained.

5.3.6.8 Reset behavior

The various reset sources and their targets are summarized in the table below.

Reset source	Reset target								
	CPU	Peripherals	GPIO	Debug ⁶	SWJ-DP	RAM	WDT	Retained registers	RESETRAS
CPU lockup ⁷	x	x	x						
Soft reset	x	x	x						
Wakeup from System OFF mode reset	x	x		x ⁸		x ⁹	x		
Watchdog reset ¹⁰	x	x	x	x		x	x	x	
Pin reset	x	x	x	x		x	x	x	
Brownout reset	x	x	x	x	x	x	x	x	x
Power-on reset	x	x	x	x	x	x	x	x	x

Note: The RAM is never reset, but depending on a reset source the content of RAM may be corrupted.

5.3.7 Registers

Base address	Peripheral	Instance	Description	Configuration
0x40000000	POWER	POWER	Power control	

Table 18: Instances

Register	Offset	Description
TASKS_CONSTLAT	0x78	Enable Constant Latency mode
TASKS_LOWPWR	0x7C	Enable Low-power mode (variable latency)
EVENTS_POFWARN	0x108	Power failure warning
EVENTS_SLEEPENTER	0x114	CPU entered WFI/WFE sleep

⁶ All debug components excluding SWJ-DP. See [Debug and trace](#) on page 47 for more information about the different debug components.

⁷ Reset from CPU lockup is disabled if the device is in Debug Interface mode. CPU lockup is not possible in System OFF.

⁸ The debug components will not be reset if the device is in Debug Interface mode.

⁹ RAM is not reset on wakeup from System OFF mode. RAM, or certain parts of RAM, may not be retained after the device has entered System OFF mode, depending on the settings in the RAM registers.

¹⁰ Watchdog reset is not available in System OFF.

Register	Offset	Description	
EVENTS_SLEEPEXIT	0x118	CPU exited WFI/WFE sleep	
EVENTS_USBDTECTED	0x11C	Voltage supply detected on VBUS	
EVENTS_USBREMOVED	0x120	Voltage supply removed from VBUS	
EVENTS_USBPWRDY	0x124	USB 3.3 V supply ready	
INTENSET	0x304	Enable interrupt	
INTENCLR	0x308	Disable interrupt	
RESETRAS	0x400	Reset reason	
RAMSTATUS	0x428	RAM status register	Deprecated
USBREGSTATUS	0x438	USB supply status	
SYSTEMOFF	0x500	System OFF register	
POFCON	0x510	Power-fail comparator configuration	
GPREGRET	0x51C	General purpose retention register	
GPREGRET2	0x520	General purpose retention register	
DCDCEN	0x578	Enable DC/DC converter for REG1 stage	
MAINREGSTATUS	0x640	Main supply status	
RAM[0].POWER	0x900	RAM0 power control register	
RAM[0].POWERSET	0x904	RAM0 power control set register	
RAM[0].POWERCLR	0x908	RAM0 power control clear register	
RAM[1].POWER	0x910	RAM1 power control register	
RAM[1].POWERSET	0x914	RAM1 power control set register	
RAM[1].POWERCLR	0x918	RAM1 power control clear register	
RAM[2].POWER	0x920	RAM2 power control register	
RAM[2].POWERSET	0x924	RAM2 power control set register	
RAM[2].POWERCLR	0x928	RAM2 power control clear register	
RAM[3].POWER	0x930	RAM3 power control register	
RAM[3].POWERSET	0x934	RAM3 power control set register	
RAM[3].POWERCLR	0x938	RAM3 power control clear register	
RAM[4].POWER	0x940	RAM4 power control register	
RAM[4].POWERSET	0x944	RAM4 power control set register	
RAM[4].POWERCLR	0x948	RAM4 power control clear register	
RAM[5].POWER	0x950	RAM5 power control register	
RAM[5].POWERSET	0x954	RAM5 power control set register	
RAM[5].POWERCLR	0x958	RAM5 power control clear register	
RAM[6].POWER	0x960	RAM6 power control register	
RAM[6].POWERSET	0x964	RAM6 power control set register	
RAM[6].POWERCLR	0x968	RAM6 power control clear register	
RAM[7].POWER	0x970	RAM7 power control register	
RAM[7].POWERSET	0x974	RAM7 power control set register	
RAM[7].POWERCLR	0x978	RAM7 power control clear register	
RAM[8].POWER	0x980	RAM8 power control register	
RAM[8].POWERSET	0x984	RAM8 power control set register	
RAM[8].POWERCLR	0x988	RAM8 power control clear register	

Table 19: Register overview

5.3.7.1 TASKS_CONSTLAT

Address offset: 0x78

Enable Constant Latency mode

Bit number	31	30	29	28	27	26	25	24	23	22	21	20	19	18	17	16	15	14	13	12	11	10	9	8	7	6	5	4	3	2	1	0
ID																																A
Reset 0x00000000	0 0																															
ID	Acce	Field	Value ID	Value	Description																											
A	W	TASKS_CONSTLAT	Trigger	1	Enable Constant Latency mode Trigger task																											

5.3.7.2 TASKS_LOWPWR

Address offset: 0x7C

Enable Low-power mode (variable latency)

Bit number	31	30	29	28	27	26	25	24	23	22	21	20	19	18	17	16	15	14	13	12	11	10	9	8	7	6	5	4	3	2	1	0
ID																																A
Reset 0x00000000	0 0																															
ID	Acce	Field	Value ID	Value	Description																											
A	W	TASKS_LOWPWR	Trigger	1	Enable Low-power mode (variable latency) Trigger task																											

5.3.7.3 EVENTS_POFWARN

Address offset: 0x108

Power failure warning

Bit number	31	30	29	28	27	26	25	24	23	22	21	20	19	18	17	16	15	14	13	12	11	10	9	8	7	6	5	4	3	2	1	0
ID																																A
Reset 0x00000000	0 0																															
ID	Acce	Field	Value ID	Value	Description																											
A	RW	EVENTS_POFWARN	NotGenerated	0	Power failure warning Event not generated																											
			Generated	1	Event generated																											

5.3.7.4 EVENTS_SLEEPENTER

Address offset: 0x114

CPU entered WFI/WFE sleep

Bit number	31	30	29	28	27	26	25	24	23	22	21	20	19	18	17	16	15	14	13	12	11	10	9	8	7	6	5	4	3	2	1	0
ID																																A
Reset 0x00000000	0 0																															
ID	Acce	Field	Value ID	Value	Description																											
A	RW	EVENTS_SLEEPENTER	NotGenerated	0	CPU entered WFI/WFE sleep Event not generated																											
			Generated	1	Event generated																											

5.3.7.5 EVENTS_SLEEPEXIT

Address offset: 0x118

CPU exited WFI/WFE sleep

Bit number	31	30	29	28	27	26	25	24	23	22	21	20	19	18	17	16	15	14	13	12	11	10	9	8	7	6	5	4	3	2	1	0	
ID																																A	
Reset	0x00000000																																
0	0	0	0	0	0	0	0	0	0	0	0	0	0	0	0	0	0	0	0	0	0	0	0	0	0	0	0	0	0	0	0	0	0
ID	Acce Field	Value ID	Value	Description																													
A	RW	EVENTS_SLEEPEXIT		CPU exited WFI/WFE sleep																													
		NotGenerated	0	Event not generated																													
		Generated	1	Event generated																													

5.3.7.6 EVENTS_USBDETECTED

Address offset: 0x11C

Voltage supply detected on VBUS

Bit number	31	30	29	28	27	26	25	24	23	22	21	20	19	18	17	16	15	14	13	12	11	10	9	8	7	6	5	4	3	2	1	0
ID																																A
Reset	0x00000000																															
0	0	0	0	0	0	0	0	0	0	0	0	0	0	0	0	0	0	0	0	0	0	0	0	0	0	0	0	0	0	0	0	0
ID	Acce Field	Value ID	Value	Description																												
A	RW	EVENTS_USBDETECTED		Voltage supply detected on VBUS																												
		NotGenerated	0	Event not generated																												
		Generated	1	Event generated																												

5.3.7.7 EVENTS_USBREMOVED

Address offset: 0x120

Voltage supply removed from VBUS

Bit number	31	30	29	28	27	26	25	24	23	22	21	20	19	18	17	16	15	14	13	12	11	10	9	8	7	6	5	4	3	2	1	0
ID																																A
Reset	0x00000000																															
0	0	0	0	0	0	0	0	0	0	0	0	0	0	0	0	0	0	0	0	0	0	0	0	0	0	0	0	0	0	0	0	0
ID	Acce Field	Value ID	Value	Description																												
A	RW	EVENTS_USBREMOVED		Voltage supply removed from VBUS																												
		NotGenerated	0	Event not generated																												
		Generated	1	Event generated																												

5.3.7.8 EVENTS_USBPWRRDY

Address offset: 0x124

USB 3.3 V supply ready

Bit number	31	30	29	28	27	26	25	24	23	22	21	20	19	18	17	16	15	14	13	12	11	10	9	8	7	6	5	4	3	2	1	0
ID																																A
Reset	0x00000000																															
0	0	0	0	0	0	0	0	0	0	0	0	0	0	0	0	0	0	0	0	0	0	0	0	0	0	0	0	0	0	0	0	0
ID	Acce Field	Value ID	Value	Description																												
A	RW	EVENTS_USBPWRRDY		USB 3.3 V supply ready																												
		NotGenerated	0	Event not generated																												
		Generated	1	Event generated																												

5.3.7.9 INTENSET

Address offset: 0x304

Enable interrupt

Bit number		31 30 29 28 27 26 25 24 23 22 21 20 19 18 17 16 15 14 13 12 11 10 9 8 7 6 5 4 3 2 1 0																																
ID																												F	E	D	C	B	A	
Reset 0x00000000		0 0																																
ID	Acce Field	Value ID	Value	Description																														
A	RW POFWARN			Write '1' to enable interrupt for event POFWARN																														
		Set	1	Enable																														
		Disabled	0	Read: Disabled																														
B	RW SLEEPENTER	Enabled	1	Read: Enabled																														
		Set	1	Enable																														
		Disabled	0	Read: Disabled																														
C	RW SLEEPEXIT	Enabled	1	Read: Enabled																														
		Set	1	Enable																														
		Disabled	0	Read: Disabled																														
D	RW USBDETECTED	Enabled	1	Read: Enabled																														
		Set	1	Enable																														
		Disabled	0	Read: Disabled																														
E	RW USBREMOVED	Enabled	1	Read: Enabled																														
		Set	1	Enable																														
		Disabled	0	Read: Disabled																														
F	RW USBPWRRDY	Enabled	1	Read: Enabled																														
		Set	1	Enable																														
		Disabled	0	Read: Disabled																														

5.3.7.10 INTENCLR

Address offset: 0x308

Disable interrupt

Bit number		31 30 29 28 27 26 25 24 23 22 21 20 19 18 17 16 15 14 13 12 11 10 9 8 7 6 5 4 3 2 1 0																																
ID																												F	E	D	C	B	A	
Reset 0x00000000		0 0																																
ID	Acce Field	Value ID	Value	Description																														
A	RW POFWARN			Write '1' to disable interrupt for event POFWARN																														
		Clear	1	Disable																														
		Disabled	0	Read: Disabled																														
B	RW SLEEPENTER	Enabled	1	Read: Enabled																														
		Clear	1	Disable																														
		Disabled	0	Read: Disabled																														
C	RW SLEEPEXIT	Enabled	1	Read: Enabled																														
		Clear	1	Disable																														
		Disabled	0	Read: Disabled																														
D	RW USBDETECTED	Enabled	1	Read: Enabled																														
		Clear	1	Disable																														
		Disabled	0	Read: Disabled																														

Bit number	31 30 29 28 27 26 25 24 23 22 21 20 19 18 17 16 15 14 13 12 11 10 9 8 7 6 5 4 3 2 1 0																																	
ID																													F	E	D	C	B	A
Reset 0x00000000	0 0																																	
ID	Acce Field	Value ID	Value	Description																														
		Enabled	1	Read: Enabled																														
E	RW USBREMOVED			Write '1' to disable interrupt for event USBREMOVED																														
		Clear	1	Disable																														
		Disabled	0	Read: Disabled																														
		Enabled	1	Read: Enabled																														
F	RW USBPWRRDY			Write '1' to disable interrupt for event USBPWRRDY																														
		Clear	1	Disable																														
		Disabled	0	Read: Disabled																														
		Enabled	1	Read: Enabled																														

5.3.7.11 RESETPREAS

Address offset: 0x400

Reset reason

Unless cleared, the RESETPREAS register will be cumulative. A field is cleared by writing '1' to it. If none of the reset sources are flagged, this indicates that the chip was reset from the on-chip reset generator, which will indicate a power-on-reset or a brownout reset.

Bit number	31 30 29 28 27 26 25 24 23 22 21 20 19 18 17 16 15 14 13 12 11 10 9 8 7 6 5 4 3 2 1 0																																								
ID																													I	H	G	F	E					D	C	B	A
Reset 0x00000000	0 0																																								
ID	Acce Field	Value ID	Value	Description																																					
A	RW RESETPIN			Reset from pin-reset detected																																					
		NotDetected	0	Not detected																																					
		Detected	1	Detected																																					
B	RW DOG			Reset from watchdog detected																																					
		NotDetected	0	Not detected																																					
		Detected	1	Detected																																					
C	RW SREQ			Reset from soft reset detected																																					
		NotDetected	0	Not detected																																					
		Detected	1	Detected																																					
D	RW LOCKUP			Reset from CPU lock-up detected																																					
		NotDetected	0	Not detected																																					
		Detected	1	Detected																																					
E	RW OFF			Reset due to wake up from System OFF mode when wakeup is triggered from DETECT signal from GPIO																																					
		NotDetected	0	Not detected																																					
		Detected	1	Detected																																					
F	RW LPCOMP			Reset due to wake up from System OFF mode when wakeup is triggered from ANADETECT signal from LPCOMP																																					
		NotDetected	0	Not detected																																					
		Detected	1	Detected																																					
G	RW DIF			Reset due to wake up from System OFF mode when wakeup is triggered from entering into debug interface mode																																					
		NotDetected	0	Not detected																																					
		Detected	1	Detected																																					
H	RW NFC			Reset due to wake up from System OFF mode by NFC field detect																																					
		NotDetected	0	Not detected																																					

Bit number	31 30 29 28 27 26 25 24 23 22 21 20 19 18 17 16 15 14 13 12 11 10 9 8 7 6 5 4 3 2 1 0																																								
ID																													I	H	G	F	E					D	C	B	A
Reset	0x00000000																																								
0	0	0	0	0	0	0	0	0	0	0	0	0	0	0	0	0	0	0	0	0	0	0	0	0	0	0	0	0	0	0	0	0	0	0							
ID	Acce	Field	Value ID	Value	Description																																				
I	RW	VBUS	Detected	1	Detected																																				
			NotDetected	0	Not detected																																				
			Detected	1	Detected																																				
					Reset due to wake up from System OFF mode by VBUS rising into valid range																																				

5.3.7.12 RAMSTATUS (Deprecated)

Address offset: 0x428

RAM status register

Since this register is deprecated the following substitutions have been made: RAM block 0 is equivalent to a block comprising RAM0.S0 and RAM1.S0. RAM block 1 is equivalent to a block comprising RAM2.S0 and RAM3.S0. RAM block 2 is equivalent to a block comprising RAM4.S0 and RAM5.S0. RAM block 3 is equivalent to a block comprising RAM6.S0 and RAM7.S0. A RAM block field will indicate ON as long as any of the RAM sections associated with a block are on.

Bit number	31 30 29 28 27 26 25 24 23 22 21 20 19 18 17 16 15 14 13 12 11 10 9 8 7 6 5 4 3 2 1 0																																
ID																													D	C	B	A	
Reset	0x00000000																																
0	0	0	0	0	0	0	0	0	0	0	0	0	0	0	0	0	0	0	0	0	0	0	0	0	0	0	0	0	0	0	0	0	0
ID	Acce	Field	Value ID	Value	Description																												
A-D	R	RAMBLOCK[i] (i=0..3)	Off	0	Off																												
			On	1	On																												
					RAM block i is on or off/powering up																												

5.3.7.13 USBREGSTATUS

Address offset: 0x438

USB supply status

Bit number	31 30 29 28 27 26 25 24 23 22 21 20 19 18 17 16 15 14 13 12 11 10 9 8 7 6 5 4 3 2 1 0																															
ID																													B	A		
Reset	0x00000000																															
0	0	0	0	0	0	0	0	0	0	0	0	0	0	0	0	0	0	0	0	0	0	0	0	0	0	0	0	0	0	0	0	0
ID	Acce	Field	Value ID	Value	Description																											
A	R	VBUSDETECT	NoVbus	0	VBUS input detection status (USBDETECTED and USBREMOVED events are derived from this information)																											
			VbusPresent	1	VBUS voltage below valid threshold																											
					VBUS voltage above valid threshold																											
B	R	OUTPUTRDY	NotReady	0	USB supply output settling time elapsed																											
			Ready	1	USBREG output settling time not elapsed																											
					USBREG output settling time elapsed (same information as USBPWRDY event)																											

5.3.7.14 SYSTEMOFF

Address offset: 0x500

System OFF register

Bit number	31	30	29	28	27	26	25	24	23	22	21	20	19	18	17	16	15	14	13	12	11	10	9	8	7	6	5	4	3	2	1	0
ID																																A
Reset 0x00000000	0 0																															
ID	Acce	Field	Value ID	Value	Description																											
A	W	SYSTEMOFF	Enter	1	Enable System OFF mode																											
					Enable System OFF mode																											

5.3.7.15 POFCON

Address offset: 0x510

Power-fail comparator configuration

Bit number	31	30	29	28	27	26	25	24	23	22	21	20	19	18	17	16	15	14	13	12	11	10	9	8	7	6	5	4	3	2	1	0								
ID																					D	D	D	D												B	B	B	B	A
Reset 0x00000000	0 0																																							
ID	Acce	Field	Value ID	Value	Description																																			
A	RW	POF	Disabled	0	Enable or disable power failure warning																																			
			Enabled	1	Disable																																			
					Enable																																			
B	RW	THRESHOLD			Power-fail comparator threshold setting. This setting applies both for normal voltage mode (supply connected to both VDD and VDDH) and high voltage mode (supply connected to VDDH only). Values 0-3 set threshold below 1.7 V and should not be used as brown out detection will be activated before power failure warning on such low voltages.																																			
			V17	4	Set threshold to 1.7 V																																			
			V18	5	Set threshold to 1.8 V																																			
			V19	6	Set threshold to 1.9 V																																			
			V20	7	Set threshold to 2.0 V																																			
			V21	8	Set threshold to 2.1 V																																			
			V22	9	Set threshold to 2.2 V																																			
			V23	10	Set threshold to 2.3 V																																			
			V24	11	Set threshold to 2.4 V																																			
			V25	12	Set threshold to 2.5 V																																			
			V26	13	Set threshold to 2.6 V																																			
			V27	14	Set threshold to 2.7 V																																			
			V28	15	Set threshold to 2.8 V																																			
D	RW	THRESHOLDVDDH			Power-fail comparator threshold setting for high voltage mode (supply connected to VDDH only). This setting does not apply for normal voltage mode (supply connected to both VDD and VDDH).																																			
			V27	0	Set threshold to 2.7 V																																			
			V28	1	Set threshold to 2.8 V																																			
			V29	2	Set threshold to 2.9 V																																			
			V30	3	Set threshold to 3.0 V																																			
			V31	4	Set threshold to 3.1 V																																			
			V32	5	Set threshold to 3.2 V																																			
			V33	6	Set threshold to 3.3 V																																			
			V34	7	Set threshold to 3.4 V																																			
			V35	8	Set threshold to 3.5 V																																			
			V36	9	Set threshold to 3.6 V																																			
			V37	10	Set threshold to 3.7 V																																			
			V38	11	Set threshold to 3.8 V																																			

Bit number	31	30	29	28	27	26	25	24	23	22	21	20	19	18	17	16	15	14	13	12	11	10	9	8	7	6	5	4	3	2	1	0				
ID																					D	D	D	D								B	B	B	B	A
Reset 0x00000000	0 0																																			
ID	Acce Field	Value ID	Value	Description																																
		V39	12	Set threshold to 3.9 V																																
		V40	13	Set threshold to 4.0 V																																
		V41	14	Set threshold to 4.1 V																																
		V42	15	Set threshold to 4.2 V																																

5.3.7.16 GPREGRET

Address offset: 0x51C

General purpose retention register

Bit number	31	30	29	28	27	26	25	24	23	22	21	20	19	18	17	16	15	14	13	12	11	10	9	8	7	6	5	4	3	2	1	0
ID																					A A A A A A A A											
Reset 0x00000000	0 0																															
ID	Acce Field	Value ID	Value	Description																												
A	RW	GPREGRET		General purpose retention register																												
				This register is a retained register																												

5.3.7.17 GPREGRET2

Address offset: 0x520

General purpose retention register

Bit number	31	30	29	28	27	26	25	24	23	22	21	20	19	18	17	16	15	14	13	12	11	10	9	8	7	6	5	4	3	2	1	0
ID																					A A A A A A A A											
Reset 0x00000000	0 0																															
ID	Acce Field	Value ID	Value	Description																												
A	RW	GPREGRET		General purpose retention register																												
				This register is a retained register																												

5.3.7.18 DCDCEN

Address offset: 0x578

Enable DC/DC converter for REG1 stage

Bit number	31	30	29	28	27	26	25	24	23	22	21	20	19	18	17	16	15	14	13	12	11	10	9	8	7	6	5	4	3	2	1	0
ID																																
Reset 0x00000000	0 0																															
ID	Acce Field	Value ID	Value	Description																												
A	RW	DCDCEN		Enable DC/DC converter for REG1 stage.																												
		Disabled	0	Disable																												
		Enabled	1	Enable																												

5.3.7.19 MAINREGSTATUS

Address offset: 0x640

Main supply status

Bit number	31	30	29	28	27	26	25	24	23	22	21	20	19	18	17	16	15	14	13	12	11	10	9	8	7	6	5	4	3	2	1	0	
ID																																A	
Reset	0x00000000																																
0	0	0	0	0	0	0	0	0	0	0	0	0	0	0	0	0	0	0	0	0	0	0	0	0	0	0	0	0	0	0	0	0	0
ID	Acce	Field	Value ID	Value	Description																												
A	R	MAINREGSTATUS			Main supply status																												
			Normal	0	Normal voltage mode. Voltage supplied on VDD.																												
			High	1	High voltage mode. Voltage supplied on VDDH.																												

5.3.7.20 RAM[n].POWER (n=0..8)

Address offset: 0x900 + (n × 0x10)

RAMn power control register

Bit number	31	30	29	28	27	26	25	24	23	22	21	20	19	18	17	16	15	14	13	12	11	10	9	8	7	6	5	4	3	2	1	0
ID	f	e	d	c	b	a	Z	Y	X	W	V	U	T	S	R	Q	P	O	N	M	L	K	J	I	H	G	F	E	D	C	B	A
Reset	0x0000FFFF																															
0	0	0	0	0	0	0	0	0	0	0	0	0	0	0	0	0	1	1	1	1	1	1	1	1	1	1	1	1	1	1	1	
ID	Acce	Field	Value ID	Value	Description																											
A-P	RW	S[i]POWER (i=0..15)			Keep RAM section Si on or off in System ON mode.																											
			Off	0	Off																											
			On	1	On																											
Q-f	RW	S[i]RETENTION (i=0..15)			Keep retention on RAM section Si when RAM section is off																											
			Off	0	Off																											
			On	1	On																											

5.3.7.21 RAM[n].POWERSET (n=0..8)

Address offset: 0x904 + (n × 0x10)

RAMn power control set register

When read, this register will return the value of the POWER register.

Bit number	31	30	29	28	27	26	25	24	23	22	21	20	19	18	17	16	15	14	13	12	11	10	9	8	7	6	5	4	3	2	1	0
ID	f	e	d	c	b	a	Z	Y	X	W	V	U	T	S	R	Q	P	O	N	M	L	K	J	I	H	G	F	E	D	C	B	A
Reset	0x0000FFFF																															
0	0	0	0	0	0	0	0	0	0	0	0	0	0	0	0	0	1	1	1	1	1	1	1	1	1	1	1	1	1	1	1	
ID	Acce	Field	Value ID	Value	Description																											
A-P	W	S[i]POWER (i=0..15)			Keep RAM section Si of RAMn on or off in System ON mode																											
			On	1	On																											
Q-f	W	S[i]RETENTION (i=0..15)			Keep retention on RAM section Si when RAM section is switched off																											
			On	1	On																											

5.3.7.22 RAM[n].POWERCLR (n=0..8)

Address offset: 0x908 + (n × 0x10)

RAMn power control clear register

When read, this register will return the value of the POWER register.

Bit number	31	30	29	28	27	26	25	24	23	22	21	20	19	18	17	16	15	14	13	12	11	10	9	8	7	6	5	4	3	2	1	0
ID	f	e	d	c	b	a	Z	Y	X	W	V	U	T	S	R	Q	P	O	N	M	L	K	J	I	H	G	F	E	D	C	B	A
Reset 0x0000FFFF	0	0	0	0	0	0	0	0	0	0	0	0	0	0	0	1	1	1	1	1	1	1	1	1	1	1	1	1	1	1	1	
ID	Acce	Field	Value ID	Value	Description																											
A-P	W	S[i]POWER (i=0..15)	Off	1	Keep RAM section Si of RAMn on or off in System ON mode																											
Q-f	W	S[i]RETENTION (i=0..15)	Off	1	Keep retention on RAM section Si when RAM section is switched off																											

5.3.8 Electrical specification

5.3.8.1 Regulator operating conditions

Symbol	Description	Min.	Typ.	Max.	Units
V _{DD,POR}	VDD supply voltage needed during power-on reset	1.75			V
V _{DD}	Normal voltage mode operating voltage	1.7	3.0	3.6	V
V _{DDH}	High voltage mode operating voltage	2.5	3.7	5.5	V
C _{VDD}	Effective decoupling capacitance on the VDD pin	2.7	4.7	5.5	μF
C _{DEC4}	Effective decoupling capacitance on the DEC4 pin	0.7	1	1.3	μF

5.3.8.2 Regulator specifications, REG0 stage

Symbol	Description	Min.	Typ.	Max.	Units
V _{REG0OUT}	REG0 output voltage	1.8		3.3	V
V _{REG0OUT,ERR}	REG0 output voltage error (deviation from setting in REG0OUT on page 44)	-10		5	%
V _{REG0OUT,ERR,EXT}	REG0 output voltage error (deviation from setting in REG0OUT on page 44), extended temperature range	-10		7	%
V _{VDDH-VDD}	Required difference between input voltage (VDDH) and output voltage (VDD, configured in REG0OUT on page 44), VDDH > VDD	0.3			V

5.3.8.3 Device startup times

Symbol	Description	Min.	Typ.	Max.	Units
t _{POR}	Time in power-on reset after supply reaches minimum operating voltage, depending on supply rise time				
t _{POR,10μs}	VDD rise time 10 μs ¹¹		1	10	ms
t _{POR,10ms}	VDD rise time 10 ms ¹¹		9		ms
t _{POR,60ms}	VDD rise time 60 ms ¹¹		23	110	ms
t _{RISE,REG0OUT}	REG0 output (VDD) rise time after VDDH reaches minimum VDDH supply voltage ¹¹				
t _{RISE,REG0OUT,10μs}	VDDH rise time 10 μs ¹¹		0.22	1.55	ms
t _{RISE,REG0OUT,10ms}	VDDH rise time 10 ms ¹¹		5		ms
t _{RISE,REG0OUT,100ms}	VDDH rise time 100 ms ¹¹	30	50	80	ms
t _{PINR}	Reset time when using pin reset, depending on pin capacitance				
t _{PINR,500nF}	500 nF capacitance at reset pin			32.5	ms

¹¹ See [Recommended operating conditions](#) on page 611 for more information.

Symbol	Description	Min.	Typ.	Max.	Units
t _{PINR,10μF}	10 μF capacitance at reset pin			650	ms
t _{R2ON}	Time from power-on reset to System ON				
t _{R2ON,NOTCONF}	If reset pin not configured	tPOR			ms
t _{R2ON,CONF}	If reset pin configured	tPOR + tPINR			ms
t _{OFF2ON}	Time from OFF to CPU execute		16.5		μs
t _{IDLE2CPU}	Time from IDLE to CPU execute		3.0		μs
t _{EVTSET,CL1}	Time from HW event to PPI event in Constant Latency System ON mode		0.0625		μs
t _{EVTSET,CLO}	Time from HW event to PPI event in Low Power System ON mode		0.0625		μs

5.3.8.4 Power fail comparator

Symbol	Description	Min.	Typ.	Max.	Units
V _{POF,NV}	Nominal power level warning thresholds (falling supply voltage) in Normal voltage mode (supply on VDD). Levels are configurable between Min. and Max. in 100 mV increments	1.7		2.8	V
V _{POF,HV}	Nominal power level warning thresholds (falling supply voltage) in High voltage mode (supply on VDDH). Levels are configurable in 100 mV increments	2.7		4.2	V
V _{POFTOL}	Threshold voltage tolerance (applies in both Normal voltage mode and High voltage mode)	-5		5	%
V _{POFHYST}	Threshold voltage hysteresis (applies in both Normal voltage mode and High voltage mode)	40	50	60	mV
V _{BOR,OFF}	Brownout reset voltage range System OFF mode. Brownout only applies to the voltage on VDD	1.2		1.62	V
V _{BOR,ON}	Brownout reset voltage range System ON mode. Brownout only applies to the voltage on VDD	1.57	1.6	1.63	V

5.3.8.5 USB operating conditions

Symbol	Description	Min.	Typ.	Max.	Units
V _{BUS}	Supply voltage on VBUS pin	4.35	5	5.5	V
V _{DPDM}	Voltage on D+ and D- lines	VSS - 0.3		VUSB33 + 0.3	V

5.3.8.6 USB regulator specifications

Symbol	Description	Min.	Typ.	Max.	Units
I _{USB,QUIES}	USB regulator quiescent current drawn from VBUS (USB enabled)		170		μA
t _{USBPWRRDY}	Time from USB enabled to USBPWRRDY event triggered, V _{BUS} supply provided		1		ms
V _{USB33}	On voltage at the USB regulator output (DECUSB pin)	3.0	3.3	3.6	V
R _{SOURCE,VBUS}	Maximum source resistance on VBUS, including cable, when VDDH is not connected to VBUS			6	Ω
R _{SOURCE,VBUSVDDH}	Maximum source resistance on VBUS, including cable, when VDDH is connected to VBUS			3.8	Ω
C _{DECUSB}	Decoupling capacitor on the DECUSB pin	2.35	4.7	5.5	μF

5.3.8.7 VBUS detection specifications

Symbol	Description	Min.	Typ.	Max.	Units
V _{BUS,DETECT}	Voltage at which rising VBUS gets reported by USBDETECTED	3.4	4.0	4.3	V
V _{BUS,REMOVE}	Voltage at which decreasing VBUS gets reported by USBREMOVED	3.0	3.6	3.9	V

5.4 CLOCK — Clock control

The clock control system can source the system clocks from a range of internal or external high and low frequency oscillators and distribute them to modules based upon a module's individual requirements. Clock distribution is automated and grouped independently by module to limit current consumption in unused branches of the clock tree.

Listed here are the main features for CLOCK:

- 64 MHz on-chip oscillator
- 64 MHz crystal oscillator, using external 32 MHz crystal
- 32.768 kHz +/-500 ppm RC oscillator
- 32.768 kHz crystal oscillator, using external 32.768 kHz crystal
- 32.768 kHz oscillator synthesized from 64 MHz oscillator
- Firmware (FW) override control of crystal oscillator activity for low latency start up
- Automatic internal oscillator and clock control, and distribution for ultra-low power

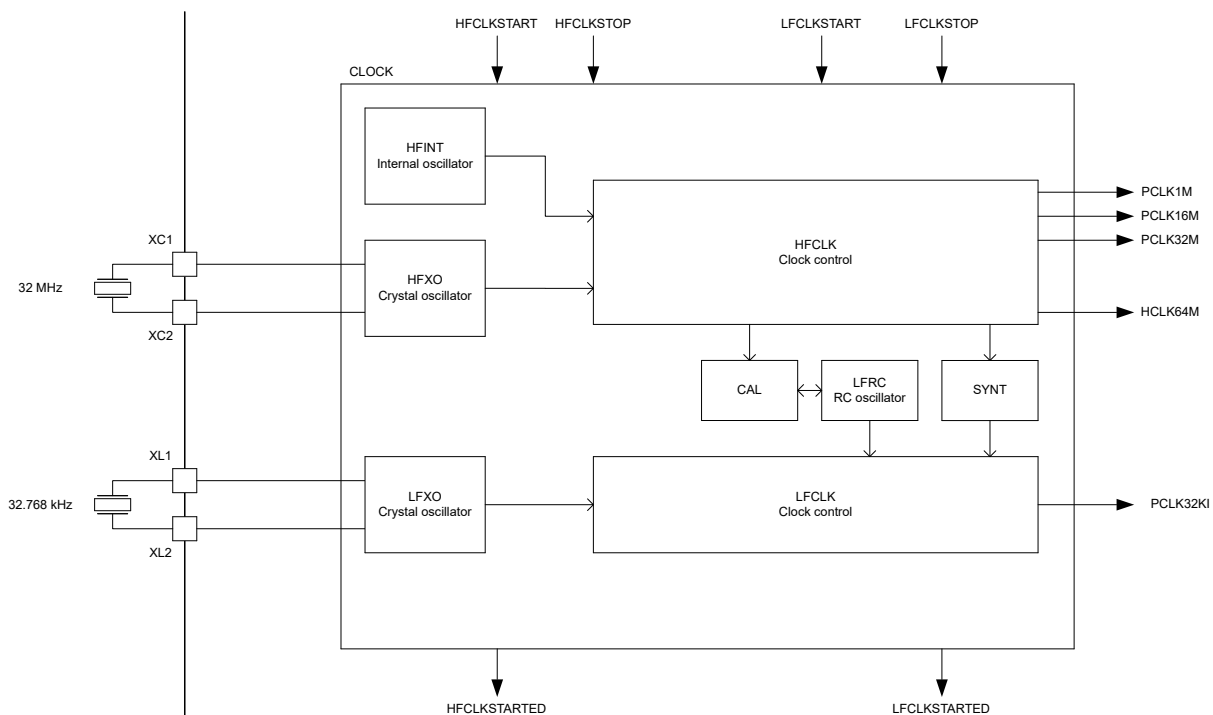


Figure 22: Clock control

5.4.1 HFCLK controller

The HFCLK controller provides several clock signals in the system.

These are as follows:

- HCLK64M: 64 MHz CPU clock
- PCLK1M: 1 MHz peripheral clock
- PCLK16M: 16 MHz peripheral clock
- PCLK32M: 32 MHz peripheral clock

The HFCLK controller uses the following high frequency clock (HFCLK) sources:

- 64 MHz internal oscillator (HFINT)
- 64 MHz crystal oscillator (HFXO)

For illustration, see [Clock control](#) on page 82.

The HFCLK controller will automatically provide the clock(s) requested by the system. If the system does not request any clocks from the HFCLK controller, the controller will enter a power saving mode.

The HFINT source will be used when HFCLK is requested and HFXO has not been started.

The HFXO is started by triggering the HFCLKSTART task and stopped by triggering the HFCLKSTOP task. When the HFCLKSTART task is triggered, the HFCLKSTARTED event is generated once the HFXO startup time has elapsed. The HFXO startup time is given as the sum of the following:

- HFXO power-up time, as specified in [64 MHz crystal oscillator \(HFXO\)](#) on page 95.
- HFXO debounce time, as specified in register [HFXODEBOUNCE](#) on page 94.

The HFXO must be running to use the RADIO or the calibration mechanism associated with the 32.768 kHz RC oscillator.

5.4.1.1 64 MHz crystal oscillator (HFXO)

The 64 MHz crystal oscillator (HFXO) is controlled by a 32 MHz external crystal.

The crystal oscillator is designed for use with an AT-cut quartz crystal in parallel resonant mode. To achieve correct oscillation frequency, the load capacitance must match the specification in the crystal data sheet.

[Circuit diagram of the 64 MHz crystal oscillator](#) on page 83 shows how the 32 MHz crystal is connected to the 64 MHz crystal oscillator.

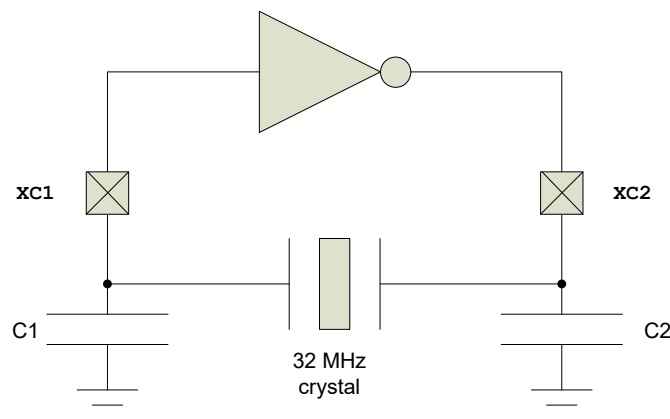


Figure 23: Circuit diagram of the 64 MHz crystal oscillator

The load capacitance (CL) is the total capacitance seen by the crystal across its terminals and is given by:

$$CL = \frac{(C1' \cdot C2')}{(C1' + C2')}$$

$$C1' = C1 + C_{pcb1} + C_{pin}$$

$$C2' = C2 + C_{pcb2} + C_{pin}$$

C1 and C2 are ceramic SMD capacitors connected between each crystal terminal and ground. For more information, see [Reference circuitry](#) on page 570. C_{pcb1} and C_{pcb2} are stray capacitances on the PCB. C_{pin} is the pin input capacitance on the XC1 and XC2 pins. See table [64 MHz crystal oscillator \(HFXO\)](#) on page 95. The load capacitors C1 and C2 should have the same value.

For reliable operation, the crystal load capacitance, shunt capacitance, equivalent series resistance, and drive level must comply with the specifications in table [64 MHz crystal oscillator \(HFXO\)](#) on page 95. It is recommended to use a crystal with lower than maximum load capacitance and/or shunt capacitance. A low load capacitance will reduce both start up time and current consumption.

5.4.2 LFCLK controller

The system supports several low frequency clock sources.

As illustrated in [Clock control](#) on page 82, the system supports the following low frequency clock sources:

- 32.768 kHz RC oscillator (LFRC)
- 32.768 kHz crystal oscillator (LFXO)
- 32.768 kHz synthesized from HFCLK (LFSYNT)

The LFCLK controller and all of the LFCLK clock sources are always switched off when in System OFF mode.

The LFCLK clock is started by first selecting the preferred clock source in register [LFCLKSRC](#) on page 93 and then triggering the LFCLKSTART task. If the LFXO is selected as the clock source, the LFCLK will initially start running from the 32.768 kHz LFRC while the LFXO is starting up and automatically switch to using the LFXO once this oscillator is running. The LFCLKSTARTED event will be generated when the LFXO has been started.

The register [LFXODEBOUNCE](#) on page 94 is used to configure the LFXO debounce time. The register must be modified if operating in the Extended Operating Conditions temperature range, see [Recommended operating conditions](#) on page 611. The LFXO start up time will be increased as a result.

The LFCLK clock is stopped by triggering the LFCLKSTOP task.

Register [LFCLKSRC](#) on page 93 controls the clock source, and its allowed swing. The truth table for various situations is as follows:

SRC	EXTERNAL	BYPASS	Comment
0	0	0	Normal operation, LFRC is source
0	0	1	DO NOT USE
0	1	X	DO NOT USE
1	0	0	Normal XTAL operation
1	1	0	Apply external low swing signal to XL1, ground XL2
1	1	1	Apply external full swing signal to XL1, leave XL2 grounded or unconnected
1	0	1	DO NOT USE
2	0	0	Normal operation, LFSYNT is source
2	0	1	DO NOT USE
2	1	X	DO NOT USE

Table 20: LFCLKSRC configuration depending on clock source

It is not allowed to write to register **LFCLKSRC** on page 93 when the LFCLK is running.

A LFCLKSTOP task will stop the LFCLK oscillator. However, the LFCLKSTOP task can only be triggered after the STATE field in register **LFCLKSTAT** on page 93 indicates LFCLK running state.

The synthesized 32.768 kHz clock depends on the HFCLK to run. If high accuracy is required for the LFCLK running off the synthesized 32.768 kHz clock, the HFCLK must running from the HFXO source.

5.4.2.1 32.768 kHz RC oscillator (LFRC)

The default source of the low frequency clock (LFCLK) is the 32.768 kHz RC oscillator (LFRC).

The LFRC oscillator does not require additional external components.

The LFRC frequency will be affected by variation in temperature. The LFRC oscillator can be calibrated to improve accuracy by using the HFXO as a reference oscillator during calibration.

5.4.2.2 Calibrating the 32.768 kHz RC oscillator

After the LFRC oscillator is started and running, it can be calibrated by triggering the CAL task.

The LFRC oscillator will then temporarily request the HFCLK to be used as a reference for the calibration. A DONE event will be generated when calibration has finished. The HFCLK crystal oscillator has to be started (by triggering the HFCLKSTART task) in order for the calibration mechanism to work.

It is not allowed to stop the LFRC during an ongoing calibration.

5.4.2.3 Calibration timer

The calibration timer can be used to time the calibration interval of the 32.768 kHz RC oscillator.

The calibration timer is started by triggering the CTSTART task and stopped by triggering the CTSTOP task. The calibration timer will always start counting down from the value specified in **CTIV (Retained)** on page 95 and generate a CTTO event when it reaches 0. The calibration timer will automatically stop when it reaches 0.

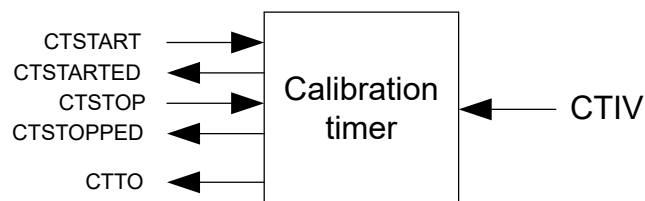


Figure 24: Calibration timer

After a CTSTART task has been triggered, the calibration timer will ignore further tasks until it has returned the CTSTARTED event. Likewise, after a CTSTOP task has been triggered, the calibration timer will ignore further tasks until it has returned a CTSTOPPED event. Triggering CTSTART while the calibration timer

is running will immediately return a CTSTARTED event. Triggering CTSTOP when the calibration timer is stopped will immediately return a CTSTOPPED event.

5.4.2.4 32.768 kHz crystal oscillator (LFXO)

For higher LFCLK accuracy (when better than +/- 500 ppm accuracy is required), the low frequency crystal oscillator (LFXO) must be used.

The following external clock sources are supported:

- Low swing clock signal applied to the XL1 pin. The XL2 pin shall then be grounded.
- Rail-to-rail clock signal applied to the XL1 pin. The XL2 pin shall then be grounded or left unconnected.

To achieve correct oscillation frequency, the load capacitance must match the specification in the crystal data sheet. [Circuit diagram of the 32.768 kHz crystal oscillator](#) on page 86 shows the LFXO circuitry.

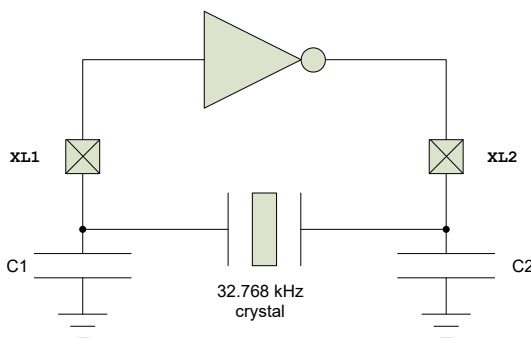


Figure 25: Circuit diagram of the 32.768 kHz crystal oscillator

The load capacitance (CL) is the total capacitance seen by the crystal across its terminals and is given by:

$$CL = \frac{(C1' \cdot C2')}{(C1' + C2')}$$

$$C1' = C1 + C_{pcb1} + C_{pin}$$

$$C2' = C2 + C_{pcb2} + C_{pin}$$

C1 and C2 are ceramic SMD capacitors connected between each crystal terminal and ground. C_{pcb1} and C_{pcb2} are stray capacitances on the PCB. C_{pin} is the pin input capacitance on the XC1 and XC2 pins (see [Low frequency crystal oscillator \(LFXO\)](#) on page 96). The load capacitors C1 and C2 should have the same value.

For more information, see [Reference circuitry](#) on page 570.

5.4.2.5 32.768 kHz synthesized from HFCLK (LFSYNT)

LFCLK can also be synthesized from the HFCLK clock source. The accuracy of LFCLK will then be the accuracy of the HFCLK.

Using the LFSYNT clock avoids the requirement for a 32.768 kHz crystal, but increases average power consumption as the HFCLK will need to be requested in the system.

5.4.3 Registers

Base address	Peripheral	Instance	Description	Configuration
0x40000000	CLOCK	CLOCK	Clock control	

Table 21: Instances

Register	Offset	Description	
TASKS_HFCLKSTART	0x000	Start HFXO crystal oscillator	
TASKS_HFCLKSTOP	0x004	Stop HFXO crystal oscillator	
TASKS_LFCLKSTART	0x008	Start LFCLK	
TASKS_LFCLKSTOP	0x00C	Stop LFCLK	
TASKS_CAL	0x010	Start calibration of LFRC	
TASKS_CTSTART	0x014	Start calibration timer	
TASKS_CTSTOP	0x018	Stop calibration timer	
EVENTS_HFCLKSTARTED	0x100	HFXO crystal oscillator started	
EVENTS_LFCLKSTARTED	0x104	LFCLK started	
EVENTS_DONE	0x10C	Calibration of LFRC completed	
EVENTS_CTTO	0x110	Calibration timer timeout	
EVENTS_CTSTARTED	0x128	Calibration timer has been started and is ready to process new tasks	
EVENTS_CTSTOPPED	0x12C	Calibration timer has been stopped and is ready to process new tasks	
INTENSET	0x304	Enable interrupt	
INTENCLR	0x308	Disable interrupt	
HFCLKRUN	0x408	Status indicating that HFCLKSTART task has been triggered	
HFCLKSTAT	0x40C	HFCLK status	
LFCLKRUN	0x414	Status indicating that LFCLKSTART task has been triggered	
LFCLKSTAT	0x418	LFCLK status	
LFCLKSRC_COPY	0x41C	Copy of LFCLKSRC register, set when LFCLKSTART task was triggered	
LFCLKSRC	0x518	Clock source for the LFCLK	
HFXODEBOUNCE	0x528	HFXO debounce time. The HFXO is started by triggering the TASKS_HFCLKSTART task.	
LFXODEBOUNCE	0x52C	LFXO debounce time. The LFXO is started by triggering the TASKS_LFCLKSTART task when the LFCLKSRC register is configured for Xtal.	
CTIV	0x538	Calibration timer interval	Retained
TRACECONFIG	0x55C	Clocking options for the trace port debug interface	

Table 22: Register overview

5.4.3.1 TASKS_HFCLKSTART

Address offset: 0x000

Start HFXO crystal oscillator

Bit number	31	30	29	28	27	26	25	24	23	22	21	20	19	18	17	16	15	14	13	12	11	10	9	8	7	6	5	4	3	2	1	0
ID																																A
Reset 0x00000000	0	0	0	0	0	0	0	0	0	0	0	0	0	0	0	0	0	0	0	0	0	0	0	0	0	0	0	0	0	0	0	0
ID	Acce	Field	Value ID	Value	Description																											
A	W	TASKS_HFCLKSTART	Trigger	1	Start HFXO crystal oscillator Trigger task																											

5.4.3.2 TASKS_HFCLKSTOP

Address offset: 0x004

Stop HFXO crystal oscillator

Bit number	31 30 29 28 27 26 25 24 23 22 21 20 19 18 17 16 15 14 13 12 11 10 9 8 7 6 5 4 3 2 1 0																														
ID	A																														
Reset 0x00000000	0 0																														
ID	Acce Field	Value ID	Value	Description																											
A	W TASKS_HFCLKSTOP			Stop HFXO crystal oscillator																											
		Trigger	1	Trigger task																											

5.4.3.3 TASKS_LFCLKSTART

Address offset: 0x008

Start LFCLK

Bit number	31 30 29 28 27 26 25 24 23 22 21 20 19 18 17 16 15 14 13 12 11 10 9 8 7 6 5 4 3 2 1 0																														
ID	A																														
Reset 0x00000000	0 0																														
ID	Acce Field	Value ID	Value	Description																											
A	W TASKS_LFCLKSTART			Start LFCLK																											
		Trigger	1	Trigger task																											

5.4.3.4 TASKS_LFCLKSTOP

Address offset: 0x00C

Stop LFCLK

Bit number	31 30 29 28 27 26 25 24 23 22 21 20 19 18 17 16 15 14 13 12 11 10 9 8 7 6 5 4 3 2 1 0																														
ID	A																														
Reset 0x00000000	0 0																														
ID	Acce Field	Value ID	Value	Description																											
A	W TASKS_LFCLKSTOP			Stop LFCLK																											
		Trigger	1	Trigger task																											

5.4.3.5 TASKS_CAL

Address offset: 0x010

Start calibration of LFRC

Bit number	31 30 29 28 27 26 25 24 23 22 21 20 19 18 17 16 15 14 13 12 11 10 9 8 7 6 5 4 3 2 1 0																														
ID	A																														
Reset 0x00000000	0 0																														
ID	Acce Field	Value ID	Value	Description																											
A	W TASKS_CAL			Start calibration of LFRC																											
		Trigger	1	Trigger task																											

5.4.3.6 TASKS_CTSTART

Address offset: 0x014

Start calibration timer

Bit number	31	30	29	28	27	26	25	24	23	22	21	20	19	18	17	16	15	14	13	12	11	10	9	8	7	6	5	4	3	2	1	0
ID																																A
Reset 0x00000000	0 0																															
ID	Acce	Field	Value ID	Value	Description																											
A	W	TASKS_CTSTART			Start calibration timer																											
			Trigger	1	Trigger task																											

5.4.3.7 TASKS_CTSTOP

Address offset: 0x018

Stop calibration timer

Bit number	31	30	29	28	27	26	25	24	23	22	21	20	19	18	17	16	15	14	13	12	11	10	9	8	7	6	5	4	3	2	1	0
ID																																A
Reset 0x00000000	0 0																															
ID	Acce	Field	Value ID	Value	Description																											
A	W	TASKS_CTSTOP			Stop calibration timer																											
			Trigger	1	Trigger task																											

5.4.3.8 EVENTS_HFCLKSTARTED

Address offset: 0x100

HF XO crystal oscillator started

Bit number	31	30	29	28	27	26	25	24	23	22	21	20	19	18	17	16	15	14	13	12	11	10	9	8	7	6	5	4	3	2	1	0
ID																																A
Reset 0x00000000	0 0																															
ID	Acce	Field	Value ID	Value	Description																											
A	RW	EVENTS_HFCLKSTARTED			HF XO crystal oscillator started																											
			NotGenerated	0	Event not generated																											
			Generated	1	Event generated																											

5.4.3.9 EVENTS_LFCLKSTARTED

Address offset: 0x104

LFCLK started

Bit number	31	30	29	28	27	26	25	24	23	22	21	20	19	18	17	16	15	14	13	12	11	10	9	8	7	6	5	4	3	2	1	0
ID																																A
Reset 0x00000000	0 0																															
ID	Acce	Field	Value ID	Value	Description																											
A	RW	EVENTS_LFCLKSTARTED			LFCLK started																											
			NotGenerated	0	Event not generated																											
			Generated	1	Event generated																											

5.4.3.10 EVENTS_DONE

Address offset: 0x10C

Calibration of LFRC completed

Bit number	31	30	29	28	27	26	25	24	23	22	21	20	19	18	17	16	15	14	13	12	11	10	9	8	7	6	5	4	3	2	1	0	
ID																																A	
Reset	0x00000000																																
0	0	0	0	0	0	0	0	0	0	0	0	0	0	0	0	0	0	0	0	0	0	0	0	0	0	0	0	0	0	0	0	0	0
ID	Acce Field	Value ID	Value	Description																													
A	RW	EVENTS_DONE		Calibration of LFRC completed																													
		NotGenerated	0	Event not generated																													
		Generated	1	Event generated																													

5.4.3.11 EVENTS_CTTO

Address offset: 0x110

Calibration timer timeout

Bit number	31	30	29	28	27	26	25	24	23	22	21	20	19	18	17	16	15	14	13	12	11	10	9	8	7	6	5	4	3	2	1	0
ID																																A
Reset	0x00000000																															
0	0	0	0	0	0	0	0	0	0	0	0	0	0	0	0	0	0	0	0	0	0	0	0	0	0	0	0	0	0	0	0	0
ID	Acce Field	Value ID	Value	Description																												
A	RW	EVENTS_CTTO		Calibration timer timeout																												
		NotGenerated	0	Event not generated																												
		Generated	1	Event generated																												

5.4.3.12 EVENTS_CTSTARTED

Address offset: 0x128

Calibration timer has been started and is ready to process new tasks

Bit number	31	30	29	28	27	26	25	24	23	22	21	20	19	18	17	16	15	14	13	12	11	10	9	8	7	6	5	4	3	2	1	0
ID																																A
Reset	0x00000000																															
0	0	0	0	0	0	0	0	0	0	0	0	0	0	0	0	0	0	0	0	0	0	0	0	0	0	0	0	0	0	0	0	0
ID	Acce Field	Value ID	Value	Description																												
A	RW	EVENTS_CTSTARTED		Calibration timer has been started and is ready to process new tasks																												
		NotGenerated	0	Event not generated																												
		Generated	1	Event generated																												

5.4.3.13 EVENTS_CTSTOPPED

Address offset: 0x12C

Calibration timer has been stopped and is ready to process new tasks

Bit number	31	30	29	28	27	26	25	24	23	22	21	20	19	18	17	16	15	14	13	12	11	10	9	8	7	6	5	4	3	2	1	0
ID																																A
Reset	0x00000000																															
0	0	0	0	0	0	0	0	0	0	0	0	0	0	0	0	0	0	0	0	0	0	0	0	0	0	0	0	0	0	0	0	0
ID	Acce Field	Value ID	Value	Description																												
A	RW	EVENTS_CTSTOPPED		Calibration timer has been stopped and is ready to process new tasks																												
		NotGenerated	0	Event not generated																												
		Generated	1	Event generated																												

5.4.3.14 INTENSET

Address offset: 0x304

Enable interrupt

Bit number	31 30 29 28 27 26 25 24 23 22 21 20 19 18 17 16 15 14 13 12 11 10 9 8 7 6 5 4 3 2 1 0																																			
ID																												F	E				D	C	B	A
Reset 0x00000000	0 0																																			
ID	Acce Field	Value ID	Value	Description																																
A	RW HFCLKSTARTED			Write '1' to enable interrupt for event HFCLKSTARTED																																
		Set	1	Enable																																
		Disabled	0	Read: Disabled																																
		Enabled	1	Read: Enabled																																
		B	RW LFCLKSTARTED			Write '1' to enable interrupt for event LFCLKSTARTED																														
				Set	1	Enable																														
Disabled	0			Read: Disabled																																
		Enabled	1	Read: Enabled																																
		C	RW DONE			Write '1' to enable interrupt for event DONE																														
				Set	1	Enable																														
Disabled	0			Read: Disabled																																
		Enabled	1	Read: Enabled																																
		D	RW CTTO			Write '1' to enable interrupt for event CTTO																														
				Set	1	Enable																														
Disabled	0			Read: Disabled																																
		Enabled	1	Read: Enabled																																
		E	RW CTSTARTED			Write '1' to enable interrupt for event CTSTARTED																														
				Set	1	Enable																														
Disabled	0			Read: Disabled																																
		Enabled	1	Read: Enabled																																
		F	RW CTSTOPPED			Write '1' to enable interrupt for event CTSTOPPED																														
				Set	1	Enable																														
Disabled	0			Read: Disabled																																
		Enabled	1	Read: Enabled																																

5.4.3.15 INTENCLR

Address offset: 0x308

Disable interrupt

Bit number	31 30 29 28 27 26 25 24 23 22 21 20 19 18 17 16 15 14 13 12 11 10 9 8 7 6 5 4 3 2 1 0																																			
ID																												F	E				D	C	B	A
Reset 0x00000000	0 0																																			
ID	Acce Field	Value ID	Value	Description																																
A	RW HFCLKSTARTED			Write '1' to disable interrupt for event HFCLKSTARTED																																
		Clear	1	Disable																																
		Disabled	0	Read: Disabled																																
		Enabled	1	Read: Enabled																																
		B	RW LFCLKSTARTED			Write '1' to disable interrupt for event LFCLKSTARTED																														
				Clear	1	Disable																														
Disabled	0			Read: Disabled																																
		Enabled	1	Read: Enabled																																
		C	RW DONE			Write '1' to disable interrupt for event DONE																														
				Clear	1	Disable																														
Disabled	0			Read: Disabled																																
		Enabled	1	Read: Enabled																																
		D	RW CTTO			Write '1' to disable interrupt for event CTTO																														

Bit number	31 30 29 28 27 26 25 24 23 22 21 20 19 18 17 16 15 14 13 12 11 10 9 8 7 6 5 4 3 2 1 0																																				
ID																														F	E			D	C	B	A
Reset 0x00000000	0 0																																				
ID	Acce	Field	Value ID	Value	Description																																
			Clear	1	Disable																																
			Disabled	0	Read: Disabled																																
			Enabled	1	Read: Enabled																																
E	RW	CTSTARTED			Write '1' to disable interrupt for event CTSTARTED																																
			Clear	1	Disable																																
			Disabled	0	Read: Disabled																																
			Enabled	1	Read: Enabled																																
F	RW	CTSTOPPED			Write '1' to disable interrupt for event CTSTOPPED																																
			Clear	1	Disable																																
			Disabled	0	Read: Disabled																																
			Enabled	1	Read: Enabled																																

5.4.3.16 HFCLKRUN

Address offset: 0x408

Status indicating that HFCLKSTART task has been triggered

Bit number	31 30 29 28 27 26 25 24 23 22 21 20 19 18 17 16 15 14 13 12 11 10 9 8 7 6 5 4 3 2 1 0																															
ID																																A
Reset 0x00000000	0 0																															
ID	Acce	Field	Value ID	Value	Description																											
A	R	STATUS			HFCLKSTART task triggered or not																											
			NotTriggered	0	Task not triggered																											
			Triggered	1	Task triggered																											

5.4.3.17 HFCLKSTAT

Address offset: 0x40C

HFCLK status

Bit number	31 30 29 28 27 26 25 24 23 22 21 20 19 18 17 16 15 14 13 12 11 10 9 8 7 6 5 4 3 2 1 0																															
ID																														B		A
Reset 0x00000000	0 0																															
ID	Acce	Field	Value ID	Value	Description																											
A	R	SRC			Source of HFCLK																											
			RC	0	64 MHz internal oscillator (HFINT)																											
			Xtal	1	64 MHz crystal oscillator (HF XO)																											
B	R	STATE			HFCLK state																											
			NotRunning	0	HFCLK not running																											
			Running	1	HFCLK running																											

5.4.3.18 LFCLKRUN

Address offset: 0x414

Status indicating that LFCLKSTART task has been triggered

Bit number	31	30	29	28	27	26	25	24	23	22	21	20	19	18	17	16	15	14	13	12	11	10	9	8	7	6	5	4	3	2	1	0
ID																																A
Reset	0x00000000																															
Reset	0 0																															
ID	Acce	Field	Value ID	Value	Description																											
A	R	STATUS			LFCLKSTART task triggered or not																											
			NotTriggered	0	Task not triggered																											
			Triggered	1	Task triggered																											

5.4.3.19 LFCLKSTAT

Address offset: 0x418

LFCLK status

Bit number	31	30	29	28	27	26	25	24	23	22	21	20	19	18	17	16	15	14	13	12	11	10	9	8	7	6	5	4	3	2	1	0
ID																B											A	A				
Reset	0x00000000																															
Reset	0 0																															
ID	Acce	Field	Value ID	Value	Description																											
A	R	SRC			Source of LFCLK																											
			RC	0	32.768 kHz RC oscillator (LFRC)																											
			Xtal	1	32.768 kHz crystal oscillator (LFXO)																											
			Synth	2	32.768 kHz synthesized from HFCLK (LFSYNT)																											
B	R	STATE			LFCLK state																											
			NotRunning	0	LFCLK not running																											
			Running	1	LFCLK running																											

5.4.3.20 LFCLKSRCCOPY

Address offset: 0x41C

Copy of LFCLKSRC register, set when LFCLKSTART task was triggered

Bit number	31	30	29	28	27	26	25	24	23	22	21	20	19	18	17	16	15	14	13	12	11	10	9	8	7	6	5	4	3	2	1	0	
ID																																A	A
Reset	0x00000000																																
Reset	0 0																																
ID	Acce	Field	Value ID	Value	Description																												
A	R	SRC			Clock source																												
			RC	0	32.768 kHz RC oscillator (LFRC)																												
			Xtal	1	32.768 kHz crystal oscillator (LFXO)																												
			Synth	2	32.768 kHz synthesized from HFCLK (LFSYNT)																												

5.4.3.21 LFCLKSRC

Address offset: 0x518

Clock source for the LFCLK

Bit number	31 30 29 28 27 26 25 24 23 22 21 20 19 18 17 16 15 14 13 12 11 10 9 8 7 6 5 4 3 2 1 0																														
ID	C B																													A A	
Reset 0x00000000	0 0																														
ID	Acce	Field	Value ID	Value	Description																										
A	RW	SRC			Clock source																										
			RC	0	32.768 kHz RC oscillator (LFRC)																										
			Xtal	1	32.768 kHz crystal oscillator (LFXO)																										
			Synth	2	32.768 kHz synthesized from HFCLK (LFSYNT)																										
B	RW	BYPASS			Enable or disable bypass of LFCLK crystal oscillator with external clock source																										
			Disabled	0	Disable (use with Xtal or low-swing external source)																										
			Enabled	1	Enable (use with rail-to-rail external source)																										
C	RW	EXTERNAL			Enable or disable external source for LFCLK																										
			Disabled	0	Disable external source (use with Xtal)																										
			Enabled	1	Enable use of external source instead of Xtal (SRC needs to be set to Xtal)																										

5.4.3.22 HFXODEBOUNCE

Address offset: 0x528

HFXO debounce time. The HFXO is started by triggering the TASKS_HFCLKSTART task.

The EVENTS_HFCLKSTARTED event is generated after the HFXO power up time + the HFXO debounce time has elapsed. It is not allowed to change the value of this register while the HFXO is starting.

Bit number	31 30 29 28 27 26 25 24 23 22 21 20 19 18 17 16 15 14 13 12 11 10 9 8 7 6 5 4 3 2 1 0																														
ID	A A A A A A A A																													A A	
Reset 0x00000010	0 0																														
ID	Acce	Field	Value ID	Value	Description																										
A	RW	HFXODEBOUNCE		0x01..0xFF	HFXO debounce time. Debounce time = HFXODEBOUNCE * 16 μ s.																										
			Db256us	0x10	256 μ s debounce time. Recommended for 1.6 mm x 2.0 mm crystals and larger.																										
			Db1024us	0x40	1024 μ s debounce time. Recommended for 1.6 mm x 1.2 mm crystals and smaller.																										

5.4.3.23 LFXODEBOUNCE

Address offset: 0x52C

LFXO debounce time. The LFXO is started by triggering the TASKS_LFCLKSTART task when the LFCLKSRC register is configured for Xtal.

The EVENTS_LFCLKSTARTED event is generated after the LFXO debounce time has elapsed. It is not allowed to change the value of this register while the LFXO is starting.

Bit number	31 30 29 28 27 26 25 24 23 22 21 20 19 18 17 16 15 14 13 12 11 10 9 8 7 6 5 4 3 2 1 0																														
ID																															A
Reset 0x00000000	0 0																														
ID	Acce	Field	Value ID	Value	Description																										
A	RW	LFXODEBOUNCE			LFXO debounce time.																										
			Normal	0	8192 32.768 kHz periods, or 0.25 s. Recommended for normal Operating Temperature conditions.																										
			Extended	1	16384 32.768 kHz periods, or 0.5 s. Recommended for Extended Operating Temperature conditions.																										

5.4.3.24 CTIV (Retained)

Address offset: 0x538

This register is a retained register

Calibration timer interval

Bit number	31	30	29	28	27	26	25	24	23	22	21	20	19	18	17	16	15	14	13	12	11	10	9	8	7	6	5	4	3	2	1	0
ID																											A	A	A	A	A	A
Reset 0x00000000	0 0																															
ID	Acce Field	Value ID	Value	Description																												
A	RW	CTIV		Calibration timer interval in multiple of 0.25 seconds. Range: 0.25 seconds to 31.75 seconds.																												

5.4.3.25 TRACECONFIG

Address offset: 0x55C

Clocking options for the trace port debug interface

This register is a retained register. Reset behavior is the same as debug components.

Bit number	31	30	29	28	27	26	25	24	23	22	21	20	19	18	17	16	15	14	13	12	11	10	9	8	7	6	5	4	3	2	1	0
ID																											B	B			A	A
Reset 0x00000000	0 0																															
ID	Acce Field	Value ID	Value	Description																												
A	RW	TRACEPORTSPEED		Speed of trace port clock. Note that the TRACECLK pin will output this clock divided by two.																												
			32MHz	0	32 MHz trace port clock (TRACECLK = 16 MHz)																											
			16MHz	1	16 MHz trace port clock (TRACECLK = 8 MHz)																											
			8MHz	2	8 MHz trace port clock (TRACECLK = 4 MHz)																											
			4MHz	3	4 MHz trace port clock (TRACECLK = 2 MHz)																											
B	RW	TRACEMUX		Pin multiplexing of trace signals. See pin assignment chapter for more details.																												
			GPIO	0	No trace signals routed to pins. All pins can be used as regular GPIOs.																											
			Serial	1	SWO trace signal routed to pin. Remaining pins can be used as regular GPIOs.																											
			Parallel	2	All trace signals (TRACECLK and TRACEDATA[n]) routed to pins.																											

5.4.4 Electrical specification

5.4.4.1 64 MHz internal oscillator (HFINT)

Symbol	Description	Min.	Typ.	Max.	Units
f _{NOM_HFINT}	Nominal output frequency		64		MHz
f _{TOL_HFINT}	Frequency tolerance		±1.5	±8	%
f _{TOL_HFINT,EXT}	Frequency tolerance, extended temperature range			±9	%

5.4.4.2 64 MHz crystal oscillator (HF XO)

Symbol	Description	Min.	Typ.	Max.	Units
$f_{\text{NOM_HFXO}}$	Nominal output frequency		64		MHz
$f_{\text{XTAL_HFXO}}$	External crystal frequency		32		MHz
$f_{\text{TOL_HFXO}}$	Frequency tolerance requirement for 2.4 GHz proprietary radio applications			±60	ppm
$f_{\text{TOL_HFXO_BLE}}$	Frequency tolerance requirement, Bluetooth low energy applications, packet length ≤ 200 bytes			±40	ppm
$f_{\text{TOL_HFXO_BLE_LP}}$	Frequency tolerance requirement, Bluetooth low energy applications, packet length > 200 bytes			±30	ppm
$C_{\text{L_HFXO}}$	Load capacitance			12	pF
$C_{\text{O_HFXO}}$	Shunt capacitance			7	pF
$R_{\text{S_HFXO_7PF}}$	Equivalent series resistance 3 pF < C0 ≤ 7 pF			60	Ω
$R_{\text{S_HFXO_3PF}}$	Equivalent series resistance C0 ≤ 3 pF			100	Ω
$P_{\text{D_HFXO}}$	Drive level			100	μW
$C_{\text{PIN_HFXO}}$	Input capacitance XC1 and XC2		3		pF
$I_{\text{STBY_X32M}}$	Core standby current for various crystals				
$I_{\text{STBY_X32M_X0}}$	Typical parameters for a given 2.5mm x 2.0mm crystal: CL_HFXO = 8 pF, CO_HFXO = 1 pF, LM_HFXO = 7 mH, RS_HFXO = 20 Ω		65		μA
$I_{\text{STBY_X32M_X1}}$	Typical parameters for a given 1.6mm x 1.2mm crystal: CL_HFXO = 8 pF, CO_HFXO = 0.4 pF, LM_HFXO = 20 mH, RS_HFXO = 40 Ω		110		μA
$I_{\text{START_X32M}}$	Average startup current for various crystals, first 1 ms				
$I_{\text{START_X32M_X0}}$	Typical parameters for a given 2.5mm x 2.0mm crystal: CL_HFXO = 8 pF, CO_HFXO = 1 pF, LM_HFXO = 7 mH, RS_HFXO = 20 Ω		360		μA
$I_{\text{START_X32M_X1}}$	Typical parameters for a given 1.6mm x 1.2mm crystal: CL_HFXO = 8 pF, CO_HFXO = 0.4 pF, LM_HFXO = 20 mH, RS_HFXO = 40 Ω		785		μA
$t_{\text{POWERUP_X32M}}$	Power-up time for various crystals				
$t_{\text{POWERUP_X32M_X0}}$	Typical parameters for a given 2.5mm x 2.0mm crystal: CL_HFXO = 8 pF, CO_HFXO = 1 pF, LM_HFXO = 7 mH, RS_HFXO = 20 Ω		60		μs
$t_{\text{POWERUP_X32M_X1}}$	Typical parameters for a given 1.6mm x 1.2mm crystal: CL_HFXO = 8 pF, CO_HFXO = 0.4 pF, LM_HFXO = 20 mH, RS_HFXO = 40 Ω		200		μs

5.4.4.3 Low frequency crystal oscillator (LFXO)

Symbol	Description	Min.	Typ.	Max.	Units
$f_{\text{NOM_LFXO}}$	Crystal frequency		32.768		kHz
$f_{\text{TOL_LFXO_BLE}}$	Frequency tolerance requirement for BLE stack			±500	ppm
$f_{\text{TOL_LFXO_ANT}}$	Frequency tolerance requirement for ANT stack			±50	ppm
$C_{\text{L_LFXO}}$	Load capacitance			12.5	pF
$C_{\text{O_LFXO}}$	Shunt capacitance			2	pF
$R_{\text{S_LFXO}}$	Equivalent series resistance			100	kΩ
$P_{\text{D_LFXO}}$	Drive level			0.5	μW
C_{pin}	Input capacitance on XL1 and XL2 pads		4		pF
I_{LFXO}	Run current for 32.768 kHz crystal oscillator		0.23		μA
$t_{\text{START_LFXO}}$	Startup time for 32.768 kHz crystal oscillator		0.25		s

Symbol	Description	Min.	Typ.	Max.	Units
t _{START_LFXO_EXT}	Startup time for 32.768 kHz crystal oscillator when CLOCK.LFXODEBOUNCE configured for Extended debounce time		0.5		s
V _{AMP,IN,XO,LOW}	Peak to peak amplitude for external low swing clock. Input signal must not swing outside supply rails.	200		1000	mV

5.4.4.4 Low frequency RC oscillator (LFRC)

Symbol	Description	Min.	Typ.	Max.	Units
f _{NOM_LFRC}	Nominal frequency		32.768		kHz
f _{TOL_LFRC}	Frequency tolerance, uncalibrated			±5	%
f _{TOL_CAL_LFRC}	Frequency tolerance after calibration ¹²			±500	ppm
I _{LFRC}	Run current		0.7		μA
t _{START_LFRC}	Startup time		1000		μs

5.4.4.5 Synthesized low frequency clock (LFSYNT)

Symbol	Description	Min.	Typ.	Max.	Units
f _{NOM_LFSYNT}	Nominal frequency		32.768		kHz

¹² Constant temperature within ±0.5 °C, calibration performed at least every 8 seconds, averaging interval > 7.5 ms, defined as 3 sigma

6 Peripherals

6.1 Peripheral interface

Peripherals are controlled by the CPU by writing to configuration registers and task registers. Peripheral events are indicated to the CPU by event registers and interrupts if they are configured for a given event.

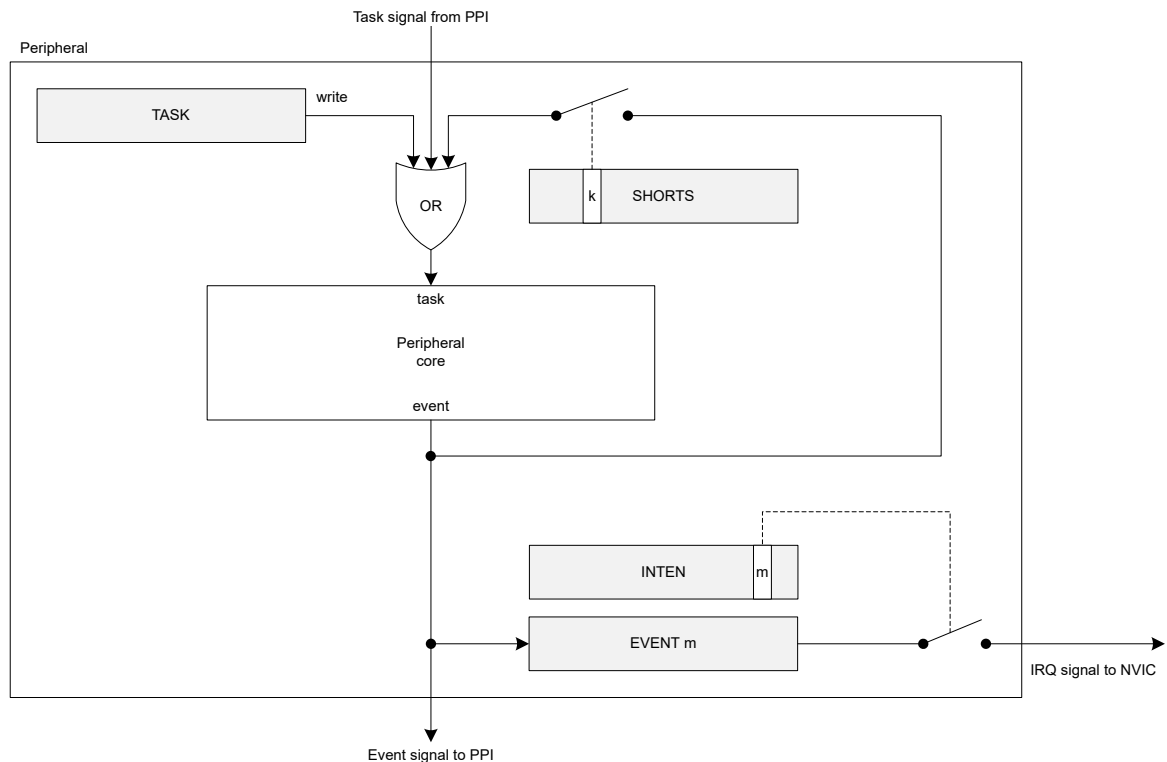


Figure 26: Tasks, events, shortcuts, and interrupts

6.1.1 Peripheral ID

Every peripheral is assigned a fixed block of 0x1000 bytes of address space, which is equal to 1024 x 32 bit registers.

See [Instantiation](#) on page 22 for more information about which peripherals are available and where they are located in the address map.

There is a direct relationship between peripheral ID and base address. For example, a peripheral with base address 0x40000000 is assigned ID=0, a peripheral with base address 0x40001000 is assigned ID=1, and a peripheral with base address 0x4001F000 is assigned ID=31.

Peripherals may share the same ID, which may impose one or more of the following limitations:

- Some peripherals share some registers or other common resources.
- Operation is mutually exclusive. Only one of the peripherals can be used at a time.
- Switching from one peripheral to another must follow a specific pattern (disable the first, then enable the second peripheral).

6.1.2 Peripherals with shared ID

In general (with the exception of ID 0), peripherals sharing an ID and base address may not be used simultaneously. The user can only enable one peripheral at the time on this specific ID.

When switching between two peripherals sharing an ID, the user should do the following to prevent unwanted behavior:

1. Disable the previously used peripheral.
2. Remove any programmable peripheral interconnect (PPI) connections set up for the peripheral that is being disabled.
3. Clear all bits in the INTEN register, i.e. `INTENCLR = 0xFFFFFFFF`.
4. Explicitly configure the peripheral that you are about to enable and do not rely on configuration values that may be inherited from the peripheral that was disabled.
5. Enable the now configured peripheral.

See which peripherals are sharing ID in [Instantiation](#) on page 22.

6.1.3 Peripheral registers

Most peripherals feature an ENABLE register. Unless otherwise specified in the relevant chapter, the peripheral registers (in particular the PSEL registers) must be configured before enabling the peripheral.

The peripheral must be enabled before tasks and events can be used.

6.1.4 Bit set and clear

Registers with multiple single-bit bit fields may implement the set-and-clear pattern. This pattern enables firmware to set and clear individual bits in a register without having to perform a read-modify-write operation on the main register.

This pattern is implemented using three consecutive addresses in the register map, where the main register is followed by dedicated SET and CLR registers (in that exact order).

The SET register is used to set individual bits in the main register while the CLR register is used to clear individual bits in the main register. Writing 1 to a bit in SET or CLR register will set or clear the same bit in the main register respectively. Writing 0 to a bit in SET or CLR register has no effect. Reading the SET or CLR register returns the value of the main register.

Note: The main register may not be visible and hence not directly accessible in all cases.

6.1.5 Tasks

Tasks are used to trigger actions in a peripheral, for example to start a particular behavior. A peripheral can implement multiple tasks with each task having a separate register in that peripheral's task register group.

A task is triggered when firmware writes 1 to the task register, or when the peripheral itself or another peripheral toggles the corresponding task signal. See [Tasks, events, shortcuts, and interrupts](#) on page 98.

6.1.6 Events

Events are used to notify peripherals and the CPU about events that have happened, for example a state change in a peripheral. A peripheral may generate multiple events with each event having a separate register in that peripheral's event register group.

An event is generated when the peripheral itself toggles the corresponding event signal, and the event register is updated to reflect that the event has been generated. See [Tasks, events, shortcuts, and interrupts](#) on page 98. An event register is only cleared when firmware writes 0 to it.

Events can be generated by the peripheral even when the event register is set to 1.

6.1.7 Shortcuts

A shortcut is a direct connection between an event and a task within the same peripheral. If a shortcut is enabled, the associated task is automatically triggered when its associated event is generated.

Using a shortcut is the equivalent to making the same connection outside the peripheral and through the PPI. However, the propagation delay through the shortcut is usually shorter than the propagation delay through the PPI.

Shortcuts are predefined, which means their connections cannot be configured by firmware. Each shortcut can be individually enabled or disabled through the shortcut register, one bit per shortcut, giving a maximum of 32 shortcuts for each peripheral.

6.1.8 Interrupts

All peripherals support interrupts. Interrupts are generated by events.

A peripheral only occupies one interrupt, and the interrupt number follows the peripheral ID. For example, the peripheral with ID=4 is connected to interrupt number 4 in the nested vectored interrupt controller (NVIC).

Using the INTEN, INTENSET, and INTENCLR registers, every event generated by a peripheral can be configured to generate that peripheral's interrupt. Multiple events can be enabled to generate interrupts simultaneously. To resolve the correct interrupt source, the event registers in the event group of peripheral registers will indicate the source.

Some peripherals implement only INTENSET and INTENCLR registers, and the INTEN register is not available on those peripherals. See the individual peripheral chapters for details. In all cases, reading back the INTENSET or INTENCLR register returns the same information as in INTEN.

Each event implemented in the peripheral is associated with a specific bit position in the INTEN, INTENSET, and INTENCLR registers.

The relationship between tasks, events, shortcuts, and interrupts is shown in [Tasks, events, shortcuts, and interrupts](#) on page 98.

Interrupt clearing

Clearing an interrupt by writing 0 to an event register, or disabling an interrupt using the INTENCLR register, can take up to four CPU clock cycles to take effect. This means that an interrupt may reoccur immediately, even if a new event has not come, if the program exits an interrupt handler after the interrupt is cleared or disabled but before four clock cycles have passed.

Note: To avoid an interrupt reoccurring before a new event has come, the program should perform a read from one of the peripheral registers. For example, the event register that has been cleared, or the INTENCLR register that has been used to disable the interrupt. This will cause a one to three-cycle delay and ensure the interrupt is cleared before exiting the interrupt handler.

Care should be taken to ensure the compiler does not remove the read operation as an optimization. If the program can guarantee a four-cycle delay after an event is cleared or an interrupt is disabled, then a read of a register is not required.

6.2 AAR — Accelerated address resolver

Accelerated address resolver is a cryptographic support function for implementing the Resolvable Private Address Resolution procedure described in *Bluetooth Core Specification v4.0*. Resolvable Private Address generation should be achieved using ECB and is not supported by AAR.

The procedure allows two devices that share a secret key to generate and resolve a hash based on their device address. The AAR block enables real-time address resolution on incoming packets when configured as described in this chapter. This allows real-time packet filtering (whitelisting) using a list of known shared keys (Identity Resolving Keys (IRK) in *Bluetooth*).

6.2.1 EasyDMA

AAR implements EasyDMA for reading and writing to RAM. EasyDMA will have finished accessing RAM when the END, RESOLVED, and NOTRESOLVED events are generated.

If the [IRKPTR](#) on page 106, [ADDRPTR](#) on page 106, and the [SCRATCHPTR](#) on page 106 is not pointing to the Data RAM region, an EasyDMA transfer may result in a HardFault or RAM corruption. See [Memory](#) on page 19 for more information about the different memory regions.

6.2.2 Resolving a resolvable address

A private resolvable address is composed of six bytes according to the *Bluetooth Core Specification*.

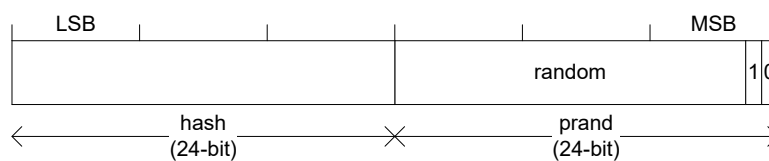


Figure 27: Resolvable address

To resolve an address, the register [ADDRPTR](#) on page 106 must point to the start of the packet. The resolver is started by triggering the START task. A RESOLVED event is generated when AAR manages to resolve the address using one of the Identity Resolving Keys (IRK) found in the IRK data structure. AAR will use the IRK specified in the register IRK0 to IRK15 starting from IRK0. The register [NIRK](#) on page 105 specifies how many IRKs should be used. The AAR module will generate a NOTRESOLVED event if it is not able to resolve the address using the specified list of IRKs.

AAR will go through the list of available IRKs in the IRK data structure and for each IRK try to resolve the address according to the Resolvable Private Address Resolution Procedure described in the *Bluetooth Core specification v4.0 [Vol 3]* chapter 10.8.2.3. The time it takes to resolve an address varies due to the location in the list of the resolvable address. The resolution time will also be affected by RAM accesses performed by other peripherals and the CPU. See the [Electrical specifications](#) for more information about resolution time.

AAR only compares the received address to those programmed in the module without checking the address type.

AAR will stop as soon as it has managed to resolve the address, or after trying to resolve the address using NIRK number of IRKs from the IRK data structure. AAR will generate an END event after it has stopped.

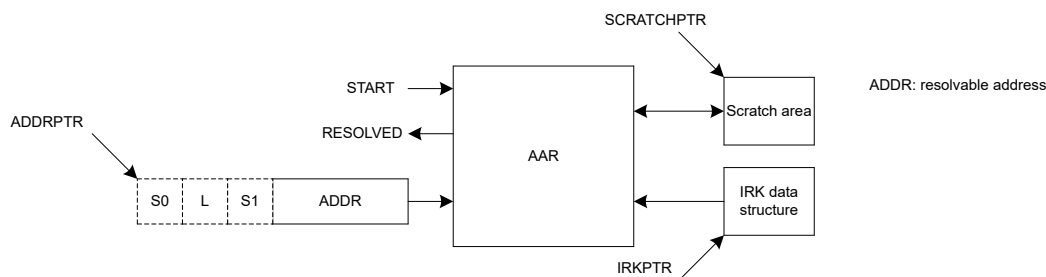


Figure 28: Address resolution with packet preloaded into RAM

6.2.3 Example

The following example shows how to chain RADIO packet reception with address resolution using AAR.

AAR may be started as soon as the 6 bytes required by AAR have been received by RADIO and stored in RAM. The ADDRPTR pointer must point to the start of packet.

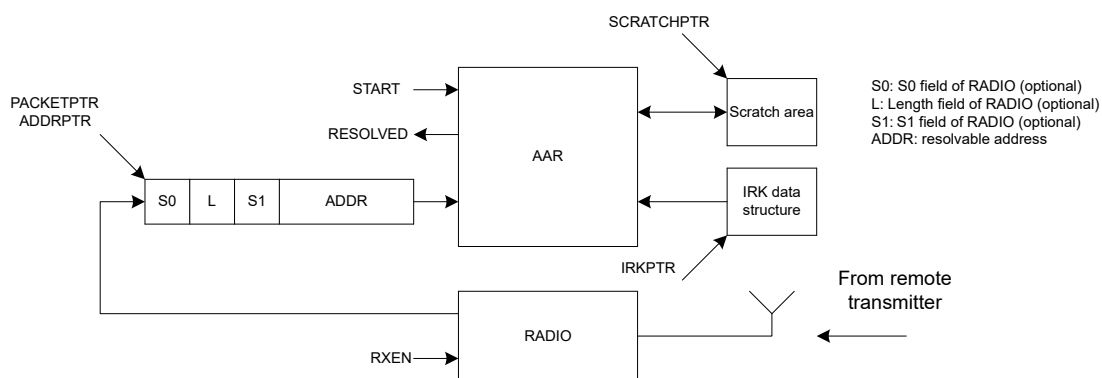


Figure 29: Address resolution with packet loaded into RAM by RADIO

6.2.4 IRK data structure

The IRK data structure is located in RAM at the memory location specified by the IRKPTR register.

Property	Address offset	Description
IRK0	0	IRK number 0 (16 bytes)
IRK1	16	IRK number 1 (16 bytes)
..
IRK15	240	IRK number 15 (16 bytes)

Table 23: IRK data structure overview

6.2.5 Registers

Base address	Peripheral	Instance	Description	Configuration
0x4000F000	AAR	AAR	Accelerated address resolver	

Table 24: Instances

Register	Offset	Description
TASKS_START	0x000	Start resolving addresses based on IRKs specified in the IRK data structure
TASKS_STOP	0x008	Stop resolving addresses
EVENTS_END	0x100	Address resolution procedure complete

Register	Offset	Description
EVENTS_RESOLVED	0x104	Address resolved
EVENTS_NOTRESOLVED	0x108	Address not resolved
INTENSET	0x304	Enable interrupt
INTENCLR	0x308	Disable interrupt
STATUS	0x400	Resolution status
ENABLE	0x500	Enable AAR
NIRK	0x504	Number of IRKs
IRKPTR	0x508	Pointer to IRK data structure
ADDRPTR	0x510	Pointer to the resolvable address
SCRATCHPTR	0x514	Pointer to data area used for temporary storage

Table 25: Register overview

6.2.5.1 TASKS_START

Address offset: 0x000

Start resolving addresses based on IRKs specified in the IRK data structure

Bit number	31 30 29 28 27 26 25 24 23 22 21 20 19 18 17 16 15 14 13 12 11 10 9 8 7 6 5 4 3 2 1 0																															
ID																																A
Reset 0x00000000	0 0																															
ID	Acce	Field	Value ID	Value	Description																											
A	W	TASKS_START			Start resolving addresses based on IRKs specified in the IRK data structure																											
			Trigger	1	Trigger task																											

6.2.5.2 TASKS_STOP

Address offset: 0x008

Stop resolving addresses

Bit number	31 30 29 28 27 26 25 24 23 22 21 20 19 18 17 16 15 14 13 12 11 10 9 8 7 6 5 4 3 2 1 0																															
ID																																A
Reset 0x00000000	0 0																															
ID	Acce	Field	Value ID	Value	Description																											
A	W	TASKS_STOP			Stop resolving addresses																											
			Trigger	1	Trigger task																											

6.2.5.3 EVENTS_END

Address offset: 0x100

Address resolution procedure complete

Bit number	31 30 29 28 27 26 25 24 23 22 21 20 19 18 17 16 15 14 13 12 11 10 9 8 7 6 5 4 3 2 1 0																															
ID																																A
Reset 0x00000000	0 0																															
ID	Acce	Field	Value ID	Value	Description																											
A	RW	EVENTS_END			Address resolution procedure complete																											
			NotGenerated	0	Event not generated																											
			Generated	1	Event generated																											

6.2.5.4 EVENTS_RESOLVED

Address offset: 0x104

Address resolved

Bit number	31	30	29	28	27	26	25	24	23	22	21	20	19	18	17	16	15	14	13	12	11	10	9	8	7	6	5	4	3	2	1	0
ID																																A
Reset 0x00000000	0 0																															
ID	Acce	Field	Value ID	Value	Description																											
A	RW	EVENTS_RESOLVED			Address resolved																											
			NotGenerated	0	Event not generated																											
			Generated	1	Event generated																											

6.2.5.5 EVENTS_NOTRESOLVED

Address offset: 0x108

Address not resolved

Bit number	31	30	29	28	27	26	25	24	23	22	21	20	19	18	17	16	15	14	13	12	11	10	9	8	7	6	5	4	3	2	1	0
ID																																A
Reset 0x00000000	0 0																															
ID	Acce	Field	Value ID	Value	Description																											
A	RW	EVENTS_NOTRESOLVED			Address not resolved																											
			NotGenerated	0	Event not generated																											
			Generated	1	Event generated																											

6.2.5.6 INTENSET

Address offset: 0x304

Enable interrupt

Bit number	31	30	29	28	27	26	25	24	23	22	21	20	19	18	17	16	15	14	13	12	11	10	9	8	7	6	5	4	3	2	1	0
ID																																C B A
Reset 0x00000000	0 0																															
ID	Acce	Field	Value ID	Value	Description																											
A	RW	END			Write '1' to enable interrupt for event END																											
			Set	1	Enable																											
			Disabled	0	Read: Disabled																											
			Enabled	1	Read: Enabled																											
B	RW	RESOLVED			Write '1' to enable interrupt for event RESOLVED																											
			Set	1	Enable																											
			Disabled	0	Read: Disabled																											
			Enabled	1	Read: Enabled																											
C	RW	NOTRESOLVED			Write '1' to enable interrupt for event NOTRESOLVED																											
			Set	1	Enable																											
			Disabled	0	Read: Disabled																											
			Enabled	1	Read: Enabled																											

6.2.5.7 INTENCLR

Address offset: 0x308

Disable interrupt

Bit number	31 30 29 28 27 26 25 24 23 22 21 20 19 18 17 16 15 14 13 12 11 10 9 8 7 6 5 4 3 2 1 0																																
ID																															C	B	A
Reset 0x00000000	0 0																																
ID	Acce	Field	Value ID	Value	Description																												
A	RW	END			Write '1' to disable interrupt for event END																												
			Clear	1	Disable																												
			Disabled	0	Read: Disabled																												
			Enabled	1	Read: Enabled																												
B	RW	RESOLVED			Write '1' to disable interrupt for event RESOLVED																												
			Clear	1	Disable																												
			Disabled	0	Read: Disabled																												
			Enabled	1	Read: Enabled																												
C	RW	NOTRESOLVED			Write '1' to disable interrupt for event NOTRESOLVED																												
			Clear	1	Disable																												
			Disabled	0	Read: Disabled																												
			Enabled	1	Read: Enabled																												

6.2.5.8 STATUS

Address offset: 0x400

Resolution status

Bit number	31 30 29 28 27 26 25 24 23 22 21 20 19 18 17 16 15 14 13 12 11 10 9 8 7 6 5 4 3 2 1 0																																	
ID																															A	A	A	A
Reset 0x00000000	0 0																																	
ID	Acce	Field	Value ID	Value	Description																													
A	R	STATUS		[0..15]	The IRK that was used last time an address was resolved																													

6.2.5.9 ENABLE

Address offset: 0x500

Enable AAR

Bit number	31 30 29 28 27 26 25 24 23 22 21 20 19 18 17 16 15 14 13 12 11 10 9 8 7 6 5 4 3 2 1 0																															
ID																															A	A
Reset 0x00000000	0 0																															
ID	Acce	Field	Value ID	Value	Description																											
A	RW	ENABLE			Enable or disable AAR																											
			Disabled	0	Disable																											
			Enabled	3	Enable																											

6.2.5.10 NIRK

Address offset: 0x504

Number of IRKs

Bit number	31 30 29 28 27 26 25 24 23 22 21 20 19 18 17 16 15 14 13 12 11 10 9 8 7 6 5 4 3 2 1 0																																	
ID																															A	A	A	A
Reset 0x00000001	0 1																																	
ID	Acce	Field	Value ID	Value	Description																													
A	RW	NIRK		[1..16]	Number of Identity Root Keys available in the IRK data structure																													

6.2.5.11 IRKPTR

Address offset: 0x508

Pointer to IRK data structure

Bit number	31	30	29	28	27	26	25	24	23	22	21	20	19	18	17	16	15	14	13	12	11	10	9	8	7	6	5	4	3	2	1	0
ID	A	A	A	A	A	A	A	A	A	A	A	A	A	A	A	A	A	A	A	A	A	A	A	A	A	A	A	A	A	A	A	A
Reset 0x00000000	0	0	0	0	0	0	0	0	0	0	0	0	0	0	0	0	0	0	0	0	0	0	0	0	0	0	0	0	0	0	0	0
ID	Acce	Field	Value ID	Value	Description																											
A	RW	IRKPTR			Pointer to the IRK data structure																											

6.2.5.12 ADDRPTR

Address offset: 0x510

Pointer to the resolvable address

Bit number	31	30	29	28	27	26	25	24	23	22	21	20	19	18	17	16	15	14	13	12	11	10	9	8	7	6	5	4	3	2	1	0
ID	A	A	A	A	A	A	A	A	A	A	A	A	A	A	A	A	A	A	A	A	A	A	A	A	A	A	A	A	A	A	A	A
Reset 0x00000000	0	0	0	0	0	0	0	0	0	0	0	0	0	0	0	0	0	0	0	0	0	0	0	0	0	0	0	0	0	0	0	0
ID	Acce	Field	Value ID	Value	Description																											
A	RW	ADDRPTR			Pointer to the resolvable address (6-bytes)																											

6.2.5.13 SCRATCHPTR

Address offset: 0x514

Pointer to data area used for temporary storage

Bit number	31	30	29	28	27	26	25	24	23	22	21	20	19	18	17	16	15	14	13	12	11	10	9	8	7	6	5	4	3	2	1	0
ID	A	A	A	A	A	A	A	A	A	A	A	A	A	A	A	A	A	A	A	A	A	A	A	A	A	A	A	A	A	A	A	A
Reset 0x00000000	0	0	0	0	0	0	0	0	0	0	0	0	0	0	0	0	0	0	0	0	0	0	0	0	0	0	0	0	0	0	0	0
ID	Acce	Field	Value ID	Value	Description																											
A	RW	SCRATCHPTR			Pointer to a scratch data area used for temporary storage during resolution. A space of minimum 3 bytes must be reserved.																											

6.2.6 Electrical specification

6.2.6.1 AAR Electrical Specification

Symbol	Description	Min.	Typ.	Max.	Units
t _{AAR}	Address resolution time per IRK. Total time for several IRKs is given as (1 μs + n * t _{AAR}), where n is the number of IRKs. (Given priority to the actual destination RAM block).			6	μs
t _{AAR,8}	Time for address resolution of 8 IRKs. (Given priority to the actual destination RAM block).			49	μs

6.3 ACL — Access control lists

The Access control lists (ACL) peripheral is designed to assign and enforce access permission schemes for different regions of the on-chip flash memory map.

Flash memory regions can be assigned individual ACL permission schemes. The following registers are involved:

- PERM register - configures permission schemes
- ADDR register - defines the flash page start address (word-aligned)
- SIZE register - determines the size of the region where the permission schemes are applied

Note: The size of the region is restricted to a multiple of the flash page size, measured in bytes. The maximum region is limited to half the size of the flash page. See [Memory](#) on page 19 for more information.

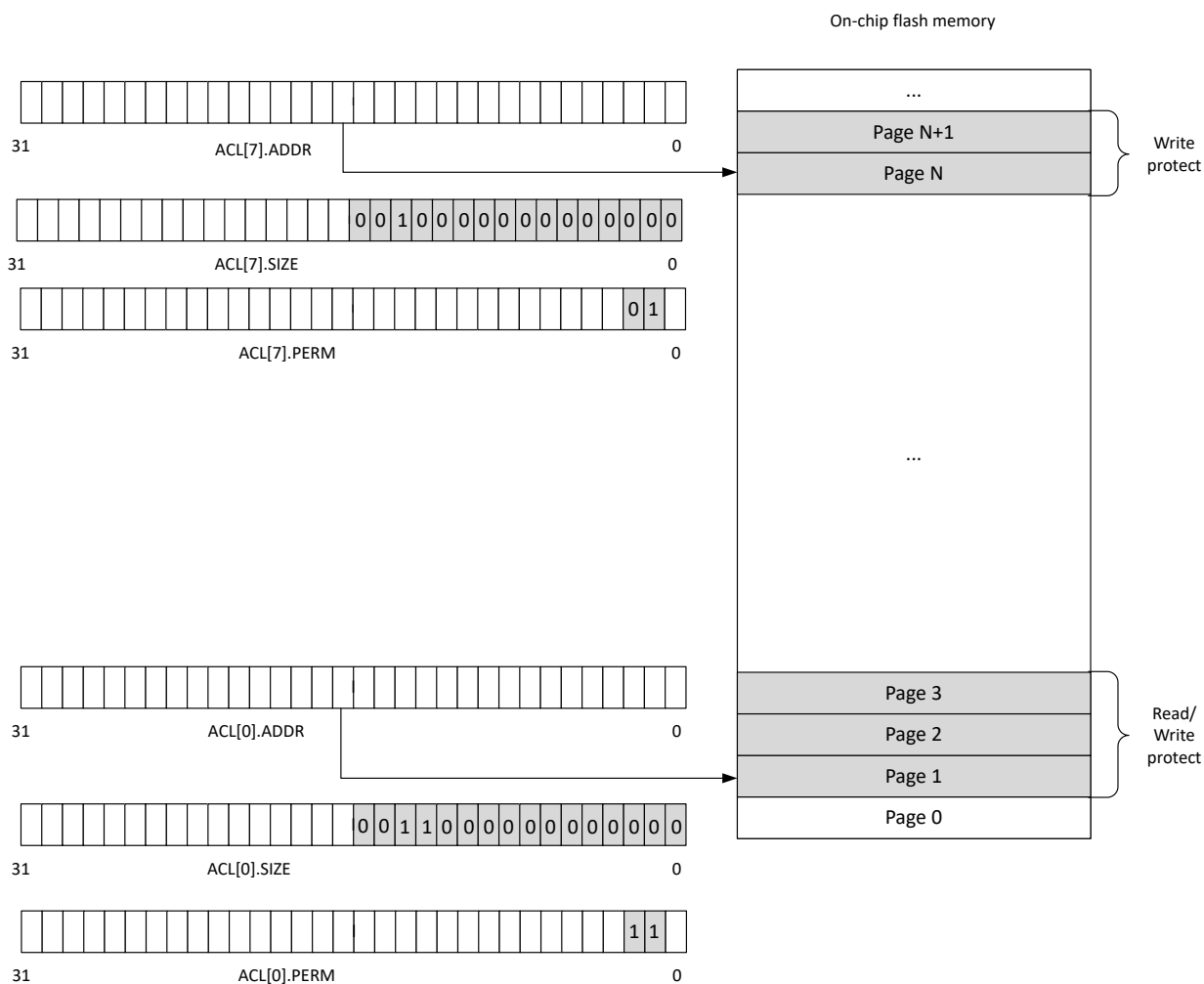


Figure 30: On-chip flash memory protected regions

There are four defined ACL permission schemes, each with different combinations of read/write permissions, as shown in the following table.

Read	Write	Protection description
0	0	No protection. Entire region can be executed, read, written to, or erased.
0	1	Region can be executed and read, but not written to or erased.
1	0	Region can be written to and erased, but not executed or read.
1	1	Region is locked for all access until next reset.

Table 26: ACL permission schemes

Note: If a permission violation to a protected region is detected by the ACL peripheral, the request is blocked and a Bus Fault exception is triggered.

Access control to a configured region is enforced by the hardware. This goes into effect two CPU clock cycles after the ADDR, SIZE, and PERM registers for an ACL instance are written successfully. There are two dependencies for protection to be enforced. First, a valid start address for the flash page boundary must be written to the ADDR register. Second, the SIZE and PERM registers cannot be zero.

The ADDR, SIZE, and PERM registers can only be written once. All ACL configuration registers are cleared on reset by resetting the device from a reset source. This is the only way of clearing the configuration registers. To ensure that the ACL peripheral always enforces the desired permission schemes, the device boot sequence must perform the necessary configuration.

Debugger read access to a read-protected region will be Read-As-Zero (RAZ), while debugger write access to a write-protected region will be Write-Ignored (WI).

6.3.1 Registers

Base address	Peripheral	Instance	Description	Configuration
0x4001E000	ACL	ACL	Access control lists	

Table 27: Instances

Register	Offset	Description
ACL[0].ADDR	0x800	Start address of region to protect. The start address must be word-aligned.
ACL[0].SIZE	0x804	Size of region to protect counting from address ACL[0].ADDR. Writing a '0' has no effect.
ACL[0].PERM	0x808	Access permissions for region 0 as defined by start address ACL[0].ADDR and size ACL[0].SIZE
ACL[0].UNUSED0	0x80C	Reserved
ACL[1].ADDR	0x810	Start address of region to protect. The start address must be word-aligned.
ACL[1].SIZE	0x814	Size of region to protect counting from address ACL[1].ADDR. Writing a '0' has no effect.
ACL[1].PERM	0x818	Access permissions for region 1 as defined by start address ACL[1].ADDR and size ACL[1].SIZE
ACL[1].UNUSED0	0x81C	Reserved
ACL[2].ADDR	0x820	Start address of region to protect. The start address must be word-aligned.
ACL[2].SIZE	0x824	Size of region to protect counting from address ACL[2].ADDR. Writing a '0' has no effect.
ACL[2].PERM	0x828	Access permissions for region 2 as defined by start address ACL[2].ADDR and size ACL[2].SIZE
ACL[2].UNUSED0	0x82C	Reserved
ACL[3].ADDR	0x830	Start address of region to protect. The start address must be word-aligned.
ACL[3].SIZE	0x834	Size of region to protect counting from address ACL[3].ADDR. Writing a '0' has no effect.
ACL[3].PERM	0x838	Access permissions for region 3 as defined by start address ACL[3].ADDR and size ACL[3].SIZE
ACL[3].UNUSED0	0x83C	Reserved
ACL[4].ADDR	0x840	Start address of region to protect. The start address must be word-aligned.
ACL[4].SIZE	0x844	Size of region to protect counting from address ACL[4].ADDR. Writing a '0' has no effect.
ACL[4].PERM	0x848	Access permissions for region 4 as defined by start address ACL[4].ADDR and size ACL[4].SIZE
ACL[4].UNUSED0	0x84C	Reserved

Register	Offset	Description
ACL[5].ADDR	0x850	Start address of region to protect. The start address must be word-aligned.
ACL[5].SIZE	0x854	Size of region to protect counting from address ACL[5].ADDR. Writing a '0' has no effect.
ACL[5].PERM	0x858	Access permissions for region 5 as defined by start address ACL[5].ADDR and size ACL[5].SIZE
ACL[5].UNUSED0	0x85C	Reserved
ACL[6].ADDR	0x860	Start address of region to protect. The start address must be word-aligned.
ACL[6].SIZE	0x864	Size of region to protect counting from address ACL[6].ADDR. Writing a '0' has no effect.
ACL[6].PERM	0x868	Access permissions for region 6 as defined by start address ACL[6].ADDR and size ACL[6].SIZE
ACL[6].UNUSED0	0x86C	Reserved
ACL[7].ADDR	0x870	Start address of region to protect. The start address must be word-aligned.
ACL[7].SIZE	0x874	Size of region to protect counting from address ACL[7].ADDR. Writing a '0' has no effect.
ACL[7].PERM	0x878	Access permissions for region 7 as defined by start address ACL[7].ADDR and size ACL[7].SIZE
ACL[7].UNUSED0	0x87C	Reserved

Table 28: Register overview

6.3.1.1 ACL[n].ADDR (n=0..7)

Address offset: $0x800 + (n \times 0x10)$

Start address of region to protect. The start address must be word-aligned.

This register can only be written once.

Bit number	31	30	29	28	27	26	25	24	23	22	21	20	19	18	17	16	15	14	13	12	11	10	9	8	7	6	5	4	3	2	1	0
ID	A	A	A	A	A	A	A	A	A	A	A	A	A	A	A	A	A	A	A	A	A	A	A	A	A	A	A	A	A	A	A	A
Reset 0x00000000	0	0	0	0	0	0	0	0	0	0	0	0	0	0	0	0	0	0	0	0	0	0	0	0	0	0	0	0	0	0	0	0
ID	Acce Field	Value ID	Value	Description																												
A	RW1ADDR			Start address of flash region n. The start address must point to a flash page boundary.																												

6.3.1.2 ACL[n].SIZE (n=0..7)

Address offset: $0x804 + (n \times 0x10)$

Size of region to protect counting from address ACL[n].ADDR. Writing a '0' has no effect.

This register can only be written once.

Bit number	31	30	29	28	27	26	25	24	23	22	21	20	19	18	17	16	15	14	13	12	11	10	9	8	7	6	5	4	3	2	1	0
ID	A	A	A	A	A	A	A	A	A	A	A	A	A	A	A	A	A	A	A	A	A	A	A	A	A	A	A	A	A	A	A	
Reset 0x00000000	0	0	0	0	0	0	0	0	0	0	0	0	0	0	0	0	0	0	0	0	0	0	0	0	0	0	0	0	0	0	0	
ID	Acce Field	Value ID	Value	Description																												
A	RW1SIZE			Size of flash region n in bytes. Must be a multiple of the flash page size.																												

6.3.1.3 ACL[n].PERM (n=0..7)

Address offset: $0x808 + (n \times 0x10)$

Access permissions for region n as defined by start address ACL[n].ADDR and size ACL[n].SIZE

This register can only be written once.

Bit number		31 30 29 28 27 26 25 24 23 22 21 20 19 18 17 16 15 14 13 12 11 10 9 8 7 6 5 4 3 2 1 0																															
ID																																C	B
Reset 0x00000000		0 0																															
ID	Acce Field	Value ID	Value	Description																													
B	RW1 WRITE			Configure write and erase permissions for region n. Writing a '0' has no effect.																													
		Enable	0	Allow write and erase instructions to region n.																													
		Disable	1	Block write and erase instructions to region n.																													
C	RW1 READ			Configure read permissions for region n. Writing a '0' has no effect.																													
		Enable	0	Allow read instructions to region n.																													
		Disable	1	Block read instructions to region n.																													

6.4 CCM — AES CCM mode encryption

Cipher block chaining - message authentication code (CCM) mode is an authenticated encryption algorithm designed to provide both authentication and confidentiality during data transfer. CCM combines counter mode encryption and CBC-MAC authentication. The CCM terminology "Message authentication code (MAC)" is called the "Message integrity check (MIC)" in *Bluetooth* terminology and also in this document.

The CCM block generates an encrypted keystream that is applied to input data using the XOR operation and generates the four byte MIC field in one operation. CCM and RADIO can be configured to work synchronously. CCM will encrypt in time for transmission and decrypt after receiving bytes into memory from the radio. All operations can complete within the packet RX or TX time. CCM on this device is implemented according to *Bluetooth* requirements and the algorithm as defined in IETF [RFC3610](#), and depends on the AES-128 block cipher. A description of the CCM algorithm can also be found in [NIST Special Publication 800-38C](#). The *Bluetooth* specification describes the configuration of counter mode blocks and encryption blocks to implement compliant encryption for Bluetooth Low Energy.

The CCM block uses EasyDMA to load key counter mode blocks (including the nonce required), and to read/write plain text and cipher text.

The AES CCM peripheral supports three operations: keystream generation, packet encryption, and packet decryption. These operations are performed in compliance with the *Bluetooth* AES CCM 128 bit block encryption, see *Bluetooth Core specification Version 4.0*.

The following figure illustrates keystream generation followed by encryption or decryption. The shortcut is optional.

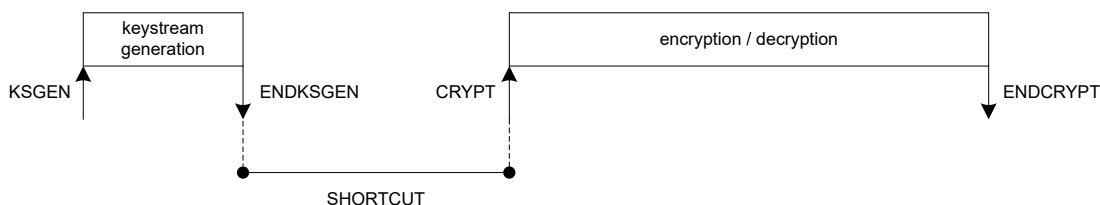


Figure 31: Keystream generation

6.4.1 Keystream generation

A new keystream needs to be generated before a new packet encryption or packet decryption operation can start.

A keystream is generated by triggering the KSGEN task. An ENDKSGEN event is generated after the keystream has been generated.

Keystream generation, packet encryption, and packet decryption operations utilize the configuration specified in the data structure pointed to by [CNFPTR](#) on page 120. It is necessary to configure this pointer and its underlying data structure, and register [MODE](#) on page 120 before the KSGEN task is triggered.

The keystream will be stored in the AES CCM peripheral's temporary memory area, specified by the [SCRATCHPTR](#) on page 121, where it will be used in subsequent encryption and decryption operations.

For default length packets (`MODE.LENGTH = Default`), the size of the generated keystream is 27 bytes. When using extended length packets (`MODE.LENGTH = Extended`), register [MAXPACKETSIZE](#) on page 121 specifies the length of the keystream to be generated. The length of the generated keystream must be greater or equal to the length of the subsequent packet payload to be encrypted or decrypted. The maximum length of the keystream in extended mode is 251 bytes, which means that the maximum packet payload size is 251.

If a shortcut is used between the `ENDKSGEN` event and `CRYPT` task, pointer [INPTR](#) on page 120 and the pointers [OUTPTR](#) on page 121 must also be configured before the `KSGEN` task is triggered.

6.4.2 Encryption

The AES CCM peripheral is able to read an unencrypted packet, encrypt it, and append a four byte MIC field to the packet.

During packet encryption, the AES CCM peripheral performs the following:

- Reads the unencrypted packet located in RAM address specified in the [INPTR](#) pointer
- Encrypts the packet
- Appends a four byte long Message Integrity Check (MIC) field to the packet

Encryption is started by triggering the `CRYPT` task with register [MODE](#) on page 120 set to `ENCRYPTION`. An `ENDCRYPT` event is generated when packet encryption is completed.

The AES CCM peripheral will also modify the length field of the packet to adjust for the appended MIC field. It adds four bytes to the length and stores the resulting packet in RAM at the address specified in pointer [OUTPTR](#) on page 121, see [Encryption](#) on page 111.

Empty packets (length field is set to 0) will not be encrypted but instead moved unmodified through the AES CCM peripheral.

AES CCM supports different widths of the `LENGTH` field in the data structure for encrypted packets. This is configured in register [MODE](#) on page 120.

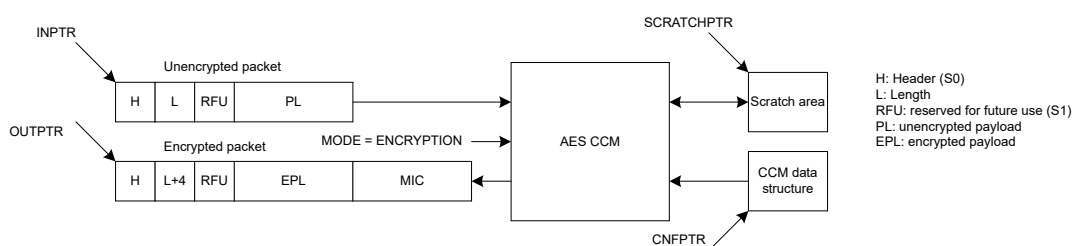


Figure 32: Encryption

6.4.3 Decryption

The AES CCM peripheral is able to read an encrypted packet, decrypt it, authenticate the MIC field, and generate an appropriate MIC status.

During packet decryption, the AES CCM peripheral performs the following:

- Reads the encrypted packet located in RAM at the address specified in the [INPTR](#) pointer
- Decrypts the packet

- Authenticates the packet's MIC field
- Generates the appropriate MIC status

The packet header (S0) and payload are included in the MIC authentication. Bits in the packet header can be masked away by configuring register [HEADERMASK](#) on page 122.

Decryption is started by triggering the CRYPT task with register [MODE](#) on page 120 set to DECRYPTION. An ENDCRYPT event is generated when packet decryption is completed.

The AES CCM peripheral modifies the length field of the packet to adjust for the MIC field. It subtracts four bytes from the length and stores the decrypted packet in RAM at the address specified in the pointer [OUTPTR](#), see [Decryption](#) on page 112.

CCM is only able to decrypt packet payloads that are at least five bytes long (one byte or more encrypted payload (EPL) and four bytes of MIC). CCM will therefore generate a MIC error for packets where the length field is set to 1, 2, 3, or 4.

Empty packets (length field is set to 0) will not be decrypted but instead moved unmodified through the AES CCM peripheral. These packets will always pass the MIC check.

CCM supports different widths of the LENGTH field in the data structure for decrypted packets. This is configured in register [MODE](#) on page 120.

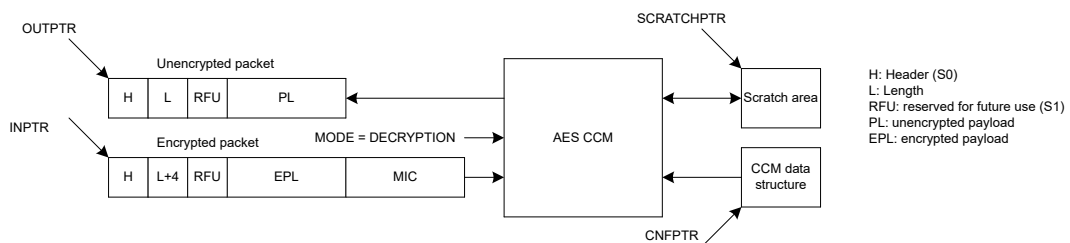


Figure 33: Decryption

6.4.4 AES CCM and RADIO concurrent operation

The CCM peripheral is able to encrypt/decrypt data synchronously to data being transmitted or received on the radio.

In order for CCM to run synchronously with the radio, the data rate setting in register [MODE](#) on page 120 needs to match the radio data rate. The settings in this register apply whenever either the KSGEN or CRYPT tasks are triggered.

The data rate setting of register [MODE](#) on page 120 can also be overridden on-the-fly during an ongoing encrypt/decrypt operation by the contents of register [RATEOVERRIDE](#) on page 122. The data rate setting in this register applies whenever the RATEOVERRIDE task is triggered. This feature can be useful in cases where the radio data rate is changed during an ongoing packet transaction.

6.4.5 Encrypting packets on-the-fly in radio transmit mode

When the AES CCM peripheral encrypts a packet on-the-fly while RADIO is transmitting it, RADIO must read the encrypted packet from the same memory location that the AES CCM peripheral is writing to.

The [OUTPTR](#) on page 121 pointer in the AES CCM must point to the same memory location as the [PACKETPTR](#) pointer in the radio, see [Configuration of on-the-fly encryption](#) on page 113.

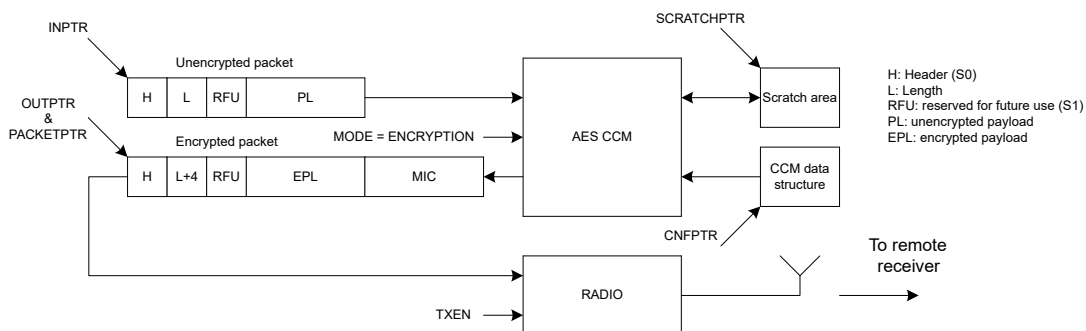


Figure 34: Configuration of on-the-fly encryption

In order to match RADIO’s timing, the KSGEN task must be triggered early enough to allow the keystream generation to complete before packet encryption begins.

For short packets (MODE.LENGTH = Default), the KSGEN task must be triggered before or at the same time as the START task in RADIO is triggered. In addition, the shortcut between the ENDKSGEN event and the CRYPT task must be enabled. This use-case is illustrated in [On-the-fly encryption of short packets \(MODE.LENGTH = Default\) using a PPI connection](#) on page 113. It uses a PPI connection between the READY event in RADIO and the KSGEN task in the AES CCM peripheral.

For long packets (MODE.LENGTH = Extended), the keystream generation needs to start earlier, such as when the TXEN task in RADIO is triggered.

Refer to [Timing specification](#) on page 122 for information about the time needed for generating a keystream.

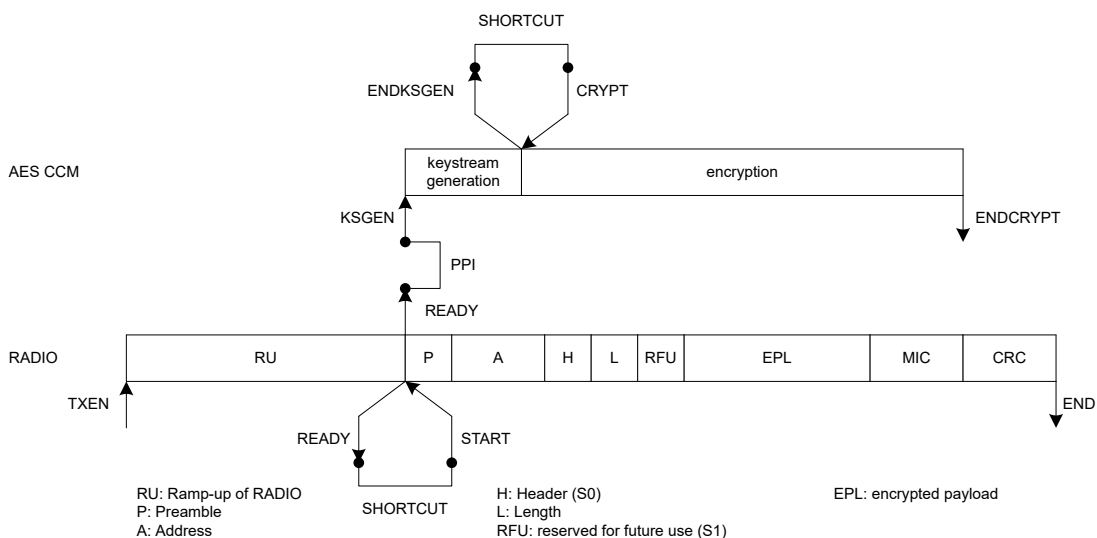


Figure 35: On-the-fly encryption of short packets (MODE.LENGTH = Default) using a PPI connection

6.4.6 Decrypting packets on-the-fly in RADIO receive mode

When the AES CCM peripheral decrypts a packet on-the-fly while RADIO is receiving it, the AES CCM peripheral must read the encrypted packet from the same memory location that RADIO is writing to.

The INPTR on page 120 pointer in the AES CCM must point to the same memory location as the PACKETPTR pointer in RADIO, see [Configuration of on-the-fly decryption](#) on page 114.

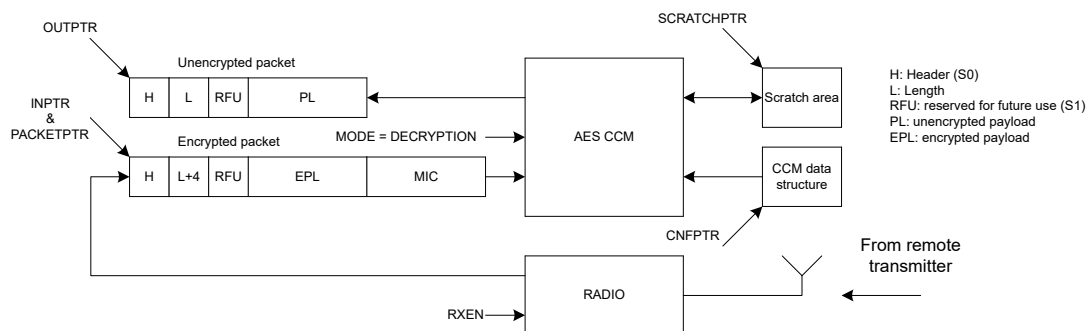


Figure 36: Configuration of on-the-fly decryption

In order to match RADIO's timing, the KSGEN task must be triggered early enough to allow the keystream generation to complete before the decryption of the packet shall start.

For short packets (MODE.LENGTH = Default) the KSGEN task must be triggered no later than when the START task in RADIO is triggered. In addition, the CRYPT task must be triggered no earlier than when the ADDRESS event is generated by RADIO.

If the CRYPT task is triggered exactly at the same time as the ADDRESS event is generated by RADIO, the AES CCM peripheral will guarantee that the decryption is completed no later than when the END event in RADIO is generated.

This use-case is illustrated in [On-the-fly decryption of short packets \(MODE.LENGTH = Default\) using a PPI connection](#) on page 114 using a PPI connection between the ADDRESS event in RADIO and the CRYPT task in the AES CCM peripheral. The KSGEN task is triggered from the READY event in RADIO through a PPI connection.

For long packets (MODE.LENGTH = Extended) the keystream generation will need to start even earlier, such as when the RXEN task in RADIO is triggered.

Refer to [Timing specification](#) on page 122 for information about the time needed for generating a keystream.

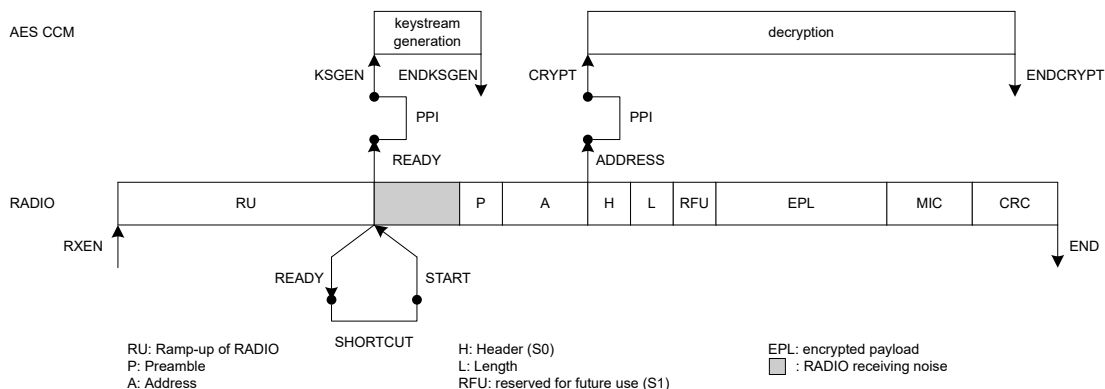


Figure 37: On-the-fly decryption of short packets (MODE.LENGTH = Default) using a PPI connection

6.4.7 CCM data structure

The CCM data structure is located in Data RAM at the memory location specified by the CNFPTR pointer register.

Property	Address offset	Description
KEY	0	16 byte AES key
PKTCTR	16	Octet0 (LSO) of packet counter
	17	Octet1 of packet counter
	18	Octet2 of packet counter
	19	Octet3 of packet counter
	20	Bit 6 – Bit 0: Octet4 (7 most significant bits of packet counter, with Bit 6 being the most significant bit) Bit7: Ignored
	21	Ignored
	22	Ignored
	23	Ignored
IV	24	Bit 0: Direction bit Bit 7 – Bit 1: Zero padded
	25	8 byte initialization vector (IV) Octet0 (LSO) of IV, Octet1 of IV, ... , Octet7 (MSO) of IV

Table 29: CCM data structure overview

The NONCE vector (as specified by the *Bluetooth* Core Specification) will be generated by hardware based on the information specified in the CCM data structure from [CCM data structure overview](#) on page 115 .

Property	Address offset	Description
HEADER	0	Packet Header
LENGTH	1	Number of bytes in unencrypted payload
RFU	2	Reserved Future Use
PAYLOAD	3	Unencrypted payload

Table 30: Data structure for unencrypted packet

Property	Address offset	Description
HEADER	0	Packet Header
LENGTH	1	Number of bytes in encrypted payload including length of MIC
		LENGTH will be 0 for empty packets since the MIC is not added to empty packets
RFU	2	Reserved Future Use
PAYLOAD	3	Encrypted payload
MIC	3 + payload length	ENCRYPT: 4 bytes encrypted MIC
		MIC is not added to empty packets

Table 31: Data structure for encrypted packet

6.4.8 EasyDMA and ERROR event

CCM implements an EasyDMA mechanism for reading and writing to RAM.

When the CPU and EasyDMA enabled peripherals access the same RAM block at the same time, increased bus collisions might disrupt on-the-fly encryption. This will generate an ERROR event.

EasyDMA stops accessing RAM when the ENDKSGEN and ENDCRYPT events are generated.

If the CNFPTR, SCRATCHPTR, INPTR, and the OUTPTR are not pointing to the Data RAM region, an EasyDMA transfer may result in a HardFault or RAM corruption. See [Memory](#) on page 19 for more information about the different memory regions.

6.4.9 Registers

Base address	Peripheral	Instance	Description	Configuration
0x4000F000	CCM	CCM	AES counter with CBC-MAC (CCM) mode block encryption	

Table 32: Instances

Register	Offset	Description	
TASKS_KSGEN	0x000	Start generation of keystream. This operation will stop by itself when completed.	
TASKS_CRYPT	0x004	Start encryption/decryption. This operation will stop by itself when completed.	
TASKS_STOP	0x008	Stop encryption/decryption	
TASKS_RATEOVERRIDE	0x00C	Override DATARATE setting in MODE register with the contents of the RATEOVERRIDE register for any ongoing encryption/decryption	
EVENTS_ENDKSGEN	0x100	Keystream generation complete	
EVENTS_ENDCRYPT	0x104	Encrypt/decrypt complete	
EVENTS_ERROR	0x108	CCM error event	Deprecated
SHORTS	0x200	Shortcuts between local events and tasks	
INTENSET	0x304	Enable interrupt	
INTENCLR	0x308	Disable interrupt	
MICSTATUS	0x400	MIC check result	
ENABLE	0x500	Enable	
MODE	0x504	Operation mode	
CNFPTR	0x508	Pointer to data structure holding the AES key and the NONCE vector	
INPTR	0x50C	Input pointer	
OUTPTR	0x510	Output pointer	
SCRATCHPTR	0x514	Pointer to data area used for temporary storage	
MAXPACKETSIZE	0x518	Length of keystream generated when MODE.LENGTH = Extended	
RATEOVERRIDE	0x51C	Data rate override setting.	
HEADERMASK	0x520	Header (\$0) mask.	

Table 33: Register overview

6.4.9.1 TASKS_KSGEN

Address offset: 0x000

Start generation of keystream. This operation will stop by itself when completed.

Bit number	31 30 29 28 27 26 25 24 23 22 21 20 19 18 17 16 15 14 13 12 11 10 9 8 7 6 5 4 3 2 1 0																														
ID	A																														
Reset	0 0																														
ID	Acce	Field	Value ID	Value	Description																										
A	W	TASKS_KSGEN			Start generation of keystream. This operation will stop by itself when completed.																										
			Trigger	1	Trigger task																										

6.4.9.2 TASKS_CRYPT

Address offset: 0x004

Start encryption/decryption. This operation will stop by itself when completed.

Bit number	31	30	29	28	27	26	25	24	23	22	21	20	19	18	17	16	15	14	13	12	11	10	9	8	7	6	5	4	3	2	1	0	
ID																																A	
Reset	0x00000000																																
0	0	0	0	0	0	0	0	0	0	0	0	0	0	0	0	0	0	0	0	0	0	0	0	0	0	0	0	0	0	0	0	0	0
ID	Acce Field	Value ID	Value	Description																													
A	W	TASKS_CRYPT		Start encryption/decryption. This operation will stop by itself when completed.																													
		Trigger	1	Trigger task																													

6.4.9.3 TASKS_STOP

Address offset: 0x008

Stop encryption/decryption

Bit number	31	30	29	28	27	26	25	24	23	22	21	20	19	18	17	16	15	14	13	12	11	10	9	8	7	6	5	4	3	2	1	0
ID																																A
Reset	0x00000000																															
0	0	0	0	0	0	0	0	0	0	0	0	0	0	0	0	0	0	0	0	0	0	0	0	0	0	0	0	0	0	0	0	0
ID	Acce Field	Value ID	Value	Description																												
A	W	TASKS_STOP		Stop encryption/decryption																												
		Trigger	1	Trigger task																												

6.4.9.4 TASKS_RATEOVERRIDE

Address offset: 0x00C

Override DATARATE setting in MODE register with the contents of the RATEOVERRIDE register for any ongoing encryption/decryption

Bit number	31	30	29	28	27	26	25	24	23	22	21	20	19	18	17	16	15	14	13	12	11	10	9	8	7	6	5	4	3	2	1	0
ID																																A
Reset	0x00000000																															
0	0	0	0	0	0	0	0	0	0	0	0	0	0	0	0	0	0	0	0	0	0	0	0	0	0	0	0	0	0	0	0	0
ID	Acce Field	Value ID	Value	Description																												
A	W	TASKS_RATEOVERRIDE		Override DATARATE setting in MODE register with the contents of the RATEOVERRIDE register for any ongoing encryption/decryption																												
		Trigger	1	Trigger task																												

6.4.9.5 EVENTS_ENDKSGEN

Address offset: 0x100

Keystream generation complete

Bit number	31	30	29	28	27	26	25	24	23	22	21	20	19	18	17	16	15	14	13	12	11	10	9	8	7	6	5	4	3	2	1	0
ID																																A
Reset	0x00000000																															
0	0	0	0	0	0	0	0	0	0	0	0	0	0	0	0	0	0	0	0	0	0	0	0	0	0	0	0	0	0	0	0	0
ID	Acce Field	Value ID	Value	Description																												
A	RW	EVENTS_ENDKSGEN		Keystream generation complete																												
		NotGenerated	0	Event not generated																												
		Generated	1	Event generated																												

6.4.9.6 EVENTS_ENDCRYPT

Address offset: 0x104

Encrypt/decrypt complete

Bit number	31	30	29	28	27	26	25	24	23	22	21	20	19	18	17	16	15	14	13	12	11	10	9	8	7	6	5	4	3	2	1	0
ID																																A
Reset 0x00000000	0 0																															
ID	Acce Field	Value ID	Value	Description																												
A	RW EVENTS_ENDCRYPT			Encrypt/decrypt complete																												
		NotGenerated	0	Event not generated																												
		Generated	1	Event generated																												

6.4.9.7 EVENTS_ERROR (Deprecated)

Address offset: 0x108

CCM error event

Bit number	31	30	29	28	27	26	25	24	23	22	21	20	19	18	17	16	15	14	13	12	11	10	9	8	7	6	5	4	3	2	1	0
ID																																A
Reset 0x00000000	0 0																															
ID	Acce Field	Value ID	Value	Description																												
A	RW EVENTS_ERROR			CCM error event																												
		NotGenerated	0	Event not generated																												
		Generated	1	Event generated																												

6.4.9.8 SHORTS

Address offset: 0x200

Shortcuts between local events and tasks

Bit number	31	30	29	28	27	26	25	24	23	22	21	20	19	18	17	16	15	14	13	12	11	10	9	8	7	6	5	4	3	2	1	0
ID																																A
Reset 0x00000000	0 0																															
ID	Acce Field	Value ID	Value	Description																												
A	RW ENDKSGEN_CRYPT			Shortcut between event ENDKSGEN and task CRYPT																												
		Disabled	0	Disable shortcut																												
		Enabled	1	Enable shortcut																												

6.4.9.9 INTENSET

Address offset: 0x304

Enable interrupt

Bit number	31	30	29	28	27	26	25	24	23	22	21	20	19	18	17	16	15	14	13	12	11	10	9	8	7	6	5	4	3	2	1	0
ID																																C B A
Reset 0x00000000	0 0																															
ID	Acce Field	Value ID	Value	Description																												
A	RW ENDKSGEN			Write '1' to enable interrupt for event ENDKSGEN																												
		Set	1	Enable																												
		Disabled	0	Read: Disabled																												
		Enabled	1	Read: Enabled																												
B	RW ENDCRYPT			Write '1' to enable interrupt for event ENDCRYPT																												
		Set	1	Enable																												
		Disabled	0	Read: Disabled																												
		Enabled	1	Read: Enabled																												
C	RW ERROR			Write '1' to enable interrupt for event ERROR																												

Bit number	31	30	29	28	27	26	25	24	23	22	21	20	19	18	17	16	15	14	13	12	11	10	9	8	7	6	5	4	3	2	1	0
ID																												C	B	A		
Reset 0x00000000	0 0																															
ID	Acce Field	Value ID	Value	Description																												
		Set	1	Enable																												
		Disabled	0	Read: Disabled																												
		Enabled	1	Read: Enabled																												

6.4.9.10 INTENCLR

Address offset: 0x308

Disable interrupt

Bit number	31	30	29	28	27	26	25	24	23	22	21	20	19	18	17	16	15	14	13	12	11	10	9	8	7	6	5	4	3	2	1	0
ID																												C	B	A		
Reset 0x00000000	0 0																															
ID	Acce Field	Value ID	Value	Description																												
A	RW	ENDKSGEN		Write '1' to disable interrupt for event ENDKSGEN																												
			Clear	1	Disable																											
			Disabled	0	Read: Disabled																											
		Enabled	1	Read: Enabled																												
B	RW	ENDCRYPT		Write '1' to disable interrupt for event ENDCRYPT																												
			Clear	1	Disable																											
			Disabled	0	Read: Disabled																											
		Enabled	1	Read: Enabled																												
C	RW	ERROR		Write '1' to disable interrupt for event ERROR																												
			Clear	1	Disable																											
			Disabled	0	Read: Disabled																											
		Enabled	1	Read: Enabled																												

6.4.9.11 MICSTATUS

Address offset: 0x400

MIC check result

Bit number	31	30	29	28	27	26	25	24	23	22	21	20	19	18	17	16	15	14	13	12	11	10	9	8	7	6	5	4	3	2	1	0
ID																												A				
Reset 0x00000000	0 0																															
ID	Acce Field	Value ID	Value	Description																												
A	R	MICSTATUS		The result of the MIC check performed during the previous decryption operation																												
			CheckFailed	0	MIC check failed																											
			CheckPassed	1	MIC check passed																											

6.4.9.12 ENABLE

Address offset: 0x500

Enable

Bit number	31	30	29	28	27	26	25	24	23	22	21	20	19	18	17	16	15	14	13	12	11	10	9	8	7	6	5	4	3	2	1	0	
ID																																A	A
Reset 0x00000000	0 0																																
ID	Acce Field	Value ID	Value	Description																													
A	RW ENABLE			Enable or disable CCM																													
		Disabled	0	Disable																													
		Enabled	2	Enable																													

6.4.9.13 MODE

Address offset: 0x504

Operation mode

Bit number	31	30	29	28	27	26	25	24	23	22	21	20	19	18	17	16	15	14	13	12	11	10	9	8	7	6	5	4	3	2	1	0
ID											C	B		B											A							
Reset 0x00000001	0 1																															
ID	Acce Field	Value ID	Value	Description																												
A	RW MODE			The mode of operation to be used. Settings in this register apply whenever either the KSGEN task or the CRYPT task is triggered.																												
		Encryption	0	AES CCM packet encryption mode																												
		Decryption	1	AES CCM packet decryption mode																												
B	RW DATARATE			Radio data rate that the CCM shall run synchronous with																												
		1Mbit	0	1 Mbps																												
		2Mbit	1	2 Mbps																												
		125Kbps	2	125 kbps																												
		500Kbps	3	500 kbps																												
C	RW LENGTH			Packet length configuration																												
		Default	0	Default length. Effective length of LENGTH field in encrypted/decrypted packet is 5 bits. A keystream for packet payloads up to 27 bytes will be generated.																												
		Extended	1	Extended length. Effective length of LENGTH field in encrypted/decrypted packet is 8 bits. A keystream for packet payloads up to MAXPACKETSIZE bytes will be generated.																												

6.4.9.14 CNFPTR

Address offset: 0x508

Pointer to data structure holding the AES key and the NONCE vector

Bit number	31	30	29	28	27	26	25	24	23	22	21	20	19	18	17	16	15	14	13	12	11	10	9	8	7	6	5	4	3	2	1	0
ID	A	A	A	A	A	A	A	A	A	A	A	A	A	A	A	A	A	A	A	A	A	A	A	A	A	A	A	A	A	A	A	A
Reset 0x00000000	0 0																															
ID	Acce Field	Value ID	Value	Description																												
A	RW CNFPTR			Pointer to the data structure holding the AES key and the CCM NONCE vector (see table CCM data structure overview)																												

6.4.9.15 INPTR

Address offset: 0x50C

Input pointer

Bit number	31	30	29	28	27	26	25	24	23	22	21	20	19	18	17	16	15	14	13	12	11	10	9	8	7	6	5	4	3	2	1	0
ID	A	A	A	A	A	A	A	A	A	A	A	A	A	A	A	A	A	A	A	A	A	A	A	A	A	A	A	A	A	A	A	A
Reset	0	0	0	0	0	0	0	0	0	0	0	0	0	0	0	0	0	0	0	0	0	0	0	0	0	0	0	0	0	0	0	0
ID	Acce Field	Value ID	Value	Description																												
A	RW	INPTR		Input pointer																												

6.4.9.16 OUTPTR

Address offset: 0x510

Output pointer

Bit number	31	30	29	28	27	26	25	24	23	22	21	20	19	18	17	16	15	14	13	12	11	10	9	8	7	6	5	4	3	2	1	0
ID	A	A	A	A	A	A	A	A	A	A	A	A	A	A	A	A	A	A	A	A	A	A	A	A	A	A	A	A	A	A	A	
Reset	0	0	0	0	0	0	0	0	0	0	0	0	0	0	0	0	0	0	0	0	0	0	0	0	0	0	0	0	0	0	0	
ID	Acce Field	Value ID	Value	Description																												
A	RW	OUTPTR		Output pointer																												

6.4.9.17 SCRATCHPTR

Address offset: 0x514

Pointer to data area used for temporary storage

Bit number	31	30	29	28	27	26	25	24	23	22	21	20	19	18	17	16	15	14	13	12	11	10	9	8	7	6	5	4	3	2	1	0
ID	A	A	A	A	A	A	A	A	A	A	A	A	A	A	A	A	A	A	A	A	A	A	A	A	A	A	A	A	A	A	A	
Reset	0	0	0	0	0	0	0	0	0	0	0	0	0	0	0	0	0	0	0	0	0	0	0	0	0	0	0	0	0	0	0	
ID	Acce Field	Value ID	Value	Description																												
A	RW	SCRATCHPTR		Pointer to a scratch data area used for temporary storage during keystream generation, MIC generation and encryption/decryption. The scratch area is used for temporary storage of data during keystream generation and encryption. When MODE.LENGTH = Default, a space of 43 bytes is required for this temporary storage. When MODE.LENGTH = Extended, a space of (16 + MAXPACKETSIZE) bytes is required.																												

6.4.9.18 MAXPACKETSIZE

Address offset: 0x518

Length of keystream generated when MODE.LENGTH = Extended

Bit number	31	30	29	28	27	26	25	24	23	22	21	20	19	18	17	16	15	14	13	12	11	10	9	8	7	6	5	4	3	2	1	0	
ID																										A	A	A	A	A	A	A	
Reset	0	0	0	0	0	0	0	0	0	0	0	0	0	0	0	0	0	0	0	0	0	0	0	0	0	1	1	1	1	1	0	1	1
ID	Acce Field	Value ID	Value	Description																													
A	RW	MAXPACKETSIZE	[0x001B..0x00FB]	Length of keystream generated when MODE.LENGTH = Extended. This value must be greater than or equal to the subsequent packet payload to be encrypted/decrypted.																													

6.4.9.19 RATEOVERRIDE

Address offset: 0x51C

Data rate override setting.

Override value to be used instead of the setting of MODE.DATARATE. This override value applies when the RATEOVERRIDE task is triggered.

Bit number	31 30 29 28 27 26 25 24 23 22 21 20 19 18 17 16 15 14 13 12 11 10 9 8 7 6 5 4 3 2 1 0																															
ID																															A	A
Reset 0x00000000	0 0																															
ID	Acce Field	Value ID	Value	Description																												
A	RW RATEOVERRIDE			Data rate override setting																												
		1Mbit	0	1 Mbps																												
		2Mbit	1	2 Mbps																												
		125Kbps	2	125 kbps																												
		500Kbps	3	500 kbps																												

6.4.9.20 HEADERMASK

Address offset: 0x520

Header (S0) mask.

Bitmask for packet header (S0) before MIC generation/authentication.

Bit number	31 30 29 28 27 26 25 24 23 22 21 20 19 18 17 16 15 14 13 12 11 10 9 8 7 6 5 4 3 2 1 0																																				
ID																															A	A	A	A	A	A	A
Reset 0x000000E3	0 1 1 1 0 0 0 1 1																																				
ID	Acce Field	Value ID	Value	Description																																	
A	RW HEADERMASK			Header (S0) mask																																	

6.4.10 Electrical specification

6.4.10.1 Timing specification

Symbol	Description	Min.	Typ.	Max.	Units
t_{ngen}	Time needed for keystream generation (given priority access to destination RAM block)			50	μs

6.5 COMP — Comparator

The comparator (COMP) compares an input voltage (VIN+) against a second input voltage (VIN-). VIN+ can be derived from an analog input pin (AIN0-AIN7). VIN- can be derived from multiple sources depending on the operation mode of the comparator.

The main features of COMP are the following:

- Input range from 0 V to VDD
- Single-ended mode
 - Fully flexible hysteresis using a 64-level reference ladder
- Differential mode

- Configurable hysteresis
- Reference inputs (VREF):
 - VDD
 - External reference from AIN0 to AIN7 (between 0 V and VDD)
 - Internal references 1.2 V, 1.8 V, and 2.4 V
- Three speed/power consumption modes:
 - Low-power
 - Normal
 - High-speed
- Event generation on output changes
 - UP event on $V_{IN-} > V_{IN+}$
 - DOWN event on $V_{IN-} < V_{IN+}$
 - CROSS event on V_{IN+} and V_{IN-} crossing
 - READY event on core and internal reference (if used) ready

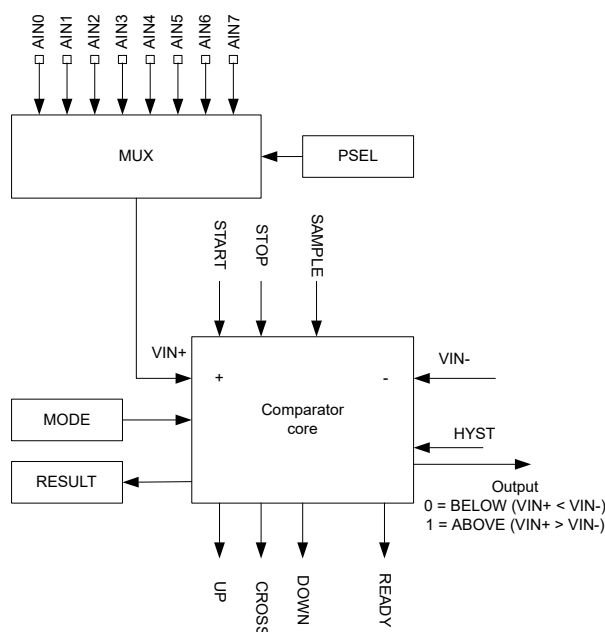


Figure 38: Comparator overview

Once enabled (using the [ENABLE](#) register), the comparator is started by triggering the START task and stopped by triggering the STOP task. The comparator will generate a READY event to indicate when it is ready for use and the output is correct. The delay between START and READY is $t_{INT_REF,START}$ if an internal reference is selected, or $t_{COMP,START}$ if an external reference is used. When the COMP module is started, events will be generated every time V_{IN+} crosses V_{IN-} .

Operation modes

The comparator can be configured to operate in two main operation modes: differential mode and single-ended mode. See the [MODE](#) register for more information. In both operation modes, the comparator can operate in different speed and power consumption modes (low-power, normal and high-speed). High-speed mode will consume more power compared to low-power mode, and low-power mode will result in slower response time compared to high-speed mode.

Use the [PSEL](#) register to select any of the AIN0-AIN7 pins as VIN+ input, regardless of the operation mode selected for the comparator. The source of VIN- depends on which of the following operation mode are used:

- Differential mode - Derived directly from AIN0 to AIN7
- Single-ended mode - Derived from VREF. VREF can be derived from VDD, AIN0-AIN7 or internal 1.2 V, 1.8 V and 2.4 V references.

The selected analog pins will be acquired by the comparator once it is enabled.

An optional hysteresis on VIN+ and VIN- can be enabled when the module is used in differential mode through the [HYST](#) register. In single-ended mode, VUP and VDOWN thresholds can be set to implement a hysteresis using the reference ladder (see [Comparator in single-ended mode](#) on page 126). This hysteresis is in the order of magnitude of $V_{DIFFHYST}$, and shall prevent noise on the signal to create unwanted events. See [Hysteresis example where VIN+ starts below VUP](#) on page 126 for an illustration of the effect of an active hysteresis on a noisy input signal.

An upward crossing will generate an UP event and a downward crossing will generate a DOWN event. The CROSS event will be generated every time there is a crossing, independent of direction.

The immediate value of the comparator can be sampled to [RESULT](#) register by triggering the SAMPLE task.

6.5.1 Shared resources

The COMP shares analog resources with other analog peripherals.

While it is possible to use the SAADC at the same time as the COMP, selecting the same analog input pin for both peripherals is not supported.

Additionally, COMP shares registers and other resources with other peripherals that have the same ID as the COMP. See [Peripherals with shared ID](#) on page 99 for more information.

The COMP peripheral shall not be disabled (by writing to the ENABLE register) before the peripheral has been stopped. Failing to do so may result in unpredictable behavior.

6.5.2 Differential mode

In differential mode, the reference input VIN- is derived directly from one of the AINx pins.

Before enabling the comparator via the [ENABLE](#) register, the following registers must be configured for the differential mode:

- [PSEL](#)
- [MODE](#)
- [EXTREFSEL](#)

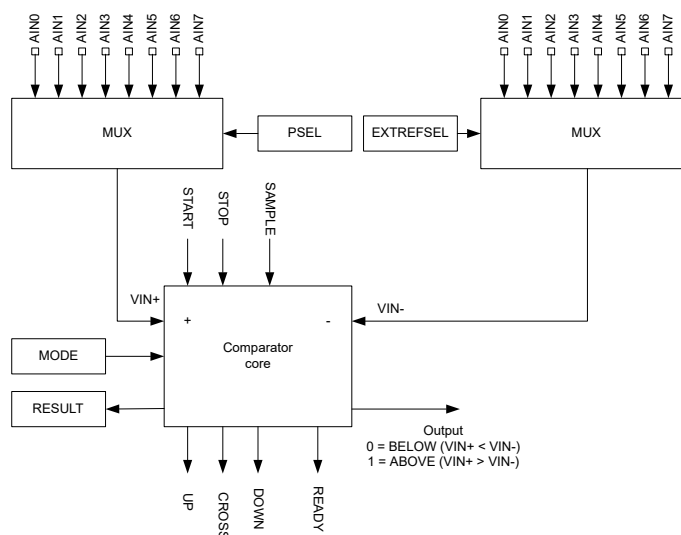


Figure 39: Comparator in differential mode

Note: Depending on the device, not all the analog inputs may be available for each MUX. See definitions for [PSEL](#) and [EXTREFSEL](#) for more information about which analog pins are available on a particular device.

When the [HYST](#) register is turned on during this mode, the output of the comparator and associated events do the following:

- Change from ABOVE to BELOW when V_{IN+} drops below $V_{IN-} - (V_{DIFFHYST}/2)$
- Change from BELOW to ABOVE when V_{IN+} raises above $V_{IN-} + (V_{DIFFHYST}/2)$

This behavior is illustrated in the following figure.

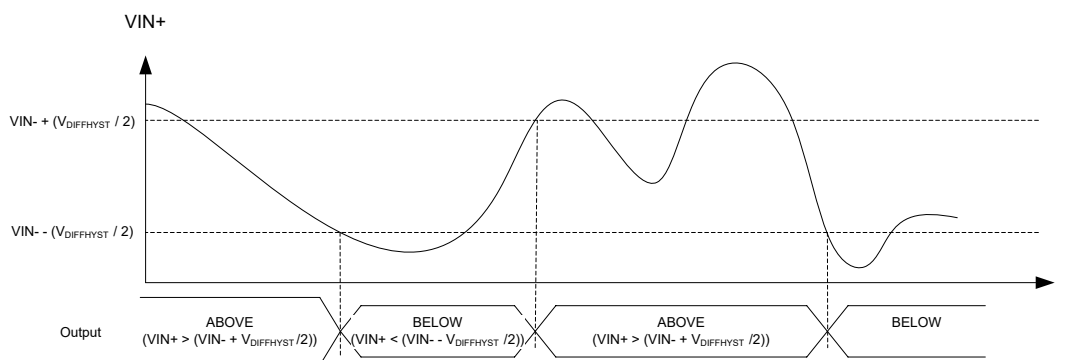


Figure 40: Hysteresis enabled in differential mode

6.5.3 Single-ended mode

In single-ended mode, V_{IN-} is derived from the reference ladder.

Before enabling the comparator via the [ENABLE](#) register, the following registers must be configured for the single-ended mode:

- [PSEL](#)
- [MODE](#)
- [REFSEL](#)
- [EXTREFSEL](#)
- [TH](#)

The reference ladder uses the reference voltage (VREF) to derive two new voltage references, VUP and VDOWN. VUP and VDOWN are configured using THUP and THDOWN respectively in the TH register. VREF can be derived from any of the available reference sources, configured using the EXTREFSEL and REFSEL registers as shown in the following figure. When AREF is selected in the REFSEL register, the EXTREFSEL register is used to select one of the AIN0-AIN7 analog input pins as reference input. The selected analog pins will be acquired by the comparator once it is enabled.

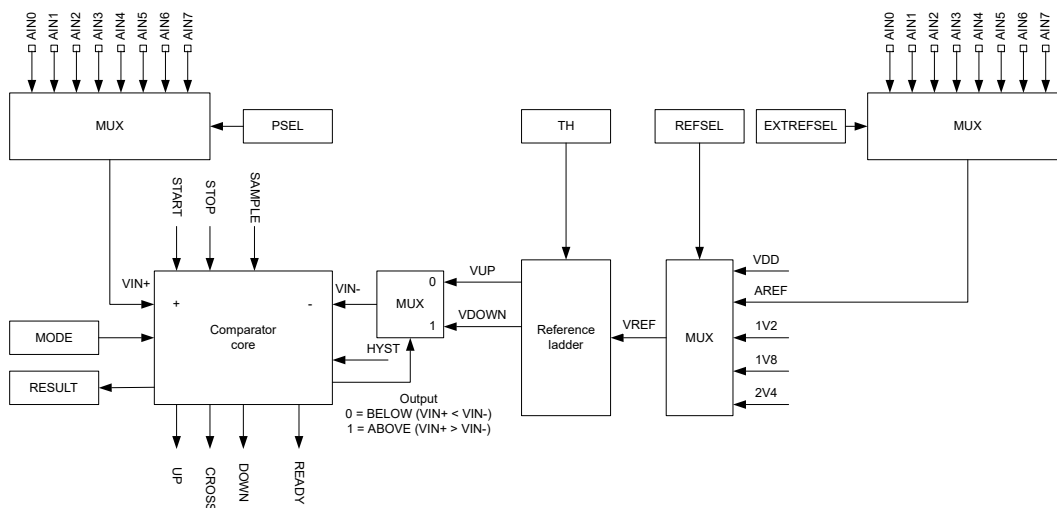


Figure 41: Comparator in single-ended mode

Note: Depending on the device, not all the analog inputs may be available for each MUX. See definitions for PSEL and EXTREFSEL for more information about which analog pins are available on a particular device.

When the comparator core detects that $VIN+ > VIN-$, i.e. ABOVE as per the RESULT register, $VIN-$ will switch to VDOWN. When $VIN+$ falls below $VIN-$ again, $VIN-$ will be switched back to VUP. By specifying VUP larger than VDOWN, a hysteresis can be generated as illustrated in the following figures.

Writing to HYST has no effect in single-ended mode, and the content of this register is ignored.

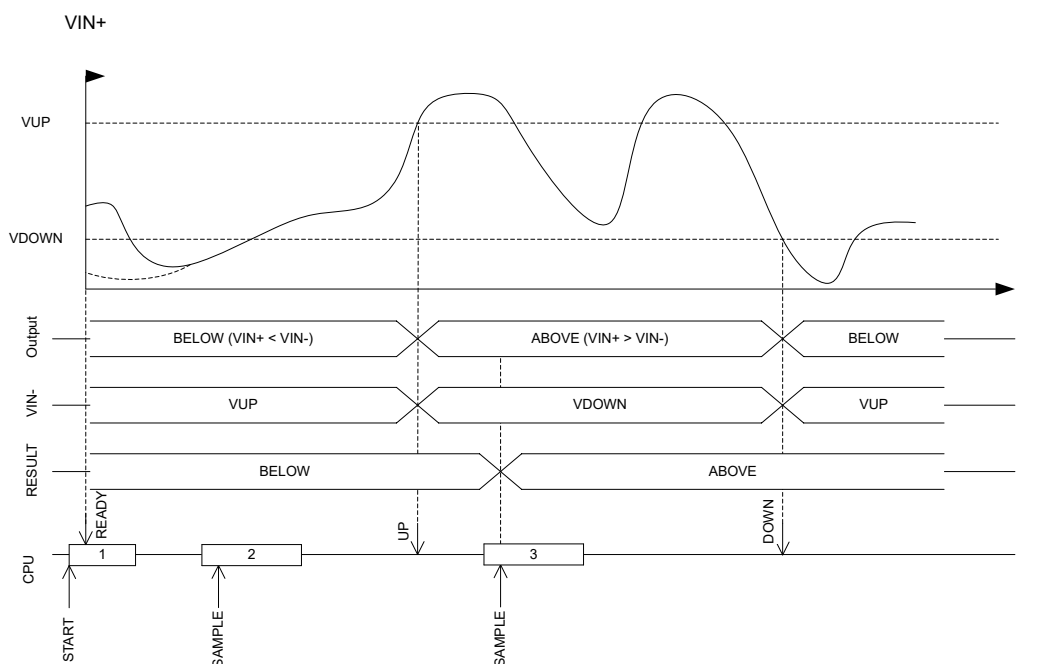


Figure 42: Hysteresis example where $VIN+$ starts below VUP

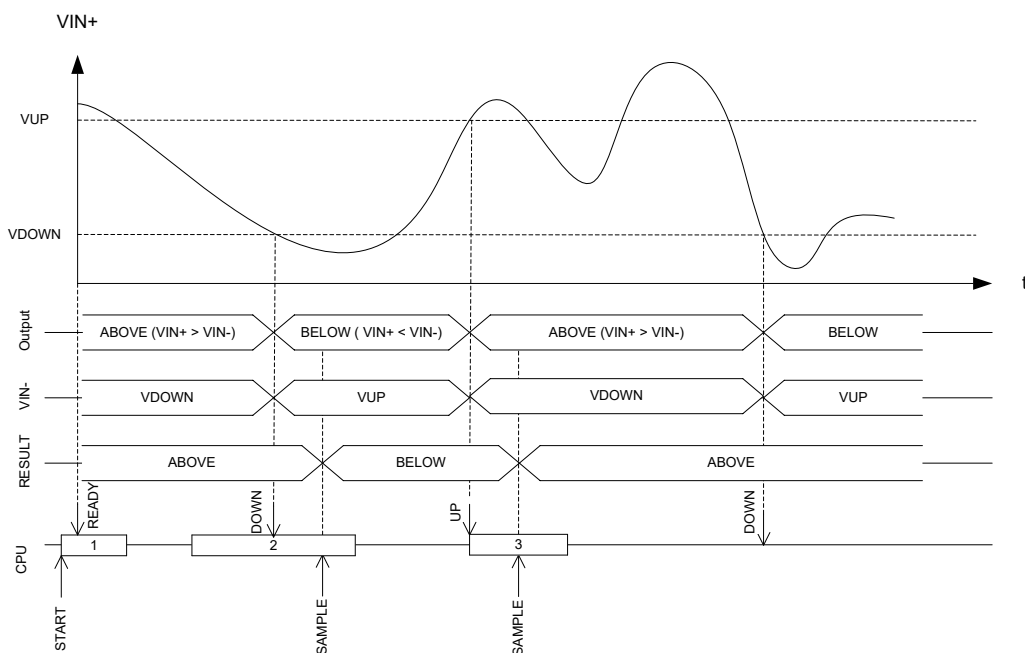


Figure 43: Hysteresis example where $VIN+$ starts above VUP

6.5.4 Registers

Base address	Peripheral	Instance	Description	Configuration
0x40013000	COMP	COMP	General purpose comparator	

Table 34: Instances

Register	Offset	Description
TASKS_START	0x000	Start comparator
TASKS_STOP	0x004	Stop comparator
TASKS_SAMPLE	0x008	Sample comparator value
EVENTS_READY	0x100	COMP is ready and output is valid
EVENTS_DOWN	0x104	Downward crossing
EVENTS_UP	0x108	Upward crossing
EVENTS_CROSS	0x10C	Downward or upward crossing
SHORTS	0x200	Shortcuts between local events and tasks
INTEN	0x300	Enable or disable interrupt
INTENSET	0x304	Enable interrupt
INTENCLR	0x308	Disable interrupt
RESULT	0x400	Compare result
ENABLE	0x500	COMP enable
PSEL	0x504	Pin select
REFSEL	0x508	Reference source select for single-ended mode
EXTREFSEL	0x50C	External reference select
TH	0x530	Threshold configuration for hysteresis unit
MODE	0x534	Mode configuration
HYST	0x538	Comparator hysteresis enable

Table 35: Register overview

6.5.4.1 TASKS_START

Address offset: 0x000

Start comparator

Bit number	31 30 29 28 27 26 25 24 23 22 21 20 19 18 17 16 15 14 13 12 11 10 9 8 7 6 5 4 3 2 1 0																														
ID	A																														
Reset 0x00000000	0 0																														
ID	Acce Field	Value ID	Value	Description																											
A	W TASKS_START			Start comparator																											
		Trigger	1	Trigger task																											

6.5.4.2 TASKS_STOP

Address offset: 0x004

Stop comparator

Bit number	31 30 29 28 27 26 25 24 23 22 21 20 19 18 17 16 15 14 13 12 11 10 9 8 7 6 5 4 3 2 1 0																														
ID	A																														
Reset 0x00000000	0 0																														
ID	Acce Field	Value ID	Value	Description																											
A	W TASKS_STOP			Stop comparator																											
		Trigger	1	Trigger task																											

6.5.4.3 TASKS_SAMPLE

Address offset: 0x008

Sample comparator value

Bit number	31 30 29 28 27 26 25 24 23 22 21 20 19 18 17 16 15 14 13 12 11 10 9 8 7 6 5 4 3 2 1 0																														
ID	A																														
Reset 0x00000000	0 0																														
ID	Acce Field	Value ID	Value	Description																											
A	W TASKS_SAMPLE			Sample comparator value																											
		Trigger	1	Trigger task																											

6.5.4.4 EVENTS_READY

Address offset: 0x100

COMP is ready and output is valid

Bit number	31 30 29 28 27 26 25 24 23 22 21 20 19 18 17 16 15 14 13 12 11 10 9 8 7 6 5 4 3 2 1 0																														
ID	A																														
Reset 0x00000000	0 0																														
ID	Acce Field	Value ID	Value	Description																											
A	RW EVENTS_READY			COMP is ready and output is valid																											
		NotGenerated	0	Event not generated																											
		Generated	1	Event generated																											

6.5.4.5 EVENTS_DOWN

Address offset: 0x104

Downward crossing

Bit number	31 30 29 28 27 26 25 24 23 22 21 20 19 18 17 16 15 14 13 12 11 10 9 8 7 6 5 4 3 2 1 0																														
ID	A																														
Reset 0x00000000	0 0																														
ID	Acce Field	Value ID	Value	Description																											
A	RW EVENTS_DOWN			Downward crossing																											
		NotGenerated	0	Event not generated																											
		Generated	1	Event generated																											

6.5.4.6 EVENTS_UP

Address offset: 0x108

Upward crossing

Bit number	31 30 29 28 27 26 25 24 23 22 21 20 19 18 17 16 15 14 13 12 11 10 9 8 7 6 5 4 3 2 1 0																														
ID	A																														
Reset 0x00000000	0 0																														
ID	Acce Field	Value ID	Value	Description																											
A	RW EVENTS_UP			Upward crossing																											
		NotGenerated	0	Event not generated																											
		Generated	1	Event generated																											

6.5.4.7 EVENTS_CROSS

Address offset: 0x10C

Downward or upward crossing

Bit number	31 30 29 28 27 26 25 24 23 22 21 20 19 18 17 16 15 14 13 12 11 10 9 8 7 6 5 4 3 2 1 0																														
ID	A																														
Reset 0x00000000	0 0																														
ID	Acce Field	Value ID	Value	Description																											
A	RW EVENTS_CROSS			Downward or upward crossing																											
		NotGenerated	0	Event not generated																											
		Generated	1	Event generated																											

6.5.4.8 SHORTS

Address offset: 0x200

Shortcuts between local events and tasks

Bit number	31 30 29 28 27 26 25 24 23 22 21 20 19 18 17 16 15 14 13 12 11 10 9 8 7 6 5 4 3 2 1 0																														
ID	E D C B A																														
Reset 0x00000000	0 0																														
ID	Acce Field	Value ID	Value	Description																											
A	RW READY_SAMPLE			Shortcut between event READY and task SAMPLE																											
		Disabled	0	Disable shortcut																											
		Enabled	1	Enable shortcut																											

Bit number	31 30 29 28 27 26 25 24 23 22 21 20 19 18 17 16 15 14 13 12 11 10 9 8 7 6 5 4 3 2 1 0																																		
ID																															E	D	C	B	A
Reset 0x00000000	0 0																																		
ID	Acce Field	Value ID	Value	Description																															
B	RW READY_STOP	Disabled	0	Shortcut between event READY and task STOP Disable shortcut																															
		Enabled	1	Enable shortcut																															
C	RW DOWN_STOP	Disabled	0	Shortcut between event DOWN and task STOP Disable shortcut																															
		Enabled	1	Enable shortcut																															
D	RW UP_STOP	Disabled	0	Shortcut between event UP and task STOP Disable shortcut																															
		Enabled	1	Enable shortcut																															
E	RW CROSS_STOP	Disabled	0	Shortcut between event CROSS and task STOP Disable shortcut																															
		Enabled	1	Enable shortcut																															

6.5.4.9 INTEN

Address offset: 0x300

Enable or disable interrupt

Bit number	31 30 29 28 27 26 25 24 23 22 21 20 19 18 17 16 15 14 13 12 11 10 9 8 7 6 5 4 3 2 1 0																																	
ID																															D	C	B	A
Reset 0x00000000	0 0																																	
ID	Acce Field	Value ID	Value	Description																														
A	RW READY	Disabled	0	Enable or disable interrupt for event READY Disable																														
		Enabled	1	Enable																														
B	RW DOWN	Disabled	0	Enable or disable interrupt for event DOWN Disable																														
		Enabled	1	Enable																														
C	RW UP	Disabled	0	Enable or disable interrupt for event UP Disable																														
		Enabled	1	Enable																														
D	RW CROSS	Disabled	0	Enable or disable interrupt for event CROSS Disable																														
		Enabled	1	Enable																														

6.5.4.10 INTENSET

Address offset: 0x304

Enable interrupt

Bit number	31 30 29 28 27 26 25 24 23 22 21 20 19 18 17 16 15 14 13 12 11 10 9 8 7 6 5 4 3 2 1 0																																	
ID																															D	C	B	A
Reset 0x00000000	0 0																																	
ID	Acce Field	Value ID	Value	Description																														
A	RW READY	Set	1	Write '1' to enable interrupt for event READY Enable																														
		Disabled	0	Read: Disabled																														
		Enabled	1	Read: Enabled																														
B	RW DOWN			Write '1' to enable interrupt for event DOWN																														

Bit number	31 30 29 28 27 26 25 24 23 22 21 20 19 18 17 16 15 14 13 12 11 10 9 8 7 6 5 4 3 2 1 0																																	
ID																															D	C	B	A
Reset 0x00000000	0 0																																	
ID	Acce Field	Value ID	Value	Description																														
		Set	1	Enable																														
		Disabled	0	Read: Disabled																														
		Enabled	1	Read: Enabled																														
C	RW UP			Write '1' to enable interrupt for event UP																														
		Set	1	Enable																														
		Disabled	0	Read: Disabled																														
		Enabled	1	Read: Enabled																														
D	RW CROSS			Write '1' to enable interrupt for event CROSS																														
		Set	1	Enable																														
		Disabled	0	Read: Disabled																														
		Enabled	1	Read: Enabled																														

6.5.4.11 INTENCLR

Address offset: 0x308

Disable interrupt

Bit number	31 30 29 28 27 26 25 24 23 22 21 20 19 18 17 16 15 14 13 12 11 10 9 8 7 6 5 4 3 2 1 0																																	
ID																															D	C	B	A
Reset 0x00000000	0 0																																	
ID	Acce Field	Value ID	Value	Description																														
A	RW READY			Write '1' to disable interrupt for event READY																														
		Clear	1	Disable																														
		Disabled	0	Read: Disabled																														
		Enabled	1	Read: Enabled																														
B	RW DOWN			Write '1' to disable interrupt for event DOWN																														
		Clear	1	Disable																														
		Disabled	0	Read: Disabled																														
		Enabled	1	Read: Enabled																														
C	RW UP			Write '1' to disable interrupt for event UP																														
		Clear	1	Disable																														
		Disabled	0	Read: Disabled																														
		Enabled	1	Read: Enabled																														
D	RW CROSS			Write '1' to disable interrupt for event CROSS																														
		Clear	1	Disable																														
		Disabled	0	Read: Disabled																														
		Enabled	1	Read: Enabled																														

6.5.4.12 RESULT

Address offset: 0x400

Compare result

Bit number	31	30	29	28	27	26	25	24	23	22	21	20	19	18	17	16	15	14	13	12	11	10	9	8	7	6	5	4	3	2	1	0
ID																																A
Reset	0x00000000																															
Reset	0	0	0	0	0	0	0	0	0	0	0	0	0	0	0	0	0	0	0	0	0	0	0	0	0	0	0	0	0	0	0	0
ID	Acce Field	Value ID	Value	Description																												
A	R	RESULT		Result of last compare. Decision point SAMPLE task.																												
		Below	0	Input voltage is below the threshold (VIN+ < VIN-)																												
		Above	1	Input voltage is above the threshold (VIN+ > VIN-)																												

6.5.4.13 ENABLE

Address offset: 0x500

COMP enable

Bit number	31	30	29	28	27	26	25	24	23	22	21	20	19	18	17	16	15	14	13	12	11	10	9	8	7	6	5	4	3	2	1	0
ID																																A
Reset	0x00000000																															
Reset	0	0	0	0	0	0	0	0	0	0	0	0	0	0	0	0	0	0	0	0	0	0	0	0	0	0	0	0	0	0	0	
ID	Acce Field	Value ID	Value	Description																												
A	RW	ENABLE		Enable or disable COMP																												
		Disabled	0	Disable																												
		Enabled	2	Enable																												

6.5.4.14 PSEL

Address offset: 0x504

Pin select

Bit number	31	30	29	28	27	26	25	24	23	22	21	20	19	18	17	16	15	14	13	12	11	10	9	8	7	6	5	4	3	2	1	0
ID																																A
Reset	0x00000000																															
Reset	0	0	0	0	0	0	0	0	0	0	0	0	0	0	0	0	0	0	0	0	0	0	0	0	0	0	0	0	0	0	0	
ID	Acce Field	Value ID	Value	Description																												
A	RW	PSEL		Analog pin select																												
		AnalogInput0	0	AIN0 selected as analog input																												
		AnalogInput1	1	AIN1 selected as analog input																												
		AnalogInput2	2	AIN2 selected as analog input																												
		AnalogInput3	3	AIN3 selected as analog input																												
		AnalogInput4	4	AIN4 selected as analog input																												
		AnalogInput5	5	AIN5 selected as analog input																												
		AnalogInput6	6	AIN6 selected as analog input																												
		AnalogInput7	7	AIN7 selected as analog input																												

6.5.4.15 REFSEL

Address offset: 0x508

Reference source select for single-ended mode

Bit number	31 30 29 28 27 26 25 24 23 22 21 20 19 18 17 16 15 14 13 12 11 10 9 8 7 6 5 4 3 2 1 0																																
ID																															A	A	A
Reset 0x00000004	0 0																														1	0	0
ID	Acce Field	Value ID	Value	Description																													
A	RW REFSEL			Reference select																													
		Int1V2	0	VREF = internal 1.2 V reference (VDD >= 1.7 V)																													
		Int1V8	1	VREF = internal 1.8 V reference (VDD >= VREF + 0.2 V)																													
		Int2V4	2	VREF = internal 2.4 V reference (VDD >= VREF + 0.2 V)																													
		VDD	4	VREF = VDD																													
		ARef	5	VREF = AREF																													

6.5.4.16 EXTREFSEL

Address offset: 0x50C

External reference select

Bit number	31 30 29 28 27 26 25 24 23 22 21 20 19 18 17 16 15 14 13 12 11 10 9 8 7 6 5 4 3 2 1 0																																
ID																															A	A	A
Reset 0x00000000	0 0																														0	0	0
ID	Acce Field	Value ID	Value	Description																													
A	RW EXTREFSEL			External analog reference select																													
		AnalogReference0	0	Use AIN0 as external analog reference																													
		AnalogReference1	1	Use AIN1 as external analog reference																													
		AnalogReference2	2	Use AIN2 as external analog reference																													
		AnalogReference3	3	Use AIN3 as external analog reference																													
		AnalogReference4	4	Use AIN4 as external analog reference																													
		AnalogReference5	5	Use AIN5 as external analog reference																													
		AnalogReference6	6	Use AIN6 as external analog reference																													
		AnalogReference7	7	Use AIN7 as external analog reference																													

6.5.4.17 TH

Address offset: 0x530

Threshold configuration for hysteresis unit

Bit number	31 30 29 28 27 26 25 24 23 22 21 20 19 18 17 16 15 14 13 12 11 10 9 8 7 6 5 4 3 2 1 0																																						
ID																													B	B	B	B	B	A	A	A	A	A	A
Reset 0x00000000	0 0																														0	0	0						
ID	Acce Field	Value ID	Value	Description																																			
A	RW THDOWN		[63:0]	$V_{DOWN} = (THDOWN+1)/64 * VREF$																																			
B	RW THUP		[63:0]	$V_{UP} = (THUP+1)/64 * VREF$																																			

6.5.4.18 MODE

Address offset: 0x534

Mode configuration

Bit number	31	30	29	28	27	26	25	24	23	22	21	20	19	18	17	16	15	14	13	12	11	10	9	8	7	6	5	4	3	2	1	0																							
ID																											B			A	A																								
Reset	0x00000000																										0	0	0	0	0	0	0	0	0	0	0	0	0	0	0	0	0	0	0	0	0	0	0	0	0	0	0	0	0
ID	Acce	Field	Value ID	Value	Description																																																		
A	RW	SP			Speed and power modes																																																		
			Low	0	Low-power mode																																																		
			Normal	1	Normal mode																																																		
			High	2	High-speed mode																																																		
B	RW	MAIN			Main operation modes																																																		
			SE	0	Single-ended mode																																																		
			Diff	1	Differential mode																																																		

6.5.4.19 HYST

Address offset: 0x538

Comparator hysteresis enable

Bit number	31	30	29	28	27	26	25	24	23	22	21	20	19	18	17	16	15	14	13	12	11	10	9	8	7	6	5	4	3	2	1	0																							
ID																													A																										
Reset	0x00000000																										0	0	0	0	0	0	0	0	0	0	0	0	0	0	0	0	0	0	0	0	0	0	0	0	0	0	0	0	0
ID	Acce	Field	Value ID	Value	Description																																																		
A	RW	HYST			Comparator hysteresis																																																		
			NoHyst	0	Comparator hysteresis disabled																																																		
			Hyst50mV	1	Comparator hysteresis enabled																																																		

6.5.5 Electrical specification

6.5.5.1 COMP Electrical Specification

Symbol	Description	Min.	Typ.	Max.	Units
$t_{\text{PROPDLY,LP}}$	Propagation delay, Low-power mode ¹³		0.6		μs
$t_{\text{PROPDLY,N}}$	Propagation delay, Normal mode ¹³		0.2		μs
$t_{\text{PROPDLY,HS}}$	Propagation delay, High-speed mode ¹³		0.1		μs
V_{DIFFHYST}	Optional hysteresis applied to differential input	10	30	90	mV
$V_{\text{VDD-VREF}}$	Required difference between VDD and a selected VREF, VDD > VREF	0.3			V
$t_{\text{INT_REF,START}}$	Startup time for the internal bandgap reference		50	80	μs
$E_{\text{INT_REF}}$	Internal bandgap reference error	-3		3	%
$V_{\text{INPUTOFFSET}}$	Input offset	-15		15	mV
$t_{\text{COMP,START}}$	Startup time for the comparator core		3		μs

6.6 ECB — AES electronic codebook mode encryption

The AES electronic codebook mode encryption (ECB) can be used for a range of cryptographic functions like hash generation, digital signatures, and keystream generation for data encryption/decryption. The ECB encryption block supports 128 bit AES encryption (encryption only, not decryption).

¹³ Propagation delay is with 10 mV overdrive.

AES ECB operates with EasyDMA access to system Data RAM for in-place operations on cleartext and ciphertext during encryption. ECB uses the same AES core as the CCM and AAR blocks, and is an asynchronous operation which may not complete if the AES core is busy.

AES ECB features:

- 128 bit AES encryption
- Supports standard AES ECB block encryption
- Memory pointer support
- DMA data transfer

AES ECB performs a 128 bit AES block encrypt. At the STARTECB task, data and key is loaded into the algorithm by EasyDMA. When output data has been written back to memory, the ENDECB event is triggered.

AES ECB can be stopped by triggering the STOPECB task.

6.6.1 Shared resources

The ECB, CCM, and AAR share the same AES module. The ECB will always have lowest priority, and if there is a sharing conflict during encryption, the ECB operation will be aborted and an ERRORECB event will be generated.

6.6.2 EasyDMA

The ECB implements an EasyDMA mechanism for reading and writing to the Data RAM. This DMA cannot access the program memory or any other parts of the memory area except RAM.

If the ECBDATAPTR is not pointing to the Data RAM region, an EasyDMA transfer may result in a HardFault or RAM corruption. See [Memory](#) on page 19 for more information about the different memory regions.

The EasyDMA will have finished accessing the Data RAM when the ENDECB or ERRORECB is generated.

6.6.3 ECB data structure

Block encrypt input and output is stored in the same data structure. ECBDATAPTR should point to this data structure before STARTECB is initiated.

Property	Address offset	Description
KEY	0	16 byte AES key
CLEARTEXT	16	16 byte AES cleartext input block
CIPHERTEXT	32	16 byte AES ciphertext output block

Table 36: ECB data structure overview

6.6.4 Registers

Base address	Peripheral	Instance	Description	Configuration
0x4000E000	ECB	ECB	AES electronic code book (ECB) mode block encryption	

Table 37: Instances

Register	Offset	Description
TASKS_STARTECB	0x000	Start ECB block encrypt
TASKS_STOPECB	0x004	Abort a possible executing ECB operation
EVENTS_ENDECB	0x100	ECB block encrypt complete
EVENTS_ERRORECB	0x104	ECB block encrypt aborted because of a STOPECB task or due to an error
INTENSET	0x304	Enable interrupt
INTENCLR	0x308	Disable interrupt
ECBDATAPTR	0x504	ECB block encrypt memory pointers

Table 38: Register overview

6.6.4.1 TASKS_STARTECB

Address offset: 0x000

Start ECB block encrypt

If a crypto operation is already running in the AES core, the STARTECB task will not start a new encryption and an ERRORECB event will be triggered.

Bit number	31	30	29	28	27	26	25	24	23	22	21	20	19	18	17	16	15	14	13	12	11	10	9	8	7	6	5	4	3	2	1	0
ID																												A				
Reset 0x00000000	0 0																															
ID	Acce	Field	Value	ID	Value	Description																										
A	W	TASKS_STARTECB				Start ECB block encrypt																										
			Trigger	1		If a crypto operation is already running in the AES core, the STARTECB task will not start a new encryption and an ERRORECB event will be triggered. Trigger task																										

6.6.4.2 TASKS_STOPECB

Address offset: 0x004

Abort a possible executing ECB operation

If a running ECB operation is aborted by STOPECB, the ERRORECB event is triggered.

Bit number	31	30	29	28	27	26	25	24	23	22	21	20	19	18	17	16	15	14	13	12	11	10	9	8	7	6	5	4	3	2	1	0
ID																												A				
Reset 0x00000000	0 0																															
ID	Acce	Field	Value	ID	Value	Description																										
A	W	TASKS_STOPECB				Abort a possible executing ECB operation																										
			Trigger	1		If a running ECB operation is aborted by STOPECB, the ERRORECB event is triggered. Trigger task																										

6.6.4.3 EVENTS_ENDECB

Address offset: 0x100

ECB block encrypt complete

Bit number	31	30	29	28	27	26	25	24	23	22	21	20	19	18	17	16	15	14	13	12	11	10	9	8	7	6	5	4	3	2	1	0
ID																																A
Reset	0x00000000																															
Reset	0 0																															
ID	Acce Field	Value ID	Value	Description																												
A	RW	EVENTS_ENDECB		ECB block encrypt complete																												
			NotGenerated	0	Event not generated																											
			Generated	1	Event generated																											

6.6.4.4 EVENTS_ERRORECB

Address offset: 0x104

ECB block encrypt aborted because of a STOPECB task or due to an error

Bit number	31	30	29	28	27	26	25	24	23	22	21	20	19	18	17	16	15	14	13	12	11	10	9	8	7	6	5	4	3	2	1	0
ID																																A
Reset	0x00000000																															
Reset	0 0																															
ID	Acce Field	Value ID	Value	Description																												
A	RW	EVENTS_ERRORECB		ECB block encrypt aborted because of a STOPECB task or due to an error																												
			NotGenerated	0	Event not generated																											
			Generated	1	Event generated																											

6.6.4.5 INTENSET

Address offset: 0x304

Enable interrupt

Bit number	31	30	29	28	27	26	25	24	23	22	21	20	19	18	17	16	15	14	13	12	11	10	9	8	7	6	5	4	3	2	1	0
ID																																B A
Reset	0x00000000																															
Reset	0 0																															
ID	Acce Field	Value ID	Value	Description																												
A	RW	ENDECB		Write '1' to enable interrupt for event ENDECB																												
			Set	1	Enable																											
			Disabled	0	Read: Disabled																											
		Enabled	1	Read: Enabled																												
B	RW	ERRORECB		Write '1' to enable interrupt for event ERRORECB																												
			Set	1	Enable																											
			Disabled	0	Read: Disabled																											
		Enabled	1	Read: Enabled																												

6.6.4.6 INTENCLR

Address offset: 0x308

Disable interrupt

Bit number	31 30 29 28 27 26 25 24 23 22 21 20 19 18 17 16 15 14 13 12 11 10 9 8 7 6 5 4 3 2 1 0																															
ID																															B	A
Reset	0x00000000																															
ID	Acce Field	Value ID	Value	Description																												
A	RW ENDECB			Write '1' to disable interrupt for event ENDECB																												
		Clear	1	Disable																												
		Disabled	0	Read: Disabled																												
		Enabled	1	Read: Enabled																												
B	RW ERRORECB			Write '1' to disable interrupt for event ERRORECB																												
		Clear	1	Disable																												
		Disabled	0	Read: Disabled																												
		Enabled	1	Read: Enabled																												

6.6.4.7 ECBDATAPTR

Address offset: 0x504

ECB block encrypt memory pointers

Bit number	31 30 29 28 27 26 25 24 23 22 21 20 19 18 17 16 15 14 13 12 11 10 9 8 7 6 5 4 3 2 1 0																															
ID	A																														A	A
Reset	0x00000000																															
ID	Acce Field	Value ID	Value	Description																												
A	RW ECBDATAPTR			Pointer to the ECB data structure (see Table 1 ECB data structure overview)																												

6.6.5 Electrical specification

6.6.5.1 ECB Electrical Specification

Symbol	Description	Min.	Typ.	Max.	Units
t_{ECB}	Run time per 16 byte block in all modes			7.2	μ s

6.7 EGU — Event generator unit

Event generator unit (EGU) provides support for interlayer signaling. This means providing support for atomic triggering of both CPU execution and hardware tasks, from both firmware (by CPU) and hardware (by PPI). This feature can be used for triggering CPU execution at a lower priority execution from a higher priority execution, or to handle a peripheral's interrupt service routine (ISR) execution at a lower priority for some of its events. However, triggering any priority from any priority is possible.

Listed here are the main EGU features:

- Software-enabled interrupt triggering
- Separate interrupt vectors for every EGU instance
- Up to 16 separate event flags per interrupt for multiplexing

Each instance of EGU implements a set of tasks which can individually be triggered to generate the corresponding event. For example, the corresponding event for `TASKS_TRIGGER[n]` is `EVENTS_TRIGGERED[n]`. See [Instances](#) on page 139 for a list of EGU instances.

6.7.1 Registers

Base address	Peripheral	Instance	Description	Configuration
0x40014000	EGU	EGU0	Event generator unit 0	
0x40015000	EGU	EGU1	Event generator unit 1	
0x40016000	EGU	EGU2	Event generator unit 2	
0x40017000	EGU	EGU3	Event generator unit 3	
0x40018000	EGU	EGU4	Event generator unit 4	
0x40019000	EGU	EGU5	Event generator unit 5	

Table 39: Instances

Register	Offset	Description
TASKS_TRIGGER[0]	0x000	Trigger 0 for triggering the corresponding TRIGGERED[0] event
TASKS_TRIGGER[1]	0x004	Trigger 1 for triggering the corresponding TRIGGERED[1] event
TASKS_TRIGGER[2]	0x008	Trigger 2 for triggering the corresponding TRIGGERED[2] event
TASKS_TRIGGER[3]	0x00C	Trigger 3 for triggering the corresponding TRIGGERED[3] event
TASKS_TRIGGER[4]	0x010	Trigger 4 for triggering the corresponding TRIGGERED[4] event
TASKS_TRIGGER[5]	0x014	Trigger 5 for triggering the corresponding TRIGGERED[5] event
TASKS_TRIGGER[6]	0x018	Trigger 6 for triggering the corresponding TRIGGERED[6] event
TASKS_TRIGGER[7]	0x01C	Trigger 7 for triggering the corresponding TRIGGERED[7] event
TASKS_TRIGGER[8]	0x020	Trigger 8 for triggering the corresponding TRIGGERED[8] event
TASKS_TRIGGER[9]	0x024	Trigger 9 for triggering the corresponding TRIGGERED[9] event
TASKS_TRIGGER[10]	0x028	Trigger 10 for triggering the corresponding TRIGGERED[10] event
TASKS_TRIGGER[11]	0x02C	Trigger 11 for triggering the corresponding TRIGGERED[11] event
TASKS_TRIGGER[12]	0x030	Trigger 12 for triggering the corresponding TRIGGERED[12] event
TASKS_TRIGGER[13]	0x034	Trigger 13 for triggering the corresponding TRIGGERED[13] event
TASKS_TRIGGER[14]	0x038	Trigger 14 for triggering the corresponding TRIGGERED[14] event
TASKS_TRIGGER[15]	0x03C	Trigger 15 for triggering the corresponding TRIGGERED[15] event
EVENTS_TRIGGERED[0]	0x100	Event number 0 generated by triggering the corresponding TRIGGER[0] task
EVENTS_TRIGGERED[1]	0x104	Event number 1 generated by triggering the corresponding TRIGGER[1] task
EVENTS_TRIGGERED[2]	0x108	Event number 2 generated by triggering the corresponding TRIGGER[2] task
EVENTS_TRIGGERED[3]	0x10C	Event number 3 generated by triggering the corresponding TRIGGER[3] task
EVENTS_TRIGGERED[4]	0x110	Event number 4 generated by triggering the corresponding TRIGGER[4] task
EVENTS_TRIGGERED[5]	0x114	Event number 5 generated by triggering the corresponding TRIGGER[5] task
EVENTS_TRIGGERED[6]	0x118	Event number 6 generated by triggering the corresponding TRIGGER[6] task
EVENTS_TRIGGERED[7]	0x11C	Event number 7 generated by triggering the corresponding TRIGGER[7] task
EVENTS_TRIGGERED[8]	0x120	Event number 8 generated by triggering the corresponding TRIGGER[8] task
EVENTS_TRIGGERED[9]	0x124	Event number 9 generated by triggering the corresponding TRIGGER[9] task
EVENTS_TRIGGERED[10]	0x128	Event number 10 generated by triggering the corresponding TRIGGER[10] task
EVENTS_TRIGGERED[11]	0x12C	Event number 11 generated by triggering the corresponding TRIGGER[11] task
EVENTS_TRIGGERED[12]	0x130	Event number 12 generated by triggering the corresponding TRIGGER[12] task
EVENTS_TRIGGERED[13]	0x134	Event number 13 generated by triggering the corresponding TRIGGER[13] task
EVENTS_TRIGGERED[14]	0x138	Event number 14 generated by triggering the corresponding TRIGGER[14] task
EVENTS_TRIGGERED[15]	0x13C	Event number 15 generated by triggering the corresponding TRIGGER[15] task
INTEN	0x300	Enable or disable interrupt
INTENSET	0x304	Enable interrupt
INTENCLR	0x308	Disable interrupt

Table 40: Register overview

6.7.1.1 TASKS_TRIGGER[n] (n=0..15)

Address offset: 0x000 + (n × 0x4)

Trigger n for triggering the corresponding TRIGGERED[n] event

Bit number	31	30	29	28	27	26	25	24	23	22	21	20	19	18	17	16	15	14	13	12	11	10	9	8	7	6	5	4	3	2	1	0
ID																																A
Reset 0x00000000	0 0																															
ID	Acce Field	Value ID	Value	Description																												
A	W TASKS_TRIGGER			Trigger n for triggering the corresponding TRIGGERED[n] event																												
		Trigger	1	Trigger task																												

6.7.1.2 EVENTS_TRIGGERED[n] (n=0..15)

Address offset: 0x100 + (n × 0x4)

Event number n generated by triggering the corresponding TRIGGER[n] task

Bit number	31	30	29	28	27	26	25	24	23	22	21	20	19	18	17	16	15	14	13	12	11	10	9	8	7	6	5	4	3	2	1	0
ID																																A
Reset 0x00000000	0 0																															
ID	Acce Field	Value ID	Value	Description																												
A	RW EVENTS_TRIGGERED			Event number n generated by triggering the corresponding TRIGGER[n] task																												
		NotGenerated	0	Event not generated																												
		Generated	1	Event generated																												

6.7.1.3 INTEN

Address offset: 0x300

Enable or disable interrupt

Bit number	31	30	29	28	27	26	25	24	23	22	21	20	19	18	17	16	15	14	13	12	11	10	9	8	7	6	5	4	3	2	1	0
ID																																P O N M L K J I H G F E D C B A
Reset 0x00000000	0 0																															
ID	Acce Field	Value ID	Value	Description																												
A-P	RW TRIGGERED[i] (i=0..15)			Enable or disable interrupt for event TRIGGERED[i]																												
		Disabled	0	Disable																												
		Enabled	1	Enable																												

6.7.1.4 INTENSET

Address offset: 0x304

Enable interrupt

Bit number	31	30	29	28	27	26	25	24	23	22	21	20	19	18	17	16	15	14	13	12	11	10	9	8	7	6	5	4	3	2	1	0
ID																																P O N M L K J I H G F E D C B A
Reset 0x00000000	0 0																															
ID	Acce Field	Value ID	Value	Description																												
A-P	RW TRIGGERED[i] (i=0..15)			Write '1' to enable interrupt for event TRIGGERED[i]																												
		Set	1	Enable																												
		Disabled	0	Read: Disabled																												
		Enabled	1	Read: Enabled																												

6.7.1.5 INTENCLR

Address offset: 0x308

Disable interrupt

Bit number	31	30	29	28	27	26	25	24	23	22	21	20	19	18	17	16	15	14	13	12	11	10	9	8	7	6	5	4	3	2	1	0
ID																	P	O	N	M	L	K	J	I	H	G	F	E	D	C	B	A
Reset 0x00000000	0																															
ID	Acce	Field	Value ID	Value	Description																											
A-P	RW	TRIGGERED[i] (i=0..15)			Write '1' to disable interrupt for event TRIGGERED[i]																											
			Clear	1	Disable																											
			Disabled	0	Read: Disabled																											
			Enabled	1	Read: Enabled																											

6.7.2 Electrical specification

6.7.2.1 EGU Electrical Specification

Symbol	Description	Min.	Typ.	Max.	Units
$t_{\text{EGU,EVT}}$	Latency between setting an EGU event flag and the system setting an interrupt		1		cycles

6.8 GPIO — General purpose input/output

The general purpose input/output pins (GPIOs) are grouped as one or more ports, with each port having up to 32 GPIOs.

The number of ports and GPIOs per port varies with product variant and package. Refer to [Registers](#) on page 144 and [Pin assignments](#) on page 560 for more information about the number of GPIOs that are supported.

GPIO has the following user-configurable features:

- Up to 32 GPIO pins per GPIO port
- Output drive strength
- Internal pull-up and pull-down resistors
- Wake-up from high or low level triggers on all pins
- Trigger interrupt on state changes on any pin
- All pins can be used by the PPI task/event system
- One or more GPIO outputs can be controlled through the PPI and GPIOTE channels
- Any pin can be mapped to a peripheral for layout flexibility
- GPIO state changes captured on the SENSE signal can be stored by the LATCH register

The GPIO port peripheral implements up to 32 pins, PIN_0 through PIN_{31} . Each of these pins can be individually configured in the $\text{PIN_CNF}[n]$ registers ($n=0..31$).

The following parameters can be configured through these registers:

- Direction
- Drive strength
- Enabling of pull-up and pull-down resistors
- Pin sensing
- Input buffer disconnect

- Analog input (for selected pins)

The PIN_CNF registers are retained registers. See [POWER — Power supply](#) on page 61 for more information about retained registers.

6.8.1 Pin configuration

Pins can be individually configured through the SENSE field in the PIN_CNF[n] register to detect either a high or low level input.

When the correct level is detected on a configured pin, the sense mechanism will set the DETECT signal high. Each pin has a separate DETECT signal. Default behavior, defined by the DETECTMODE register, combines all DETECT signals from the pins in the GPIO port into one common DETECT signal and routes it through the system to be utilized by other peripherals. This mechanism is functional in both System ON and System OFF mode. See [GPIO port and the GPIO pin details](#) on page 142.

The following figure illustrates the GPIO port containing 32 individual pins, where PIN0 is shown in more detail for reference. All signals on the left side of the illustration are used by other peripherals in the system and therefore not directly available to the CPU.

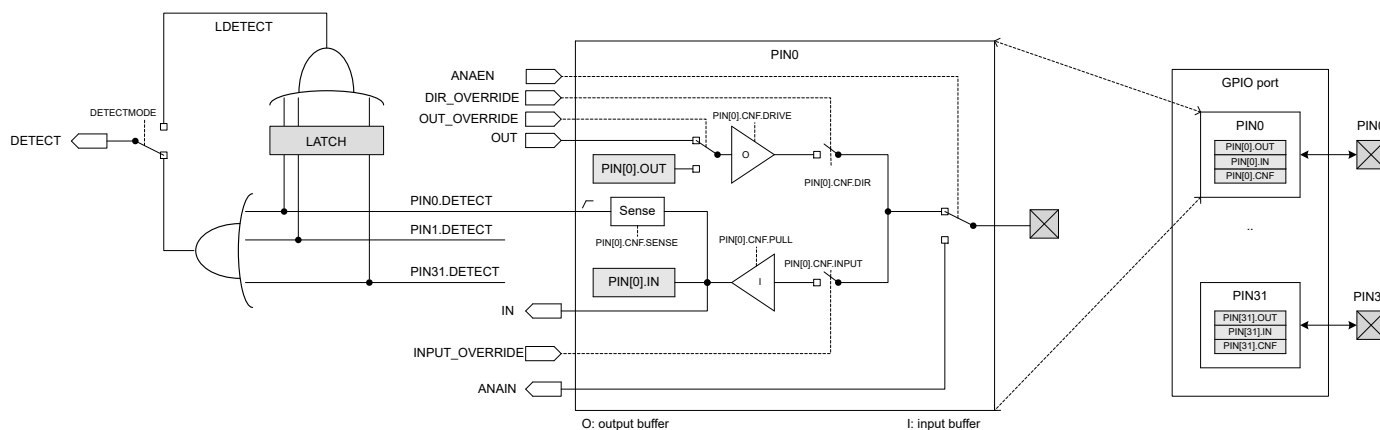


Figure 44: GPIO port and the GPIO pin details

Pins should be in a level that cannot trigger the sense mechanism before being enabled. If the SENSE condition configured in the PIN_CNF registers is met when the sense mechanism is enabled, the DETECT signal will immediately go high. A PORT event is triggered if the DETECT signal was low before enabling the sense mechanism. See [GPIO — GPIO tasks and events](#) on page 149.

See the following peripherals for more information about how the DETECT signal is used:

- [POWER — Power supply](#) on page 61 - uses the DETECT signal to exit from System OFF mode.
- [GPIO — GPIO tasks and events](#) on page 149 - uses the DETECT signal to generate the PORT event.

When a pin's PINx.DETECT signal goes high, a flag is set in the LATCH register. For example, when the PIN0.DETECT signal goes high, bit 0 in the LATCH register is set to 1. If the CPU performs a clear operation on a bit in the LATCH register, when the associated PINx.DETECT signal is high, the bit in the LATCH register will not be cleared. The LATCH register will only be cleared if the CPU explicitly clears it by writing a 1 to the bit that shall be cleared, i.e. the LATCH register will not be affected by a PINx.DETECT signal being set low.

The LDETECT signal will be set high when one or more bits in the LATCH register are 1. The LDETECT signal will be set low when all bits in the LATCH register are successfully cleared to 0.

If one or more bits in the LATCH register are 1 after the CPU has performed a clear operation on the LATCH register, a rising edge will be generated on the LDETECT signal. This is illustrated in [DETECT signal behavior](#) on page 143.

Note: The CPU can read the LATCH register at any time to check if a SENSE condition has been met on any of the GPIO pins. This is still valid if that condition is no longer met at the time the CPU queries the LATCH register. This mechanism will work even if the LDETECT signal is not used as the DETECT signal.

The LDETECT signal is by default not connected to the GPIO port's DETECT signal, but via the DETECTMODE register. It is possible to change from default behavior to the DETECT signal that is derived directly from the LDETECT signal. See [GPIO port and the GPIO pin details](#) on page 142. The following figure illustrates the DETECT signal behavior for these two alternatives.

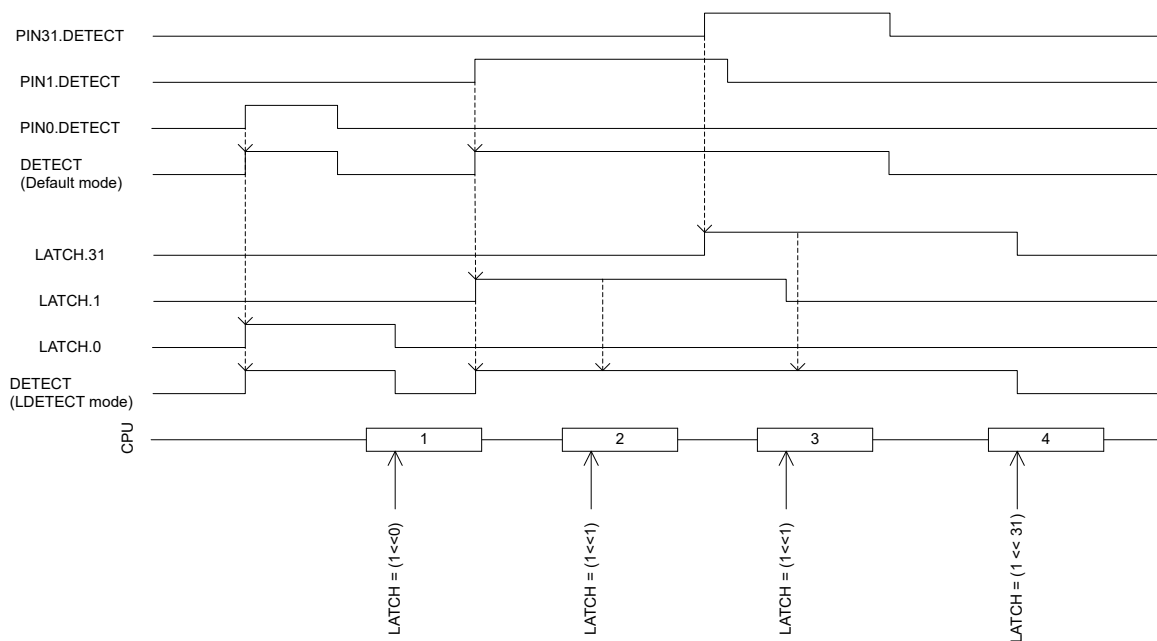


Figure 45: DETECT signal behavior

A GPIO pin input buffer can be disconnected from the pin to enable power savings when the pin is not used as an input, see [GPIO port and the GPIO pin details](#) on page 142. Input buffers must be connected to get a valid input value in the IN register, and for the sense mechanism to get access to the pin.

Other peripherals in the system can connect to GPIO pins and override their output value and configuration, or read their analog or digital input value. See [GPIO port and the GPIO pin details](#) on page 142.

Selected pins also support analog input signals, see ANAIN in [GPIO port and the GPIO pin details](#) on page 142. The assignment of the analog pins can be found in [Pin assignments](#) on page 560.

Note: When a pin is configured as digital input, increased current consumption occurs when the input voltage is between V_{IL} and V_{IH} . It is good practice to ensure that the external circuitry does not drive that pin to levels between V_{IL} and V_{IH} for a long period of time.

6.8.2 Registers

Base address	Peripheral	Instance	Description	Configuration
0x50000000	GPIO	GPIO	General purpose input and output	Deprecated
0x50000000	GPIO	P0	General purpose input and output, port 0	P0.00 to P0.31 implemented
0x50000300	GPIO	P1	General purpose input and output, port 1	P1.00 to P1.09 implemented

Table 41: Instances

Register	Offset	Description
OUT	0x504	Write GPIO port
OUTSET	0x508	Set individual bits in GPIO port
OUTCLR	0x50C	Clear individual bits in GPIO port
IN	0x510	Read GPIO port
DIR	0x514	Direction of GPIO pins
DIRSET	0x518	DIR set register
DIRCLR	0x51C	DIR clear register
LATCH	0x520	Latch register indicating what GPIO pins that have met the criteria set in the PIN_CNF[n].SENSE registers
DETECTMODE	0x524	Select between default DETECT signal behavior and LDETECT mode
PIN_CNF[0]	0x700	Configuration of GPIO pins
PIN_CNF[1]	0x704	Configuration of GPIO pins
PIN_CNF[2]	0x708	Configuration of GPIO pins
PIN_CNF[3]	0x70C	Configuration of GPIO pins
PIN_CNF[4]	0x710	Configuration of GPIO pins
PIN_CNF[5]	0x714	Configuration of GPIO pins
PIN_CNF[6]	0x718	Configuration of GPIO pins
PIN_CNF[7]	0x71C	Configuration of GPIO pins
PIN_CNF[8]	0x720	Configuration of GPIO pins
PIN_CNF[9]	0x724	Configuration of GPIO pins
PIN_CNF[10]	0x728	Configuration of GPIO pins
PIN_CNF[11]	0x72C	Configuration of GPIO pins
PIN_CNF[12]	0x730	Configuration of GPIO pins
PIN_CNF[13]	0x734	Configuration of GPIO pins
PIN_CNF[14]	0x738	Configuration of GPIO pins
PIN_CNF[15]	0x73C	Configuration of GPIO pins
PIN_CNF[16]	0x740	Configuration of GPIO pins
PIN_CNF[17]	0x744	Configuration of GPIO pins
PIN_CNF[18]	0x748	Configuration of GPIO pins
PIN_CNF[19]	0x74C	Configuration of GPIO pins
PIN_CNF[20]	0x750	Configuration of GPIO pins
PIN_CNF[21]	0x754	Configuration of GPIO pins
PIN_CNF[22]	0x758	Configuration of GPIO pins
PIN_CNF[23]	0x75C	Configuration of GPIO pins
PIN_CNF[24]	0x760	Configuration of GPIO pins
PIN_CNF[25]	0x764	Configuration of GPIO pins
PIN_CNF[26]	0x768	Configuration of GPIO pins
PIN_CNF[27]	0x76C	Configuration of GPIO pins
PIN_CNF[28]	0x770	Configuration of GPIO pins
PIN_CNF[29]	0x774	Configuration of GPIO pins
PIN_CNF[30]	0x778	Configuration of GPIO pins

Register	Offset	Description
PIN_CNF[31]	0x77C	Configuration of GPIO pins

Table 42: Register overview

6.8.2.1 OUT

Address offset: 0x504

Write GPIO port

Bit number	31	30	29	28	27	26	25	24	23	22	21	20	19	18	17	16	15	14	13	12	11	10	9	8	7	6	5	4	3	2	1	0
ID	f	e	d	c	b	a	Z	Y	X	W	V	U	T	S	R	Q	P	O	N	M	L	K	J	I	H	G	F	E	D	C	B	A
Reset 0x00000000	0	0	0	0	0	0	0	0	0	0	0	0	0	0	0	0	0	0	0	0	0	0	0	0	0	0	0	0	0	0	0	0
ID	Acce Field	Value ID	Value	Description																												
A-f	RW	PIN[i] (i=0..31)		Pin i																												
		Low	0	Pin driver is low																												
		High	1	Pin driver is high																												

6.8.2.2 OUTSET

Address offset: 0x508

Set individual bits in GPIO port

Read: reads value of OUT register.

Bit number	31	30	29	28	27	26	25	24	23	22	21	20	19	18	17	16	15	14	13	12	11	10	9	8	7	6	5	4	3	2	1	0
ID	f	e	d	c	b	a	Z	Y	X	W	V	U	T	S	R	Q	P	O	N	M	L	K	J	I	H	G	F	E	D	C	B	A
Reset 0x00000000	0	0	0	0	0	0	0	0	0	0	0	0	0	0	0	0	0	0	0	0	0	0	0	0	0	0	0	0	0	0	0	0
ID	Acce Field	Value ID	Value	Description																												
A-f	RW	PIN[i] (i=0..31)		Pin i																												
		Low	0	Read: pin driver is low																												
		High	1	Read: pin driver is high																												
		Set	1	Write: a '1' sets the pin high; a '0' has no effect																												

6.8.2.3 OUTCLR

Address offset: 0x50C

Clear individual bits in GPIO port

Read: reads value of OUT register.

Bit number	31	30	29	28	27	26	25	24	23	22	21	20	19	18	17	16	15	14	13	12	11	10	9	8	7	6	5	4	3	2	1	0
ID	f	e	d	c	b	a	Z	Y	X	W	V	U	T	S	R	Q	P	O	N	M	L	K	J	I	H	G	F	E	D	C	B	A
Reset 0x00000000	0	0	0	0	0	0	0	0	0	0	0	0	0	0	0	0	0	0	0	0	0	0	0	0	0	0	0	0	0	0	0	0
ID	Acce Field	Value ID	Value	Description																												
A-f	RW	PIN[i] (i=0..31)		Pin i																												
		Low	0	Read: pin driver is low																												
		High	1	Read: pin driver is high																												
		Clear	1	Write: a '1' sets the pin low; a '0' has no effect																												

6.8.2.4 IN

Address offset: 0x510

Read GPIO port

Bit number	31	30	29	28	27	26	25	24	23	22	21	20	19	18	17	16	15	14	13	12	11	10	9	8	7	6	5	4	3	2	1	0
ID	f	e	d	c	b	a	Z	Y	X	W	V	U	T	S	R	Q	P	O	N	M	L	K	J	I	H	G	F	E	D	C	B	A
Reset 0x00000000	0	0	0	0	0	0	0	0	0	0	0	0	0	0	0	0	0	0	0	0	0	0	0	0	0	0	0	0	0	0	0	0
ID	Acce Field	Value ID	Value	Description																												
A-f	R	PIN[i] (i=0..31)		Pin i																												
		Low	0	Pin input is low																												
		High	1	Pin input is high																												

6.8.2.5 DIR

Address offset: 0x514

Direction of GPIO pins

Bit number	31	30	29	28	27	26	25	24	23	22	21	20	19	18	17	16	15	14	13	12	11	10	9	8	7	6	5	4	3	2	1	0
ID	f	e	d	c	b	a	Z	Y	X	W	V	U	T	S	R	Q	P	O	N	M	L	K	J	I	H	G	F	E	D	C	B	A
Reset 0x00000000	0	0	0	0	0	0	0	0	0	0	0	0	0	0	0	0	0	0	0	0	0	0	0	0	0	0	0	0	0	0	0	0
ID	Acce Field	Value ID	Value	Description																												
A-f	RW	PIN[i] (i=0..31)		Pin i																												
		Input	0	Pin set as input																												
		Output	1	Pin set as output																												

6.8.2.6 DIRSET

Address offset: 0x518

DIR set register

Read: reads value of DIR register.

Bit number	31	30	29	28	27	26	25	24	23	22	21	20	19	18	17	16	15	14	13	12	11	10	9	8	7	6	5	4	3	2	1	0
ID	f	e	d	c	b	a	Z	Y	X	W	V	U	T	S	R	Q	P	O	N	M	L	K	J	I	H	G	F	E	D	C	B	A
Reset 0x00000000	0	0	0	0	0	0	0	0	0	0	0	0	0	0	0	0	0	0	0	0	0	0	0	0	0	0	0	0	0	0	0	0
ID	Acce Field	Value ID	Value	Description																												
A-f	RW	PIN[i] (i=0..31)		Set as output pin i																												
		Input	0	Read: pin set as input																												
		Output	1	Read: pin set as output																												
		Set	1	Write: a '1' sets pin to output; a '0' has no effect																												

6.8.2.7 DIRCLR

Address offset: 0x51C

DIR clear register

Read: reads value of DIR register.

Bit number	31	30	29	28	27	26	25	24	23	22	21	20	19	18	17	16	15	14	13	12	11	10	9	8	7	6	5	4	3	2	1	0
ID	f e d c b a Z Y X W V U T S R Q P O N M L K J I H G F E D C B A																															
Reset 0x00000000	0 0																															
ID	Acce Field	Value ID	Value	Description																												
A-f	RW	PIN[i] (i=0..31)		Set as input pin i																												
		Input	0	Read: pin set as input																												
		Output	1	Read: pin set as output																												
		Clear	1	Write: a '1' sets pin to input; a '0' has no effect																												

6.8.2.8 LATCH

Address offset: 0x520

Latch register indicating what GPIO pins that have met the criteria set in the PIN_CNF[n].SENSE registers

Bit number	31	30	29	28	27	26	25	24	23	22	21	20	19	18	17	16	15	14	13	12	11	10	9	8	7	6	5	4	3	2	1	0
ID	f e d c b a Z Y X W V U T S R Q P O N M L K J I H G F E D C B A																															
Reset 0x00000000	0 0																															
ID	Acce Field	Value ID	Value	Description																												
A-f	RW	PIN[i] (i=0..31)		Status on whether PINi has met criteria set in PIN_CNFi.SENSE register. Write '1' to clear.																												
		NotLatched	0	Criteria has not been met																												
		Latched	1	Criteria has been met																												

6.8.2.9 DETECTMODE

Address offset: 0x524

Select between default DETECT signal behavior and LDETECT mode

Bit number	31	30	29	28	27	26	25	24	23	22	21	20	19	18	17	16	15	14	13	12	11	10	9	8	7	6	5	4	3	2	1	0
ID																																A
Reset 0x00000000	0 0																															
ID	Acce Field	Value ID	Value	Description																												
A	RW	DETECTMODE		Select between default DETECT signal behavior and LDETECT mode																												
		Default	0	DETECT directly connected to PIN DETECT signals																												
		LDETECT	1	Use the latched LDETECT behavior																												

6.8.2.10 PIN_CNF[n] (n=0..31)

Address offset: 0x700 + (n × 0x4)

Configuration of GPIO pins

Bit number	31	30	29	28	27	26	25	24	23	22	21	20	19	18	17	16	15	14	13	12	11	10	9	8	7	6	5	4	3	2	1	0			
ID																	E	E							D	D	D					C	C	B	A
Reset 0x00000002	0 1 0																																		
ID	Acce Field	Value ID	Value	Description																															
A	RW	DIR		Pin direction. Same physical register as DIR register																															
		Input	0	Configure pin as an input pin																															
		Output	1	Configure pin as an output pin																															
B	RW	INPUT		Connect or disconnect input buffer																															
		Connect	0	Connect input buffer																															
		Disconnect	1	Disconnect input buffer																															

Bit number	31 30 29 28 27 26 25 24 23 22 21 20 19 18 17 16 15 14 13 12 11 10 9 8 7 6 5 4 3 2 1 0																																									
ID																E	E				D	D	D																C	C	B	A
Reset 0x00000002	0 1 0																																									
ID	Acce Field	Value ID	Value	Description																																						
C	RW	PULL	Pull configuration																																							
			Disabled	0	No pull																																					
			Pulldown	1	Pull down on pin																																					
		Pullup	3	Pull up on pin																																						
D	RW	DRIVE	Drive configuration																																							
			S0S1	0	Standard '0', standard '1'																																					
			H0S1	1	High drive '0', standard '1'																																					
			S0H1	2	Standard '0', high drive '1'																																					
			H0H1	3	High drive '0', high 'drive '1''																																					
			D0S1	4	Disconnect '0' standard '1' (normally used for wired-or connections)																																					
			D0H1	5	Disconnect '0', high drive '1' (normally used for wired-or connections)																																					
			S0D1	6	Standard '0', disconnect '1' (normally used for wired-and connections)																																					
		H0D1	7	High drive '0', disconnect '1' (normally used for wired-and connections)																																						
E	RW	SENSE	Pin sensing mechanism																																							
			Disabled	0	Disabled																																					
			High	2	Sense for high level																																					
		Low	3	Sense for low level																																						

6.8.3 Electrical specification

6.8.3.1 GPIO Electrical Specification

Symbol	Description	Min.	Typ.	Max.	Units
V_{IH}	Input high voltage	0.7 x VDD		VDD	V
V_{IL}	Input low voltage	VSS		0.3 x VDD	V
$V_{OH,SD}$	Output high voltage, standard drive, 0.5 mA, VDD \geq 1.7	VDD - 0.4		VDD	V
$V_{OH,HDH}$	Output high voltage, high drive, 5 mA, VDD \geq 2.7 V	VDD - 0.4		VDD	V
$V_{OH,HDL}$	Output high voltage, high drive, 3 mA, VDD \geq 1.7 V	VDD - 0.4		VDD	V
$V_{OL,SD}$	Output low voltage, standard drive, 0.5 mA, VDD \geq 1.7	VSS		VSS + 0.4	V
$V_{OL,HDH}$	Output low voltage, high drive, 5 mA, VDD \geq 2.7 V	VSS		VSS + 0.4	V
$V_{OL,HDL}$	Output low voltage, high drive, 3 mA, VDD \geq 1.7 V	VSS		VSS + 0.4	V
$I_{OL,SD}$	Current at VSS+0.4 V, output set low, standard drive, VDD \geq 1.7	1	2	4	mA
$I_{OL,HDH}$	Current at VSS+0.4 V, output set low, high drive, VDD \geq 2.7 V	6	10	15	mA
$I_{OL,HDL}$	Current at VSS+0.4 V, output set low, high drive, VDD \geq 1.7 V	3			mA
$I_{OH,SD}$	Current at VDD-0.4 V, output set high, standard drive, VDD \geq 1.7	1	2	4	mA
$I_{OH,HDH}$	Current at VDD-0.4 V, output set high, high drive, VDD \geq 2.7 V	6	9	14	mA
$I_{OH,HDL}$	Current at VDD-0.4 V, output set high, high drive, VDD \geq 1.7 V	3			mA

Symbol	Description	Min.	Typ.	Max.	Units
$t_{RF,15pF}$	Rise/fall time, standard drive mode, 10-90%, 15 pF load ¹⁴		9		ns
$t_{RF,25pF}$	Rise/fall time, standard drive mode, 10-90%, 25 pF load ¹⁴		13		ns
$t_{RF,50pF}$	Rise/fall time, standard drive mode, 10-90%, 50 pF load ¹⁴		25		ns
$t_{HRF,15pF}$	Rise/Fall time, high drive mode, 10-90%, 15 pF load ¹⁴		4		ns
$t_{HRF,25pF}$	Rise/Fall time, high drive mode, 10-90%, 25 pF load ¹⁴		5		ns
$t_{HRF,50pF}$	Rise/Fall time, high drive mode, 10-90%, 50 pF load ¹⁴		8		ns
R_{PU}	Pull-up resistance	11	13	16	k Ω
R_{PD}	Pull-down resistance	11	13	16	k Ω
C_{PAD}	Pad capacitance		3		pF

6.8.3.2 NFC Pads Electrical Specification

Symbol	Description	Min.	Typ.	Max.	Units
C_{PAD_NFC}	Pad capacitance on NFC pads		4		pF
I_{NFC_LEAK}	Leakage current between NFC pads when driven to different states		1	10	μ A
$I_{NFC_LEAK_EXT}$	Leakage current between NFC pads when driven to different states, extended temperature range		1	15	μ A

6.9 GPIOTE — GPIO tasks and events

The GPIO tasks and events (GPIOTE) module provides functionality for accessing GPIO pins using tasks and events. Each GPIOTE channel can be assigned to one pin.

A GPIOTE block enables GPIOs to generate events on pin state change which can be used to carry out tasks through the PPI system. A GPIO can also be driven to change state on system events using the PPI system. Tasks and events are briefly introduced in [Peripheral interface](#) on page 98, and GPIO is described in more detail in [GPIO — General purpose input/output](#) on page 141.

Low power detection of pin state changes is possible when in System ON or System OFF.

Instance	Number of GPIOTE channels
GPIOTE	8

Table 43: GPIOTE properties

Up to three tasks can be used in each GPIOTE channel for performing write operations to a pin. Two tasks are fixed (SET and CLR), and one (OUT) is configurable to perform following operations:

- Set
- Clear
- Toggle

An event can be generated in each GPIOTE channel from one of the following input conditions:

- Rising edge
- Falling edge
- Any change

¹⁴ Rise and fall times based on simulations

6.9.1 Pin events and tasks

The GPIOTE module has a number of tasks and events that can be configured to operate on individual GPIO pins.

The tasks SET[n], CLR[n], and OUT[n] can write to individual pins, and events IN[n] can be generated from input changes of individual pins.

The SET task will set the pin selected in GPIOTE.CONFIG[n].PSEL to high. The CLR task will set the pin low.

The effect of the OUT task on the pin is configurable in CONFIG[n].POLARITY. It can set the pin high, set it low, or toggle it.

Tasks and events are configured using the CONFIG[n] registers. One CONFIG[n] register is associated with a set of SET[n], CLR[n], and OUT[n] tasks and IN[n] events.

As long as a SET[n], CLR[n], and OUT[n] task or an IN[n] event is configured to control pin **n**, the pin's output value will only be updated by the GPIOTE module. The pin's output value, as specified in the GPIO, will be ignored as long as the pin is controlled by GPIOTE. Attempting to write to the pin as a normal GPIO pin will have no effect. When the GPIOTE is disconnected from a pin, the associated pin gets the output and configuration values specified in the GPIO module, see MODE field in CONFIG[n] register.

When conflicting tasks are triggered simultaneously (i.e. during the same clock cycle) in one channel, the priority of the tasks is as described in the following table.

Priority	Task
1	OUT
2	CLR
3	SET

Table 44: Task priorities

When setting the CONFIG[n] registers, MODE=Disabled does not have the same effect as MODE=Task and POLARITY=None. In the latter case, a CLR or SET task occurring at the exact same time as OUT will end up with no change on the pin, based on the priorities described in the table above.

When a GPIOTE channel is configured to operate on a pin as a task, the initial value of that pin is configured in the OUTINIT field of CONFIG[n].

6.9.2 Port event

PORT is an event that can be generated from multiple input pins using the GPIO DETECT signal.

The event will be generated on the rising edge of the DETECT signal. See [GPIO — General purpose input/output](#) on page 141 for more information about the DETECT signal.

The GPIO DETECT signal will not wake the system up again if the system is put into System ON IDLE while the DETECT signal is high. Clear all DETECT sources before entering sleep. If the LATCH register is used as a source, a new rising edge will be generated on DETECT if any bit in LATCH is still high after clearing all or part of the register. This could occur if one of the PINx.DETECT signals is still high, for example. See [Pin configuration](#) on page 142 for more information.

Setting the system to System OFF while DETECT is high will cause a wakeup from System OFF reset.

This feature is always enabled even if the peripheral itself appears to be IDLE, meaning no clocks or other power intensive infrastructure have to be requested to keep this feature enabled. This feature can therefore be used to wake up the CPU from a WFI or WFE type sleep in System ON when all peripherals and the CPU are idle, meaning the lowest power consumption in System ON mode.

In order to prevent spurious interrupts from the PORT event while configuring the sources, the following must be performed:

1. Disable interrupts on the PORT event (through INTENCLR.PORT).
2. Configure the sources (PIN_CNF[n].SENSE).
3. Clear any potential event that could have occurred during configuration (write '0' to EVENTS_PORT).
4. Enable interrupts (through INTENSET.PORT).

6.9.3 Tasks and events pin configuration

Each GPIOTE channel is associated with one physical GPIO pin through the CONFIG.PSEL field.

When Event mode is selected in CONFIG.MODE, the pin specified by CONFIG.PSEL will be configured as an input, overriding the DIR setting in GPIO. Similarly, when Task mode is selected in CONFIG.MODE, the pin specified by CONFIG.PSEL will be configured as an output overriding the DIR setting and OUT value in GPIO. When Disabled is selected in CONFIG.MODE, the pin specified by CONFIG.PSEL will use its configuration from the PIN[n].CNF registers in GPIO.

Note: A pin can only be assigned to one GPIOTE channel at a time. Failing to do so may result in unpredictable behavior.

6.9.4 Registers

Base address	Peripheral	Instance	Description	Configuration
0x40006000	GPIOTE	GPIOTE	GPIO tasks and events	

Table 45: Instances

Register	Offset	Description
TASKS_OUT[0]	0x000	Task for writing to pin specified in CONFIG[0].PSEL. Action on pin is configured in CONFIG[0].POLARITY.
TASKS_OUT[1]	0x004	Task for writing to pin specified in CONFIG[1].PSEL. Action on pin is configured in CONFIG[1].POLARITY.
TASKS_OUT[2]	0x008	Task for writing to pin specified in CONFIG[2].PSEL. Action on pin is configured in CONFIG[2].POLARITY.
TASKS_OUT[3]	0x00C	Task for writing to pin specified in CONFIG[3].PSEL. Action on pin is configured in CONFIG[3].POLARITY.
TASKS_OUT[4]	0x010	Task for writing to pin specified in CONFIG[4].PSEL. Action on pin is configured in CONFIG[4].POLARITY.
TASKS_OUT[5]	0x014	Task for writing to pin specified in CONFIG[5].PSEL. Action on pin is configured in CONFIG[5].POLARITY.
TASKS_OUT[6]	0x018	Task for writing to pin specified in CONFIG[6].PSEL. Action on pin is configured in CONFIG[6].POLARITY.
TASKS_OUT[7]	0x01C	Task for writing to pin specified in CONFIG[7].PSEL. Action on pin is configured in CONFIG[7].POLARITY.
TASKS_SET[0]	0x030	Task for writing to pin specified in CONFIG[0].PSEL. Action on pin is to set it high.
TASKS_SET[1]	0x034	Task for writing to pin specified in CONFIG[1].PSEL. Action on pin is to set it high.
TASKS_SET[2]	0x038	Task for writing to pin specified in CONFIG[2].PSEL. Action on pin is to set it high.
TASKS_SET[3]	0x03C	Task for writing to pin specified in CONFIG[3].PSEL. Action on pin is to set it high.
TASKS_SET[4]	0x040	Task for writing to pin specified in CONFIG[4].PSEL. Action on pin is to set it high.
TASKS_SET[5]	0x044	Task for writing to pin specified in CONFIG[5].PSEL. Action on pin is to set it high.
TASKS_SET[6]	0x048	Task for writing to pin specified in CONFIG[6].PSEL. Action on pin is to set it high.
TASKS_SET[7]	0x04C	Task for writing to pin specified in CONFIG[7].PSEL. Action on pin is to set it high.
TASKS_CLR[0]	0x060	Task for writing to pin specified in CONFIG[0].PSEL. Action on pin is to set it low.
TASKS_CLR[1]	0x064	Task for writing to pin specified in CONFIG[1].PSEL. Action on pin is to set it low.
TASKS_CLR[2]	0x068	Task for writing to pin specified in CONFIG[2].PSEL. Action on pin is to set it low.

Register	Offset	Description
TASKS_CLR[3]	0x06C	Task for writing to pin specified in CONFIG[3].PSEL. Action on pin is to set it low.
TASKS_CLR[4]	0x070	Task for writing to pin specified in CONFIG[4].PSEL. Action on pin is to set it low.
TASKS_CLR[5]	0x074	Task for writing to pin specified in CONFIG[5].PSEL. Action on pin is to set it low.
TASKS_CLR[6]	0x078	Task for writing to pin specified in CONFIG[6].PSEL. Action on pin is to set it low.
TASKS_CLR[7]	0x07C	Task for writing to pin specified in CONFIG[7].PSEL. Action on pin is to set it low.
EVENTS_IN[0]	0x100	Event generated from pin specified in CONFIG[0].PSEL
EVENTS_IN[1]	0x104	Event generated from pin specified in CONFIG[1].PSEL
EVENTS_IN[2]	0x108	Event generated from pin specified in CONFIG[2].PSEL
EVENTS_IN[3]	0x10C	Event generated from pin specified in CONFIG[3].PSEL
EVENTS_IN[4]	0x110	Event generated from pin specified in CONFIG[4].PSEL
EVENTS_IN[5]	0x114	Event generated from pin specified in CONFIG[5].PSEL
EVENTS_IN[6]	0x118	Event generated from pin specified in CONFIG[6].PSEL
EVENTS_IN[7]	0x11C	Event generated from pin specified in CONFIG[7].PSEL
EVENTS_PORT	0x17C	Event generated from multiple input GPIO pins with SENSE mechanism enabled
INTENSET	0x304	Enable interrupt
INTENCLR	0x308	Disable interrupt
CONFIG[0]	0x510	Configuration for OUT[n], SET[n], and CLR[n] tasks and IN[n] event
CONFIG[1]	0x514	Configuration for OUT[n], SET[n], and CLR[n] tasks and IN[n] event
CONFIG[2]	0x518	Configuration for OUT[n], SET[n], and CLR[n] tasks and IN[n] event
CONFIG[3]	0x51C	Configuration for OUT[n], SET[n], and CLR[n] tasks and IN[n] event
CONFIG[4]	0x520	Configuration for OUT[n], SET[n], and CLR[n] tasks and IN[n] event
CONFIG[5]	0x524	Configuration for OUT[n], SET[n], and CLR[n] tasks and IN[n] event
CONFIG[6]	0x528	Configuration for OUT[n], SET[n], and CLR[n] tasks and IN[n] event
CONFIG[7]	0x52C	Configuration for OUT[n], SET[n], and CLR[n] tasks and IN[n] event

Table 46: Register overview

6.9.4.1 TASKS_OUT[n] (n=0..7)

Address offset: $0x000 + (n \times 0x4)$

Task for writing to pin specified in CONFIG[n].PSEL. Action on pin is configured in CONFIG[n].POLARITY.

Bit number	31 30 29 28 27 26 25 24 23 22 21 20 19 18 17 16 15 14 13 12 11 10 9 8 7 6 5 4 3 2 1 0																															
ID																																A
Reset 0x00000000	0 0																															
ID	Acce Field	Value ID	Value	Description																												
A	W	TASKS_OUT		Task for writing to pin specified in CONFIG[n].PSEL. Action on pin is configured in CONFIG[n].POLARITY.																												
		Trigger	1	Trigger task																												

6.9.4.2 TASKS_SET[n] (n=0..7)

Address offset: $0x030 + (n \times 0x4)$

Task for writing to pin specified in CONFIG[n].PSEL. Action on pin is to set it high.

Bit number	31 30 29 28 27 26 25 24 23 22 21 20 19 18 17 16 15 14 13 12 11 10 9 8 7 6 5 4 3 2 1 0																															
ID																																A
Reset 0x00000000	0 0																															
ID	Acce Field	Value ID	Value	Description																												
A	W	TASKS_SET		Task for writing to pin specified in CONFIG[n].PSEL. Action on pin is to set it high.																												
		Trigger	1	Trigger task																												

6.9.4.3 TASKS_CLR[n] (n=0..7)

Address offset: 0x060 + (n × 0x4)

Task for writing to pin specified in CONFIG[n].PSEL. Action on pin is to set it low.

Bit number	31	30	29	28	27	26	25	24	23	22	21	20	19	18	17	16	15	14	13	12	11	10	9	8	7	6	5	4	3	2	1	0	
ID																																	A
Reset 0x00000000	0 0																																
ID	Acce	Field	Value ID	Value	Description																												
A	W	TASKS_CLR			Task for writing to pin specified in CONFIG[n].PSEL. Action on pin is to set it low.																												
			Trigger	1	Trigger task																												

6.9.4.4 EVENTS_IN[n] (n=0..7)

Address offset: 0x100 + (n × 0x4)

Event generated from pin specified in CONFIG[n].PSEL

Bit number	31	30	29	28	27	26	25	24	23	22	21	20	19	18	17	16	15	14	13	12	11	10	9	8	7	6	5	4	3	2	1	0	
ID																																	A
Reset 0x00000000	0 0																																
ID	Acce	Field	Value ID	Value	Description																												
A	RW	EVENTS_IN			Event generated from pin specified in CONFIG[n].PSEL																												
			NotGenerated	0	Event not generated																												
			Generated	1	Event generated																												

6.9.4.5 EVENTS_PORT

Address offset: 0x17C

Event generated from multiple input GPIO pins with SENSE mechanism enabled

Bit number	31	30	29	28	27	26	25	24	23	22	21	20	19	18	17	16	15	14	13	12	11	10	9	8	7	6	5	4	3	2	1	0	
ID																																	A
Reset 0x00000000	0 0																																
ID	Acce	Field	Value ID	Value	Description																												
A	RW	EVENTS_PORT			Event generated from multiple input GPIO pins with SENSE mechanism enabled																												
			NotGenerated	0	Event not generated																												
			Generated	1	Event generated																												

6.9.4.6 INTENSET

Address offset: 0x304

Enable interrupt

Bit number	31 30 29 28 27 26 25 24 23 22 21 20 19 18 17 16 15 14 13 12 11 10 9 8 7 6 5 4 3 2 1 0																														
ID	I																				H G F E D C B A										
Reset 0x00000000	0 0																														
ID	Acce Field	Value ID	Value	Description																											
A-H	RW IN[i] (i=0..7)			Write '1' to enable interrupt for event IN[i]																											
		Set	1	Enable																											
		Disabled	0	Read: Disabled																											
		Enabled	1	Read: Enabled																											
I	RW PORT			Write '1' to enable interrupt for event PORT																											
		Set	1	Enable																											
		Disabled	0	Read: Disabled																											
		Enabled	1	Read: Enabled																											

6.9.4.7 INTENCLR

Address offset: 0x308

Disable interrupt

Bit number	31 30 29 28 27 26 25 24 23 22 21 20 19 18 17 16 15 14 13 12 11 10 9 8 7 6 5 4 3 2 1 0																														
ID	I																				H G F E D C B A										
Reset 0x00000000	0 0																														
ID	Acce Field	Value ID	Value	Description																											
A-H	RW IN[i] (i=0..7)			Write '1' to disable interrupt for event IN[i]																											
		Clear	1	Disable																											
		Disabled	0	Read: Disabled																											
		Enabled	1	Read: Enabled																											
I	RW PORT			Write '1' to disable interrupt for event PORT																											
		Clear	1	Disable																											
		Disabled	0	Read: Disabled																											
		Enabled	1	Read: Enabled																											

6.9.4.8 CONFIG[n] (n=0..7)

Address offset: 0x510 + (n × 0x4)

Configuration for OUT[n], SET[n], and CLR[n] tasks and IN[n] event

Bit number	31 30 29 28 27 26 25 24 23 22 21 20 19 18 17 16 15 14 13 12 11 10 9 8 7 6 5 4 3 2 1 0																														
ID											E		D D		C B B B B				A A												
Reset 0x00000000	0 0																														
ID	Acce Field	Value ID	Value	Description																											
A	RW MODE			Mode																											
		Disabled	0	Disabled. Pin specified by PSEL will not be acquired by the GPIOTE module.																											
		Event	1	Event mode																											
				The pin specified by PSEL will be configured as an input and the IN[n] event will be generated if operation specified in POLARITY occurs on the pin.																											

Bit number		31 30 29 28 27 26 25 24 23 22 21 20 19 18 17 16 15 14 13 12 11 10 9 8 7 6 5 4 3 2 1 0																															
ID		E D D C B B B B																A A															
Reset 0x00000000		0 0																															
ID	Acce Field	Value ID	Value	Description																													
		Task	3	Task mode																													
				The GPIO specified by PSEL will be configured as an output and triggering the SET[n], CLR[n] or OUT[n] task will perform the operation specified by POLARITY on the pin. When enabled as a task the GPIOTE module will acquire the pin and the pin can no longer be written as a regular output pin from the GPIO module.																													
B	RW PSEL		[0..31]	GPIO number associated with SET[n], CLR[n], and OUT[n] tasks and IN[n] event																													
C	RW PORT		[0..1]	Port number																													
D	RW POLARITY			When In task mode: Operation to be performed on output when OUT[n] task is triggered. When In event mode: Operation on input that shall trigger IN[n] event.																													
		None	0	Task mode: No effect on pin from OUT[n] task. Event mode: no IN[n] event generated on pin activity.																													
		LoToHi	1	Task mode: Set pin from OUT[n] task. Event mode: Generate IN[n] event when rising edge on pin.																													
		HiToLo	2	Task mode: Clear pin from OUT[n] task. Event mode: Generate IN[n] event when falling edge on pin.																													
		Toggle	3	Task mode: Toggle pin from OUT[n]. Event mode: Generate IN[n] when any change on pin.																													
E	RW OUTINIT			When in task mode: Initial value of the output when the GPIOTE channel is configured. When in event mode: No effect.																													
		Low	0	Task mode: Initial value of pin before task triggering is low																													
		High	1	Task mode: Initial value of pin before task triggering is high																													

6.9.5 Electrical specification

6.10 I²S — Inter-IC sound interface

The I²S (Inter-IC Sound) module, supports the original two-channel I²S format, and left or right-aligned formats. It implements EasyDMA for sample transfer directly to and from RAM without CPU intervention.

The I²S peripheral has the following main features:

- Master and Slave mode
- Simultaneous bi-directional (TX and RX) audio streaming
- Original I²S and left- or right-aligned format
- 8, 16 and 24-bit sample width
- Low-jitter Master Clock generator
- Various sample rates

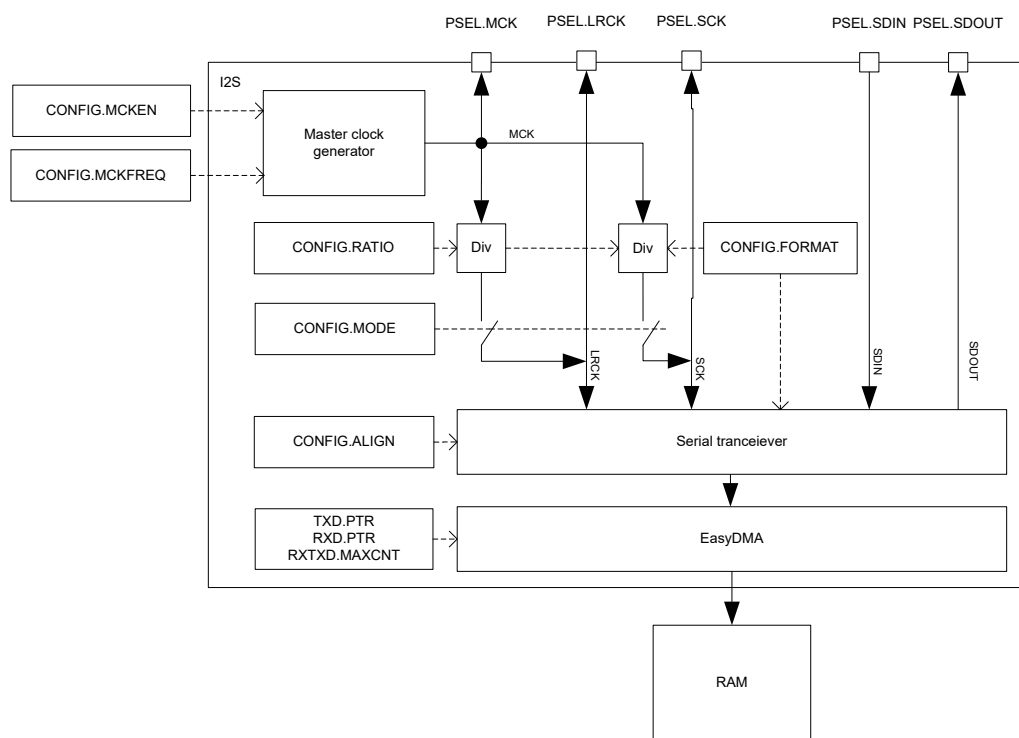


Figure 46: I²S master

6.10.1 Mode

The I²S protocol specification defines two modes of operation, Master and Slave.

The I²S mode decides which of the two sides (Master or Slave) shall provide the clock signals LRCK and SCK, and these signals are always supplied by the Master to the Slave.

6.10.2 Transmitting and receiving

The I²S module supports both transmission (TX) and reception (RX) of serial data. In both cases the serial data is shifted synchronously to the clock signals SCK and LRCK.

TX data is written to the SDOUT pin on the falling edge of SCK, and RX data is read from the SDIN pin on the rising edge of SCK. The most significant bit (MSB) is always transmitted first.

TX and RX are available in both Master and Slave modes and can be enabled/disabled independently in the [CONFIG.TXEN](#) on page 169 and [CONFIG.RXEN](#) on page 169.

Transmission and/or reception is started by triggering the START task. When started and transmission is enabled (in [CONFIG.TXEN](#) on page 169), the TXPTRUPD event will be generated for every [RXTXD.MAXCNT](#) on page 172 number of transmitted data words (containing one or more samples). Similarly, when started and reception is enabled (in [CONFIG.RXEN](#) on page 169), the RXPTRUPD event will be generated for every [RXTXD.MAXCNT](#) on page 172 received data words.

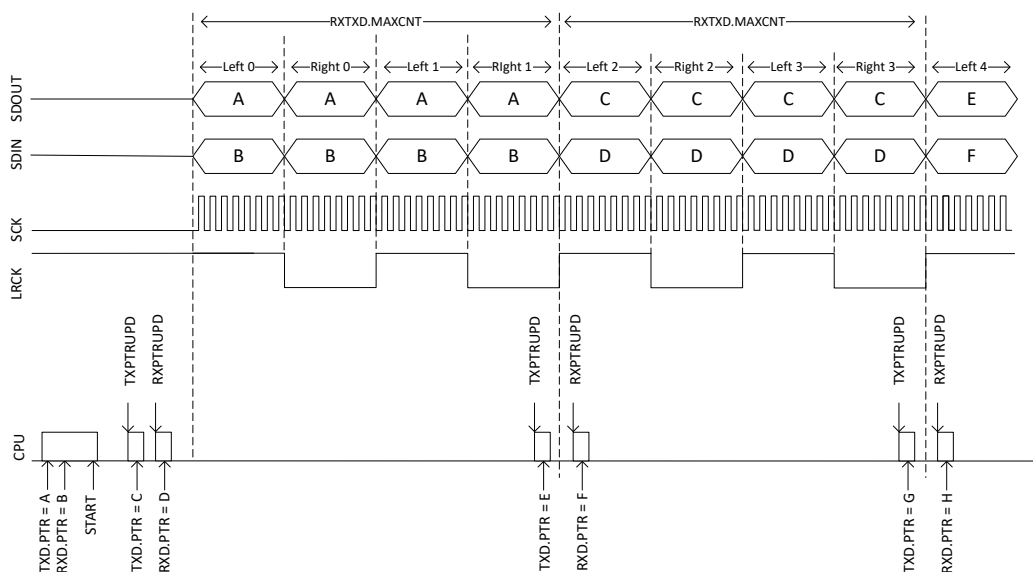


Figure 47: Transmitting and receiving. *CONFIG.FORMAT = Aligned, CONFIG.SWIDTH = 8Bit, CONFIG.CHANNELS = Stereo, RXTXD.MAXCNT = 1.*

6.10.3 Left right clock (LRCK)

The Left Right Clock (LRCK), often referred to as "word clock", "sample clock" or "word select" in I²S context, is the clock defining the frames in the serial bit streams sent and received on SDOUT and SDIN, respectively.

In I2S mode, each frame contains one left and right sample pair, with the left sample being transferred during the low half period of LRCK followed by the right sample being transferred during the high period of LRCK.

In Aligned mode, each frame contains one left and right sample pair, with the left sample being transferred during the high half period of LRCK followed by the right sample being transferred during the low period of LRCK.

Consequently, the LRCK frequency is equivalent to the audio sample rate.

When operating in Master mode, the LRCK is generated from the MCK, and the frequency of LRCK is then given as:

$$\text{LRCK} = \text{MCK} / \text{CONFIG.RATIO}$$

LRCK always toggles around the falling edge of the serial clock SCK.

6.10.4 Serial clock (SCK)

The serial clock (SCK), often referred to as the serial bit clock, pulses once for each data bit being transferred on the serial data lines SDIN and SDOUT.

When operating in Master mode the SCK is generated from the MCK, and the frequency of SCK is then given as:

$$\text{SCK} = 2 * \text{LRCK} * \text{CONFIG.SWIDTH}$$

The falling edge of the SCK falls on the toggling edge of LRCK.

When operating in Slave mode SCK is provided by the external I²S master.

6.10.5 Master clock (MCK)

The master clock (MCK) is the clock from which LRCK and SCK are derived when operating in Master mode.

The MCK is generated by an internal MCK generator. This generator always needs to be enabled when in Master mode, but the generator can also be enabled when in Slave mode. Enabling the generator when in slave mode can be useful in the case where the external Master is not able to generate its own master clock.

The MCK generator is enabled/disabled in the register `CONFIG.MCKEN` on page 169, and the generator is started or stopped by the START or STOP tasks.

In Master mode the LRCK and the SCK frequencies are closely related, as both are derived from MCK and set indirectly through `CONFIG.RATIO` on page 170 and `CONFIG.SWIDTH` on page 171.

When configuring these registers, the user is responsible for fulfilling the following requirements:

1. SCK frequency can never exceed the MCK frequency, which can be formulated as:

$$\text{CONFIG.RATIO} \geq 2 * \text{CONFIG.SWIDTH}$$

2. The MCK/LRCK ratio shall be a multiple of $2 * \text{CONFIG.SWIDTH}$, which can be formulated as:

$$\text{Integer} = (\text{CONFIG.RATIO} / (2 * \text{CONFIG.SWIDTH}))$$

The MCK signal can be routed to an output pin (specified in `PSEL.MCK`) to supply external I²S devices that require the MCK to be supplied from the outside.

When operating in Slave mode, the I²S module does not use the MCK and the MCK generator does not need to be enabled.

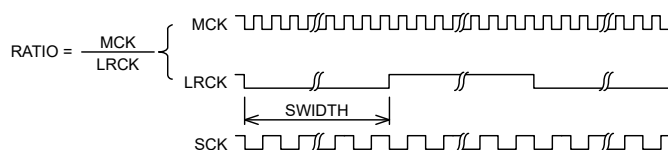


Figure 48: Relation between RATIO, MCK and LRCK.

Desired LRCK [Hz]	CONFIG.SWID	CONFIG.RATIO	CONFIG.MCKF	MCK [Hz]	LRCK [Hz]	LRCK error [%]
16000	16Bit	32X	32MDIV63	507936.5	15873.0	-0.8
16000	16Bit	64X	32MDIV31	1032258.1	16129.0	0.8
16000	16Bit	256X	32MDIV8	4000000.0	15625.0	-2.3
32000	16Bit	32X	32MDIV31	1032258.1	32258.1	0.8
32000	16Bit	64X	32MDIV16	2000000.0	31250.0	-2.3
44100	16Bit	32X	32MDIV23	1391304.3	43478.3	-1.4
44100	16Bit	64X	32MDIV11	2909090.9	45454.5	3.1

Table 47: Configuration examples

6.10.6 Width, alignment and format

The `CONFIG.SWIDTH` register primarily defines the sample width of the data written to memory. In master mode, it then also sets the amount of bits per frame. In Slave mode it controls padding/trimming if required. Left, right, transmitted, and received samples always have the same width. The `CONFIG.FORMAT`

register specifies the position of the data frames with respect to the LRCK edges in both Master and Slave modes.

When using I^2S format, the first bit in a half-frame (containing one left or right sample) gets sampled on the second rising edge of the SCK after a LRCK edge. When using Aligned mode, the first bit in a half-frame gets sampled on the first rising edge of SCK following a LRCK edge.

For data being received on SDIN the sample value can be either right or left-aligned inside a half-frame, as specified in [CONFIG.ALIGN](#) on page 171. [CONFIG.ALIGN](#) on page 171 affects only the decoding of the incoming samples (SDIN), while the outgoing samples (SDOUT) are always left-aligned (or justified).

When using left-alignment, each half-frame starts with the MSB of the sample value (both for data being sent on SDOUT and received on SDIN).

When using right-alignment, each half-frame of data being received on SDIN ends with the LSB of the sample value, while each half-frame of data being sent on SDOUT starts with the MSB of the sample value (same as for left-alignment).

In Master mode, the size of a half-frame (in number of SCK periods) equals the sample width (in number of bits), and in this case the alignment setting does not care as each half-frame in any case will start with the MSB and end with the LSB of the sample value.

In slave mode, however, the sample width does not need to equal the frame size. This means you might have extra or fewer SCK pulses per half-frame than what the sample width specified in [CONFIG.SWIDTH](#) requires.

In the case where we use **left-alignment** and the number of SCK pulses per half-frame is **higher** than the sample width, the following will apply:

- For data received on SDIN, all bits after the LSB of the sample value will be discarded.
- For data sent on SDOUT, all bits after the LSB of the sample value will be 0.

In the case where we use **left-alignment** and the number of SCK pulses per frame is **lower** than the sample width, the following will apply:

- Data sent and received on SDOUT and SDIN will be truncated with the LSBs being removed first.

In the case where we use **right-alignment** and the number of SCK pulses per frame is **higher** than the sample width, the following will apply:

- For data received on SDIN, all bits before the MSB of the sample value will be discarded.
- For data sent on SDOUT, all bits after the LSB of the sample value will be 0 (same behavior as for left-alignment).

In the case where we use **right-alignment** and the number of SCK pulses per frame is **lower** than the sample width, the following will apply:

- Data received on SDIN will be sign-extended to "sample width" number of bits before being written to memory.
- Data sent on SDOUT will be truncated with the LSBs being removed first (same behavior as for left-alignment).

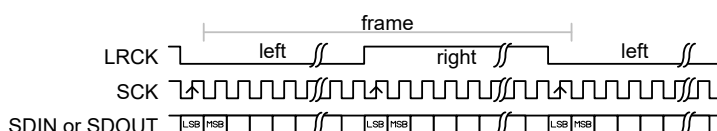


Figure 49: I^2S format. [CONFIG.SWIDTH](#) equalling half-frame size.

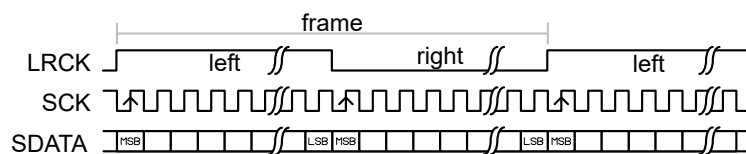


Figure 50: Aligned format. *CONFIG.SWIDTH* equalling half-frame size.

6.10.7 EasyDMA

The I²S module implements EasyDMA for accessing internal Data RAM without CPU intervention.

The source and destination pointers for the TX and RX data are configured in [TXD.PTR](#) on page 172 and [RXD.PTR](#) on page 172. The memory pointed to by these pointers will only be read or written when TX or RX are enabled in [CONFIG.TXEN](#) on page 169 and [CONFIG.RXEN](#) on page 169.

The addresses written to the pointer registers [TXD.PTR](#) on page 172 and [RXD.PTR](#) on page 172 are double-buffered in hardware, and these double buffers are updated for every [RXTXD.MAXCNT](#) on page 172 words (containing one or more samples) read/written from/to memory. The events TXPTRUPD and RXPTRUPD are generated whenever the TXD.PTR and RXD.PTR are transferred to these double buffers.

If [TXD.PTR](#) on page 172 is not pointing to the Data RAM region when transmission is enabled, or [RXD.PTR](#) on page 172 is not pointing to the Data RAM region when reception is enabled, an EasyDMA transfer may result in a HardFault and/or memory corruption. See [Memory](#) on page 19 for more information about the different memory regions.

Due to the nature of I²S, where the number of transmitted samples always equals the number of received samples (at least when both TX and RX are enabled), one common register [RXTXD.MAXCNT](#) on page 172 is used for specifying the sizes of these two memory buffers. The size of the buffers is specified in a number of 32-bit words. Such a 32-bit memory word can either contain four 8-bit samples, two 16-bit samples or one right-aligned 24-bit sample sign extended to 32 bit.

In stereo mode ([CONFIG.CHANNELS](#)=Stereo), the samples are stored as "left and right sample pairs" in memory. Figure [Memory mapping for 8 bit stereo. CONFIG.SWIDTH = 8Bit, CONFIG.CHANNELS = Stereo.](#) on page 161, [Memory mapping for 16 bit stereo. CONFIG.SWIDTH = 16Bit, CONFIG.CHANNELS = Stereo.](#) on page 161 and [Memory mapping for 24 bit stereo. CONFIG.SWIDTH = 24Bit, CONFIG.CHANNELS = Stereo.](#) on page 162 show how the samples are mapped to memory in this mode. The mapping is valid for both RX and TX.

In mono mode ([CONFIG.CHANNELS](#)=Left or Right), RX sample from only one channel in the frame is stored in memory, the other channel sample is ignored. Illustrations [Memory mapping for 8 bit mono. CONFIG.SWIDTH = 8Bit, CONFIG.CHANNELS = Left.](#) on page 161, [Memory mapping for 16 bit mono, left channel only. CONFIG.SWIDTH = 16Bit, CONFIG.CHANNELS = Left.](#) on page 161 and [Memory mapping for 24 bit mono, left channel only. CONFIG.SWIDTH = 24Bit, CONFIG.CHANNELS = Left.](#) on page 162 show how RX samples are mapped to memory in this mode.

For TX, the same outgoing sample read from memory is transmitted on both left and right in a frame, resulting in a mono output stream.

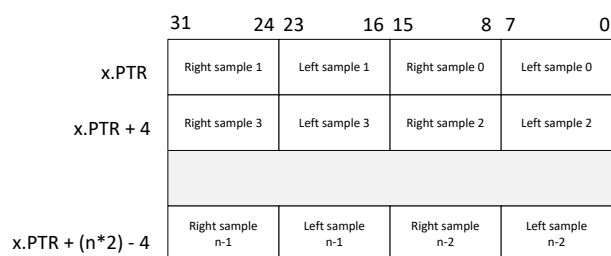


Figure 51: Memory mapping for 8 bit stereo. CONFIG.SWIDTH = 8Bit, CONFIG.CHANNELS = Stereo.

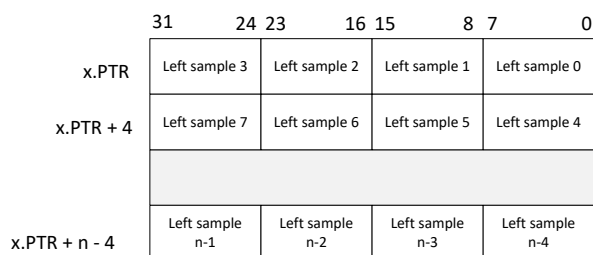


Figure 52: Memory mapping for 8 bit mono. CONFIG.SWIDTH = 8Bit, CONFIG.CHANNELS = Left.

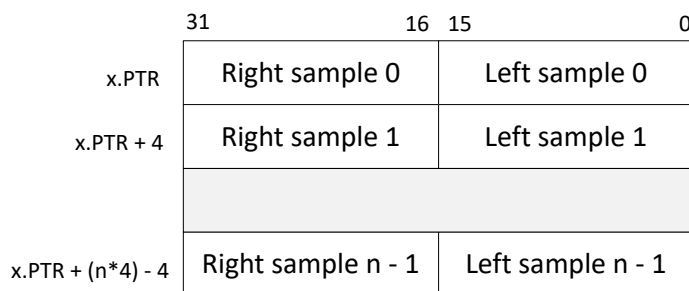


Figure 53: Memory mapping for 16 bit stereo. CONFIG.SWIDTH = 16Bit, CONFIG.CHANNELS = Stereo.

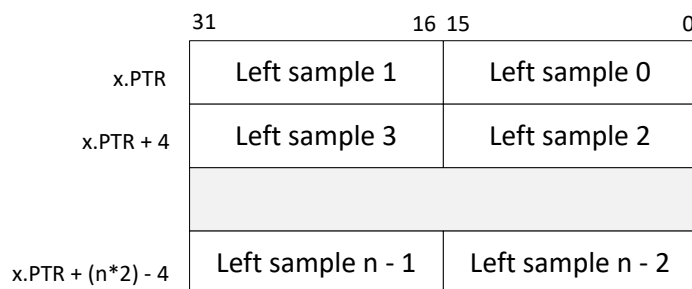


Figure 54: Memory mapping for 16 bit mono, left channel only. CONFIG.SWIDTH = 16Bit, CONFIG.CHANNELS = Left.

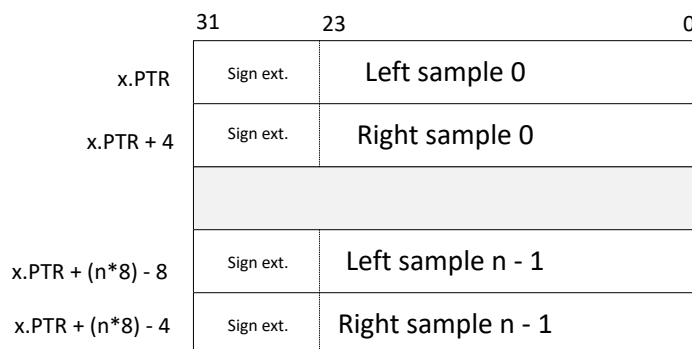


Figure 55: Memory mapping for 24 bit stereo. CONFIG.SWIDTH = 24Bit, CONFIG.CHANNELS = Stereo.

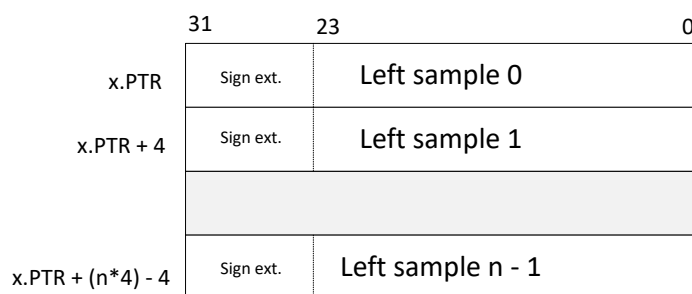


Figure 56: Memory mapping for 24 bit mono, left channel only. CONFIG.SWIDTH = 24Bit, CONFIG.CHANNELS = Left.

6.10.8 Module operation

Described here is a typical operating procedure for the I²S module.

1. Configure the I²S module using the CONFIG registers

```

// Enable reception
NRF_I2S->CONFIG.RXEN = (I2S_CONFIG_RXEN_RXEN_Enabled <<
                        I2S_CONFIG_RXEN_RXEN_Pos);

// Enable transmission
NRF_I2S->CONFIG.TXEN = (I2S_CONFIG_TXEN_TXEN_Enabled <<
                        I2S_CONFIG_TXEN_TXEN_Pos);

// Enable MCK generator
NRF_I2S->CONFIG.MCKEN = (I2S_CONFIG_MCKEN_MCKEN_Enabled <<
                        I2S_CONFIG_MCKEN_MCKEN_Pos);

// MCKFREQ = 4 MHz
NRF_I2S->CONFIG.MCKFREQ = I2S_CONFIG_MCKFREQ_MCKFREQ_32MDIV8 <<
                        I2S_CONFIG_MCKFREQ_MCKFREQ_Pos;

// Ratio = 256
NRF_I2S->CONFIG.RATIO = I2S_CONFIG_RATIO_RATIO_256X <<
                        I2S_CONFIG_RATIO_RATIO_Pos;

// MCKFREQ = 4 MHz and Ratio = 256 gives sample rate = 15.625 ks/s
// Sample width = 16 bit
NRF_I2S->CONFIG.SWIDTH = I2S_CONFIG_SWIDTH_SWIDTH_16Bit <<
                        I2S_CONFIG_SWIDTH_SWIDTH_Pos;

// Alignment = Left
NRF_I2S->CONFIG.ALIGN = I2S_CONFIG_ALIGN_ALIGN_Left <<
                        I2S_CONFIG_ALIGN_ALIGN_Pos;

// Format = I2S
NRF_I2S->CONFIG.FORMAT = I2S_CONFIG_FORMAT_FORMAT_I2S <<
                        I2S_CONFIG_FORMAT_FORMAT_Pos;

// Use stereo
NRF_I2S->CONFIG.CHANNELS = I2S_CONFIG_CHANNELS_CHANNELS_Stereo <<
                        I2S_CONFIG_CHANNELS_CHANNELS_Pos;

```

2. Map IO pins using the PINSEL registers

```

// MCK routed to pin 0
NRF_I2S->PSEL.MCK = (0 << I2S_PSEL_MCK_PIN_Pos) |
                    (I2S_PSEL_MCK_CONNECT_Connected <<
                     I2S_PSEL_MCK_CONNECT_Pos);

// SCK routed to pin 1
NRF_I2S->PSEL.SCK = (1 << I2S_PSEL_SCK_PIN_Pos) |
                    (I2S_PSEL_SCK_CONNECT_Connected <<
                     I2S_PSEL_SCK_CONNECT_Pos);

// LRCK routed to pin 2
NRF_I2S->PSEL.LRCK = (2 << I2S_PSEL_LRCK_PIN_Pos) |
                     (I2S_PSEL_LRCK_CONNECT_Connected <<
                      I2S_PSEL_LRCK_CONNECT_Pos);

// SDOUT routed to pin 3
NRF_I2S->PSEL.SDOUT = (3 << I2S_PSEL_SDOUT_PIN_Pos) |
                      (I2S_PSEL_SDOUT_CONNECT_Connected <<
                       I2S_PSEL_SDOUT_CONNECT_Pos);

// SDIN routed on pin 4
NRF_I2S->PSEL.SDIN = (4 << I2S_PSEL_SDIN_PIN_Pos) |
                     (I2S_PSEL_SDIN_CONNECT_Connected <<
                      I2S_PSEL_SDIN_CONNECT_Pos);

```

3. Configure TX and RX data pointers using the TXD, RXD and RXTXD registers

```
NRF_I2S->TXD.PTR = my_tx_buf;
NRF_I2S->RXD.PTR = my_rx_buf;
NRF_I2S->TXD.MAXCNT = MY_BUF_SIZE;
```

4. Enable the I²S module using the ENABLE register

```
NRF_I2S->ENABLE = 1;
```

5. Start audio streaming using the START task

```
NRF_I2S->TASKS_START = 1;
```

6. Handle received and transmitted data when receiving the TXPTRUPD and RXPTRUPD events

```
if (NRF_I2S->EVENTS_TXPTRUPD != 0)
{
    NRF_I2S->TXD.PTR = my_next_tx_buf;
    NRF_I2S->EVENTS_TXPTRUPD = 0;
}

if (NRF_I2S->EVENTS_RXPTRUPD != 0)
{
    NRF_I2S->RXD.PTR = my_next_rx_buf;
    NRF_I2S->EVENTS_RXPTRUPD = 0;
}
```

6.10.9 Pin configuration

The MCK, SCK, LRCK, SDIN and SDOUT signals associated with the I²S module are mapped to physical pins according to the pin numbers specified in the PSEL.x registers.

These pins are acquired whenever the I²S module is enabled through the register [ENABLE](#) on page 168.

When a pin is acquired by the I²S module, the direction of the pin (input or output) will be configured automatically, and any pin direction setting done in the GPIO module will be overridden. The directions for the various I²S pins are shown below in [GPIO configuration before enabling peripheral \(master mode\)](#) on page 164 and [GPIO configuration before enabling peripheral \(slave mode\)](#) on page 165.

To secure correct signal levels on the pins when the system is in OFF mode, and when the I²S module is disabled, these pins must be configured in the GPIO peripheral directly.

I ² S signal	I ² S pin	Direction	Output value	Comment
MCK	As specified in PSEL.MCK	Output	0	
LRCK	As specified in PSEL.LRCK	Output	0	
SCK	As specified in PSEL.SCK	Output	0	
SDIN	As specified in PSEL.SDIN	Input	Not applicable	
SDOUT	As specified in PSEL.SDOUT	Output	0	

Table 48: GPIO configuration before enabling peripheral (master mode)

I ² S signal	I ² S pin	Direction	Output value	Comment
MCK	As specified in PSEL.MCK	Output	0	
LRCK	As specified in PSEL.LRCK	Input	Not applicable	
SCK	As specified in PSEL.SCK	Input	Not applicable	
SDIN	As specified in PSEL.SDIN	Input	Not applicable	
SDOUT	As specified in PSEL.SDOUT	Output	0	

Table 49: GPIO configuration before enabling peripheral (slave mode)

6.10.10 Registers

Base address	Peripheral	Instance	Description	Configuration
0x40025000	I2S	I2S	Inter-IC sound interface	

Table 50: Instances

Register	Offset	Description
TASKS_START	0x000	Starts continuous I2S transfer. Also starts MCK generator when this is enabled.
TASKS_STOP	0x004	Stops I2S transfer. Also stops MCK generator. Triggering this task will cause the STOPPED event to be generated.
EVENTS_RXPTRUPD	0x104	The RXD.PTR register has been copied to internal double-buffers. When the I2S module is started and RX is enabled, this event will be generated for every RXTXD.MAXCNT words that are received on the SDIN pin.
EVENTS_STOPPED	0x108	I2S transfer stopped.
EVENTS_TXPTRUPD	0x114	The TDY.PTR register has been copied to internal double-buffers. When the I2S module is started and TX is enabled, this event will be generated for every RXTXD.MAXCNT words that are sent on the SDOUT pin.
INTEN	0x300	Enable or disable interrupt
INTENSET	0x304	Enable interrupt
INTENCLR	0x308	Disable interrupt
ENABLE	0x500	Enable I2S module.
CONFIG.MODE	0x504	I2S mode.
CONFIG.RXEN	0x508	Reception (RX) enable.
CONFIG.TXEN	0x50C	Transmission (TX) enable.
CONFIG.MCKEN	0x510	Master clock generator enable.
CONFIG.MCKFREQ	0x514	Master clock generator frequency.
CONFIG.RATIO	0x518	MCK / LRCK ratio.
CONFIG.SWIDTH	0x51C	Sample width.
CONFIG.ALIGN	0x520	Alignment of sample within a frame.
CONFIG.FORMAT	0x524	Frame format.
CONFIG.CHANNELS	0x528	Enable channels.
RXD.PTR	0x538	Receive buffer RAM start address.
TXD.PTR	0x540	Transmit buffer RAM start address.
RXTXD.MAXCNT	0x550	Size of RXD and TXD buffers.
PSEL.MCK	0x560	Pin select for MCK signal.
PSEL.SCK	0x564	Pin select for SCK signal.
PSEL.LRCK	0x568	Pin select for LRCK signal.
PSEL.SDIN	0x56C	Pin select for SDIN signal.
PSEL.SDOUT	0x570	Pin select for SDOUT signal.

Table 51: Register overview

6.10.10.1 TASKS_START

Address offset: 0x000

Starts continuous I2S transfer. Also starts MCK generator when this is enabled.

Bit number	31	30	29	28	27	26	25	24	23	22	21	20	19	18	17	16	15	14	13	12	11	10	9	8	7	6	5	4	3	2	1	0
ID																																A
Reset 0x00000000	0 0																															
ID	Acce	Field	Value ID	Value	Description																											
A	W	TASKS_START			Starts continuous I2S transfer. Also starts MCK generator when this is enabled.																											
			Trigger	1	Trigger task																											

6.10.10.2 TASKS_STOP

Address offset: 0x004

Stops I2S transfer. Also stops MCK generator. Triggering this task will cause the STOPPED event to be generated.

Bit number	31	30	29	28	27	26	25	24	23	22	21	20	19	18	17	16	15	14	13	12	11	10	9	8	7	6	5	4	3	2	1	0
ID																																A
Reset 0x00000000	0 0																															
ID	Acce	Field	Value ID	Value	Description																											
A	W	TASKS_STOP			Stops I2S transfer. Also stops MCK generator. Triggering this task will cause the STOPPED event to be generated.																											
			Trigger	1	Trigger task																											

6.10.10.3 EVENTS_RXPTRUPD

Address offset: 0x104

The RXD.PTR register has been copied to internal double-buffers. When the I2S module is started and RX is enabled, this event will be generated for every RXTXD.MAXCNT words that are received on the SDIN pin.

Bit number	31	30	29	28	27	26	25	24	23	22	21	20	19	18	17	16	15	14	13	12	11	10	9	8	7	6	5	4	3	2	1	0
ID																																A
Reset 0x00000000	0 0																															
ID	Acce	Field	Value ID	Value	Description																											
A	RW	EVENTS_RXPTRUPD			The RXD.PTR register has been copied to internal double-buffers. When the I2S module is started and RX is enabled, this event will be generated for every RXTXD.MAXCNT words that are received on the SDIN pin.																											
			NotGenerated	0	Event not generated																											
			Generated	1	Event generated																											

6.10.10.4 EVENTS_STOPPED

Address offset: 0x108

I2S transfer stopped.

Bit number	31	30	29	28	27	26	25	24	23	22	21	20	19	18	17	16	15	14	13	12	11	10	9	8	7	6	5	4	3	2	1	0
ID																																A
Reset 0x00000000	0 0																															
ID	Acce Field	Value ID	Value	Description																												
A	RW EVENTS_STOPPED			I2S transfer stopped.																												
		NotGenerated	0	Event not generated																												
		Generated	1	Event generated																												

6.10.10.5 EVENTS_TXPTRUPD

Address offset: 0x114

The TDX.PTR register has been copied to internal double-buffers. When the I2S module is started and TX is enabled, this event will be generated for every RXTXD.MAXCNT words that are sent on the SDOOUT pin.

Bit number	31	30	29	28	27	26	25	24	23	22	21	20	19	18	17	16	15	14	13	12	11	10	9	8	7	6	5	4	3	2	1	0
ID																																A
Reset 0x00000000	0 0																															
ID	Acce Field	Value ID	Value	Description																												
A	RW EVENTS_TXPTRUPD			The TDX.PTR register has been copied to internal double-buffers. When the I2S module is started and TX is enabled, this event will be generated for every RXTXD.MAXCNT words that are sent on the SDOOUT pin.																												
		NotGenerated	0	Event not generated																												
		Generated	1	Event generated																												

6.10.10.6 INTEN

Address offset: 0x300

Enable or disable interrupt

Bit number	31	30	29	28	27	26	25	24	23	22	21	20	19	18	17	16	15	14	13	12	11	10	9	8	7	6	5	4	3	2	1	0		
ID																																F	C	B
Reset 0x00000000	0 0																																	
ID	Acce Field	Value ID	Value	Description																														
B	RW RXPTRUPD	Disabled	0	Disable																														
		Enabled	1	Enable																														
C	RW STOPPED	Disabled	0	Disable																														
		Enabled	1	Enable																														
F	RW TXPTRUPD	Disabled	0	Disable																														
		Enabled	1	Enable																														

6.10.10.7 INTENSET

Address offset: 0x304

Enable interrupt

Bit number	31 30 29 28 27 26 25 24 23 22 21 20 19 18 17 16 15 14 13 12 11 10 9 8 7 6 5 4 3 2 1 0																																
ID																															F	C	B
Reset 0x00000000	0 0																																
ID	Acce Field	Value ID	Value	Description																													
B	RW RXPTRUPD			Write '1' to enable interrupt for event RXPTRUPD																													
		Set	1	Enable																													
		Disabled	0	Read: Disabled																													
		Enabled	1	Read: Enabled																													
C	RW STOPPED			Write '1' to enable interrupt for event STOPPED																													
		Set	1	Enable																													
		Disabled	0	Read: Disabled																													
		Enabled	1	Read: Enabled																													
F	RW TXPTRUPD			Write '1' to enable interrupt for event TXPTRUPD																													
		Set	1	Enable																													
		Disabled	0	Read: Disabled																													
		Enabled	1	Read: Enabled																													

6.10.10.8 INTENCLR

Address offset: 0x308

Disable interrupt

Bit number	31 30 29 28 27 26 25 24 23 22 21 20 19 18 17 16 15 14 13 12 11 10 9 8 7 6 5 4 3 2 1 0																																
ID																															F	C	B
Reset 0x00000000	0 0																																
ID	Acce Field	Value ID	Value	Description																													
B	RW RXPTRUPD			Write '1' to disable interrupt for event RXPTRUPD																													
		Clear	1	Disable																													
		Disabled	0	Read: Disabled																													
		Enabled	1	Read: Enabled																													
C	RW STOPPED			Write '1' to disable interrupt for event STOPPED																													
		Clear	1	Disable																													
		Disabled	0	Read: Disabled																													
		Enabled	1	Read: Enabled																													
F	RW TXPTRUPD			Write '1' to disable interrupt for event TXPTRUPD																													
		Clear	1	Disable																													
		Disabled	0	Read: Disabled																													
		Enabled	1	Read: Enabled																													

6.10.10.9 ENABLE

Address offset: 0x500

Enable I2S module.

Bit number	31 30 29 28 27 26 25 24 23 22 21 20 19 18 17 16 15 14 13 12 11 10 9 8 7 6 5 4 3 2 1 0																														
ID																															A
Reset 0x00000000	0 0																														
ID	Acce Field	Value ID	Value	Description																											
A	RW ENABLE			Enable I2S module.																											
		Disabled	0	Disable																											
		Enabled	1	Enable																											

6.10.10.10 CONFIG.MODE

Address offset: 0x504

I2S mode.

Bit number	31	30	29	28	27	26	25	24	23	22	21	20	19	18	17	16	15	14	13	12	11	10	9	8	7	6	5	4	3	2	1	0
ID																																A
Reset 0x00000000	0 0																															
ID	Acce Field	Value ID	Value	Description																												
A	RW MODE			I2S mode.																												
		Master	0	Master mode. SCK and LRCK generated from internal master clock (MCK) and output on pins defined by PSEL.xxx.																												
		Slave	1	Slave mode. SCK and LRCK generated by external master and received on pins defined by PSEL.xxx																												

6.10.10.11 CONFIG.RXEN

Address offset: 0x508

Reception (RX) enable.

Bit number	31	30	29	28	27	26	25	24	23	22	21	20	19	18	17	16	15	14	13	12	11	10	9	8	7	6	5	4	3	2	1	0
ID																																A
Reset 0x00000000	0 0																															
ID	Acce Field	Value ID	Value	Description																												
A	RW RXEN			Reception (RX) enable.																												
		Disabled	0	Reception disabled and now data will be written to the RXD.PTR address.																												
		Enabled	1	Reception enabled.																												

6.10.10.12 CONFIG.TXEN

Address offset: 0x50C

Transmission (TX) enable.

Bit number	31	30	29	28	27	26	25	24	23	22	21	20	19	18	17	16	15	14	13	12	11	10	9	8	7	6	5	4	3	2	1	0
ID																																A
Reset 0x00000001	0 1																															
ID	Acce Field	Value ID	Value	Description																												
A	RW TXEN			Transmission (TX) enable.																												
		Disabled	0	Transmission disabled and now data will be read from the RXD.TXD address.																												
		Enabled	1	Transmission enabled.																												

6.10.10.13 CONFIG.MCKEN

Address offset: 0x510

Master clock generator enable.

Bit number	31 30 29 28 27 26 25 24 23 22 21 20 19 18 17 16 15 14 13 12 11 10 9 8 7 6 5 4 3 2 1 0																														
ID	A																														
Reset 0x00000001	0 1																														
ID	Acce Field	Value ID	Value	Description																											
A	RW MCKEN			Master clock generator enable.																											
		Disabled	0	Master clock generator disabled and PSEL.MCK not connected(available as GPIO).																											
		Enabled	1	Master clock generator running and MCK output on PSEL.MCK.																											

6.10.10.14 CONFIG.MCKFREQ

Address offset: 0x514

Master clock generator frequency.

Bit number	31 30 29 28 27 26 25 24 23 22 21 20 19 18 17 16 15 14 13 12 11 10 9 8 7 6 5 4 3 2 1 0																														
ID	A A																														
Reset 0x20000000	0 0 1 0																														
ID	Acce Field	Value ID	Value	Description																											
A	RW MCKFREQ			Master clock generator frequency.																											
		32MDIV8	0x20000000	32 MHz / 8 = 4.0 MHz																											
		32MDIV10	0x18000000	32 MHz / 10 = 3.2 MHz																											
		32MDIV11	0x16000000	32 MHz / 11 = 2.9090909 MHz																											
		32MDIV15	0x11000000	32 MHz / 15 = 2.1333333 MHz																											
		32MDIV16	0x10000000	32 MHz / 16 = 2.0 MHz																											
		32MDIV21	0x0C000000	32 MHz / 21 = 1.5238095																											
		32MDIV23	0x0B000000	32 MHz / 23 = 1.3913043 MHz																											
		32MDIV30	0x08800000	32 MHz / 30 = 1.0666667 MHz																											
		32MDIV31	0x08400000	32 MHz / 31 = 1.0322581 MHz																											
		32MDIV32	0x08000000	32 MHz / 32 = 1.0 MHz																											
		32MDIV42	0x06000000	32 MHz / 42 = 0.7619048 MHz																											
		32MDIV63	0x04100000	32 MHz / 63 = 0.5079365 MHz																											
		32MDIV125	0x020C0000	32 MHz / 125 = 0.256 MHz																											

6.10.10.15 CONFIG.RATIO

Address offset: 0x518

MCK / LRCK ratio.

Bit number	31 30 29 28 27 26 25 24 23 22 21 20 19 18 17 16 15 14 13 12 11 10 9 8 7 6 5 4 3 2 1 0																														
ID	A A A A																														
Reset 0x00000006	0 1 1 0																														
ID	Acce Field	Value ID	Value	Description																											
A	RW RATIO			MCK / LRCK ratio.																											
		32X	0	LRCK = MCK / 32																											
		48X	1	LRCK = MCK / 48																											
		64X	2	LRCK = MCK / 64																											
		96X	3	LRCK = MCK / 96																											
		128X	4	LRCK = MCK / 128																											
		192X	5	LRCK = MCK / 192																											
		256X	6	LRCK = MCK / 256																											
		384X	7	LRCK = MCK / 384																											
		512X	8	LRCK = MCK / 512																											

6.10.10.16 CONFIG.SWIDTH

Address offset: 0x51C

Sample width.

Bit number	31	30	29	28	27	26	25	24	23	22	21	20	19	18	17	16	15	14	13	12	11	10	9	8	7	6	5	4	3	2	1	0				
ID																											A	A								
Reset 0x00000001	0																0										0	1								
ID	Acce	Field	Value ID	Value	Description																															
A	RW	SWIDTH			Sample width.																															
			8Bit	0	8 bit.																															
			16Bit	1	16 bit.																															
			24Bit	2	24 bit.																															

6.10.10.17 CONFIG.ALIGN

Address offset: 0x520

Alignment of sample within a frame.

Bit number	31	30	29	28	27	26	25	24	23	22	21	20	19	18	17	16	15	14	13	12	11	10	9	8	7	6	5	4	3	2	1	0				
ID																											A	A								
Reset 0x00000000	0																0										0	0								
ID	Acce	Field	Value ID	Value	Description																															
A	RW	ALIGN			Alignment of sample within a frame.																															
			Left	0	Left-aligned.																															
			Right	1	Right-aligned.																															

6.10.10.18 CONFIG.FORMAT

Address offset: 0x524

Frame format.

Bit number	31	30	29	28	27	26	25	24	23	22	21	20	19	18	17	16	15	14	13	12	11	10	9	8	7	6	5	4	3	2	1	0				
ID																											A	A								
Reset 0x00000000	0																0										0	0								
ID	Acce	Field	Value ID	Value	Description																															
A	RW	FORMAT			Frame format.																															
			I2S	0	Original I2S format.																															
			Aligned	1	Alternate (left- or right-aligned) format.																															

6.10.10.19 CONFIG.CHANNELS

Address offset: 0x528

Enable channels.

Bit number	31	30	29	28	27	26	25	24	23	22	21	20	19	18	17	16	15	14	13	12	11	10	9	8	7	6	5	4	3	2	1	0	
ID																																A	A
Reset 0x00000000	0 0																																
ID	Acce Field	Value ID	Value	Description																													
A	RW CHANNELS			Enable channels.																													
		Stereo	0	Stereo.																													
		Left	1	Left only.																													
		Right	2	Right only.																													

6.10.10.20 RXD.PTR

Address offset: 0x538

Receive buffer RAM start address.

Bit number	31	30	29	28	27	26	25	24	23	22	21	20	19	18	17	16	15	14	13	12	11	10	9	8	7	6	5	4	3	2	1	0
ID	A	A	A	A	A	A	A	A	A	A	A	A	A	A	A	A	A	A	A	A	A	A	A	A	A	A	A	A	A	A	A	A
Reset 0x00000000	0 0																															
ID	Acce Field	Value ID	Value	Description																												
A	RW PTR			Receive buffer Data RAM start address. When receiving, words containing samples will be written to this address. This address is a word aligned Data RAM address.																												

6.10.10.21 TXD.PTR

Address offset: 0x540

Transmit buffer RAM start address.

Bit number	31	30	29	28	27	26	25	24	23	22	21	20	19	18	17	16	15	14	13	12	11	10	9	8	7	6	5	4	3	2	1	0
ID	A	A	A	A	A	A	A	A	A	A	A	A	A	A	A	A	A	A	A	A	A	A	A	A	A	A	A	A	A	A	A	
Reset 0x00000000	0 0																															
ID	Acce Field	Value ID	Value	Description																												
A	RW PTR			Transmit buffer Data RAM start address. When transmitting, words containing samples will be fetched from this address. This address is a word aligned Data RAM address.																												

6.10.10.22 RXTXD.MAXCNT

Address offset: 0x550

Size of RXD and TXD buffers.

Bit number	31	30	29	28	27	26	25	24	23	22	21	20	19	18	17	16	15	14	13	12	11	10	9	8	7	6	5	4	3	2	1	0									
ID																						A	A	A	A	A	A	A	A	A	A	A	A	A	A	A	A	A	A	A	A
Reset 0x00000000	0 0																																								
ID	Acce Field	Value ID	Value	Description																																					
A	RW MAXCNT			Size of RXD and TXD buffers in number of 32 bit words.																																					

6.10.10.23 PSEL.MCK

Address offset: 0x560

Pin select for MCK signal.

Bit number	31 30 29 28 27 26 25 24 23 22 21 20 19 18 17 16 15 14 13 12 11 10 9 8 7 6 5 4 3 2 1 0																																		
ID	C																											B				A	A	A	A
Reset 0xFFFFFFFF	1 1																																		
ID	Acce Field	Value ID	Value	Description																															
A	RW PIN		[0..31]	Pin number																															
B	RW PORT		[0..1]	Port number																															
C	RW CONNECT			Connection																															
		Disconnected	1	Disconnect																															
		Connected	0	Connect																															

6.10.10.24 PSEL.SCK

Address offset: 0x564

Pin select for SCK signal.

Bit number	31 30 29 28 27 26 25 24 23 22 21 20 19 18 17 16 15 14 13 12 11 10 9 8 7 6 5 4 3 2 1 0																																		
ID	C																											B				A	A	A	A
Reset 0xFFFFFFFF	1 1																																		
ID	Acce Field	Value ID	Value	Description																															
A	RW PIN		[0..31]	Pin number																															
B	RW PORT		[0..1]	Port number																															
C	RW CONNECT			Connection																															
		Disconnected	1	Disconnect																															
		Connected	0	Connect																															

6.10.10.25 PSEL.LRCK

Address offset: 0x568

Pin select for LRCK signal.

Bit number	31 30 29 28 27 26 25 24 23 22 21 20 19 18 17 16 15 14 13 12 11 10 9 8 7 6 5 4 3 2 1 0																																		
ID	C																											B				A	A	A	A
Reset 0xFFFFFFFF	1 1																																		
ID	Acce Field	Value ID	Value	Description																															
A	RW PIN		[0..31]	Pin number																															
B	RW PORT		[0..1]	Port number																															
C	RW CONNECT			Connection																															
		Disconnected	1	Disconnect																															
		Connected	0	Connect																															

6.10.10.26 PSEL.SDIN

Address offset: 0x56C

Pin select for SDIN signal.

Bit number	31	30	29	28	27	26	25	24	23	22	21	20	19	18	17	16	15	14	13	12	11	10	9	8	7	6	5	4	3	2	1	0
ID	C																															
Reset 0xFFFFFFFF	1 1																															
ID	Acce	Field	Value ID	Value	Description																											
A	RW	PIN		[0..31]	Pin number																											
B	RW	PORT		[0..1]	Port number																											
C	RW	CONNECT			Connection																											
			Disconnected	1	Disconnect																											
			Connected	0	Connect																											

6.10.10.27 PSEL.SDOUT

Address offset: 0x570

Pin select for SDOUT signal.

Bit number	31	30	29	28	27	26	25	24	23	22	21	20	19	18	17	16	15	14	13	12	11	10	9	8	7	6	5	4	3	2	1	0
ID	C																															
Reset 0xFFFFFFFF	1 1																															
ID	Acce	Field	Value ID	Value	Description																											
A	RW	PIN		[0..31]	Pin number																											
B	RW	PORT		[0..1]	Port number																											
C	RW	CONNECT			Connection																											
			Disconnected	1	Disconnect																											
			Connected	0	Connect																											

6.10.11 Electrical specification

6.10.11.1 I2S timing specification

Symbol	Description	Min.	Typ.	Max.	Units
t_{s_SDIN}	SDIN setup time before SCK rising	20			ns
t_{H_SDIN}	SDIN hold time after SCK rising	15			ns
t_{s_SDOUT}	SDOUT setup time after SCK falling	40			ns
t_{H_SDOUT}	SDOUT hold time before SCK falling	6			ns
t_{SCK_LRCK}	SCLK falling to LRCK edge	-5	0	5	ns
f_{MCK}	MCK frequency			4000	kHz
f_{LRCK}	LRCK frequency			48	kHz
f_{SCK}	SCK frequency			2000	kHz
DC _{CK}	Clock duty cycle (MCK, LRCK, SCK)	45		55	%

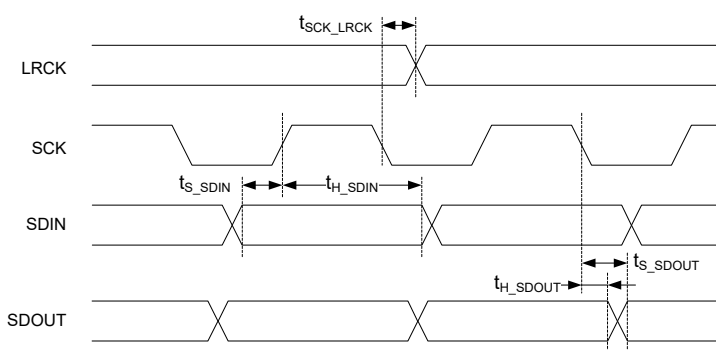


Figure 57: I2S timing diagram

6.11 LPCOMP — Low-power comparator

Low-power comparator (LPCOMP) compares an input voltage against a reference voltage.

Listed here are the main features of LPCOMP:

- 0 - VDD input range
- Ultra-low power
- Eight input options (**AIN0** to **AIN7**)
- Reference voltage options:
 - Two external analog reference inputs, or
 - 15-level internal reference ladder (VDD/16)
- Optional hysteresis enable on input
- Can be used as a wakeup source from System OFF mode

In System ON, the LPCOMP can generate separate events on rising and falling edges of a signal, or sample the current state of the pin as being above or below the selected reference. The block can be configured to use any of the analog inputs on the device. Additionally, the low-power comparator can be used as an analog wakeup source from System OFF or System ON. The comparator threshold can be programmed to a range of fractions of the supply voltage.

Note: LPCOMP cannot be used (STARTed) at the same time as COMP. Only one comparator can be used at a time.

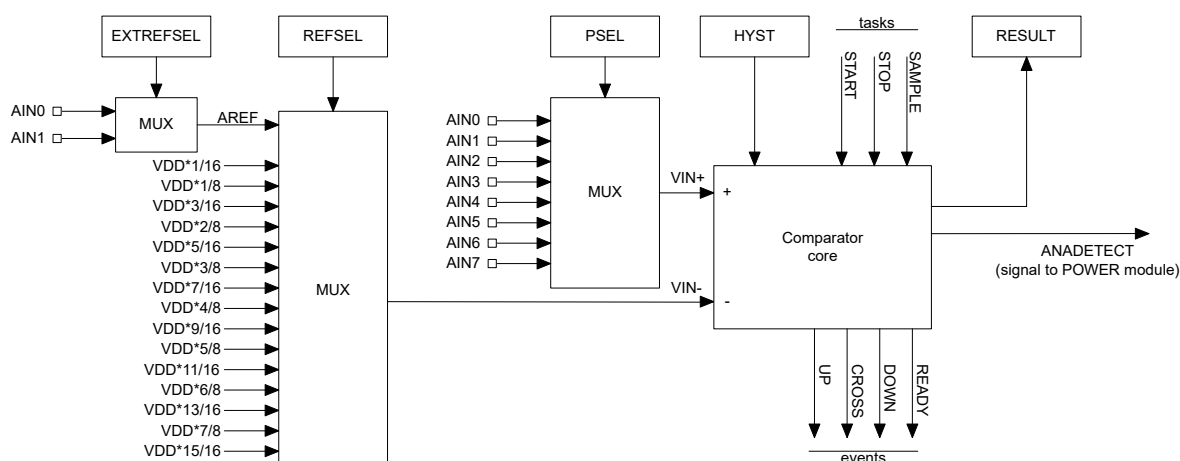


Figure 58: Low-power comparator

The wakeup comparator (LPCOMP) compares an input voltage (VIN+), which comes from an analog input pin selected via the PSEL register, against a reference voltage (VIN-) selected via registers REFSEL on page 181 and EXTREFSEL.

The PSEL, REFSEL, and EXTREFSEL registers must be configured before the LPCOMP is enabled through the ENABLE register.

The HYST register allows enabling an optional hysteresis in the comparator core. This hysteresis shall prevent noise on the signal to create unwanted events. Figure below illustrates the effect of an active hysteresis on a noisy input signal. It is disabled by default, and shall be configured before enabling LPCOMP as well.

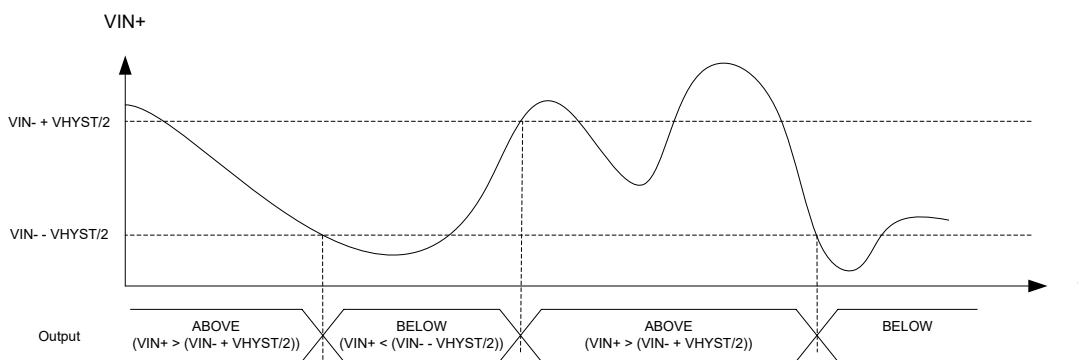


Figure 59: Effect of hysteresis on a noisy input signal

The LPCOMP is started by triggering the START task. After a startup time of $t_{LPCOMP,STARTUP}$, the LPCOMP will generate a READY event to indicate that the comparator is ready to use and the output of the LPCOMP is correct. The LPCOMP will generate events every time $VIN+$ crosses $VIN-$. More specifically, every time $VIN+$ rises above $VIN-$ (upward crossing) an UP event is generated along with a CROSS event. Every time $VIN+$ falls below $VIN-$ (downward crossing), a DOWN event is generated along with a CROSS event. When hysteresis is enabled, the upward crossing level becomes $(VIN- + VHYST/2)$, and the downward crossing level becomes $(VIN- - VHYST/2)$.

The LPCOMP is stopped by triggering the STOP task.

LPCOMP will be operational in both System ON and System OFF mode when it is enabled through the ENABLE register. See [POWER — Power supply](#) on page 61 for more information about power modes. Note that it is not allowed to go to System OFF when a READY event is pending to be generated.

All LPCOMP registers, including [ENABLE](#), are classified as retained registers when the LPCOMP is enabled. However, when the device wakes up from System OFF, all LPCOMP registers will be reset.

The LPCOMP can wake up the system from System OFF by asserting the ANADETECT signal. The ANADETECT signal can be derived from any of the event sources that generate the UP, DOWN and CROSS events. In case of wakeup from System OFF, no events will be generated, only the ANADETECT signal. See the ANADETECT register ([ANADETECT](#) on page 182) for more information on how to configure the ANADETECT signal.

The immediate value of the LPCOMP can be sampled to [RESULT](#) on page 180 by triggering the SAMPLE task.

See [RESETREAS](#) on page 75 for more information on how to detect a wakeup from LPCOMP.

6.11.1 Shared resources

The LPCOMP shares analog resources with SAADC. While it is possible to use the SAADC at the same time as the LPCOMP, selecting the same analog input pin for both modules is not supported.

Additionally, LPCOMP shares registers and other resources with other peripherals that have the same ID as the LPCOMP. See [Peripherals with shared ID](#) on page 99 for more information.

The LPCOMP peripheral shall not be disabled (by writing to the ENABLE register) before the peripheral has been stopped. Failing to do so may result in unpredictable behavior.

6.11.2 Pin configuration

You can use the LPCOMP.PSEL register to select one of the analog input pins, **AIN0** through **AIN7**, as the analog input pin for the LPCOMP.

See [GPIO — General purpose input/output](#) on page 141 for more information about the pins. Similarly, you can use [EXTRESEL](#) on page 182 to select one of the analog reference input pins, **AIN0** and **AIN1**,

as input for AREF in case AREF is selected in [EXTREFSEL](#) on page 182. The selected analog pins will be acquired by the LPCOMP when it is enabled through [ENABLE](#) on page 181.

6.11.3 Registers

Base address	Peripheral	Instance	Description	Configuration
0x40013000	LPCOMP	LPCOMP	Low power comparator	

Table 52: Instances

Register	Offset	Description
TASKS_START	0x000	Start comparator
TASKS_STOP	0x004	Stop comparator
TASKS_SAMPLE	0x008	Sample comparator value
EVENTS_READY	0x100	LPCOMP is ready and output is valid
EVENTS_DOWN	0x104	Downward crossing
EVENTS_UP	0x108	Upward crossing
EVENTS_CROSS	0x10C	Downward or upward crossing
SHORTS	0x200	Shortcuts between local events and tasks
INTENSET	0x304	Enable interrupt
INTENCLR	0x308	Disable interrupt
RESULT	0x400	Compare result
ENABLE	0x500	Enable LPCOMP
PSEL	0x504	Input pin select
REFSEL	0x508	Reference select
EXTREFSEL	0x50C	External reference select
ANADETECT	0x520	Analog detect configuration
HYST	0x538	Comparator hysteresis enable

Table 53: Register overview

6.11.3.1 TASKS_START

Address offset: 0x000

Start comparator

Bit number	31 30 29 28 27 26 25 24 23 22 21 20 19 18 17 16 15 14 13 12 11 10 9 8 7 6 5 4 3 2 1 0																														
ID	A																														
Reset 0x00000000	0 0																														
ID	Acce	Field	Value ID	Value	Description																										
A	W	TASKS_START			Start comparator																										
			Trigger	1	Trigger task																										

6.11.3.2 TASKS_STOP

Address offset: 0x004

Stop comparator

Bit number	31	30	29	28	27	26	25	24	23	22	21	20	19	18	17	16	15	14	13	12	11	10	9	8	7	6	5	4	3	2	1	0
ID																																A
Reset 0x00000000	0 0																															
ID	Acce Field	Value ID	Value	Description																												
A	W TASKS_STOP			Stop comparator																												
		Trigger	1	Trigger task																												

6.11.3.3 TASKS_SAMPLE

Address offset: 0x008

Sample comparator value

Bit number	31	30	29	28	27	26	25	24	23	22	21	20	19	18	17	16	15	14	13	12	11	10	9	8	7	6	5	4	3	2	1	0
ID																																A
Reset 0x00000000	0 0																															
ID	Acce Field	Value ID	Value	Description																												
A	W TASKS_SAMPLE			Sample comparator value																												
		Trigger	1	Trigger task																												

6.11.3.4 EVENTS_READY

Address offset: 0x100

LPCOMP is ready and output is valid

Bit number	31	30	29	28	27	26	25	24	23	22	21	20	19	18	17	16	15	14	13	12	11	10	9	8	7	6	5	4	3	2	1	0
ID																																A
Reset 0x00000000	0 0																															
ID	Acce Field	Value ID	Value	Description																												
A	RW EVENTS_READY			LPCOMP is ready and output is valid																												
		NotGenerated	0	Event not generated																												
		Generated	1	Event generated																												

6.11.3.5 EVENTS_DOWN

Address offset: 0x104

Downward crossing

Bit number	31	30	29	28	27	26	25	24	23	22	21	20	19	18	17	16	15	14	13	12	11	10	9	8	7	6	5	4	3	2	1	0
ID																																A
Reset 0x00000000	0 0																															
ID	Acce Field	Value ID	Value	Description																												
A	RW EVENTS_DOWN			Downward crossing																												
		NotGenerated	0	Event not generated																												
		Generated	1	Event generated																												

6.11.3.6 EVENTS_UP

Address offset: 0x108

Upward crossing

Bit number	31	30	29	28	27	26	25	24	23	22	21	20	19	18	17	16	15	14	13	12	11	10	9	8	7	6	5	4	3	2	1	0
ID																																A
Reset 0x00000000	0 0																															
ID	Acce Field	Value ID	Value	Description																												
A	RW EVENTS_UP			Upward crossing																												
		NotGenerated	0	Event not generated																												
		Generated	1	Event generated																												

6.11.3.7 EVENTS_CROSS

Address offset: 0x10C

Downward or upward crossing

Bit number	31	30	29	28	27	26	25	24	23	22	21	20	19	18	17	16	15	14	13	12	11	10	9	8	7	6	5	4	3	2	1	0
ID																																A
Reset 0x00000000	0 0																															
ID	Acce Field	Value ID	Value	Description																												
A	RW EVENTS_CROSS			Downward or upward crossing																												
		NotGenerated	0	Event not generated																												
		Generated	1	Event generated																												

6.11.3.8 SHORTS

Address offset: 0x200

Shortcuts between local events and tasks

Bit number	31	30	29	28	27	26	25	24	23	22	21	20	19	18	17	16	15	14	13	12	11	10	9	8	7	6	5	4	3	2	1	0
ID																																E D C B A
Reset 0x00000000	0 0																															
ID	Acce Field	Value ID	Value	Description																												
A	RW READY_SAMPLE			Shortcut between event READY and task SAMPLE																												
		Disabled	0	Disable shortcut																												
		Enabled	1	Enable shortcut																												
B	RW READY_STOP			Shortcut between event READY and task STOP																												
		Disabled	0	Disable shortcut																												
		Enabled	1	Enable shortcut																												
C	RW DOWN_STOP			Shortcut between event DOWN and task STOP																												
		Disabled	0	Disable shortcut																												
		Enabled	1	Enable shortcut																												
D	RW UP_STOP			Shortcut between event UP and task STOP																												
		Disabled	0	Disable shortcut																												
		Enabled	1	Enable shortcut																												
E	RW CROSS_STOP			Shortcut between event CROSS and task STOP																												
		Disabled	0	Disable shortcut																												
		Enabled	1	Enable shortcut																												

6.11.3.9 INTENSET

Address offset: 0x304

Enable interrupt

Bit number	31 30 29 28 27 26 25 24 23 22 21 20 19 18 17 16 15 14 13 12 11 10 9 8 7 6 5 4 3 2 1 0																																	
ID																															D	C	B	A
Reset 0x00000000	0 0																																	
ID	Acce	Field	Value	ID	Value	Description																												
A	RW	READY				Write '1' to enable interrupt for event READY																												
			Set	1	Enable																													
			Disabled	0	Read: Disabled																													
			Enabled	1	Read: Enabled																													
			B	RW	DOWN				Write '1' to enable interrupt for event DOWN																									
						Set	1	Enable																										
Disabled	0	Read: Disabled																																
			Enabled	1	Read: Enabled																													
			C	RW	UP				Write '1' to enable interrupt for event UP																									
						Set	1	Enable																										
Disabled	0	Read: Disabled																																
			Enabled	1	Read: Enabled																													
			D	RW	CROSS				Write '1' to enable interrupt for event CROSS																									
						Set	1	Enable																										
Disabled	0	Read: Disabled																																
			Enabled	1	Read: Enabled																													

6.11.3.10 INTENCLR

Address offset: 0x308

Disable interrupt

Bit number	31 30 29 28 27 26 25 24 23 22 21 20 19 18 17 16 15 14 13 12 11 10 9 8 7 6 5 4 3 2 1 0																																	
ID																															D	C	B	A
Reset 0x00000000	0 0																																	
ID	Acce	Field	Value	ID	Value	Description																												
A	RW	READY				Write '1' to disable interrupt for event READY																												
			Clear	1	Disable																													
			Disabled	0	Read: Disabled																													
			Enabled	1	Read: Enabled																													
			B	RW	DOWN				Write '1' to disable interrupt for event DOWN																									
						Clear	1	Disable																										
Disabled	0	Read: Disabled																																
			Enabled	1	Read: Enabled																													
			C	RW	UP				Write '1' to disable interrupt for event UP																									
						Clear	1	Disable																										
Disabled	0	Read: Disabled																																
			Enabled	1	Read: Enabled																													
			D	RW	CROSS				Write '1' to disable interrupt for event CROSS																									
						Clear	1	Disable																										
Disabled	0	Read: Disabled																																
			Enabled	1	Read: Enabled																													

6.11.3.11 RESULT

Address offset: 0x400

Compare result

Bit number	31	30	29	28	27	26	25	24	23	22	21	20	19	18	17	16	15	14	13	12	11	10	9	8	7	6	5	4	3	2	1	0
ID																																A
Reset	0x00000000																															
	0 0																															
ID	Acce Field	Value ID	Value	Description																												
A	R	RESULT		Result of last compare. Decision point SAMPLE task.																												
		Below	0	Input voltage is below the reference threshold (VIN+ < VIN-)																												
		Above	1	Input voltage is above the reference threshold (VIN+ > VIN-)																												

6.11.3.12 ENABLE

Address offset: 0x500

Enable LPCOMP

Bit number	31	30	29	28	27	26	25	24	23	22	21	20	19	18	17	16	15	14	13	12	11	10	9	8	7	6	5	4	3	2	1	0
ID																																A
Reset	0x00000000																															
	0 0																															
ID	Acce Field	Value ID	Value	Description																												
A	RW	ENABLE		Enable or disable LPCOMP																												
		Disabled	0	Disable																												
		Enabled	1	Enable																												

6.11.3.13 PSEL

Address offset: 0x504

Input pin select

Bit number	31	30	29	28	27	26	25	24	23	22	21	20	19	18	17	16	15	14	13	12	11	10	9	8	7	6	5	4	3	2	1	0
ID																																A
Reset	0x00000000																															
	0 0																															
ID	Acce Field	Value ID	Value	Description																												
A	RW	PSEL		Analog pin select																												
		AnalogInput0	0	AIN0 selected as analog input																												
		AnalogInput1	1	AIN1 selected as analog input																												
		AnalogInput2	2	AIN2 selected as analog input																												
		AnalogInput3	3	AIN3 selected as analog input																												
		AnalogInput4	4	AIN4 selected as analog input																												
		AnalogInput5	5	AIN5 selected as analog input																												
		AnalogInput6	6	AIN6 selected as analog input																												
		AnalogInput7	7	AIN7 selected as analog input																												

6.11.3.14 REFSEL

Address offset: 0x508

Reference select

Bit number	31	30	29	28	27	26	25	24	23	22	21	20	19	18	17	16	15	14	13	12	11	10	9	8	7	6	5	4	3	2	1	0
ID																																A
Reset	0x00000004																															
	0 0																															
ID	Acce Field	Value ID	Value	Description																												
A	RW	REFSEL		Reference select																												
		Ref1_8Vdd	0	VDD * 1/8 selected as reference																												
		Ref2_8Vdd	1	VDD * 2/8 selected as reference																												

Bit number	31 30 29 28 27 26 25 24 23 22 21 20 19 18 17 16 15 14 13 12 11 10 9 8 7 6 5 4 3 2 1 0																															
ID																																A A A A
Reset 0x00000004	0 0																															
ID	Acce Field	Value ID	Value	Description																												
		Ref3_8Vdd	2	VDD * 3/8 selected as reference																												
		Ref4_8Vdd	3	VDD * 4/8 selected as reference																												
		Ref5_8Vdd	4	VDD * 5/8 selected as reference																												
		Ref6_8Vdd	5	VDD * 6/8 selected as reference																												
		Ref7_8Vdd	6	VDD * 7/8 selected as reference																												
		ARef	7	External analog reference selected																												
		Ref1_16Vdd	8	VDD * 1/16 selected as reference																												
		Ref3_16Vdd	9	VDD * 3/16 selected as reference																												
		Ref5_16Vdd	10	VDD * 5/16 selected as reference																												
		Ref7_16Vdd	11	VDD * 7/16 selected as reference																												
		Ref9_16Vdd	12	VDD * 9/16 selected as reference																												
		Ref11_16Vdd	13	VDD * 11/16 selected as reference																												
		Ref13_16Vdd	14	VDD * 13/16 selected as reference																												
		Ref15_16Vdd	15	VDD * 15/16 selected as reference																												

6.11.3.15 EXTREFSEL

Address offset: 0x50C

External reference select

Bit number	31 30 29 28 27 26 25 24 23 22 21 20 19 18 17 16 15 14 13 12 11 10 9 8 7 6 5 4 3 2 1 0																															
ID																																A
Reset 0x00000000	0 0																															
ID	Acce Field	Value ID	Value	Description																												
A	RW	EXTREFSEL		External analog reference select																												
		AnalogReference0	0	Use AINO as external analog reference																												
		AnalogReference1	1	Use AIN1 as external analog reference																												

6.11.3.16 ANADETECT

Address offset: 0x520

Analog detect configuration

Bit number	31 30 29 28 27 26 25 24 23 22 21 20 19 18 17 16 15 14 13 12 11 10 9 8 7 6 5 4 3 2 1 0																															
ID																																A A
Reset 0x00000000	0 0																															
ID	Acce Field	Value ID	Value	Description																												
A	RW	ANADETECT		Analog detect configuration																												
		Cross	0	Generate ANADETECT on crossing, both upward crossing and downward crossing																												
		Up	1	Generate ANADETECT on upward crossing only																												
		Down	2	Generate ANADETECT on downward crossing only																												

6.11.3.17 HYST

Address offset: 0x538

Comparator hysteresis enable

Bit number	31	30	29	28	27	26	25	24	23	22	21	20	19	18	17	16	15	14	13	12	11	10	9	8	7	6	5	4	3	2	1	0		
ID	A																																	
Reset	0x00000000																																	
0	0	0	0	0	0	0	0	0	0	0	0	0	0	0	0	0	0	0	0	0	0	0	0	0	0	0	0	0	0	0	0	0	0	0
ID	Acce	Field	Value	ID	Value	Description																												
A	RW	HYST				Comparator hysteresis enable																												
			Disabled	0		Comparator hysteresis disabled																												
			Enabled	1		Comparator hysteresis enabled																												

6.11.4 Electrical specification

6.11.4.1 LPCOMP Electrical Specification

Symbol	Description	Min.	Typ.	Max.	Units
t _{LPCANADET}	Time from VIN crossing (>=50 mV above threshold) to ANADETECT signal generated		5		µs
V _{INOFFSET}	Input offset including reference ladder error	-40		40	mV
V _{HYST}	Optional hysteresis		35		mV
t _{STARTUP}	Startup time for LPCOMP		140		µs

6.12 MWU — Memory watch unit

The Memory watch unit (MWU) can be used to generate events when a memory region is accessed by the CPU. The MWU can be configured to trigger events for access to Data RAM and Peripheral memory segments. The MWU allows an application developer to generate memory access events during development for debugging or during production execution for failure detection and recovery.

Listed here are the main features for MWU:

- Six memory regions, four user-configurable and two fixed regions in peripheral address space
- Flexible configuration of regions with START and END addresses
- Generate events on CPU read and/or write to a defined region of Data RAM or peripheral memory address space
- Programmable maskable or non-maskable (NMI) interrupt on events
- Peripheral interfaces can be watched for read and write access using subregions of the two fixed memory regions

Memory region	START address	END address
REGION[0..3]	Configurable	Configurable
PREGION[0]	0x40000000	0x4001FFFF
PREGION[1]	0x40020000	0x4003FFFF

Table 54: Memory regions

Each MWU region is defined by a start address and an end address, configured by the START and END registers respectively. These addresses are byte aligned and inclusive. The END register value has to be greater or equal to the START register value. Each region is associated with a pair of events that indicate that either a write access or a read access from the CPU has been detected inside the region.

For regions containing subregions (see below), a set of status registers PERREGION[0..1].SUBSTATWA and PERREGION[0..1].SUBSTATRA indicate which subregion(s) caused the EVENT_PREGION[0..1].WA and EVENT_PREGION[0..1].RA respectively.

The MWU is only able to detect memory accesses in the Data RAM and Peripheral memory segments from the CPU, see [Memory](#) on page 19 for more information about the different memory segments. EasyDMA

accesses are not monitored by the MWU. The MWU requires two HCLK cycles to detect and generate the event.

The peripheral regions, PREGION[0..1], are divided into 32 equally sized subregions, SR[0..31]. All subregions are excluded in the main region by default, and any can be included by specifying them in the SUBS register. When a subregion is excluded from the main region, the memory watch mechanism will not trigger any events when that subregion is accessed.

Subregions in PREGION[0..1] cannot be individually configured for read or write access watch. Watch configuration is only possible for a region as a whole. The PRGNiRA and PRGNiWA (i=0..1) fields in the REGIONEN register control watching read and write access.

REGION[0..3] can be individually enabled for read and/or write access watching through their respective RGNiRA and RGNiWA (i=0..3) fields in the REGIONEN register.

REGIONENSET and REGIONENCLR allow respectively enabling and disabling one or multiple REGIONS or PREGIONS watching in a single write access.

6.12.1 Registers

Base address	Peripheral	Instance	Description	Configuration
0x40020000	MWU	MWU	Memory watch unit	

Table 55: Instances

Register	Offset	Description
EVENTS_REGION[0].WA	0x100	Write access to region 0 detected
EVENTS_REGION[0].RA	0x104	Read access to region 0 detected
EVENTS_REGION[1].WA	0x108	Write access to region 1 detected
EVENTS_REGION[1].RA	0x10C	Read access to region 1 detected
EVENTS_REGION[2].WA	0x110	Write access to region 2 detected
EVENTS_REGION[2].RA	0x114	Read access to region 2 detected
EVENTS_REGION[3].WA	0x118	Write access to region 3 detected
EVENTS_REGION[3].RA	0x11C	Read access to region 3 detected
EVENTS_PREGION[0].WA	0x160	Write access to peripheral region 0 detected
EVENTS_PREGION[0].RA	0x164	Read access to peripheral region 0 detected
EVENTS_PREGION[1].WA	0x168	Write access to peripheral region 1 detected
EVENTS_PREGION[1].RA	0x16C	Read access to peripheral region 1 detected
INTEN	0x300	Enable or disable interrupt
INTENSET	0x304	Enable interrupt
INTENCLR	0x308	Disable interrupt
NMIEN	0x320	Enable or disable interrupt
NMIENSET	0x324	Enable interrupt
NMIENCLR	0x328	Disable interrupt
PERREGION[0].SUBSTATWA	0x400	Source of event/interrupt in region 0, write access detected while corresponding subregion was enabled for watching
PERREGION[0].SUBSTATRA	0x404	Source of event/interrupt in region 0, read access detected while corresponding subregion was enabled for watching
PERREGION[1].SUBSTATWA	0x408	Source of event/interrupt in region 1, write access detected while corresponding subregion was enabled for watching
PERREGION[1].SUBSTATRA	0x40C	Source of event/interrupt in region 1, read access detected while corresponding subregion was enabled for watching
REGIONEN	0x510	Enable/disable regions watch
REGIONENSET	0x514	Enable regions watch
REGIONENCLR	0x518	Disable regions watch

Register	Offset	Description
REGION[0].START	0x600	Start address for region 0
REGION[0].END	0x604	End address of region 0
REGION[1].START	0x610	Start address for region 1
REGION[1].END	0x614	End address of region 1
REGION[2].START	0x620	Start address for region 2
REGION[2].END	0x624	End address of region 2
REGION[3].START	0x630	Start address for region 3
REGION[3].END	0x634	End address of region 3
PREGION[0].START	0x6C0	Reserved for future use
PREGION[0].END	0x6C4	Reserved for future use
PREGION[0].SUBS	0x6C8	Subregions of region 0
PREGION[1].START	0x6D0	Reserved for future use
PREGION[1].END	0x6D4	Reserved for future use
PREGION[1].SUBS	0x6D8	Subregions of region 1

Table 56: Register overview

6.12.1.1 EVENTS_REGION[n].WA (n=0..3)

Address offset: $0x100 + (n \times 0x8)$

Write access to region n detected

Bit number	31 30 29 28 27 26 25 24 23 22 21 20 19 18 17 16 15 14 13 12 11 10 9 8 7 6 5 4 3 2 1 0																														
ID	A																														
Reset 0x00000000	0 0																														
ID	Acce	Field	Value ID	Value	Description																										
A	RW	WA			Write access to region n detected																										
			NotGenerated	0	Event not generated																										
			Generated	1	Event generated																										

6.12.1.2 EVENTS_REGION[n].RA (n=0..3)

Address offset: $0x104 + (n \times 0x8)$

Read access to region n detected

Bit number	31 30 29 28 27 26 25 24 23 22 21 20 19 18 17 16 15 14 13 12 11 10 9 8 7 6 5 4 3 2 1 0																														
ID	A																														
Reset 0x00000000	0 0																														
ID	Acce	Field	Value ID	Value	Description																										
A	RW	RA			Read access to region n detected																										
			NotGenerated	0	Event not generated																										
			Generated	1	Event generated																										

6.12.1.3 EVENTS_PREGION[n].WA (n=0..1)

Address offset: $0x160 + (n \times 0x8)$

Write access to peripheral region n detected

Bit number	31	30	29	28	27	26	25	24	23	22	21	20	19	18	17	16	15	14	13	12	11	10	9	8	7	6	5	4	3	2	1	0
ID																																A
Reset 0x00000000	0 0																															
ID	Acce	Field	Value ID	Value	Description																											
A	RW	WA			Write access to peripheral region n detected																											
			NotGenerated	0	Event not generated																											
			Generated	1	Event generated																											

6.12.1.4 EVENTS_PREGION[n].RA (n=0..1)

Address offset: 0x164 + (n × 0x8)

Read access to peripheral region n detected

Bit number	31	30	29	28	27	26	25	24	23	22	21	20	19	18	17	16	15	14	13	12	11	10	9	8	7	6	5	4	3	2	1	0
ID																																A
Reset 0x00000000	0 0																															
ID	Acce	Field	Value ID	Value	Description																											
A	RW	RA			Read access to peripheral region n detected																											
			NotGenerated	0	Event not generated																											
			Generated	1	Event generated																											

6.12.1.5 INTEN

Address offset: 0x300

Enable or disable interrupt

Bit number	31	30	29	28	27	26	25	24	23	22	21	20	19	18	17	16	15	14	13	12	11	10	9	8	7	6	5	4	3	2	1	0
ID											L	K	J	I											H	G	F	E	D	C	B	A
Reset 0x00000000	0 0																															
ID	Acce	Field	Value ID	Value	Description																											
A	RW	REGION0WA			Enable or disable interrupt for event REGION0WA																											
			Disabled	0	Disable																											
			Enabled	1	Enable																											
B	RW	REGION0RA			Enable or disable interrupt for event REGION0RA																											
			Disabled	0	Disable																											
			Enabled	1	Enable																											
C	RW	REGION1WA			Enable or disable interrupt for event REGION1WA																											
			Disabled	0	Disable																											
			Enabled	1	Enable																											
D	RW	REGION1RA			Enable or disable interrupt for event REGION1RA																											
			Disabled	0	Disable																											
			Enabled	1	Enable																											
E	RW	REGION2WA			Enable or disable interrupt for event REGION2WA																											
			Disabled	0	Disable																											
			Enabled	1	Enable																											
F	RW	REGION2RA			Enable or disable interrupt for event REGION2RA																											
			Disabled	0	Disable																											
			Enabled	1	Enable																											
G	RW	REGION3WA			Enable or disable interrupt for event REGION3WA																											
			Disabled	0	Disable																											
			Enabled	1	Enable																											
H	RW	REGION3RA			Enable or disable interrupt for event REGION3RA																											
			Disabled	0	Disable																											

Bit number	31 30 29 28 27 26 25 24 23 22 21 20 19 18 17 16 15 14 13 12 11 10 9 8 7 6 5 4 3 2 1 0																														
ID	L K J I															H G F E D C B A															
Reset 0x00000000	0 0																														
ID	Acce Field	Value ID	Value	Description																											
		Enabled	1	Enable																											
I	RW PREGION0WA			Enable or disable interrupt for event PREGION0WA																											
		Disabled	0	Disable																											
		Enabled	1	Enable																											
J	RW PREGION0RA			Enable or disable interrupt for event PREGION0RA																											
		Disabled	0	Disable																											
		Enabled	1	Enable																											
K	RW PREGION1WA			Enable or disable interrupt for event PREGION1WA																											
		Disabled	0	Disable																											
		Enabled	1	Enable																											
L	RW PREGION1RA			Enable or disable interrupt for event PREGION1RA																											
		Disabled	0	Disable																											
		Enabled	1	Enable																											

6.12.1.6 INTENSET

Address offset: 0x304

Enable interrupt

Bit number	31 30 29 28 27 26 25 24 23 22 21 20 19 18 17 16 15 14 13 12 11 10 9 8 7 6 5 4 3 2 1 0																														
ID	L K J I															H G F E D C B A															
Reset 0x00000000	0 0																														
ID	Acce Field	Value ID	Value	Description																											
A	RW REGION0WA			Write '1' to enable interrupt for event REGION0WA																											
		Set	1	Enable																											
		Disabled	0	Read: Disabled																											
		Enabled	1	Read: Enabled																											
B	RW REGION0RA			Write '1' to enable interrupt for event REGION0RA																											
		Set	1	Enable																											
		Disabled	0	Read: Disabled																											
		Enabled	1	Read: Enabled																											
C	RW REGION1WA			Write '1' to enable interrupt for event REGION1WA																											
		Set	1	Enable																											
		Disabled	0	Read: Disabled																											
		Enabled	1	Read: Enabled																											
D	RW REGION1RA			Write '1' to enable interrupt for event REGION1RA																											
		Set	1	Enable																											
		Disabled	0	Read: Disabled																											
		Enabled	1	Read: Enabled																											
E	RW REGION2WA			Write '1' to enable interrupt for event REGION2WA																											
		Set	1	Enable																											
		Disabled	0	Read: Disabled																											
		Enabled	1	Read: Enabled																											
F	RW REGION2RA			Write '1' to enable interrupt for event REGION2RA																											
		Set	1	Enable																											
		Disabled	0	Read: Disabled																											
		Enabled	1	Read: Enabled																											
G	RW REGION3WA			Write '1' to enable interrupt for event REGION3WA																											
		Set	1	Enable																											

Bit number		31 30 29 28 27 26 25 24 23 22 21 20 19 18 17 16 15 14 13 12 11 10 9 8 7 6 5 4 3 2 1 0																															
ID		L K J I																H G F E D C B A															
Reset 0x00000000		0 0																															
ID	Acce Field	Value ID	Value	Description																													
		Disabled	0	Read: Disabled																													
		Enabled	1	Read: Enabled																													
H	RW REGION3RA			Write '1' to enable interrupt for event REGION3RA																													
		Set	1	Enable																													
		Disabled	0	Read: Disabled																													
		Enabled	1	Read: Enabled																													
I	RW PREGION0WA			Write '1' to enable interrupt for event PREGION0WA																													
		Set	1	Enable																													
		Disabled	0	Read: Disabled																													
		Enabled	1	Read: Enabled																													
J	RW PREGION0RA			Write '1' to enable interrupt for event PREGION0RA																													
		Set	1	Enable																													
		Disabled	0	Read: Disabled																													
		Enabled	1	Read: Enabled																													
K	RW PREGION1WA			Write '1' to enable interrupt for event PREGION1WA																													
		Set	1	Enable																													
		Disabled	0	Read: Disabled																													
		Enabled	1	Read: Enabled																													
L	RW PREGION1RA			Write '1' to enable interrupt for event PREGION1RA																													
		Set	1	Enable																													
		Disabled	0	Read: Disabled																													
		Enabled	1	Read: Enabled																													

6.12.1.7 INTENCLR

Address offset: 0x308

Disable interrupt

Bit number		31 30 29 28 27 26 25 24 23 22 21 20 19 18 17 16 15 14 13 12 11 10 9 8 7 6 5 4 3 2 1 0																															
ID		L K J I																H G F E D C B A															
Reset 0x00000000		0 0																															
ID	Acce Field	Value ID	Value	Description																													
A	RW REGION0WA			Write '1' to disable interrupt for event REGION0WA																													
		Clear	1	Disable																													
		Disabled	0	Read: Disabled																													
		Enabled	1	Read: Enabled																													
B	RW REGION0RA			Write '1' to disable interrupt for event REGION0RA																													
		Clear	1	Disable																													
		Disabled	0	Read: Disabled																													
		Enabled	1	Read: Enabled																													
C	RW REGION1WA			Write '1' to disable interrupt for event REGION1WA																													
		Clear	1	Disable																													
		Disabled	0	Read: Disabled																													
		Enabled	1	Read: Enabled																													
D	RW REGION1RA			Write '1' to disable interrupt for event REGION1RA																													
		Clear	1	Disable																													
		Disabled	0	Read: Disabled																													
		Enabled	1	Read: Enabled																													
E	RW REGION2WA			Write '1' to disable interrupt for event REGION2WA																													

Bit number	31 30 29 28 27 26 25 24 23 22 21 20 19 18 17 16 15 14 13 12 11 10 9 8 7 6 5 4 3 2 1 0																														
ID	L K J I																H G F E D C B A														
Reset 0x00000000	0 0																														
ID	Acce Field	Value ID	Value	Description																											
		Clear	1	Disable																											
		Disabled	0	Read: Disabled																											
		Enabled	1	Read: Enabled																											
F	RW REGION2RA			Write '1' to disable interrupt for event REGION2RA																											
		Clear	1	Disable																											
		Disabled	0	Read: Disabled																											
		Enabled	1	Read: Enabled																											
G	RW REGION3WA			Write '1' to disable interrupt for event REGION3WA																											
		Clear	1	Disable																											
		Disabled	0	Read: Disabled																											
		Enabled	1	Read: Enabled																											
H	RW REGION3RA			Write '1' to disable interrupt for event REGION3RA																											
		Clear	1	Disable																											
		Disabled	0	Read: Disabled																											
		Enabled	1	Read: Enabled																											
I	RW PREGION0WA			Write '1' to disable interrupt for event PREGION0WA																											
		Clear	1	Disable																											
		Disabled	0	Read: Disabled																											
		Enabled	1	Read: Enabled																											
J	RW PREGION0RA			Write '1' to disable interrupt for event PREGION0RA																											
		Clear	1	Disable																											
		Disabled	0	Read: Disabled																											
		Enabled	1	Read: Enabled																											
K	RW PREGION1WA			Write '1' to disable interrupt for event PREGION1WA																											
		Clear	1	Disable																											
		Disabled	0	Read: Disabled																											
		Enabled	1	Read: Enabled																											
L	RW PREGION1RA			Write '1' to disable interrupt for event PREGION1RA																											
		Clear	1	Disable																											
		Disabled	0	Read: Disabled																											
		Enabled	1	Read: Enabled																											

6.12.1.8 NMIEN

Address offset: 0x320

Enable or disable interrupt

Bit number	31 30 29 28 27 26 25 24 23 22 21 20 19 18 17 16 15 14 13 12 11 10 9 8 7 6 5 4 3 2 1 0																														
ID	L K J I																H G F E D C B A														
Reset 0x00000000	0 0																														
ID	Acce Field	Value ID	Value	Description																											
A	RW REGION0WA			Enable or disable interrupt for event REGION0WA																											
		Disabled	0	Disable																											
		Enabled	1	Enable																											
B	RW REGION0RA			Enable or disable interrupt for event REGION0RA																											
		Disabled	0	Disable																											
		Enabled	1	Enable																											
C	RW REGION1WA			Enable or disable interrupt for event REGION1WA																											
		Disabled	0	Disable																											

Bit number	31 30 29 28 27 26 25 24 23 22 21 20 19 18 17 16 15 14 13 12 11 10 9 8 7 6 5 4 3 2 1 0																														
ID	L K J I																				H G F E D C B A										
Reset	0x00000000																														
ID	Acce Field	Value ID	Value	Description																											
		Enabled	1	Enable																											
D	RW REGION1RA	Enabled	1	Enable or disable interrupt for event REGION1RA																											
		Disabled	0	Disable																											
		Enabled	1	Enable																											
E	RW REGION2WA	Enabled	1	Enable or disable interrupt for event REGION2WA																											
		Disabled	0	Disable																											
		Enabled	1	Enable																											
F	RW REGION2RA	Enabled	1	Enable or disable interrupt for event REGION2RA																											
		Disabled	0	Disable																											
		Enabled	1	Enable																											
G	RW REGION3WA	Enabled	1	Enable or disable interrupt for event REGION3WA																											
		Disabled	0	Disable																											
		Enabled	1	Enable																											
H	RW REGION3RA	Enabled	1	Enable or disable interrupt for event REGION3RA																											
		Disabled	0	Disable																											
		Enabled	1	Enable																											
I	RW PREGION0WA	Enabled	1	Enable or disable interrupt for event PREGION0WA																											
		Disabled	0	Disable																											
		Enabled	1	Enable																											
J	RW PREGION0RA	Enabled	1	Enable or disable interrupt for event PREGION0RA																											
		Disabled	0	Disable																											
		Enabled	1	Enable																											
K	RW PREGION1WA	Enabled	1	Enable or disable interrupt for event PREGION1WA																											
		Disabled	0	Disable																											
		Enabled	1	Enable																											
L	RW PREGION1RA	Enabled	1	Enable or disable interrupt for event PREGION1RA																											
		Disabled	0	Disable																											
		Enabled	1	Enable																											

6.12.1.9 NMIENSET

Address offset: 0x324

Enable interrupt

Bit number	31 30 29 28 27 26 25 24 23 22 21 20 19 18 17 16 15 14 13 12 11 10 9 8 7 6 5 4 3 2 1 0																														
ID	L K J I																				H G F E D C B A										
Reset	0x00000000																														
ID	Acce Field	Value ID	Value	Description																											
A	RW REGION0WA	Set	1	Write '1' to enable interrupt for event REGION0WA																											
		Disabled	0	Read: Disabled																											
		Enabled	1	Read: Enabled																											
B	RW REGION0RA	Set	1	Write '1' to enable interrupt for event REGION0RA																											
		Disabled	0	Read: Disabled																											
		Enabled	1	Read: Enabled																											
C	RW REGION1WA	Set	1	Write '1' to enable interrupt for event REGION1WA																											
		Disabled	0	Read: Disabled																											

Bit number	31 30 29 28 27 26 25 24 23 22 21 20 19 18 17 16 15 14 13 12 11 10 9 8 7 6 5 4 3 2 1 0																														
ID	L K J I																				H G F E D C B A										
Reset	0x00000000																														
ID	Acce	Field	Value ID	Value	Description																										
			Enabled	1	Read: Enabled																										
D	RW	REGION1RA	Set	1	Write '1' to enable interrupt for event REGION1RA																										
			Disabled	0	Enable																										
			Enabled	1	Read: Disabled																										
E	RW	REGION2WA	Set	1	Write '1' to enable interrupt for event REGION2WA																										
			Disabled	0	Enable																										
			Enabled	1	Read: Disabled																										
F	RW	REGION2RA	Set	1	Write '1' to enable interrupt for event REGION2RA																										
			Disabled	0	Enable																										
			Enabled	1	Read: Disabled																										
G	RW	REGION3WA	Set	1	Write '1' to enable interrupt for event REGION3WA																										
			Disabled	0	Enable																										
			Enabled	1	Read: Disabled																										
H	RW	REGION3RA	Set	1	Write '1' to enable interrupt for event REGION3RA																										
			Disabled	0	Enable																										
			Enabled	1	Read: Disabled																										
I	RW	PREGION0WA	Set	1	Write '1' to enable interrupt for event PREGION0WA																										
			Disabled	0	Enable																										
			Enabled	1	Read: Disabled																										
J	RW	PREGION0RA	Set	1	Write '1' to enable interrupt for event PREGION0RA																										
			Disabled	0	Enable																										
			Enabled	1	Read: Disabled																										
K	RW	PREGION1WA	Set	1	Write '1' to enable interrupt for event PREGION1WA																										
			Disabled	0	Enable																										
			Enabled	1	Read: Disabled																										
L	RW	PREGION1RA	Set	1	Write '1' to enable interrupt for event PREGION1RA																										
			Disabled	0	Enable																										
			Enabled	1	Read: Disabled																										

6.12.1.10 NMIENCLR

Address offset: 0x328

Disable interrupt

Bit number	31 30 29 28 27 26 25 24 23 22 21 20 19 18 17 16 15 14 13 12 11 10 9 8 7 6 5 4 3 2 1 0																														
ID	L K J I																				H G F E D C B A										
Reset	0x00000000																														
ID	Acce	Field	Value ID	Value	Description																										
A	RW	REGION0WA	Clear	1	Write '1' to disable interrupt for event REGION0WA																										
					Disable																										

Bit number		31 30 29 28 27 26 25 24 23 22 21 20 19 18 17 16 15 14 13 12 11 10 9 8 7 6 5 4 3 2 1 0																											
ID		L K J I																H G F E D C B A											
Reset 0x00000000		0 0																											
ID	Acce Field	Value ID	Value	Description																									
		Disabled	0	Read: Disabled																									
		Enabled	1	Read: Enabled																									
B	RW REGION0RA			Write '1' to disable interrupt for event REGION0RA																									
		Clear	1	Disable																									
		Disabled	0	Read: Disabled																									
		Enabled	1	Read: Enabled																									
C	RW REGION1WA			Write '1' to disable interrupt for event REGION1WA																									
		Clear	1	Disable																									
		Disabled	0	Read: Disabled																									
		Enabled	1	Read: Enabled																									
D	RW REGION1RA			Write '1' to disable interrupt for event REGION1RA																									
		Clear	1	Disable																									
		Disabled	0	Read: Disabled																									
		Enabled	1	Read: Enabled																									
E	RW REGION2WA			Write '1' to disable interrupt for event REGION2WA																									
		Clear	1	Disable																									
		Disabled	0	Read: Disabled																									
		Enabled	1	Read: Enabled																									
F	RW REGION2RA			Write '1' to disable interrupt for event REGION2RA																									
		Clear	1	Disable																									
		Disabled	0	Read: Disabled																									
		Enabled	1	Read: Enabled																									
G	RW REGION3WA			Write '1' to disable interrupt for event REGION3WA																									
		Clear	1	Disable																									
		Disabled	0	Read: Disabled																									
		Enabled	1	Read: Enabled																									
H	RW REGION3RA			Write '1' to disable interrupt for event REGION3RA																									
		Clear	1	Disable																									
		Disabled	0	Read: Disabled																									
		Enabled	1	Read: Enabled																									
I	RW PREGION0WA			Write '1' to disable interrupt for event PREGION0WA																									
		Clear	1	Disable																									
		Disabled	0	Read: Disabled																									
		Enabled	1	Read: Enabled																									
J	RW PREGION0RA			Write '1' to disable interrupt for event PREGION0RA																									
		Clear	1	Disable																									
		Disabled	0	Read: Disabled																									
		Enabled	1	Read: Enabled																									
K	RW PREGION1WA			Write '1' to disable interrupt for event PREGION1WA																									
		Clear	1	Disable																									
		Disabled	0	Read: Disabled																									
		Enabled	1	Read: Enabled																									
L	RW PREGION1RA			Write '1' to disable interrupt for event PREGION1RA																									
		Clear	1	Disable																									
		Disabled	0	Read: Disabled																									
		Enabled	1	Read: Enabled																									

6.12.1.11 PERREGION[n].SUBSTATWA (n=0..1)

Address offset: 0x400 + (n × 0x8)

Source of event/interrupt in region n, write access detected while corresponding subregion was enabled for watching

Bit number	31 30 29 28 27 26 25 24 23 22 21 20 19 18 17 16 15 14 13 12 11 10 9 8 7 6 5 4 3 2 1 0																														
ID	f e d c b a z y x w v u t s r q p o n m l k j i h g f e d c b a																														
Reset 0x00000000	0 0																														
ID	Acce Field	Value ID	Value	Description																											
A-f	RW SR[i] (i=0..31)			Subregion i in region n (write '1' to clear)																											
		NoAccess	0	No write access occurred in this subregion																											
		Access	1	Write access(es) occurred in this subregion																											

6.12.1.12 PERREGION[n].SUBSTATRA (n=0..1)

Address offset: 0x404 + (n × 0x8)

Source of event/interrupt in region n, read access detected while corresponding subregion was enabled for watching

Bit number	31 30 29 28 27 26 25 24 23 22 21 20 19 18 17 16 15 14 13 12 11 10 9 8 7 6 5 4 3 2 1 0																														
ID	f e d c b a z y x w v u t s r q p o n m l k j i h g f e d c b a																														
Reset 0x00000000	0 0																														
ID	Acce Field	Value ID	Value	Description																											
A-f	RW SR[i] (i=0..31)			Subregion i in region n (write '1' to clear)																											
		NoAccess	0	No read access occurred in this subregion																											
		Access	1	Read access(es) occurred in this subregion																											

6.12.1.13 REGIONEN

Address offset: 0x510

Enable/disable regions watch

Bit number	31 30 29 28 27 26 25 24 23 22 21 20 19 18 17 16 15 14 13 12 11 10 9 8 7 6 5 4 3 2 1 0																														
ID	L K J I																H G F E D C B A														
Reset 0x00000000	0 0																														
ID	Acce Field	Value ID	Value	Description																											
A	RW RGN0WA			Enable/disable write access watch in region[0]																											
		Disable	0	Disable write access watch in this region																											
		Enable	1	Enable write access watch in this region																											
B	RW RGN0RA			Enable/disable read access watch in region[0]																											
		Disable	0	Disable read access watch in this region																											
		Enable	1	Enable read access watch in this region																											
C	RW RGN1WA			Enable/disable write access watch in region[1]																											
		Disable	0	Disable write access watch in this region																											
		Enable	1	Enable write access watch in this region																											
D	RW RGN1RA			Enable/disable read access watch in region[1]																											
		Disable	0	Disable read access watch in this region																											
		Enable	1	Enable read access watch in this region																											
E	RW RGN2WA			Enable/disable write access watch in region[2]																											
		Disable	0	Disable write access watch in this region																											
		Enable	1	Enable write access watch in this region																											
F	RW RGN2RA			Enable/disable read access watch in region[2]																											
		Disable	0	Disable read access watch in this region																											
		Enable	1	Enable read access watch in this region																											

Bit number	31 30 29 28 27 26 25 24 23 22 21 20 19 18 17 16 15 14 13 12 11 10 9 8 7 6 5 4 3 2 1 0																														
ID	L K J I																H G F E D C B A														
Reset 0x00000000	0 0																														
ID	Acce Field	Value ID	Value	Description																											
G	RW RGN3WA			Enable/disable write access watch in region[3]																											
		Disable	0	Disable write access watch in this region																											
		Enable	1	Enable write access watch in this region																											
H	RW RGN3RA			Enable/disable read access watch in region[3]																											
		Disable	0	Disable read access watch in this region																											
		Enable	1	Enable read access watch in this region																											
I	RW PRGN0WA			Enable/disable write access watch in PREGION[0]																											
		Disable	0	Disable write access watch in this PREGION																											
		Enable	1	Enable write access watch in this PREGION																											
J	RW PRGN0RA			Enable/disable read access watch in PREGION[0]																											
		Disable	0	Disable read access watch in this PREGION																											
		Enable	1	Enable read access watch in this PREGION																											
K	RW PRGN1WA			Enable/disable write access watch in PREGION[1]																											
		Disable	0	Disable write access watch in this PREGION																											
		Enable	1	Enable write access watch in this PREGION																											
L	RW PRGN1RA			Enable/disable read access watch in PREGION[1]																											
		Disable	0	Disable read access watch in this PREGION																											
		Enable	1	Enable read access watch in this PREGION																											

6.12.1.14 REGIONENSET

Address offset: 0x514

Enable regions watch

Bit number	31 30 29 28 27 26 25 24 23 22 21 20 19 18 17 16 15 14 13 12 11 10 9 8 7 6 5 4 3 2 1 0																														
ID	L K J I																H G F E D C B A														
Reset 0x00000000	0 0																														
ID	Acce Field	Value ID	Value	Description																											
A	RW RGN0WA			Enable write access watch in region[0]																											
		Set	1	Enable write access watch in this region																											
		Disabled	0	Write access watch in this region is disabled																											
		Enabled	1	Write access watch in this region is enabled																											
B	RW RGN0RA			Enable read access watch in region[0]																											
		Set	1	Enable read access watch in this region																											
		Disabled	0	Read access watch in this region is disabled																											
		Enabled	1	Read access watch in this region is enabled																											
C	RW RGN1WA			Enable write access watch in region[1]																											
		Set	1	Enable write access watch in this region																											
		Disabled	0	Write access watch in this region is disabled																											
		Enabled	1	Write access watch in this region is enabled																											
D	RW RGN1RA			Enable read access watch in region[1]																											
		Set	1	Enable read access watch in this region																											
		Disabled	0	Read access watch in this region is disabled																											
		Enabled	1	Read access watch in this region is enabled																											
E	RW RGN2WA			Enable write access watch in region[2]																											
		Set	1	Enable write access watch in this region																											
		Disabled	0	Write access watch in this region is disabled																											
		Enabled	1	Write access watch in this region is enabled																											
F	RW RGN2RA			Enable read access watch in region[2]																											

Bit number	31 30 29 28 27 26 25 24 23 22 21 20 19 18 17 16 15 14 13 12 11 10 9 8 7 6 5 4 3 2 1 0																														
ID	L K J I																				H G F E D C B A										
Reset 0x00000000	0 0																														
ID	Acce Field	Value ID	Value	Description																											
		Set	1	Enable read access watch in this region																											
		Disabled	0	Read access watch in this region is disabled																											
		Enabled	1	Read access watch in this region is enabled																											
G	RW RGN3WA			Enable write access watch in region[3]																											
		Set	1	Enable write access watch in this region																											
		Disabled	0	Write access watch in this region is disabled																											
		Enabled	1	Write access watch in this region is enabled																											
		H	RW RGN3RA			Enable read access watch in region[3]																									
				Set	1	Enable read access watch in this region																									
Disabled	0			Read access watch in this region is disabled																											
		Enabled	1	Read access watch in this region is enabled																											
		I	RW PRGNOWA			Enable write access watch in PREGION[0]																									
				Set	1	Enable write access watch in this PREGION																									
Disabled	0			Write access watch in this PREGION is disabled																											
		Enabled	1	Write access watch in this PREGION is enabled																											
		J	RW PRGNORA			Enable read access watch in PREGION[0]																									
				Set	1	Enable read access watch in this PREGION																									
Disabled	0			Read access watch in this PREGION is disabled																											
		Enabled	1	Read access watch in this PREGION is enabled																											
		K	RW PRGN1WA			Enable write access watch in PREGION[1]																									
				Set	1	Enable write access watch in this PREGION																									
Disabled	0			Write access watch in this PREGION is disabled																											
		Enabled	1	Write access watch in this PREGION is enabled																											
		L	RW PRGN1RA			Enable read access watch in PREGION[1]																									
				Set	1	Enable read access watch in this PREGION																									
Disabled	0			Read access watch in this PREGION is disabled																											
		Enabled	1	Read access watch in this PREGION is enabled																											

6.12.1.15 REGIONENCLR

Address offset: 0x518

Disable regions watch

Bit number	31 30 29 28 27 26 25 24 23 22 21 20 19 18 17 16 15 14 13 12 11 10 9 8 7 6 5 4 3 2 1 0																														
ID	L K J I																				H G F E D C B A										
Reset 0x00000000	0 0																														
ID	Acce Field	Value ID	Value	Description																											
A	RW RGN0WA			Disable write access watch in region[0]																											
		Clear	1	Disable write access watch in this region																											
		Disabled	0	Write access watch in this region is disabled																											
		Enabled	1	Write access watch in this region is enabled																											
		B	RW RGN0RA			Disable read access watch in region[0]																									
				Clear	1	Disable read access watch in this region																									
Disabled	0			Read access watch in this region is disabled																											
		Enabled	1	Read access watch in this region is enabled																											
		C	RW RGN1WA			Disable write access watch in region[1]																									
				Clear	1	Disable write access watch in this region																									
Disabled	0			Write access watch in this region is disabled																											
		Enabled	1	Write access watch in this region is enabled																											

Bit number	31 30 29 28 27 26 25 24 23 22 21 20 19 18 17 16 15 14 13 12 11 10 9 8 7 6 5 4 3 2 1 0																														
ID	L K J I																				H G F E D C B A										
Reset 0x00000000	0 0																														
ID	Acce Field	Value ID	Value	Description																											
D	RW RGN1RA			Disable read access watch in region[1]																											
		Clear	1	Disable read access watch in this region																											
		Disabled	0	Read access watch in this region is disabled																											
		Enabled	1	Read access watch in this region is enabled																											
E	RW RGN2WA			Disable write access watch in region[2]																											
		Clear	1	Disable write access watch in this region																											
		Disabled	0	Write access watch in this region is disabled																											
		Enabled	1	Write access watch in this region is enabled																											
F	RW RGN2RA			Disable read access watch in region[2]																											
		Clear	1	Disable read access watch in this region																											
		Disabled	0	Read access watch in this region is disabled																											
		Enabled	1	Read access watch in this region is enabled																											
G	RW RGN3WA			Disable write access watch in region[3]																											
		Clear	1	Disable write access watch in this region																											
		Disabled	0	Write access watch in this region is disabled																											
		Enabled	1	Write access watch in this region is enabled																											
H	RW RGN3RA			Disable read access watch in region[3]																											
		Clear	1	Disable read access watch in this region																											
		Disabled	0	Read access watch in this region is disabled																											
		Enabled	1	Read access watch in this region is enabled																											
I	RW PRGNOWA			Disable write access watch in PREGION[0]																											
		Clear	1	Disable write access watch in this PREGION																											
		Disabled	0	Write access watch in this PREGION is disabled																											
		Enabled	1	Write access watch in this PREGION is enabled																											
J	RW PRGNORA			Disable read access watch in PREGION[0]																											
		Clear	1	Disable read access watch in this PREGION																											
		Disabled	0	Read access watch in this PREGION is disabled																											
		Enabled	1	Read access watch in this PREGION is enabled																											
K	RW PRGN1WA			Disable write access watch in PREGION[1]																											
		Clear	1	Disable write access watch in this PREGION																											
		Disabled	0	Write access watch in this PREGION is disabled																											
		Enabled	1	Write access watch in this PREGION is enabled																											
L	RW PRGN1RA			Disable read access watch in PREGION[1]																											
		Clear	1	Disable read access watch in this PREGION																											
		Disabled	0	Read access watch in this PREGION is disabled																											
		Enabled	1	Read access watch in this PREGION is enabled																											

6.12.1.16 REGION[n].START (n=0..3)

Address offset: $0x600 + (n \times 0x10)$

Start address for region n

Bit number	31 30 29 28 27 26 25 24 23 22 21 20 19 18 17 16 15 14 13 12 11 10 9 8 7 6 5 4 3 2 1 0																														
ID	A A																														
Reset 0x00000000	0 0																														
ID	Acce Field	Value ID	Value	Description																											
A	RW START			Start address for region																											

6.12.1.17 REGION[n].END (n=0..3)

Address offset: $0x604 + (n \times 0x10)$

End address of region n

Bit number	31	30	29	28	27	26	25	24	23	22	21	20	19	18	17	16	15	14	13	12	11	10	9	8	7	6	5	4	3	2	1	0
ID	A	A	A	A	A	A	A	A	A	A	A	A	A	A	A	A	A	A	A	A	A	A	A	A	A	A	A	A	A	A	A	A
Reset 0x00000000	0	0	0	0	0	0	0	0	0	0	0	0	0	0	0	0	0	0	0	0	0	0	0	0	0	0	0	0	0	0	0	0
ID	Acce	Field	Value ID	Value	Description																											
A	RW	END			End address of region.																											

6.12.1.18 PREGION[n].START (n=0..1)

Address offset: $0x6C0 + (n \times 0x10)$

Reserved for future use

Bit number	31	30	29	28	27	26	25	24	23	22	21	20	19	18	17	16	15	14	13	12	11	10	9	8	7	6	5	4	3	2	1	0
ID	A	A	A	A	A	A	A	A	A	A	A	A	A	A	A	A	A	A	A	A	A	A	A	A	A	A	A	A	A	A	A	A
Reset 0x00000000	0	0	0	0	0	0	0	0	0	0	0	0	0	0	0	0	0	0	0	0	0	0	0	0	0	0	0	0	0	0	0	0
ID	Acce	Field	Value ID	Value	Description																											
A	R	START			Reserved for future use																											

6.12.1.19 PREGION[n].END (n=0..1)

Address offset: $0x6C4 + (n \times 0x10)$

Reserved for future use

Bit number	31	30	29	28	27	26	25	24	23	22	21	20	19	18	17	16	15	14	13	12	11	10	9	8	7	6	5	4	3	2	1	0
ID	A	A	A	A	A	A	A	A	A	A	A	A	A	A	A	A	A	A	A	A	A	A	A	A	A	A	A	A	A	A	A	A
Reset 0x00000000	0	0	0	0	0	0	0	0	0	0	0	0	0	0	0	0	0	0	0	0	0	0	0	0	0	0	0	0	0	0	0	0
ID	Acce	Field	Value ID	Value	Description																											
A	R	END			Reserved for future use																											

6.12.1.20 PREGION[n].SUBS (n=0..1)

Address offset: $0x6C8 + (n \times 0x10)$

Subregions of region n

Bit number	31	30	29	28	27	26	25	24	23	22	21	20	19	18	17	16	15	14	13	12	11	10	9	8	7	6	5	4	3	2	1	0
ID	f	e	d	c	b	a	Z	Y	X	W	V	U	T	S	R	Q	P	O	N	M	L	K	J	I	H	G	F	E	D	C	B	A
Reset 0x00000000	0	0	0	0	0	0	0	0	0	0	0	0	0	0	0	0	0	0	0	0	0	0	0	0	0	0	0	0	0	0	0	0
ID	Acce	Field	Value ID	Value	Description																											
A-f	RW	SR[i] (i=0..31)			Include or exclude subregion i in region																											
			Exclude	0	Exclude																											
			Include	1	Include																											

6.13 NFCT — Near field communication tag

The NFCT peripheral is an implementation of an NFC Forum compliant listening device NFC-A.

With appropriate software, the NFCT peripheral can be used as the listening device NFC-A as specified by the [NFC Forum](#).

Listed here are the main features for the NFCT peripheral:

- NFC-A listen mode operation
 - 13.56 MHz input frequency
 - Bit rate 106 kbps
- Wake-on-field low power field detection (SENSE) mode
- Frame assemble and disassemble for the NFC-A frames specified by the NFC Forum
- Programmable frame timing controller
- Integrated automatic collision resolution, cyclic redundancy check (CRC), and parity functions

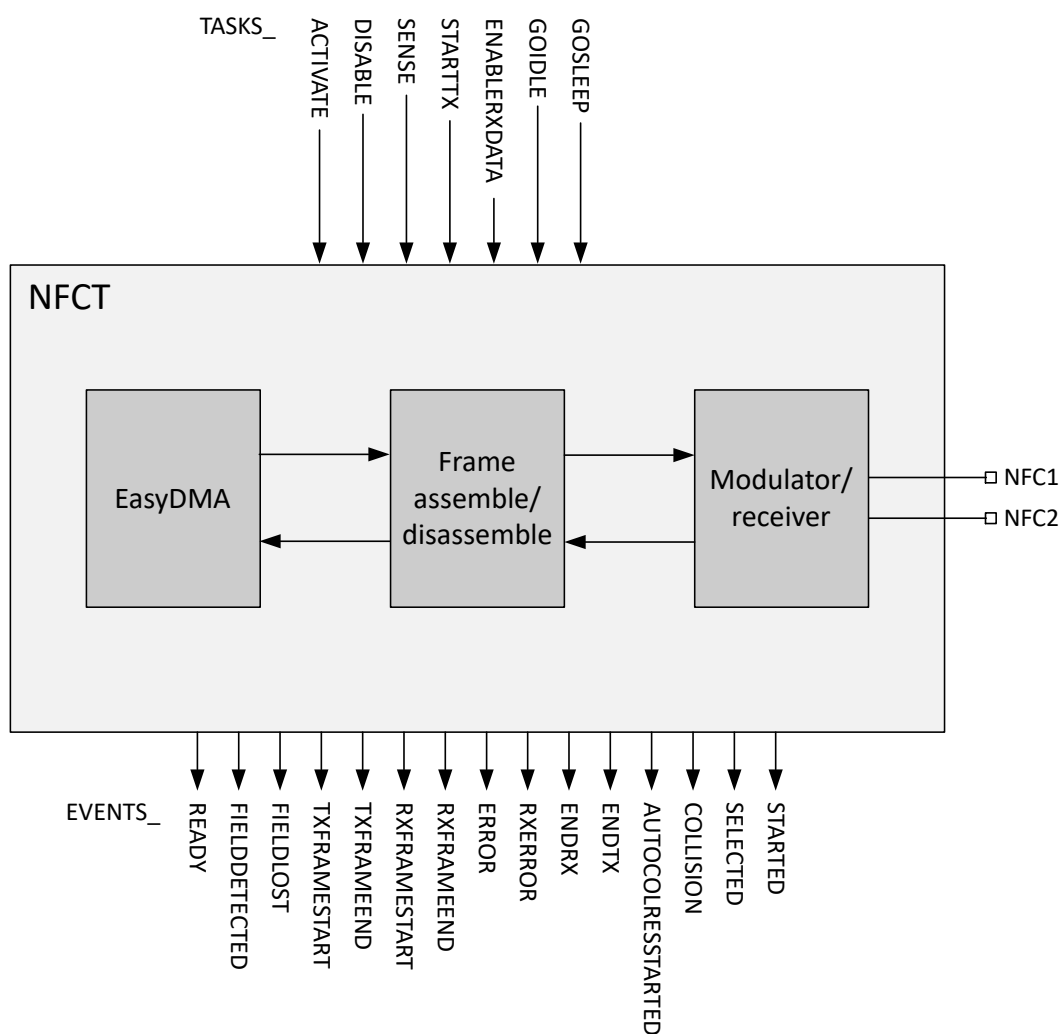


Figure 60: NFCT block diagram

6.13.1 Overview

The NFCT peripheral contains a 13.56 MHz AM receiver and a 13.56 MHz load modulator with 106 kbps data rate as defined by the NFC Forum.

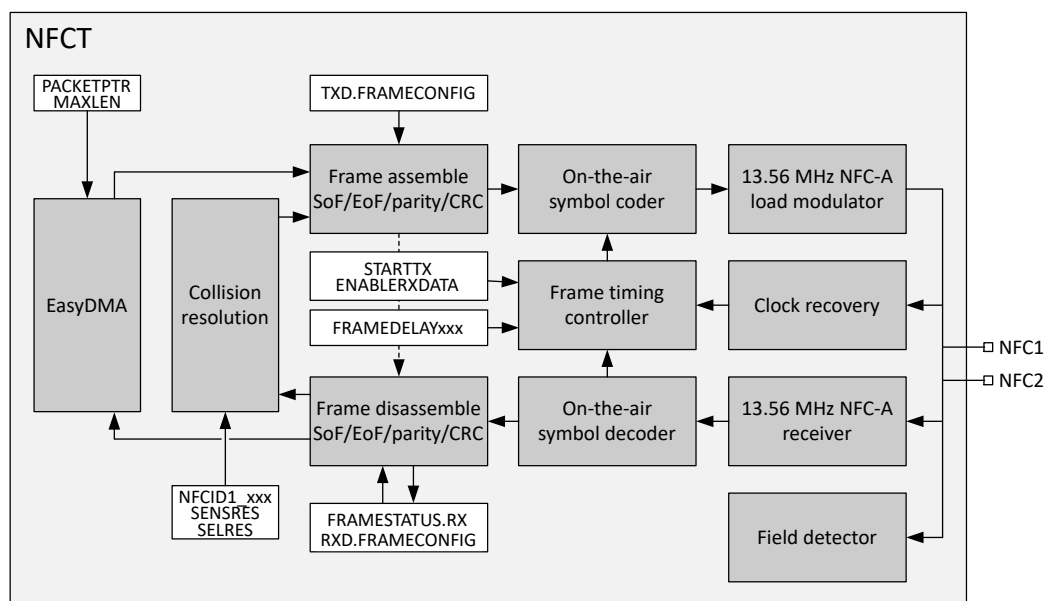


Figure 61: NFCT overview

When transmitting, the frame data will be transferred directly from RAM and transmitted with configurable frame type and delay timing. The system will be notified by an event whenever a complete frame is received or sent. The received frames will be automatically disassembled and the data part of the frame transferred to RAM.

The NFCT peripheral also supports the collision detection and resolution ("anticollision") as defined by the NFC Forum.

Wake-on-field is supported in SENSE mode while the device is either in System OFF or System ON mode. When the antenna enters an NFC field, an event will be triggered notifying the system to activate the NFCT functionality for incoming frames. In System ON, if the energy detected at the antenna increases beyond a threshold value, the module will generate a **FIELDDETECTED** event. When the strength of the field no longer supports NFC communication, the module will generate a **FIELDLOST** event. For the Low Power Field Detect threshold values, refer to [NFCT Electrical Specification](#) on page 227.

In System OFF, the NFCT Low Power Field Detect function can wake the system up through a reset. See [RESETREAS](#) on page 75 for more information on how to detect a wakeup from NFCT.

If the system is put into System OFF mode while a field is already present, the NFCT Low Power Field Detect function will wake the system up right away and generate a reset.

Important: As a consequence of a reset, NFCT is disabled, and therefore the reset handler will have to activate NFCT again and set it up properly.

The HFXO must be running before the NFCT peripheral goes into ACTIVATED state. Note that the NFCT peripheral calibration is automatically done on **ACTIVATE** task. The HFXO can be turned off when the NFCT peripheral goes into SENSE mode. The shortcut **FIELDDETECTED_ACTIVATE** can be used when the HFXO is already running while in SENSE mode.

Outgoing data will be collected from RAM with the EasyDMA function and assembled according to the [TXD.FRAMECONFIG](#) on page 222 register. Incoming data will be disassembled according to the [RXD.FRAMECONFIG](#) register and the data section in the frame will be written to RAM via the EasyDMA function.

The NFCT peripheral includes a frame timing controller that can be used to accurately control the inter-frame delay between the incoming frame and a corresponding outgoing frame. It also includes optional CRC functionality.

6.13.2 Operating states

Tasks and events are used to control the operating state of the peripheral. The module can change state by triggering a task, or when specific operations are finalized. Events and tasks allow software to keep track of and change the current state.

See [NFCT block diagram](#) on page 198 and [NFCT state diagram, automatic collision resolution enabled](#) on page 200 for more information. See *NFC Forum, NFC Activity Technical Specification* for description on NFCT operating states.

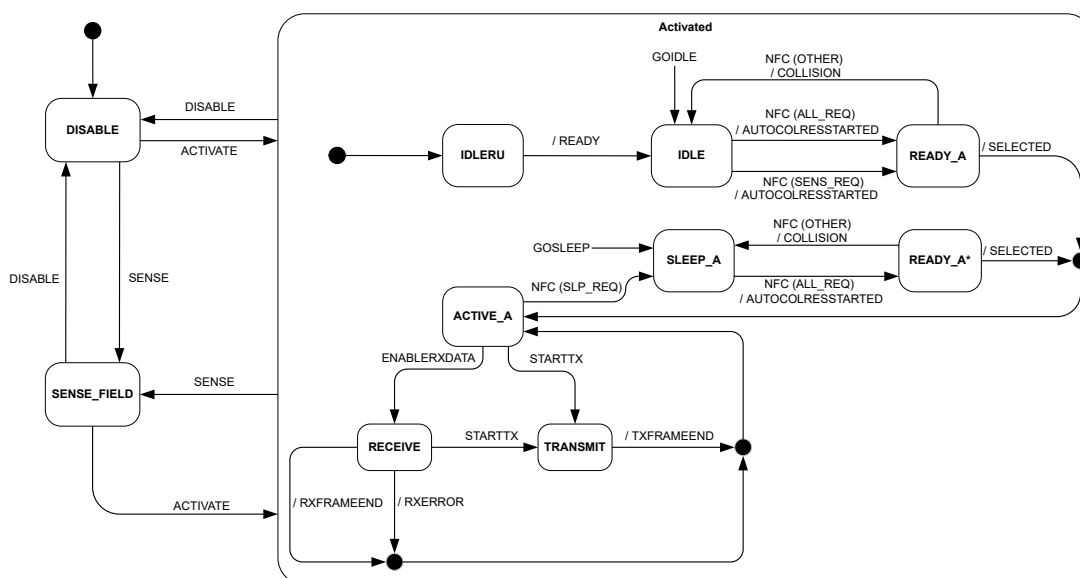


Figure 62: NFCT state diagram, automatic collision resolution enabled

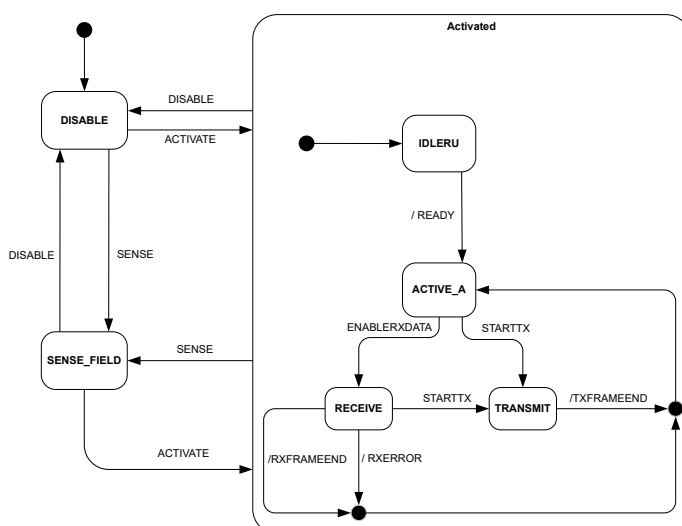


Figure 63: NFCT state diagram, automatic collision resolution disabled

Important:

- FIELDLOST event is not generated in SENSE mode.
- Sending SENSE task while field is still present does not generate **FIELDDETECTED** event.
- If the FIELDDETECTED event is cleared before sending the **ACTIVATE** task, then the FIELDDETECTED event shows up again after sending the ACTIVATE task. The shortcut FIELDDETECTED_ACTIVATE can be used to avoid this condition.

6.13.3 Pin configuration

NFCT uses two pins to connect the antenna and these pins are shared with GPIOs.

The PROTECT field in the NFCPINS register in UICR defines the usage of these pins and their protection level against excessive voltages. The content of the NFCPINS register is reloaded at every reset. See [Pin assignments](#) on page 560 for the pins used by the NFCT peripheral.

When NFCPINS.PROTECT=NFC, a protection circuit will be enabled on the dedicated pins, preventing the chip from being damaged in the presence of a strong NFC field. The protection circuit will short the two pins together if voltage difference exceeds approximately 2V. The GPIO function on those pins will also be disabled.

When NFCPINS.PROTECT=Disabled, the device will not be protected against strong NFC field damages caught by a connected NFCT antenna, and the NFCT peripheral will not operate as expected, as it will never leave the DISABLE state.

The pins dedicated to the NFCT antenna function will have some limitation when the pins are configured for normal GPIO operation. The pin capacitance will be higher on those (refer to C_{PAD_NFC} in the Electrical Specification of [GPIO — General purpose input/output](#) on page 141), and some increased leakage current between the two pins is to be expected if they are used in GPIO mode, and are driven to different logical values. To save power, the two pins should always be set to the same logical value whenever entering one of the device power saving modes. For details, refer to I_{NFC_LEAK} in the Electrical Specification of [GPIO — General purpose input/output](#) on page 141.

6.13.4 EasyDMA

The NFCT peripheral implements EasyDMA for reading and writing of data packets from and to the Data RAM.

The NFCT EasyDMA utilizes a pointer called [PACKETPTR](#) on page 222 for receiving and transmitting packets.

The NFCT peripheral uses EasyDMA to read or write RAM, but not both at the same time. The event [RXFRAMESTART](#) indicates that the EasyDMA has started writing to the RAM for a receive frame and the event [RXFRAMEEND](#) indicates that the EasyDMA has completed writing to the RAM. Similarly, the event [TXFRAMESTART](#) indicates that the EasyDMA has started reading from the RAM for a transmit frame and the event [TXFRAMEEND](#) indicates that the EasyDMA has completed reading from the RAM. If a transmit and a receive operation is issued at the same time, the transmit operation would be prioritized.

Starting a transmit operation while the EasyDMA is writing a receive frame to the RAM will result in unpredictable behavior. Starting an EasyDMA operation when there is an ongoing EasyDMA operation may result in unpredictable behavior. It is recommended to wait for the TXFRAMEEND or RXFRAMEEND event for the ongoing transmit or receive before starting a new receive or transmit operation.

The [MAXLEN](#) on page 222 register determines the maximum number of bytes that can be read from or written to the RAM. This feature can be used to ensure that the NFCT peripheral does not overwrite, or read beyond, the RAM assigned to a packet. Note that if the [RXD.AMOUNT](#) or [TXD.AMOUNT](#) register indicates longer data packets than set in MAXLEN, the frames sent to or received from the physical layer

will be incomplete. In that situation, in RX, the **OVERRUN** bit in the **FRAMESTATUS.RX** register will be set and an **RXERROR** event will be triggered.

Important: The **RXD.AMOUNT** and **TXD.AMOUNT** define a frame length in bytes and bits excluding start of frame (SoF), end of frame (EoF), and parity, but including CRC for **RXD.AMOUNT** only. Make sure to take potential additional bits into account when setting **MAXLEN**.

Only sending task **ENABLERXDATA** ensures that a new value in **PACKETPTR** pointing to the RX buffer in Data RAM is taken into account.

If **PACKETPTR** is not pointing to the Data RAM region, an EasyDMA transfer may result in a hard fault or RAM corruption. For more information about the different memory regions, see Chapter **Memory** on page 19.

The NFCT peripherals normally do alternative receive and transmit frames. Therefore, to prepare for the next frame, the **PACKETPTR**, **MAXLEN**, **TXD.FRAMECONFIG** and **TXD.AMOUNT** can be updated while the receive is in progress, and, similarly, the **PACKETPTR**, **MAXLEN** and **RXD.FRAMECONFIG** can be updated while the transmit is in progress. They can be updated and prepared for the next NFC frame immediately after the **STARTED** event of the current frame has been received. Updating the **TXD.FRAMECONFIG** and **TXD.AMOUNT** during the current transmit frame or updating **RXD.FRAMECONFIG** during current receive frame may cause unpredictable behaviour.

In accordance with *NFC Forum, NFC Digital Protocol Technical Specification*, the least significant bit (LSB) from the least significant byte (LSByte) is sent on air first. The bytes are stored in increasing order, starting at the lowest address in the EasyDMA buffer in RAM.

6.13.5 Frame assembler

The NFCT peripheral implements a frame assembler in hardware.

When the NFCT peripheral is in the **ACTIVE_A** state, the software can decide to enter RX or TX mode. For RX, see **Frame disassembler** on page 203. For TX, the software must indicate the address of the source buffer in Data RAM and its size through programming the **PACKETPTR** and **MAXLEN** registers respectively, then issuing a **STARTTX** task.

MAXLEN must be set so that it matches the size of the frame to be sent.

The **STARTED** event indicates that the **PACKETPTR** and **MAXLEN** registers have been captured by the frame assembler EasyDMA.

When asserting the **STARTTX** task, the frame assembler module will start reading **TXD.AMOUNT.TXDATABYTES** bytes (plus one additional byte if **TXD.AMOUNT.TXDATABITS > 0**) from the RAM position set by the **PACKETPTR**.

The NFCT peripheral transmits the data as read from RAM, adding framing and the CRC calculated on the fly if set in **TXD.FRAMECONFIG**. The NFCT peripheral will take $(8 * \text{TXD.AMOUNT.TXDATABYTES} + \text{TXD.AMOUNT.TXDATABITS})$ bits and assemble a frame according to the settings in **TXD.FRAMECONFIG**. Both short frames, standard frames, and bit-oriented SDD frames as specified in the *NFC Forum, NFC Digital Protocol Technical Specification* can be assembled by the correct setting of the **TXD.FRAMECONFIG** register.

The bytes will be transmitted on air in the same order as they are read from RAM with a rising bit order within each byte, least significant bit (LSB) first. That is, **b0** will be transmitted on air before **b1**, and so on. The bits read from RAM will be coded into symbols as defined in the *NFC Forum, NFC Digital Protocol Technical Specification*.

Important: Some NFC Forum documents, such as *NFC Forum*, *NFC Digital Protocol Technical Specification*, define bit numbering in a byte from b1 (LSB) to b8 (most significant bit (MSB)), while most other technical documents from the NFC Forum, and also the Nordic Semiconductor documentation, traditionally number them from b0 to b7. The present document uses the b0–b7 numbering scheme. Be aware of this when comparing the *NFC Forum*, *NFC Digital Protocol Technical Specification* to others.

The frame assembler can be configured in TXD.FRAMECONFIG to add SoF symbol, calculate and add parity bits, and calculate and add CRC to the data read from RAM when assembling the frame. The total frame will then be longer than what is defined by TXD.AMOUNT.TXDATABYTES. TXDATABITS. DISCARDMODE will select if the first bits in the first byte read from RAM or the last bits in the last byte read from RAM will be discarded if TXD.AMOUNT.TXDATABITS are not equal to zero. Note that if TXD.FRAMECONFIG.PARITY = Parity and TXD.FRAMECONFIG.DISCARDMODE=DiscardStart, a parity bit will be included after the non-complete first byte. No parity will be added after a non-complete last byte.

The frame assemble operation is illustrated in [Frame assemble illustration](#) on page 203 for different settings in TXD.FRAMECONFIG. All shaded bit fields are added by the frame assembler. Some of these bits are optional and appearances are configured in TXD.FRAMECONFIG. Note that the frames illustrated do not necessarily comply with the NFC specification. The figure is only to illustrate the behavior of the NFCT peripheral.

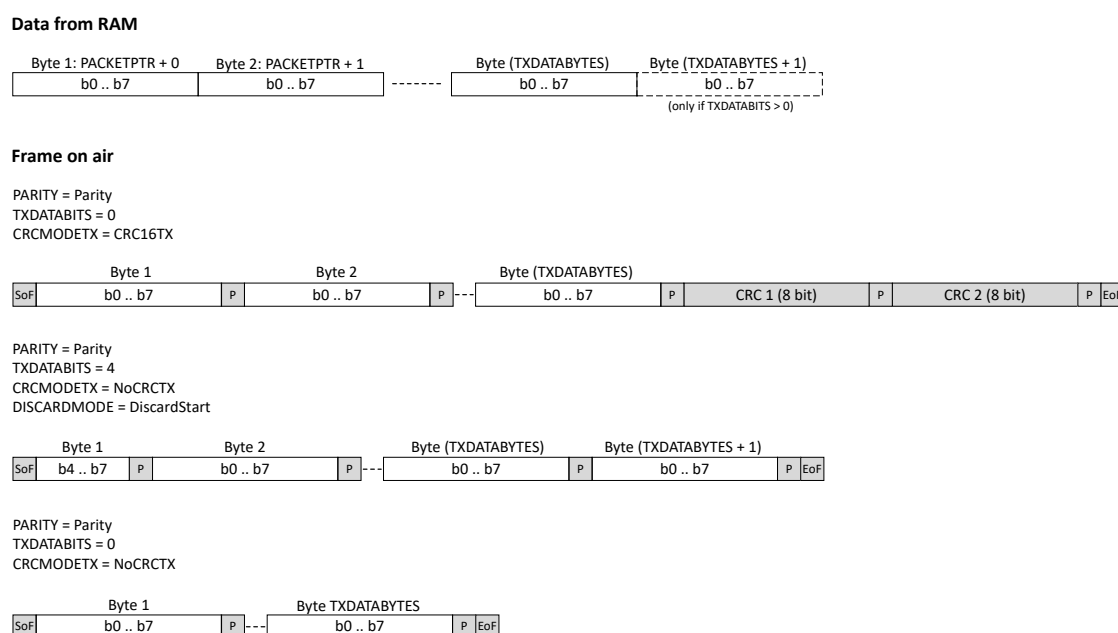


Figure 64: Frame assemble illustration

The accurate timing for transmitting the frame on air is set using the frame timing controller settings.

6.13.6 Frame disassembler

The NFCT peripheral implements a frame disassembler in hardware.

When the NFCT peripheral is in the ACTIVE_A state, the software can decide to enter RX or TX mode. For TX, see [Frame assembler](#) on page 202. For RX, the software must indicate the address and size of the destination buffer in Data RAM through programming the `PACKETPTR` and `MAXLEN` registers before issuing an `ENABLERXDATA` task.

The `STARTED` event indicates that the `PACKETPTR` and `MAXLEN` registers have been captured by the frame disassembler EasyDMA.

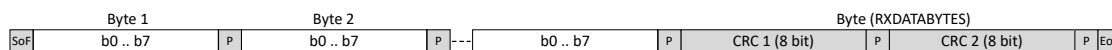
When an incoming frame starts, the `RXFRAMESTART` event will get issued and data will be written to the buffer in Data RAM. The frame disassembler will verify and remove any parity bits, start of frame (SoF) and

end of frame (EoF) symbols on the fly based on `RXD.FRAMECONFIG` register configuration. It will, however, verify and transfer the CRC bytes into RAM, if the CRC is enabled through `RXD.FRAMECONFIG`.

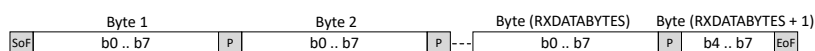
When an EoF symbol is detected, the NFCT peripheral will assert the `RXFRAMEEND` event and write the `RXD.AMOUNT` register to indicate numbers of received bytes and bits in the data packet. The module does not interpret the content of the data received from the remote NFC device, except for SoF, EoF, parity, and CRC checking, as described above. The frame disassemble operation is illustrated below.

Frame on air

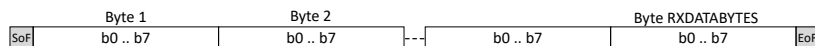
PARITY = Parity
RXDATABITS = 0
CRCMODERX = CRC16RX



PARITY = Parity
CRCMODERX = NoCRCTR
RXDATABITS = 4



PARITY = NoParity
CRCMODERX = NoCRCRX
RXDATABITS = 0



Data to RAM

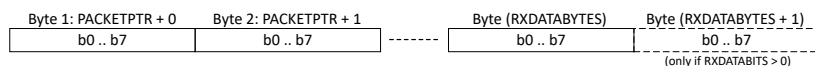


Figure 65: Frame disassemble illustration

Per NFC specification, the time between EoF to the next SoF can be as short as 86 μ s, and therefore care must be taken that `PACKETPTR` and `MAXLEN` are ready and `ENABLERXDATA` is issued on time after the end of previous frame. The use of a PPI shortcut from `TXFRAMEEND` to `ENABLERXDATA` is recommended.

6.13.7 Frame timing controller

The NFCT peripheral includes a frame timing controller that continuously keeps track of the number of the 13.56 MHz RF carrier clock periods since the end of the EoF of the last received frame.

The NFCT peripheral can be programmed to send a responding frame within a time window or at an exact count of RF carrier periods. In case of `FRAMEDELAYMODE` = Window, a `STARTTX` task triggered before the frame timing controller counter is equal to `FRAMEDELAYMIN` will force the transmission to halt until the counter is equal to `FRAMEDELAYMIN`. If the counter is within `FRAMEDELAYMIN` and `FRAMEDELAYMAX` when the `STARTTX` task is triggered, the NFCT peripheral will start the transmission straight away. In case of `FRAMEDELAYMODE` = ExactVal, a `STARTTX` task triggered before the frame delay counter is equal to `FRAMEDELAYMAX` will halt the actual transmission start until the counter is equal to `FRAMEDELAYMAX`.

In case of `FRAMEDELAYMODE` = WindowGrid, the behaviour is similar to the `FRAMEDELAYMODE` = Window, but the actual transmission between `FRAMEDELAYMIN` and `FRAMEDELAYMAX` starts on a bit grid as defined for NFC-A Listen frames (slot duration of 128 RF carrier periods).

An `ERROR` event (with `FRAMEDELAYTIMEOUT` cause in `ERRORSTATUS`) will be asserted if the frame timing controller counter reaches `FRAMEDELAYMAX` without any `STARTTX` task triggered. This may happen even when the response is not required as per *NFC Forum, NFC Digital Protocol Technical Specification*. Any commands handled by the automatic collision resolution that don't involve a response being generated may also result in an `ERROR` event (with `FRAMEDELAYTIMEOUT` cause in `ERRORSTATUS`). The `FRAMEDELAYMIN` and `FRAMEDELAYMAX` values shall only be updated before the `STARTTX` task is triggered. Failing to do so may cause unpredictable behaviour.

The frame timing controller operation is illustrated in [Frame timing controller \(FRAMEDELAYMODE=Window\)](#) on page 205. The frame timing controller automatically adjusts the frame timing counter based on the last received data bit according to NFC-A technology in the *NFC Forum, NFC Digital Protocol Technical Specification*.

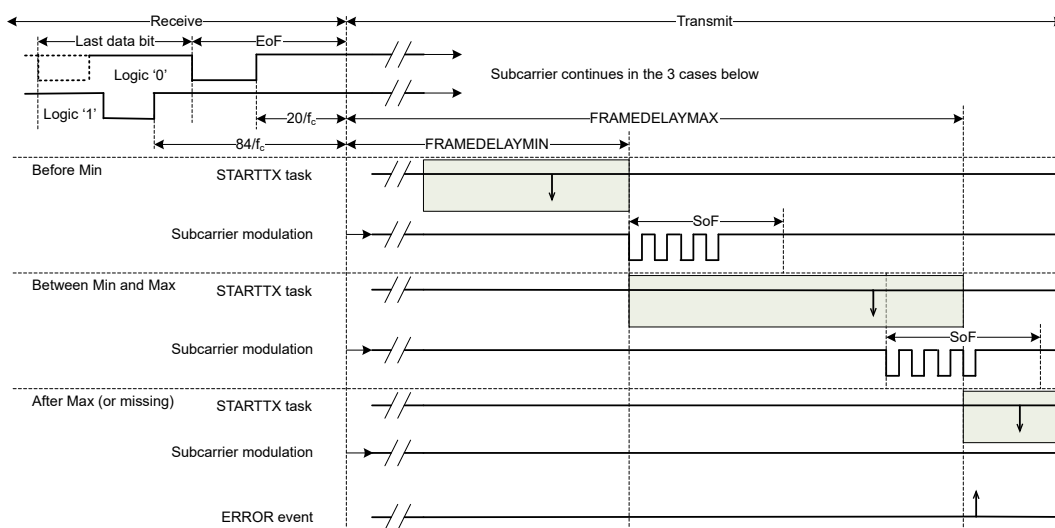


Figure 66: Frame timing controller (FRAMEDELAYMODE=Window)

6.13.8 Collision resolution

The NFCT peripheral implements an automatic collision resolution function as defined by the NFC Forum.

Automatic collision resolution is enabled by default, and it is recommended that the feature is used since it is power efficient and reduces the complexity of software handling the collision resolution sequence. This feature can be disabled through the MODE field in the [AUTOCOLRESCONFIG](#) register. When the automatic collision resolution is disabled, all commands will be sent over EasyDMA as defined in frame disassembler.

The [SENSRES](#) and [SELRES](#) registers need to be programmed upfront in order for the collision resolution to behave correctly. Depending on the NFCIDSIZE field in SENSRES, the following registers also need to be programmed upfront:

- NFCID1_LAST if NFCID1SIZE=NFCID1Single (ID = 4 bytes);
- NFCID1_2ND_LAST and NFCID1_LAST if NFCID1SIZE=NFCID1Double (ID = 7 bytes);
- NFCID1_3RD_LAST, NFCID1_2ND_LAST and NFCID1_LAST if NFCID1SIZE=NFCID1Triple (ID = 10 bytes);

A pre-defined set of registers, NFC.TAGHEADER0..3, containing a valid NFCID1 value, is available in FICR and can be used by software to populate the NFCID1_3RD_LAST, NFCID1_2ND_LAST, and NFCID1_LAST registers.

[NFCID1 byte allocation \(top sent first on air\)](#) on page 206 explains the position of the ID bytes in NFCID1_3RD_LAST, NFCID1_2ND_LAST, and NFCID1_LAST, depending on the ID size, and as compared to the definition used in the *NFC Forum, NFC Digital Protocol Technical Specification*.

	ID = 4 bytes	ID = 7 bytes	ID = 10 bytes
NFCID1_Q			nfcid1 ₀
NFCID1_R			nfcid1 ₁
NFCID1_S			nfcid1 ₂
NFCID1_T		nfcid1 ₀	nfcid1 ₃
NFCID1_U		nfcid1 ₁	nfcid1 ₄
NFCID1_V		nfcid1 ₂	nfcid1 ₅
NFCID1_W	nfcid1 ₀	nfcid1 ₃	nfcid1 ₆
NFCID1_X	nfcid1 ₁	nfcid1 ₄	nfcid1 ₇
NFCID1_Y	nfcid1 ₂	nfcid1 ₅	nfcid1 ₈
NFCID1_Z	nfcid1 ₃	nfcid1 ₆	nfcid1 ₉

Table 57: NFCID1 byte allocation (top sent first on air)

The hardware implementation can handle the states from IDLE to ACTIVE_A automatically as defined in the *NFC Forum, NFC Activity Technical Specification*, and the other states are to be handled by software. The software keeps track of the state through events. The collision resolution will trigger an **AUTOCOLRESSTARTED** event when it has started. Reaching the ACTIVE_A state is indicated by the **SELECTED** event.

If collision resolution fails, a **COLLISION** event is triggered. Note that errors occurring during automatic collision resolution may also cause **ERROR** and/or **RXERROR** events to be generated. Other events may also get generated. It is recommended that the software ignores any event except COLLISION, SELECTED and FIELDLOST during automatic collision resolution. Software shall also make sure that any unwanted SHORT or PPI shortcut is disabled during automatic collision resolution.

The automatic collision resolution will be restarted, if the packets are received with CRC or parity errors while in ACTIVE_A state. The automatic collision resolution feature can be disabled while in ACTIVE_A state to avoid this.

The SLP_REQ is automatically handled by the NFCT peripheral when the automatic collision resolution is enabled. However, this results in an ERROR event (with FRAMEDELAYTIMEOUT cause in ERRORSTATUS) since the SLP_REQ has no response. This error must be ignored until the SELECTED event is triggered and this error should be cleared by the software when the SELECTED event is triggered.

6.13.9 Antenna interface

In ACTIVATED state, an amplitude regulator will adjust the voltage swing on the antenna pins to a value that is within the V_{swing} limit.

Refer to [NFCT Electrical Specification](#) on page 227.

6.13.10 NFCT antenna recommendations

The NFCT antenna coil must be connected differential between **NFC1** and **NFC2** pins of the device.

Two external capacitors should be used to tune the resonance of the antenna circuit to 13.56 MHz.

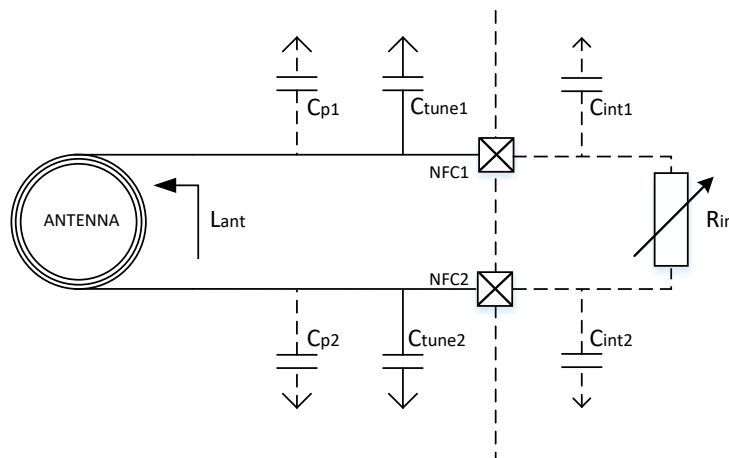


Figure 67: NFCT antenna recommendations

The required tuning capacitor value is given by the below equations:

$$C'_{tune} = \frac{1}{(2\pi \cdot 13.56 \text{ MHz})^2 \cdot L_{ant}} \quad \text{where } C'_{tune} = \frac{1}{2} \cdot (C_p + C_{int} + C_{tune})$$

$$\text{and } C_{tune1} = C_{tune2} = C_{tune} \quad C_{p1} = C_{p2} = C_p \quad C_{int1} = C_{int2} = C_{int}$$

$$C_{tune} = \frac{2}{(2\pi \cdot 13.56 \text{ MHz})^2 \cdot L_{ant}} - C_p - C_{int}$$

An antenna inductance of $L_{ant} = 2 \mu\text{H}$ will give tuning capacitors in the range of 130 pF on each pin. The total capacitance on **NFC1** and **NFC2** must be matched.

6.13.11 Battery protection

If the antenna is exposed to a strong NFC field, current may flow in the opposite direction on the supply due to parasitic diodes and ESD structures.

If the battery used does not tolerate return current, a series diode must be placed between the battery and the device in order to protect the battery.

6.13.12 Digital Modulation Signal

Support for external analog frontends or antenna architectures is possible by optionally outputting the digital modulation signal to a GPIO.

The NFCT peripheral is designed to connect directly to a loop antenna, receive a modulated signal from an NFC Reader with its internal analog frontend and transmit data back by changing the input resistance that is then seen as modulated load by the NFC Reader.

In addition, the peripheral has an option to output the digital modulation signal to a GPIO. Reception still occurs through the internal analog frontend, whereas transmission can be done by one of the following:

- The internal analog frontend through the loop antenna (default)
- An external frontend using the digital modulation signal
- The combination of both above

There are two registers that allow configuration of the modulation signal (i.e. of the response from NFCT to the NFC Reader), [MODULATIONCTRL](#) and [MODULATIONPSEL](#). The registers need to be programmed before NFCT sends a response to a request from a reader. Ideally, this configuration is performed during startup and whenever the NFCT peripheral is powered up.

The selected GPIO needs to be configured as output in the corresponding GPIO configuration register. It is recommended to set an output value in the corresponding GPIO.OUT register – this value will be driven whenever the NFCT peripheral is disabled.

NFCT drives the pin low when there is no modulation, and drives it with On-Off Keying (OOK) modulation of an 847 kHz subcarrier (derived from the carrier frequency) when it responds to commands from an NFC Reader.

6.13.13 References

NFC Forum, NFC Analog Specification version 1.0, www.nfc-forum.org

NFC Forum, NFC Digital Protocol Technical Specification version 1.1, www.nfc-forum.org

NFC Forum, NFC Activity Technical Specification version 1.1, www.nfc-forum.org

6.13.14 Registers

Base address	Peripheral	Instance	Description	Configuration
0x40005000	NFCT	NFCT	Near field communication tag	

Table 58: Instances

Register	Offset	Description
TASKS_ACTIVATE	0x000	Activate NFCT peripheral for incoming and outgoing frames, change state to activated
TASKS_DISABLE	0x004	Disable NFCT peripheral
TASKS_SENSE	0x008	Enable NFC sense field mode, change state to sense mode
TASKS_STARTTX	0x00C	Start transmission of an outgoing frame, change state to transmit
TASKS_ENABLERXDATA	0x01C	Initializes the EasyDMA for receive.
TASKS_GOIDLE	0x024	Force state machine to IDLE state
TASKS_GOSLEEP	0x028	Force state machine to SLEEP_A state
EVENTS_READY	0x100	The NFCT peripheral is ready to receive and send frames
EVENTS_FIELDDETECTED	0x104	Remote NFC field detected
EVENTS_FIELDLOST	0x108	Remote NFC field lost
EVENTS_TXFRAMESTART	0x10C	Marks the start of the first symbol of a transmitted frame
EVENTS_TXFRAMEEND	0x110	Marks the end of the last transmitted on-air symbol of a frame
EVENTS_RXFRAMESTART	0x114	Marks the end of the first symbol of a received frame
EVENTS_RXFRAMEEND	0x118	Received data has been checked (CRC, parity) and transferred to RAM, and EasyDMA has ended accessing the RX buffer
EVENTS_ERROR	0x11C	NFC error reported. The ERRORSTATUS register contains details on the source of the error.
EVENTS_RXERROR	0x128	NFC RX frame error reported. The FRAMESTATUS.RX register contains details on the source of the error.
EVENTS_ENDRX	0x12C	RX buffer (as defined by PACKETPTR and MAXLEN) in Data RAM full.
EVENTS_ENDTX	0x130	Transmission of data in RAM has ended, and EasyDMA has ended accessing the TX buffer
EVENTS_AUTOCOLRESSTARTED	0x138	Auto collision resolution process has started
EVENTS_COLLISION	0x148	NFC auto collision resolution error reported.
EVENTS_SELECTED	0x14C	NFC auto collision resolution successfully completed
EVENTS_STARTED	0x150	EasyDMA is ready to receive or send frames.
SHORTS	0x200	Shortcuts between local events and tasks
INTEN	0x300	Enable or disable interrupt

Register	Offset	Description
INTENSET	0x304	Enable interrupt
INTENCLR	0x308	Disable interrupt
ERRORSTATUS	0x404	NFC Error Status register
FRAMESTATUS.RX	0x40C	Result of last incoming frame
NFC.TAGSTATE	0x410	NfcTag state register
SLEEPSTATE	0x420	Sleep state during automatic collision resolution
FIELDPRESENT	0x43C	Indicates the presence or not of a valid field
FRAMEDELAYMIN	0x504	Minimum frame delay
FRAMEDELAYMAX	0x508	Maximum frame delay
FRAMEDELAYMODE	0x50C	Configuration register for the Frame Delay Timer
PACKETPTR	0x510	Packet pointer for TXD and RXD data storage in Data RAM
MAXLEN	0x514	Size of the RAM buffer allocated to TXD and RXD data storage each
TXD.FRAMECONFIG	0x518	Configuration of outgoing frames
TXD.AMOUNT	0x51C	Size of outgoing frame
RXD.FRAMECONFIG	0x520	Configuration of incoming frames
RXD.AMOUNT	0x524	Size of last incoming frame
MODULATIONCTRL	0x52C	Enables the modulation output to a GPIO pin which can be connected to a second external antenna.
MODULATIONPSEL	0x538	Pin select for Modulation control.
NFCID1_LAST	0x590	Last NFCID1 part (4, 7 or 10 bytes ID)
NFCID1_2ND_LAST	0x594	Second last NFCID1 part (7 or 10 bytes ID)
NFCID1_3RD_LAST	0x598	Third last NFCID1 part (10 bytes ID)
AUTOCOLRESCONFIG	0x59C	Controls the auto collision resolution function. This setting must be done before the NFCT peripheral is activated.
SENSRES	0x5A0	NFC-A SENS_RES auto-response settings
SELRES	0x5A4	NFC-A SEL_RES auto-response settings

Table 59: Register overview

6.13.14.1 TASKS_ACTIVATE

Address offset: 0x000

Activate NFCT peripheral for incoming and outgoing frames, change state to activated

Bit number	31 30 29 28 27 26 25 24 23 22 21 20 19 18 17 16 15 14 13 12 11 10 9 8 7 6 5 4 3 2 1 0																														
ID	A																														
Reset 0x00000000	0 0																														
ID	Acce Field	Value ID	Value	Description																											
A	W	TASKS_ACTIVATE		Activate NFCT peripheral for incoming and outgoing frames, change state to activated																											
		Trigger	1	Trigger task																											

6.13.14.2 TASKS_DISABLE

Address offset: 0x004

Disable NFCT peripheral

Bit number	31	30	29	28	27	26	25	24	23	22	21	20	19	18	17	16	15	14	13	12	11	10	9	8	7	6	5	4	3	2	1	0
ID																																A
Reset 0x00000000	0 0																															
ID	Acce Field	Value ID	Value	Description																												
A	W TASKS_DISABLE	Trigger	1	Disable NFCT peripheral Trigger task																												

6.13.14.3 TASKS_SENSE

Address offset: 0x008

Enable NFC sense field mode, change state to sense mode

Bit number	31	30	29	28	27	26	25	24	23	22	21	20	19	18	17	16	15	14	13	12	11	10	9	8	7	6	5	4	3	2	1	0
ID																																A
Reset 0x00000000	0 0																															
ID	Acce Field	Value ID	Value	Description																												
A	W TASKS_SENSE	Trigger	1	Enable NFC sense field mode, change state to sense mode Trigger task																												

6.13.14.4 TASKS_STARTTX

Address offset: 0x00C

Start transmission of an outgoing frame, change state to transmit

Bit number	31	30	29	28	27	26	25	24	23	22	21	20	19	18	17	16	15	14	13	12	11	10	9	8	7	6	5	4	3	2	1	0
ID																																A
Reset 0x00000000	0 0																															
ID	Acce Field	Value ID	Value	Description																												
A	W TASKS_STARTTX	Trigger	1	Start transmission of an outgoing frame, change state to transmit Trigger task																												

6.13.14.5 TASKS_ENABLERXDATA

Address offset: 0x01C

Initializes the EasyDMA for receive.

Bit number	31	30	29	28	27	26	25	24	23	22	21	20	19	18	17	16	15	14	13	12	11	10	9	8	7	6	5	4	3	2	1	0
ID																																A
Reset 0x00000000	0 0																															
ID	Acce Field	Value ID	Value	Description																												
A	W TASKS_ENABLERXDATA	Trigger	1	Initializes the EasyDMA for receive. Trigger task																												

6.13.14.6 TASKS_GOIDLE

Address offset: 0x024

Force state machine to IDLE state

Bit number	31	30	29	28	27	26	25	24	23	22	21	20	19	18	17	16	15	14	13	12	11	10	9	8	7	6	5	4	3	2	1	0
ID																																A
Reset 0x00000000	0 0																															
ID	Acce	Field	Value ID	Value	Description																											
A	W	TASKS_GOIDL			Force state machine to IDLE state																											
			Trigger	1	Trigger task																											

6.13.14.7 TASKS_GOSLEEP

Address offset: 0x028

Force state machine to SLEEP_A state

Bit number	31	30	29	28	27	26	25	24	23	22	21	20	19	18	17	16	15	14	13	12	11	10	9	8	7	6	5	4	3	2	1	0
ID																																A
Reset 0x00000000	0 0																															
ID	Acce	Field	Value ID	Value	Description																											
A	W	TASKS_GOSLE			Force state machine to SLEEP_A state																											
			Trigger	1	Trigger task																											

6.13.14.8 EVENTS_READY

Address offset: 0x100

The NFCT peripheral is ready to receive and send frames

Bit number	31	30	29	28	27	26	25	24	23	22	21	20	19	18	17	16	15	14	13	12	11	10	9	8	7	6	5	4	3	2	1	0
ID																																A
Reset 0x00000000	0 0																															
ID	Acce	Field	Value ID	Value	Description																											
A	RW	EVENTS_READY			The NFCT peripheral is ready to receive and send frames																											
			NotGenerated	0	Event not generated																											
			Generated	1	Event generated																											

6.13.14.9 EVENTS_FIELDDETECTED

Address offset: 0x104

Remote NFC field detected

Bit number	31	30	29	28	27	26	25	24	23	22	21	20	19	18	17	16	15	14	13	12	11	10	9	8	7	6	5	4	3	2	1	0
ID																																A
Reset 0x00000000	0 0																															
ID	Acce	Field	Value ID	Value	Description																											
A	RW	EVENTS_FIELDDETECTED			Remote NFC field detected																											
			NotGenerated	0	Event not generated																											
			Generated	1	Event generated																											

6.13.14.10 EVENTS_FIELDLOST

Address offset: 0x108

Remote NFC field lost

Bit number	31	30	29	28	27	26	25	24	23	22	21	20	19	18	17	16	15	14	13	12	11	10	9	8	7	6	5	4	3	2	1	0	
ID																																A	
Reset	0x00000000																																
0	0	0	0	0	0	0	0	0	0	0	0	0	0	0	0	0	0	0	0	0	0	0	0	0	0	0	0	0	0	0	0	0	0
ID	Acce Field	Value ID	Value	Description																													
A	RW	EVENTS_FIELDLOST		Remote NFC field lost																													
		NotGenerated	0	Event not generated																													
		Generated	1	Event generated																													

6.13.14.11 EVENTS_TXFRAMESTART

Address offset: 0x10C

Marks the start of the first symbol of a transmitted frame

Bit number	31	30	29	28	27	26	25	24	23	22	21	20	19	18	17	16	15	14	13	12	11	10	9	8	7	6	5	4	3	2	1	0
ID																																A
Reset	0x00000000																															
0	0	0	0	0	0	0	0	0	0	0	0	0	0	0	0	0	0	0	0	0	0	0	0	0	0	0	0	0	0	0	0	0
ID	Acce Field	Value ID	Value	Description																												
A	RW	EVENTS_TXFRAMESTART		Marks the start of the first symbol of a transmitted frame																												
		NotGenerated	0	Event not generated																												
		Generated	1	Event generated																												

6.13.14.12 EVENTS_TXFRAMEEND

Address offset: 0x110

Marks the end of the last transmitted on-air symbol of a frame

Bit number	31	30	29	28	27	26	25	24	23	22	21	20	19	18	17	16	15	14	13	12	11	10	9	8	7	6	5	4	3	2	1	0
ID																																A
Reset	0x00000000																															
0	0	0	0	0	0	0	0	0	0	0	0	0	0	0	0	0	0	0	0	0	0	0	0	0	0	0	0	0	0	0	0	0
ID	Acce Field	Value ID	Value	Description																												
A	RW	EVENTS_TXFRAMEEND		Marks the end of the last transmitted on-air symbol of a frame																												
		NotGenerated	0	Event not generated																												
		Generated	1	Event generated																												

6.13.14.13 EVENTS_RXFRAMESTART

Address offset: 0x114

Marks the end of the first symbol of a received frame

Bit number	31	30	29	28	27	26	25	24	23	22	21	20	19	18	17	16	15	14	13	12	11	10	9	8	7	6	5	4	3	2	1	0
ID																																A
Reset	0x00000000																															
0	0	0	0	0	0	0	0	0	0	0	0	0	0	0	0	0	0	0	0	0	0	0	0	0	0	0	0	0	0	0	0	0
ID	Acce Field	Value ID	Value	Description																												
A	RW	EVENTS_RXFRAMESTART		Marks the end of the first symbol of a received frame																												
		NotGenerated	0	Event not generated																												
		Generated	1	Event generated																												

6.13.14.14 EVENTS_RXFRAMEEND

Address offset: 0x118

Received data has been checked (CRC, parity) and transferred to RAM, and EasyDMA has ended accessing the RX buffer

Bit number	31 30 29 28 27 26 25 24 23 22 21 20 19 18 17 16 15 14 13 12 11 10 9 8 7 6 5 4 3 2 1 0																														
ID	A																														
Reset	0x00000000																														
	0 0																														
ID	Acce Field	Value ID	Value	Description																											
A	RW	EVENTS_RXFRAMEEND		Received data has been checked (CRC, parity) and transferred to RAM, and EasyDMA has ended accessing the RX buffer																											
		NotGenerated	0	Event not generated																											
		Generated	1	Event generated																											

6.13.14.15 EVENTS_ERROR

Address offset: 0x11C

NFC error reported. The ERRORSTATUS register contains details on the source of the error.

Bit number	31 30 29 28 27 26 25 24 23 22 21 20 19 18 17 16 15 14 13 12 11 10 9 8 7 6 5 4 3 2 1 0																														
ID	A																														
Reset	0x00000000																														
	0 0																														
ID	Acce Field	Value ID	Value	Description																											
A	RW	EVENTS_ERROR		NFC error reported. The ERRORSTATUS register contains details on the source of the error.																											
		NotGenerated	0	Event not generated																											
		Generated	1	Event generated																											

6.13.14.16 EVENTS_RXERROR

Address offset: 0x128

NFC RX frame error reported. The FRAMESTATUS.RX register contains details on the source of the error.

Bit number	31 30 29 28 27 26 25 24 23 22 21 20 19 18 17 16 15 14 13 12 11 10 9 8 7 6 5 4 3 2 1 0																														
ID	A																														
Reset	0x00000000																														
	0 0																														
ID	Acce Field	Value ID	Value	Description																											
A	RW	EVENTS_RXERROR		NFC RX frame error reported. The FRAMESTATUS.RX register contains details on the source of the error.																											
		NotGenerated	0	Event not generated																											
		Generated	1	Event generated																											

6.13.14.17 EVENTS_ENDRX

Address offset: 0x12C

RX buffer (as defined by PACKETPTR and MAXLEN) in Data RAM full.

Bit number	31 30 29 28 27 26 25 24 23 22 21 20 19 18 17 16 15 14 13 12 11 10 9 8 7 6 5 4 3 2 1 0																														
ID	A																														
Reset	0x00000000																														
0	0 0																														
ID	Acce Field	Value ID	Value	Description																											
A	RW	EVENTS_ENDRX		RX buffer (as defined by PACKETPTR and MAXLEN) in Data RAM full.																											
		NotGenerated	0	Event not generated																											
		Generated	1	Event generated																											

6.13.14.18 EVENTS_ENDTX

Address offset: 0x130

Transmission of data in RAM has ended, and EasyDMA has ended accessing the TX buffer

Bit number	31 30 29 28 27 26 25 24 23 22 21 20 19 18 17 16 15 14 13 12 11 10 9 8 7 6 5 4 3 2 1 0																														
ID	A																														
Reset	0x00000000																														
0	0 0																														
ID	Acce Field	Value ID	Value	Description																											
A	RW	EVENTS_ENDTX		Transmission of data in RAM has ended, and EasyDMA has ended accessing the TX buffer																											
		NotGenerated	0	Event not generated																											
		Generated	1	Event generated																											

6.13.14.19 EVENTS_AUTOCOLRESSTARTED

Address offset: 0x138

Auto collision resolution process has started

Bit number	31 30 29 28 27 26 25 24 23 22 21 20 19 18 17 16 15 14 13 12 11 10 9 8 7 6 5 4 3 2 1 0																														
ID	A																														
Reset	0x00000000																														
0	0 0																														
ID	Acce Field	Value ID	Value	Description																											
A	RW	EVENTS_AUTOCOLRESSTARTED		Auto collision resolution process has started																											
		NotGenerated	0	Event not generated																											
		Generated	1	Event generated																											

6.13.14.20 EVENTS_COLLISION

Address offset: 0x148

NFC auto collision resolution error reported.

Bit number	31 30 29 28 27 26 25 24 23 22 21 20 19 18 17 16 15 14 13 12 11 10 9 8 7 6 5 4 3 2 1 0																														
ID	A																														
Reset	0x00000000																														
0	0 0																														
ID	Acce Field	Value ID	Value	Description																											
A	RW	EVENTS_COLLISION		NFC auto collision resolution error reported.																											
		NotGenerated	0	Event not generated																											
		Generated	1	Event generated																											

6.13.14.21 EVENTS_SELECTED

Address offset: 0x14C

NFC auto collision resolution successfully completed

Bit number	31	30	29	28	27	26	25	24	23	22	21	20	19	18	17	16	15	14	13	12	11	10	9	8	7	6	5	4	3	2	1	0
ID																																A
Reset 0x00000000	0 0																															
ID	Acce Field	Value ID	Value	Description																												
A	RW	EVENTS_SELECTED		NFC auto collision resolution successfully completed																												
		NotGenerated	0	Event not generated																												
		Generated	1	Event generated																												

6.13.14.22 EVENTS_STARTED

Address offset: 0x150

EasyDMA is ready to receive or send frames.

Bit number	31	30	29	28	27	26	25	24	23	22	21	20	19	18	17	16	15	14	13	12	11	10	9	8	7	6	5	4	3	2	1	0
ID																																A
Reset 0x00000000	0 0																															
ID	Acce Field	Value ID	Value	Description																												
A	RW	EVENTS_STARTED		EasyDMA is ready to receive or send frames.																												
		NotGenerated	0	Event not generated																												
		Generated	1	Event generated																												

6.13.14.23 SHORTS

Address offset: 0x200

Shortcuts between local events and tasks

Bit number	31	30	29	28	27	26	25	24	23	22	21	20	19	18	17	16	15	14	13	12	11	10	9	8	7	6	5	4	3	2	1	0		
ID																																F	B	A
Reset 0x00000000	0 0																																	
ID	Acce Field	Value ID	Value	Description																														
A	RW	FIELDDETECTED_ACTIVATE		Shortcut between event FIELDDETECTED and task ACTIVATE																														
		Disabled	0	Disable shortcut																														
		Enabled	1	Enable shortcut																														
B	RW	FIELDLOST_SENSE		Shortcut between event FIELDLOST and task SENSE																														
		Disabled	0	Disable shortcut																														
		Enabled	1	Enable shortcut																														
F	RW	TXFRAMEEND_ENABLERXDATA		Shortcut between event TXFRAMEEND and task ENABLERXDATA																														
		Disabled	0	Disable shortcut																														
		Enabled	1	Enable shortcut																														

6.13.14.24 INTEN

Address offset: 0x300

Enable or disable interrupt

Bit number		31 30 29 28 27 26 25 24 23 22 21 20 19 18 17 16 15 14 13 12 11 10 9 8 7 6 5 4 3 2 1 0																											
ID		T S R												N			M L K			H G F E D C B A									
Reset 0x00000000		0 0																											
ID	Acce Field	Value ID	Value	Description																									
A	RW READY	Disabled	0	Disable																									
		Enabled	1	Enable																									
B	RW FIELDDETECTED	Disabled	0	Disable																									
		Enabled	1	Enable																									
C	RW FIELDLOST	Disabled	0	Disable																									
		Enabled	1	Enable																									
D	RW TXFRAMESTART	Disabled	0	Disable																									
		Enabled	1	Enable																									
E	RW TXFRAMEEND	Disabled	0	Disable																									
		Enabled	1	Enable																									
F	RW RXFRAMESTART	Disabled	0	Disable																									
		Enabled	1	Enable																									
G	RW RXFRAMEEND	Disabled	0	Disable																									
		Enabled	1	Enable																									
H	RW ERROR	Disabled	0	Disable																									
		Enabled	1	Enable																									
K	RW RXERROR	Disabled	0	Disable																									
		Enabled	1	Enable																									
L	RW ENDRX	Disabled	0	Disable																									
		Enabled	1	Enable																									
M	RW ENDTX	Disabled	0	Disable																									
		Enabled	1	Enable																									
N	RW AUTOCOLRESSTARTED	Disabled	0	Disable																									
		Enabled	1	Enable																									
R	RW COLLISION	Disabled	0	Disable																									
		Enabled	1	Enable																									
S	RW SELECTED	Disabled	0	Disable																									
		Enabled	1	Enable																									
T	RW STARTED	Disabled	0	Disable																									
		Enabled	1	Enable																									

6.13.14.25 INTENSET

Address offset: 0x304

Enable interrupt

Bit number		31 30 29 28 27 26 25 24 23 22 21 20 19 18 17 16 15 14 13 12 11 10 9 8 7 6 5 4 3 2 1 0																											
ID		T S R												N			M L K			H G F E D C B A									
Reset 0x00000000		0 0																											
ID	Acce Field	Value ID	Value	Description																									
A	RW READY			Write '1' to enable interrupt for event READY																									
		Set	1	Enable																									
		Disabled	0	Read: Disabled																									
		Enabled	1	Read: Enabled																									
B	RW FIELDDETECTED			Write '1' to enable interrupt for event FIELDDETECTED																									
		Set	1	Enable																									
		Disabled	0	Read: Disabled																									
		Enabled	1	Read: Enabled																									
C	RW FIELDLOST			Write '1' to enable interrupt for event FIELDLOST																									
		Set	1	Enable																									
		Disabled	0	Read: Disabled																									
		Enabled	1	Read: Enabled																									
D	RW TXFRAMESTART			Write '1' to enable interrupt for event TXFRAMESTART																									
		Set	1	Enable																									
		Disabled	0	Read: Disabled																									
		Enabled	1	Read: Enabled																									
E	RW TXFRAMEEND			Write '1' to enable interrupt for event TXFRAMEEND																									
		Set	1	Enable																									
		Disabled	0	Read: Disabled																									
		Enabled	1	Read: Enabled																									
F	RW RXFRAMESTART			Write '1' to enable interrupt for event RXFRAMESTART																									
		Set	1	Enable																									
		Disabled	0	Read: Disabled																									
		Enabled	1	Read: Enabled																									
G	RW RXFRAMEEND			Write '1' to enable interrupt for event RXFRAMEEND																									
		Set	1	Enable																									
		Disabled	0	Read: Disabled																									
		Enabled	1	Read: Enabled																									
H	RW ERROR			Write '1' to enable interrupt for event ERROR																									
		Set	1	Enable																									
		Disabled	0	Read: Disabled																									
		Enabled	1	Read: Enabled																									
K	RW RXERROR			Write '1' to enable interrupt for event RXERROR																									
		Set	1	Enable																									
		Disabled	0	Read: Disabled																									
		Enabled	1	Read: Enabled																									
L	RW ENDRX			Write '1' to enable interrupt for event ENDRX																									
		Set	1	Enable																									
		Disabled	0	Read: Disabled																									
		Enabled	1	Read: Enabled																									
M	RW ENDTX			Write '1' to enable interrupt for event ENDTX																									
		Set	1	Enable																									
		Disabled	0	Read: Disabled																									
		Enabled	1	Read: Enabled																									
N	RW AUTOCOLRESSTARTED			Write '1' to enable interrupt for event AUTOCOLRESSTARTED																									
		Set	1	Enable																									
		Disabled	0	Read: Disabled																									
		Enabled	1	Read: Enabled																									
R	RW COLLISION			Write '1' to enable interrupt for event COLLISION																									

Bit number	31 30 29 28 27 26 25 24 23 22 21 20 19 18 17 16 15 14 13 12 11 10 9 8 7 6 5 4 3 2 1 0																																			
ID																T	S	R				N	M	L	K				H	G	F	E	D	C	B	A
Reset 0x00000000	0 0																																			
ID	Acce	Field	Value ID	Value	Description																															
			Set	1	Enable																															
			Disabled	0	Read: Disabled																															
			Enabled	1	Read: Enabled																															
S	RW	SELECTED			Write '1' to enable interrupt for event SELECTED																															
			Set	1	Enable																															
			Disabled	0	Read: Disabled																															
			Enabled	1	Read: Enabled																															
T	RW	STARTED			Write '1' to enable interrupt for event STARTED																															
			Set	1	Enable																															
			Disabled	0	Read: Disabled																															
			Enabled	1	Read: Enabled																															

6.13.14.26 INTENCLR

Address offset: 0x308

Disable interrupt

Bit number	31 30 29 28 27 26 25 24 23 22 21 20 19 18 17 16 15 14 13 12 11 10 9 8 7 6 5 4 3 2 1 0																																			
ID																T	S	R				N	M	L	K				H	G	F	E	D	C	B	A
Reset 0x00000000	0 0																																			
ID	Acce	Field	Value ID	Value	Description																															
A	RW	READY			Write '1' to disable interrupt for event READY																															
			Clear	1	Disable																															
			Disabled	0	Read: Disabled																															
			Enabled	1	Read: Enabled																															
B	RW	FIELDDETECTED			Write '1' to disable interrupt for event FIELDDETECTED																															
			Clear	1	Disable																															
			Disabled	0	Read: Disabled																															
			Enabled	1	Read: Enabled																															
C	RW	FIELDLOST			Write '1' to disable interrupt for event FIELDLOST																															
			Clear	1	Disable																															
			Disabled	0	Read: Disabled																															
			Enabled	1	Read: Enabled																															
D	RW	TXFRAMESTART			Write '1' to disable interrupt for event TXFRAMESTART																															
			Clear	1	Disable																															
			Disabled	0	Read: Disabled																															
			Enabled	1	Read: Enabled																															
E	RW	TXFRAMEEND			Write '1' to disable interrupt for event TXFRAMEEND																															
			Clear	1	Disable																															
			Disabled	0	Read: Disabled																															
			Enabled	1	Read: Enabled																															
F	RW	RXFRAMESTART			Write '1' to disable interrupt for event RXFRAMESTART																															
			Clear	1	Disable																															
			Disabled	0	Read: Disabled																															
			Enabled	1	Read: Enabled																															
G	RW	RXFRAMEEND			Write '1' to disable interrupt for event RXFRAMEEND																															
			Clear	1	Disable																															
			Disabled	0	Read: Disabled																															
			Enabled	1	Read: Enabled																															

Bit number	31 30 29 28 27 26 25 24 23 22 21 20 19 18 17 16 15 14 13 12 11 10 9 8 7 6 5 4 3 2 1 0																																													
ID																												T	S	R	N			M	L	K	H			G	F	E	D	C	B	A
Reset	0x00000000																																													
ID	Acce Field	Value ID	Value	Description																																										
H	RW ERROR			Write '1' to disable interrupt for event ERROR																																										
		Clear	1	Disable																																										
		Disabled	0	Read: Disabled																																										
		Enabled	1	Read: Enabled																																										
K	RW RXERROR			Write '1' to disable interrupt for event RXERROR																																										
		Clear	1	Disable																																										
		Disabled	0	Read: Disabled																																										
		Enabled	1	Read: Enabled																																										
L	RW ENDRX			Write '1' to disable interrupt for event ENDRX																																										
		Clear	1	Disable																																										
		Disabled	0	Read: Disabled																																										
		Enabled	1	Read: Enabled																																										
M	RW ENDTX			Write '1' to disable interrupt for event ENDTX																																										
		Clear	1	Disable																																										
		Disabled	0	Read: Disabled																																										
		Enabled	1	Read: Enabled																																										
N	RW AUTOCOLRESSTARTED			Write '1' to disable interrupt for event AUTOCOLRESSTARTED																																										
		Clear	1	Disable																																										
		Disabled	0	Read: Disabled																																										
		Enabled	1	Read: Enabled																																										
R	RW COLLISION			Write '1' to disable interrupt for event COLLISION																																										
		Clear	1	Disable																																										
		Disabled	0	Read: Disabled																																										
		Enabled	1	Read: Enabled																																										
S	RW SELECTED			Write '1' to disable interrupt for event SELECTED																																										
		Clear	1	Disable																																										
		Disabled	0	Read: Disabled																																										
		Enabled	1	Read: Enabled																																										
T	RW STARTED			Write '1' to disable interrupt for event STARTED																																										
		Clear	1	Disable																																										
		Disabled	0	Read: Disabled																																										
		Enabled	1	Read: Enabled																																										

6.13.14.27 ERRORSTATUS

Address offset: 0x404

NFC Error Status register

Write a bit to '1' to clear it. Writing '0' has no effect.

Bit number	31 30 29 28 27 26 25 24 23 22 21 20 19 18 17 16 15 14 13 12 11 10 9 8 7 6 5 4 3 2 1 0																														
ID																															A
Reset	0x00000000																														
ID	Acce Field	Value ID	Value	Description																											
A	RW FRAMEDELAYTIMEOUT			No STARTTX task triggered before expiration of the time set in FRAMEDELAYMAX																											

6.13.14.28 FRAMESTATUS.RX

Address offset: 0x40C

Result of last incoming frame

Write a bit to '1' to clear it. Writing '0' has no effect.

Bit number	31 30 29 28 27 26 25 24 23 22 21 20 19 18 17 16 15 14 13 12 11 10 9 8 7 6 5 4 3 2 1 0																															
ID																														C	B	A
Reset 0x00000000	0 0																															
ID	Acce Field	Value ID	Value	Description																												
A	RW CRCERROR			No valid end of frame (EoF) detected																												
		CRCCorrect	0	Valid CRC detected																												
		CRCErrror	1	CRC received does not match local check																												
B	RW PARITYSTATUS			Parity status of received frame																												
		ParityOK	0	Frame received with parity OK																												
		ParityError	1	Frame received with parity error																												
C	RW OVERRUN			Overrun detected																												
		NoOverrun	0	No overrun detected																												
		Overrun	1	Overrun error																												

6.13.14.29 NFCTAGSTATE

Address offset: 0x410

NfcTag state register

Bit number	31 30 29 28 27 26 25 24 23 22 21 20 19 18 17 16 15 14 13 12 11 10 9 8 7 6 5 4 3 2 1 0																															
ID																														A	A	A
Reset 0x00000000	0 0																															
ID	Acce Field	Value ID	Value	Description																												
A	R NFCTAGSTATE			NfcTag state																												
		Disabled	0	Disabled or sense																												
		RampUp	2	RampUp																												
		Idle	3	Idle																												
		Receive	4	Receive																												
		FrameDelay	5	FrameDelay																												
		Transmit	6	Transmit																												

6.13.14.30 SLEEPSTATE

Address offset: 0x420

Sleep state during automatic collision resolution

Bit number	31	30	29	28	27	26	25	24	23	22	21	20	19	18	17	16	15	14	13	12	11	10	9	8	7	6	5	4	3	2	1	0	
ID																																A	
Reset	0x00000000																																
0	0	0	0	0	0	0	0	0	0	0	0	0	0	0	0	0	0	0	0	0	0	0	0	0	0	0	0	0	0	0	0	0	0
ID	Acce	Field	Value ID	Value	Description																												
A	R	SLEEPSTATE			Reflects the sleep state during automatic collision resolution. Set to IDLE by a GOIDLE task. Set to SLEEP_A when a valid SLEEP_REQ frame is received or by a GOSLEEP task.																												
			Idle	0	State is IDLE.																												
			SleepA	1	State is SLEEP_A.																												

6.13.14.31 FIELDPRESENT

Address offset: 0x43C

Indicates the presence or not of a valid field

Bit number	31	30	29	28	27	26	25	24	23	22	21	20	19	18	17	16	15	14	13	12	11	10	9	8	7	6	5	4	3	2	1	0	
ID																																B	A
Reset	0x00000000																																
0	0	0	0	0	0	0	0	0	0	0	0	0	0	0	0	0	0	0	0	0	0	0	0	0	0	0	0	0	0	0	0	0	
ID	Acce	Field	Value ID	Value	Description																												
A	R	FIELDPRESENT			Indicates if a valid field is present. Available only in the activated state.																												
			NoField	0	No valid field detected																												
			FieldPresent	1	Valid field detected																												
B	R	LOCKDETECT			Indicates if the low level has locked to the field																												
			NotLocked	0	Not locked to field																												
			Locked	1	Locked to field																												

6.13.14.32 FRAMEDELAYMIN

Address offset: 0x504

Minimum frame delay

Bit number	31	30	29	28	27	26	25	24	23	22	21	20	19	18	17	16	15	14	13	12	11	10	9	8	7	6	5	4	3	2	1	0																					
ID																									A	A	A	A	A	A	A	A	A	A	A	A	A	A	A	A	A	A	A	A	A	A	A	A	A	A	A	A	A
Reset	0x00000480																																																				
0	0	0	0	0	0	0	0	0	0	0	0	0	0	0	0	0	0	0	0	0	0	0	0	0	0	0	0	0	0	0	0	0																					
ID	Acce	Field	Value ID	Value	Description																																																
A	RW	FRAMEDELAYMIN			Minimum frame delay in number of 13.56 MHz clocks																																																

6.13.14.33 FRAMEDELAYMAX

Address offset: 0x508

Maximum frame delay

Bit number	31	30	29	28	27	26	25	24	23	22	21	20	19	18	17	16	15	14	13	12	11	10	9	8	7	6	5	4	3	2	1	0											
ID															A	A	A	A	A	A	A	A	A	A	A	A	A	A	A	A	A	A	A	A	A	A	A	A	A	A	A	A	A
Reset	0x00001000																																										
0	0	0	0	0	0	0	0	0	0	0	0	0	0	0	0	0	0	0	0	0	0	0	0	0	0	0	0	0	0	0	0	0											
ID	Acce	Field	Value ID	Value	Description																																						
A	RW	FRAMEDELAYMAX			Maximum frame delay in number of 13.56 MHz clocks																																						

6.13.14.34 FRAMEDELAYMODE

Address offset: 0x50C

Configuration register for the Frame Delay Timer

Bit number	31 30 29 28 27 26 25 24 23 22 21 20 19 18 17 16 15 14 13 12 11 10 9 8 7 6 5 4 3 2 1 0																															
ID																															A	A
Reset 0x00000001	0 1																															
ID	Acce	Field	Value ID	Value	Description																											
A	RW	FRAMEDELAYMODE			Configuration register for the Frame Delay Timer																											
			FreeRun	0	Transmission is independent of frame timer and will start when the STARTTX task is triggered. No timeout.																											
			Window	1	Frame is transmitted between FRAMEDELAYMIN and FRAMEDELAYMAX																											
			ExactVal	2	Frame is transmitted exactly at FRAMEDELAYMAX																											
			WindowGrid	3	Frame is transmitted on a bit grid between FRAMEDELAYMIN and FRAMEDELAYMAX																											

6.13.14.35 PACKETPTR

Address offset: 0x510

Packet pointer for TXD and RXD data storage in Data RAM

Bit number	31 30 29 28 27 26 25 24 23 22 21 20 19 18 17 16 15 14 13 12 11 10 9 8 7 6 5 4 3 2 1 0																																
ID	A	A	A	A	A	A	A	A	A	A	A	A	A	A	A	A	A	A	A	A	A	A	A	A	A	A	A	A	A	A	A	A	A
Reset 0x00000000	0 0																																
ID	Acce	Field	Value ID	Value	Description																												
A	RW	PTR			Packet pointer for TXD and RXD data storage in Data RAM. This address is a byte-aligned RAM address.																												

Note: See the memory chapter for details about which memories are available for EasyDMA.

6.13.14.36 MAXLEN

Address offset: 0x514

Size of the RAM buffer allocated to TXD and RXD data storage each

Bit number	31 30 29 28 27 26 25 24 23 22 21 20 19 18 17 16 15 14 13 12 11 10 9 8 7 6 5 4 3 2 1 0																															
ID	A	A	A	A	A	A	A	A	A	A	A	A	A	A	A	A	A	A	A	A	A	A	A	A	A	A	A	A	A	A	A	A
Reset 0x00000000	0 0																															
ID	Acce	Field	Value ID	Value	Description																											
A	RW	MAXLEN		[0..257]	Size of the RAM buffer allocated to TXD and RXD data storage each																											

6.13.14.37 TXD.FRAMECONFIG

Address offset: 0x518

Configuration of outgoing frames

Bit number	31 30 29 28 27 26 25 24 23 22 21 20 19 18 17 16 15 14 13 12 11 10 9 8 7 6 5 4 3 2 1 0																																					
ID																														D	C	B	A					
Reset 0x00000017	0 1 0 1 1 1																																					
ID	Acce Field	Value ID	Value	Description																																		
A	RW	PARITY		Indicates if parity is added to the frame																																		
			NoParity	0	Parity is not added to TX frames																																	
		Parity	1	Parity is added to TX frames																																		
B	RW	DISCARDMODE		Discarding unused bits at start or end of a frame																																		
			DiscardEnd	0	Unused bits are discarded at end of frame (EoF)																																	
			DiscardStart	1	Unused bits are discarded at start of frame (SoF)																																	
C	RW	SOF		Adding SoF or not in TX frames																																		
			NoSoF	0	SoF symbol not added																																	
			SoF	1	SoF symbol added																																	
D	RW	CRCMODETX		CRC mode for outgoing frames																																		
			NoCRCTX	0	CRC is not added to the frame																																	
			CRC16TX	1	16 bit CRC added to the frame based on all the data read from RAM that is used in the frame																																	

6.13.14.38 TXD.AMOUNT

Address offset: 0x51C

Size of outgoing frame

Bit number	31 30 29 28 27 26 25 24 23 22 21 20 19 18 17 16 15 14 13 12 11 10 9 8 7 6 5 4 3 2 1 0																																															
ID																														B	B	B	B	B	B	B	B	B	B	A	A	A						
Reset 0x00000000	0 0																																															
ID	Acce Field	Value ID	Value	Description																																												
A	RW	TXDATABITS	[0..7]	Number of bits in the last or first byte read from RAM that shall be included in the frame (excluding parity bit).																																												
				The DISCARDMODE field in FRAMECONFIG.TX selects if unused bits is discarded at the start or at the end of a frame. A value of 0 data bytes and 0 data bits is invalid.																																												
B	RW	TXDATABYTES	[0..257]	Number of complete bytes that shall be included in the frame, excluding CRC, parity and framing																																												

6.13.14.39 RXD.FRAMECONFIG

Address offset: 0x520

Configuration of incoming frames

Bit number		31 30 29 28 27 26 25 24 23 22 21 20 19 18 17 16 15 14 13 12 11 10 9 8 7 6 5 4 3 2 1 0																												
ID																												C	B	A
Reset 0x00000015		0 1 0 1 0 1																												
ID	Acce Field	Value ID	Value	Description																										
A	RW PARITY	NoParity	0	Indicates if parity expected in RX frame Parity is not expected in RX frames																										
		Parity	1	Parity is expected in RX frames																										
B	RW SOF	NoSoF	0	SoF expected or not in RX frames SoF symbol is not expected in RX frames																										
		SoF	1	SoF symbol is expected in RX frames																										
C	RW CRCMODERX	NoCRCRX	0	CRC mode for incoming frames CRC is not expected in RX frames																										
		CRC16RX	1	Last 16 bits in RX frame is CRC, CRC is checked and CRCSTATUS updated																										

6.13.14.40 RXD.AMOUNT

Address offset: 0x524

Size of last incoming frame

Bit number		31 30 29 28 27 26 25 24 23 22 21 20 19 18 17 16 15 14 13 12 11 10 9 8 7 6 5 4 3 2 1 0																																					
ID																												B	B	B	B	B	B	B	B	B	A	A	A
Reset 0x00000000		0 0																																					
ID	Acce Field	Value ID	Value	Description																																			
A	R RXDATABITS			Number of bits in the last byte in the frame, if less than 8 (including CRC, but excluding parity and SoF/EoF framing). Frames with 0 data bytes and less than 7 data bits are invalid and are not received properly.																																			
B	R RXDATABYTES			Number of complete bytes received in the frame (including CRC, but excluding parity and SoF/EoF framing)																																			

6.13.14.41 MODULATIONCTRL

Address offset: 0x52C

Enables the modulation output to a GPIO pin which can be connected to a second external antenna.

See [MODULATIONPSEL](#) for GPIO configuration.

Bit number		31 30 29 28 27 26 25 24 23 22 21 20 19 18 17 16 15 14 13 12 11 10 9 8 7 6 5 4 3 2 1 0																											
ID																												A	A
Reset 0x00000001		0 1																											
ID	Acce Field	Value ID	Value	Description																									
A	RW MODULATIONCTRL	Invalid	0x0	Configuration of modulation control. Invalid, defaults to same behaviour as for Internal																									
		Internal	0x1	Use internal modulator only																									
		ModToGpio	0x2	Output digital modulation signal to a GPIO pin.																									
		InternalAndModToGpio	0x3	Use internal modulator and output digital modulation signal to a GPIO pin.																									

6.13.14.42 MODULATIONPSEL

Address offset: 0x538

Pin select for Modulation control.

Bit number	31 30 29 28 27 26 25 24 23 22 21 20 19 18 17 16 15 14 13 12 11 10 9 8 7 6 5 4 3 2 1 0																																		
ID	C																											B				A	A	A	A
Reset 0xFFFFFFFF	1 1																																		
ID	Acce Field	Value ID	Value	Description																															
A	RW PIN		[0..31]	Pin number																															
B	RW PORT		[0..1]	Port number																															
C	RW CONNECT			Connection																															
		Disconnected	1	Disconnect																															
		Connected	0	Connect																															

6.13.14.43 NFCID1_LAST

Address offset: 0x590

Last NFCID1 part (4, 7 or 10 bytes ID)

Bit number	31 30 29 28 27 26 25 24 23 22 21 20 19 18 17 16 15 14 13 12 11 10 9 8 7 6 5 4 3 2 1 0																														
ID	D D D D D D D D																	C C C C C C C C C C B B B B B B B A A A A A A A A													
Reset 0x00006363	0 0 0 0 0 0 0 0 0 0 0 0 0 0 0 0 0 0 1 1 0 0 0 1 1 0 1 1 0 0 0 1 1																														
ID	Acce Field	Value ID	Value	Description																											
A	RW NFCID1_Z			NFCID1 byte Z (very last byte sent)																											
B	RW NFCID1_Y			NFCID1 byte Y																											
C	RW NFCID1_X			NFCID1 byte X																											
D	RW NFCID1_W			NFCID1 byte W																											

6.13.14.44 NFCID1_2ND_LAST

Address offset: 0x594

Second last NFCID1 part (7 or 10 bytes ID)

Bit number	31 30 29 28 27 26 25 24 23 22 21 20 19 18 17 16 15 14 13 12 11 10 9 8 7 6 5 4 3 2 1 0																														
ID																					C C C C C C C C C C B B B B B B B A A A A A A A A										
Reset 0x00000000	0 0																														
ID	Acce Field	Value ID	Value	Description																											
A	RW NFCID1_V			NFCID1 byte V																											
B	RW NFCID1_U			NFCID1 byte U																											
C	RW NFCID1_T			NFCID1 byte T																											

6.13.14.45 NFCID1_3RD_LAST

Address offset: 0x598

Third last NFCID1 part (10 bytes ID)

Bit number	31 30 29 28 27 26 25 24 23 22 21 20 19 18 17 16 15 14 13 12 11 10 9 8 7 6 5 4 3 2 1 0																														
ID																				C C C C C C C C C C B B B B B B B A A A A A A A A											
Reset 0x00000000	0 0																														
ID	Acce Field	Value ID	Value	Description																											
A	RW NFCID1_S			NFCID1 byte S																											
B	RW NFCID1_R			NFCID1 byte R																											
C	RW NFCID1_Q			NFCID1 byte Q																											

6.13.14.46 AUTOCOLRESCONFIG

Address offset: 0x59C

Controls the auto collision resolution function. This setting must be done before the NFCT peripheral is activated.

When modifying this register bit 1 must be written to '1'.

Bit number	31 30 29 28 27 26 25 24 23 22 21 20 19 18 17 16 15 14 13 12 11 10 9 8 7 6 5 4 3 2 1 0																														
ID	A																														
Reset 0x00000002	0 1 0																														
ID	Acce Field	Value ID	Value	Description																											
A	RW MODE			Enables/disables auto collision resolution																											
		Enabled	0	Auto collision resolution enabled																											
		Disabled	1	Auto collision resolution disabled																											

6.13.14.47 SENSRES

Address offset: 0x5A0

NFC-A SENS_RES auto-response settings

Bit number	31 30 29 28 27 26 25 24 23 22 21 20 19 18 17 16 15 14 13 12 11 10 9 8 7 6 5 4 3 2 1 0																														
ID	E E E E D D D C C B A A A A A																														
Reset 0x00000001	0 1																														
ID	Acce Field	Value ID	Value	Description																											
A	RW BITFRAMESDD			Bit frame SDD as defined by the b5:b1 of byte 1 in SENS_RES response in the NFC Forum, NFC Digital Protocol Technical Specification																											
		SDD00000	0	SDD pattern 00000																											
		SDD00001	1	SDD pattern 00001																											
		SDD00010	2	SDD pattern 00010																											
		SDD00100	4	SDD pattern 00100																											
		SDD01000	8	SDD pattern 01000																											
		SDD10000	16	SDD pattern 10000																											
B	RW RFU5			Reserved for future use. Shall be 0.																											
C	RW NFCIDSIZE			NFCID1 size. This value is used by the auto collision resolution engine.																											
		NFCID1Single	0	NFCID1 size: single (4 bytes)																											
		NFCID1Double	1	NFCID1 size: double (7 bytes)																											
		NFCID1Triple	2	NFCID1 size: triple (10 bytes)																											
D	RW PLATFCONFIG			Tag platform configuration as defined by the b4:b1 of byte 2 in SENS_RES response in the NFC Forum, NFC Digital Protocol Technical Specification																											
E	RW RFU74			Reserved for future use. Shall be 0.																											

6.13.14.48 SELRES

Address offset: 0x5A4

NFC-A SEL_RES auto-response settings

Bit number	31	30	29	28	27	26	25	24	23	22	21	20	19	18	17	16	15	14	13	12	11	10	9	8	7	6	5	4	3	2	1	0																									
ID																												E	D	D	C	C	B	A	A																						
Reset 0x00000000	0																											0	0	0	0	0	0	0	0	0	0	0	0	0	0	0	0	0	0	0	0	0	0	0	0	0	0	0	0	0	0
ID	Acce Field	Value ID	Value	Description																																																					
A	RW	RFU10		Reserved for future use. Shall be 0.																																																					
B	RW	CASCADE		Cascade as defined by the b3 of SEL_RES response in the NFC Forum, NFC Digital Protocol Technical Specification (controlled by hardware, shall be 0)																																																					
C	RW	RFU43		Reserved for future use. Shall be 0.																																																					
D	RW	PROTOCOL		Protocol as defined by the b7:b6 of SEL_RES response in the NFC Forum, NFC Digital Protocol Technical Specification																																																					
E	RW	RFU7		Reserved for future use. Shall be 0.																																																					

6.13.15 Electrical specification

6.13.15.1 NFCT Electrical Specification

Symbol	Description	Min.	Typ.	Max.	Units
f_c	Frequency of operation		13.56		MHz
C_{MI}	Carrier modulation index	95			%
DR	Data Rate		106		kbps
V_{sense}	Peak differential Field detect threshold level on NFC1-NFC2 ¹⁵		1.2		Vp
I_{max}	Maximum input current on NFCT pins			80	mA

6.13.15.2 NFCT Timing Parameters

Symbol	Description	Min.	Typ.	Max.	Units
$t_{activate}$	Time from task_ACTIVATE in SENSE or DISABLE state to ACTIVATE_A or IDLE state ¹⁶			500	μ s
t_{sense}	Time from remote field is present in SENSE mode to FIELDDETECTED event is asserted			20	μ s

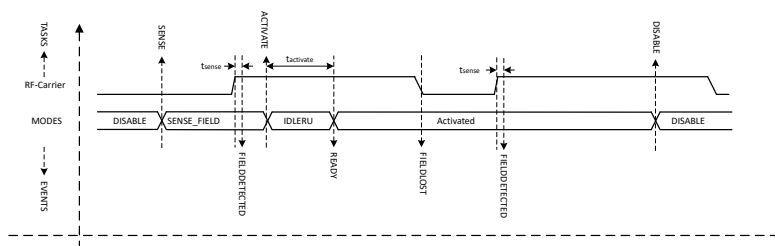


Figure 68: NFCT timing parameters (Shortcuts for FIELDDETECTED and FIELDLOST are disabled)

6.14 PDM — Pulse density modulation interface

The pulse density modulation (PDM) module enables input of pulse density modulated signals from external audio frontends, for example, digital microphones. The PDM module generates the PDM clock

¹⁵ Input is high impedance in sense mode

¹⁶ Does not account for voltage supply and oscillator startup times

and supports single-channel or dual-channel (left and right) data input. Data is transferred directly to RAM buffers using EasyDMA.

Listed here are the main features for PDM:

- Up to two PDM microphones configured as a left/right pair using the same data input
- 16 kHz output sample rate, 16-bit samples
- EasyDMA support for sample buffering
- HW decimation filters
- Selectable ratio of 64 or 80 between PDM_CLK and output sample rate

The PDM module illustrated below is interfacing up to two digital microphones with the PDM interface. EasyDMA is implemented to relieve the real-time requirements associated with controlling of the PDM slave from a low priority CPU execution context. It also includes all the necessary digital filter elements to produce pulse code modulation (PCM) samples. The PDM module allows continuous audio streaming.

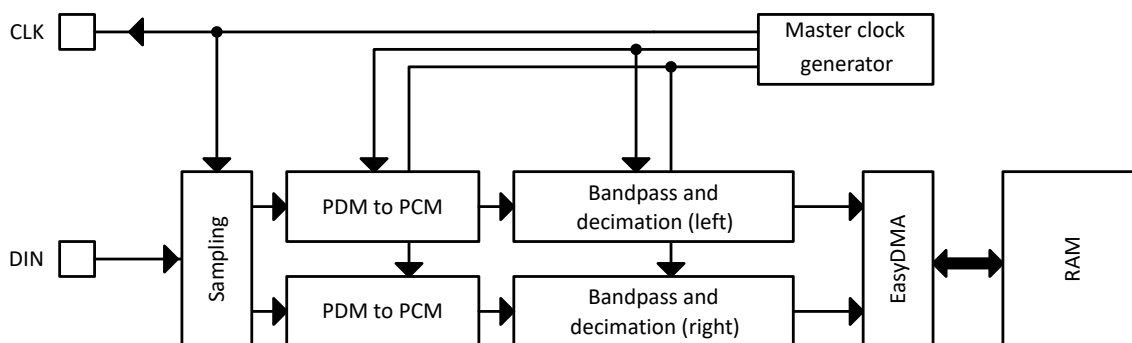


Figure 69: PDM module

6.14.1 Master clock generator

The master clock generator's PDMCLKCTRL register allows adjusting the PDM clock's frequency.

The master clock generator does not add any jitter to the HFCLK source chosen. It is recommended (but not mandatory) to use the Xtal as HFCLK source.

6.14.2 Module operation

By default, bits from the left PDM microphone are sampled on PDM_CLK falling edge, and bits for the right are sampled on the rising edge of PDM_CLK, resulting in two bitstreams. Each bitstream is fed into a digital filter which converts the PDM stream into 16-bit PCM samples, then filters and down-samples them to reach the appropriate sample rate.

The EDGE field in the MODE register allows swapping left and right, so that left will be sampled on rising edge, and right on falling.

The PDM module uses EasyDMA to store the samples coming out from the filters into one buffer in RAM. Depending on the mode chosen in the OPERATION field in the MODE register, memory either contains alternating left and right 16-bit samples (Stereo), or only left 16-bit samples (Mono). To ensure continuous PDM sampling, it is up to the application to update the EasyDMA destination address pointer as the previous buffer is filled.

The continuous transfer can be started or stopped by sending the START and STOP tasks. STOP becomes effective after the current frame has finished transferring, which will generate the STOPPED event. The STOPPED event indicates that all activity in the module is finished, and that the data is available in RAM (EasyDMA has finished transferring as well). Attempting to restart before receiving the STOPPED event may result in unpredictable behavior.

6.14.3 Decimation filter

In order to convert the incoming data stream into PCM audio samples, a decimation filter is included in the PDM interface module.

The input of the filter is the two-channel PDM serial stream (with left channel on clock high, right channel on clock low). Depending on the **RATIO** selected, its output is 2×16 -bit PCM samples at a sample rate either 64 times or 80 times (depending on the **RATIO** register) lower than the PDM clock rate.

The filter stage of each channel is followed by a digital volume control, to attenuate or amplify the output samples in a range of -20 dB to +20 dB around the default (reset) setting, defined by $G_{\text{PDM,default}}$. The gain is controlled by the **GAINL** and **GAINR** registers.

As an example, if the goal is to achieve 2500 RMS output samples (16-bit) with a 1 kHz 90 dBA signal into a -26 dBFS sensitivity PDM microphone, do the following:

- Sum the PDM module's default gain ($G_{\text{PDM,default}}$) and the gain introduced by the microphone and acoustic path of his implementation (an attenuation would translate into a negative gain)
- Adjust **GAINL** and **GAINR** by the above summed amount. Assuming that only the PDM module influences the gain, **GAINL** and **GAINR** must be set to $-G_{\text{PDM,default}}$ dB to achieve the requirement.

With $G_{\text{PDM,default}}=3.2$ dB, and as **GAINL** and **GAINR** are expressed in 0.5 dB steps, the closest value to program would be 3.0 dB, which can be calculated as:

$$\text{GAINL} = \text{GAINR} = (\text{DefaultGain} - (2 * 3))$$

Remember to check that the resulting values programmed into **GAINL** and **GAINR** fall within **MinGain** and **MaxGain**.

6.14.4 EasyDMA

Samples will be written directly to RAM, and EasyDMA must be configured accordingly.

The address pointer for the EasyDMA channel is set in **SAMPLE.PTR** register. If the destination address set in **SAMPLE.PTR** is not pointing to the Data RAM region, an EasyDMA transfer may result in a **HardFault** or RAM corruption. See [Memory](#) on page 19 for more information about the different memory regions.

DMA supports Stereo (Left+Right 16-bit samples) and Mono (Left only) data transfer, depending on the setting in the **OPERATION** field in the **MODE** register. The samples are stored little endian.

MODE.OPERATION	Bits per sample	Result stored per RAM word	Physical RAM allocated (32-bit words)	Result boundary indexes in RAM	Note
Stereo	32 (2x16)	L+R	$\text{ceil}(\text{SAMPLE.MAXCNT}/2)$	R0=[31:16]; L0=[15:0]	Default
Mono	16	2xL	$\text{ceil}(\text{SAMPLE.MAXCNT}/2)$	L1=[31:16]; L0=[15:0]	

Table 60: DMA sample storage

The destination buffer in RAM consists of one block, the size of which is set in **SAMPLE.MAXCNT** register. Format is number of 16-bit samples. The physical RAM allocated is always:

$$(\text{RAM allocation, in bytes}) = \text{SAMPLE.MAXCNT} * 2;$$

(but the mapping of the samples depends on **MODE.OPERATION**.)

If **OPERATION**=Stereo, RAM will contain a succession of left and right samples.

If **OPERATION**=Mono, RAM will contain a succession of left only samples.

For a given value of `SAMPLE.MAXCNT`, the buffer in RAM can contain half the stereo sampling time as compared to the mono sampling time.

The PDM acquisition can be started by the `START` task, after the `SAMPLE.PTR` and `SAMPLE.MAXCNT` registers have been written. When starting the module, it will take some time for the filters to start outputting valid data. Transients from the PDM microphone itself may also occur. The first few samples (typically around 50) might hence contain invalid values or transients. It is therefore advised to discard the first few samples after a PDM start.

As soon as the `STARTED` event is received, the firmware can write the next `SAMPLE.PTR` value (this register is double-buffered), to ensure continuous operation.

When the buffer in RAM is filled with samples, an `END` event is triggered. The firmware can start processing the data in the buffer. Meanwhile, the PDM module starts acquiring data into the new buffer pointed to by `SAMPLE.PTR`, and sends a new `STARTED` event, so that the firmware can update `SAMPLE.PTR` to the next buffer address.

6.14.5 Hardware example

PDM can be configured with a single microphone (mono), or with two microphones.

When a single microphone is used, connect the microphone clock to `CLK`, and data to `DIN`.

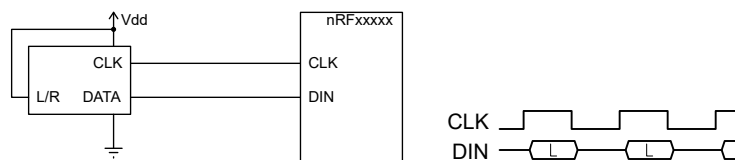


Figure 70: Example of a single PDM microphone, wired as left

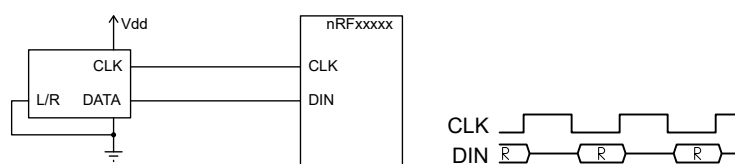


Figure 71: Example of a single PDM microphone, wired as right

Note that in a single-microphone (mono) configuration, depending on the microphone's implementation, either the left or the right channel (sampled at falling or rising CLK edge respectively) will contain reliable data.

If two microphones are used, one of them has to be set as left, the other as right (L/R pin tied high or to GND on the respective microphone). It is strongly recommended to use two microphones of exactly the same brand and type so that their timings in left and right operation match.

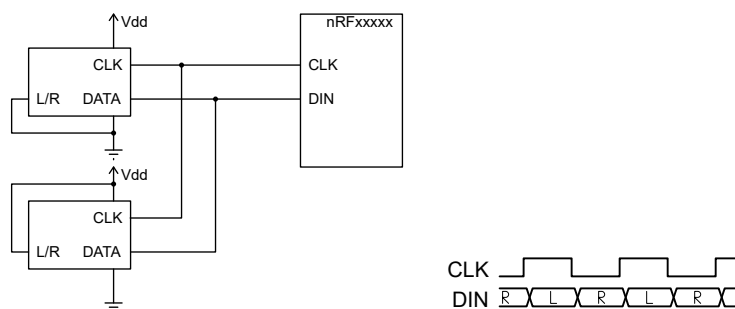


Figure 72: Example of two PDM microphones

6.14.6 Pin configuration

The CLK and DIN signals associated to the PDM module are mapped to physical pins according to the configuration specified in the PSEL.CLK and PSEL.DIN registers respectively. If the CONNECT field in any PSEL register is set to Disconnected, the associated PDM module signal will not be connected to the required physical pins, and will not operate properly.

The PSEL.CLK and PSEL.DIN registers and their configurations are only used as long as the PDM module is enabled, and retained only as long as the device is in System ON mode. See [POWER — Power supply](#) on page 61 for more information about power modes. When the peripheral is disabled, the pins will behave as regular GPIOs, and use the configuration in their respective OUT bit field and PIN_CNF[n] register.

To ensure correct behavior in the PDM module, the pins used by the PDM module must be configured in the GPIO peripheral as described in [GPIO configuration before enabling peripheral](#) on page 231 before enabling the PDM module. This is to ensure that the pins used by the PDM module are driven correctly if the PDM module itself is temporarily disabled or the device temporarily enters System OFF. This configuration must be retained in the GPIO for the selected I/Os as long as the PDM module is supposed to be connected to an external PDM circuit.

Only one peripheral can be assigned to drive a particular GPIO pin at a time. Failing to do so may result in unpredictable behavior.

PDM signal	PDM pin	Direction	Output value	Comment
CLK	As specified in PSEL.CLK	Output	0	
DIN	As specified in PSEL.DIN	Input	Not applicable	

Table 61: GPIO configuration before enabling peripheral

6.14.7 Registers

Base address	Peripheral	Instance	Description	Configuration
0x4001D000	PDM	PDM	Pulse Density modulation (digital microphone) interface	

Table 62: Instances

Register	Offset	Description
TASKS_START	0x000	Starts continuous PDM transfer
TASKS_STOP	0x004	Stops PDM transfer
EVENTS_STARTED	0x100	PDM transfer has started
EVENTS_STOPPED	0x104	PDM transfer has finished
EVENTS_END	0x108	The PDM has written the last sample specified by SAMPLE.MAXCNT (or the last sample after a STOP task has been received) to Data RAM
INTEN	0x300	Enable or disable interrupt
INTENSET	0x304	Enable interrupt
INTENCLR	0x308	Disable interrupt
ENABLE	0x500	PDM module enable register
PDMCLKCTRL	0x504	PDM clock generator control
MODE	0x508	Defines the routing of the connected PDM microphones' signals
GAINL	0x518	Left output gain adjustment
GAINR	0x51C	Right output gain adjustment
RATIO	0x520	Selects the ratio between PDM_CLK and output sample rate. Change PDMCLKCTRL accordingly.
PSEL.CLK	0x540	Pin number configuration for PDM CLK signal
PSEL.DIN	0x544	Pin number configuration for PDM DIN signal
SAMPLE.PTR	0x560	RAM address pointer to write samples to with EasyDMA

Register	Offset	Description
SAMPLE.MAXCNT	0x564	Number of samples to allocate memory for in EasyDMA mode

Table 63: Register overview

6.14.7.1 TASKS_START

Address offset: 0x000

Starts continuous PDM transfer

Bit number	31 30 29 28 27 26 25 24 23 22 21 20 19 18 17 16 15 14 13 12 11 10 9 8 7 6 5 4 3 2 1 0																														
ID	A																														
Reset 0x00000000	0 0																														
ID	Acce Field	Value ID	Value	Description																											
A	W TASKS_START	Trigger	1	Starts continuous PDM transfer Trigger task																											

6.14.7.2 TASKS_STOP

Address offset: 0x004

Stops PDM transfer

Bit number	31 30 29 28 27 26 25 24 23 22 21 20 19 18 17 16 15 14 13 12 11 10 9 8 7 6 5 4 3 2 1 0																														
ID	A																														
Reset 0x00000000	0 0																														
ID	Acce Field	Value ID	Value	Description																											
A	W TASKS_STOP	Trigger	1	Stops PDM transfer Trigger task																											

6.14.7.3 EVENTS_STARTED

Address offset: 0x100

PDM transfer has started

Bit number	31 30 29 28 27 26 25 24 23 22 21 20 19 18 17 16 15 14 13 12 11 10 9 8 7 6 5 4 3 2 1 0																														
ID	A																														
Reset 0x00000000	0 0																														
ID	Acce Field	Value ID	Value	Description																											
A	RW EVENTS_STARTED	NotGenerated	0	PDM transfer has started Event not generated																											
		Generated	1	Event generated																											

6.14.7.4 EVENTS_STOPPED

Address offset: 0x104

PDM transfer has finished

Bit number	31	30	29	28	27	26	25	24	23	22	21	20	19	18	17	16	15	14	13	12	11	10	9	8	7	6	5	4	3	2	1	0	
ID																																A	
Reset	0x00000000																																
Reset	0	0	0	0	0	0	0	0	0	0	0	0	0	0	0	0	0	0	0	0	0	0	0	0	0	0	0	0	0	0	0	0	0
ID	Acce Field	Value ID	Value	Description																													
A	RW	EVENTS_STOPPED		PDM transfer has finished																													
		NotGenerated	0	Event not generated																													
		Generated	1	Event generated																													

6.14.7.5 EVENTS_END

Address offset: 0x108

The PDM has written the last sample specified by SAMPLE.MAXCNT (or the last sample after a STOP task has been received) to Data RAM

Bit number	31	30	29	28	27	26	25	24	23	22	21	20	19	18	17	16	15	14	13	12	11	10	9	8	7	6	5	4	3	2	1	0
ID																																A
Reset	0x00000000																															
Reset	0	0	0	0	0	0	0	0	0	0	0	0	0	0	0	0	0	0	0	0	0	0	0	0	0	0	0	0	0	0	0	0
ID	Acce Field	Value ID	Value	Description																												
A	RW	EVENTS_END		The PDM has written the last sample specified by SAMPLE.MAXCNT (or the last sample after a STOP task has been received) to Data RAM																												
		NotGenerated	0	Event not generated																												
		Generated	1	Event generated																												

6.14.7.6 INTEN

Address offset: 0x300

Enable or disable interrupt

Bit number	31	30	29	28	27	26	25	24	23	22	21	20	19	18	17	16	15	14	13	12	11	10	9	8	7	6	5	4	3	2	1	0		
ID																																C	B	A
Reset	0x00000000																																	
Reset	0	0	0	0	0	0	0	0	0	0	0	0	0	0	0	0	0	0	0	0	0	0	0	0	0	0	0	0	0	0	0	0		
ID	Acce Field	Value ID	Value	Description																														
A	RW	STARTED		Enable or disable interrupt for event STARTED																														
		Disabled	0	Disable																														
		Enabled	1	Enable																														
B	RW	STOPPED		Enable or disable interrupt for event STOPPED																														
		Disabled	0	Disable																														
		Enabled	1	Enable																														
C	RW	END		Enable or disable interrupt for event END																														
		Disabled	0	Disable																														
		Enabled	1	Enable																														

6.14.7.7 INTENSET

Address offset: 0x304

Enable interrupt

Bit number	31 30 29 28 27 26 25 24 23 22 21 20 19 18 17 16 15 14 13 12 11 10 9 8 7 6 5 4 3 2 1 0																																
ID																															C	B	A
Reset	0x00000000																																
ID	Acce Field	Value ID	Value	Description																													
A	RW	STARTED		Write '1' to enable interrupt for event STARTED																													
			Set	1	Enable																												
			Disabled	0	Read: Disabled																												
		Enabled	1	Read: Enabled																													
B	RW	STOPPED		Write '1' to enable interrupt for event STOPPED																													
			Set	1	Enable																												
			Disabled	0	Read: Disabled																												
		Enabled	1	Read: Enabled																													
C	RW	END		Write '1' to enable interrupt for event END																													
			Set	1	Enable																												
			Disabled	0	Read: Disabled																												
		Enabled	1	Read: Enabled																													

6.14.7.8 INTENCLR

Address offset: 0x308

Disable interrupt

Bit number	31 30 29 28 27 26 25 24 23 22 21 20 19 18 17 16 15 14 13 12 11 10 9 8 7 6 5 4 3 2 1 0																																
ID																															C	B	A
Reset	0x00000000																																
ID	Acce Field	Value ID	Value	Description																													
A	RW	STARTED		Write '1' to disable interrupt for event STARTED																													
			Clear	1	Disable																												
			Disabled	0	Read: Disabled																												
		Enabled	1	Read: Enabled																													
B	RW	STOPPED		Write '1' to disable interrupt for event STOPPED																													
			Clear	1	Disable																												
			Disabled	0	Read: Disabled																												
		Enabled	1	Read: Enabled																													
C	RW	END		Write '1' to disable interrupt for event END																													
			Clear	1	Disable																												
			Disabled	0	Read: Disabled																												
		Enabled	1	Read: Enabled																													

6.14.7.9 ENABLE

Address offset: 0x500

PDM module enable register

Bit number	31 30 29 28 27 26 25 24 23 22 21 20 19 18 17 16 15 14 13 12 11 10 9 8 7 6 5 4 3 2 1 0																																
ID																															A		
Reset	0x00000000																																
ID	Acce Field	Value ID	Value	Description																													
A	RW	ENABLE		Enable or disable PDM module																													
			Disabled	0	Disable																												
			Enabled	1	Enable																												

6.14.7.10 PDMCLKCTRL

Address offset: 0x504

PDM clock generator control

Bit number	31	30	29	28	27	26	25	24	23	22	21	20	19	18	17	16	15	14	13	12	11	10	9	8	7	6	5	4	3	2	1	0
ID	A	A	A	A	A	A	A	A	A	A	A	A	A	A	A	A	A	A	A	A	A	A	A	A	A	A	A	A	A	A	A	A
Reset 0x08400000	0	0	0	0	1	0	0	0	0	1	0	0	0	0	0	0	0	0	0	0	0	0	0	0	0	0	0	0	0	0	0	0
ID	Acce	Field	Value ID	Value	Description																											
A	RW	FREQ			PDM_CLK frequency configuration																											
			1000K	0x08000000	PDM_CLK = 32 MHz / 32 = 1.000 MHz																											
			Default	0x08400000	PDM_CLK = 32 MHz / 31 = 1.032 MHz. Nominal clock for RATIO=Ratio64.																											
			1067K	0x08800000	PDM_CLK = 32 MHz / 30 = 1.067 MHz																											
			1231K	0x09800000	PDM_CLK = 32 MHz / 26 = 1.231 MHz																											
			1280K	0x0A000000	PDM_CLK = 32 MHz / 25 = 1.280 MHz. Nominal clock for RATIO=Ratio80.																											
			1333K	0x0A800000	PDM_CLK = 32 MHz / 24 = 1.333 MHz																											

6.14.7.11 MODE

Address offset: 0x508

Defines the routing of the connected PDM microphones' signals

Bit number	31	30	29	28	27	26	25	24	23	22	21	20	19	18	17	16	15	14	13	12	11	10	9	8	7	6	5	4	3	2	1	0	
ID																																B	A
Reset 0x00000000	0	0	0	0	0	0	0	0	0	0	0	0	0	0	0	0	0	0	0	0	0	0	0	0	0	0	0	0	0	0	0	0	
ID	Acce	Field	Value ID	Value	Description																												
A	RW	OPERATION			Mono or stereo operation																												
			Stereo	0	Sample and store one pair (left + right) of 16-bit samples per RAM word R=[31:16]; L=[15:0]																												
			Mono	1	Sample and store two successive left samples (16 bits each) per RAM word L1=[31:16]; L0=[15:0]																												
B	RW	EDGE			Defines on which PDM_CLK edge left (or mono) is sampled																												
			LeftFalling	0	Left (or mono) is sampled on falling edge of PDM_CLK																												
			LeftRising	1	Left (or mono) is sampled on rising edge of PDM_CLK																												

6.14.7.12 GAINL

Address offset: 0x518

Left output gain adjustment

Bit number	31 30 29 28 27 26 25 24 23 22 21 20 19 18 17 16 15 14 13 12 11 10 9 8 7 6 5 4 3 2 1 0																																																															
ID																														A	A	A	A	A	A																													
Reset 0x00000028	0 1 0 1 0 0 0																																																															
ID	Acce Field	Value ID	Value	Description																																																												
A	RW	GAINL		Left output gain adjustment, in 0.5 dB steps, around the default module gain (see electrical parameters)																																																												
				0x00 -20 dB gain adjust																																																												
				0x01 -19.5 dB gain adjust																																																												
				(...)																																																												
				0x27 -0.5 dB gain adjust																																																												
				0x28 0 dB gain adjust																																																												
				0x29 +0.5 dB gain adjust																																																												
				(...)																																																												
				0x4F +19.5 dB gain adjust																																																												
				0x50 +20 dB gain adjust																																																												
		MinGain	0x00	-20 dB gain adjustment (minimum)																																																												
		DefaultGain	0x28	0 dB gain adjustment																																																												
		MaxGain	0x50	+20 dB gain adjustment (maximum)																																																												

6.14.7.13 GAINR

Address offset: 0x51C

Right output gain adjustment

Bit number	31 30 29 28 27 26 25 24 23 22 21 20 19 18 17 16 15 14 13 12 11 10 9 8 7 6 5 4 3 2 1 0																																																															
ID																														A	A	A	A	A	A																													
Reset 0x00000028	0 1 0 1 0 0 0																																																															
ID	Acce Field	Value ID	Value	Description																																																												
A	RW	GAINR		Right output gain adjustment, in 0.5 dB steps, around the default module gain (see electrical parameters)																																																												
		MinGain	0x00	-20 dB gain adjustment (minimum)																																																												
		DefaultGain	0x28	0 dB gain adjustment																																																												
		MaxGain	0x50	+20 dB gain adjustment (maximum)																																																												

6.14.7.14 RATIO

Address offset: 0x520

Selects the ratio between PDM_CLK and output sample rate. Change PDMCLKCTRL accordingly.

Bit number	31 30 29 28 27 26 25 24 23 22 21 20 19 18 17 16 15 14 13 12 11 10 9 8 7 6 5 4 3 2 1 0																																																																
ID																																																																	A
Reset 0x00000000	0 0																																																																
ID	Acce Field	Value ID	Value	Description																																																													
A	RW	RATIO		Selects the ratio between PDM_CLK and output sample rate																																																													
		Ratio64	0	Ratio of 64																																																													
		Ratio80	1	Ratio of 80																																																													

6.14.7.15 PSEL.CLK

Address offset: 0x540

Pin number configuration for PDM CLK signal

Bit number	31	30	29	28	27	26	25	24	23	22	21	20	19	18	17	16	15	14	13	12	11	10	9	8	7	6	5	4	3	2	1	0
ID	C																															
Reset 0xFFFFFFFF	1 1																															
ID	Acce Field	Value ID	Value	Description																												
A	RW PIN		[0..31]	Pin number																												
B	RW PORT		[0..1]	Port number																												
C	RW CONNECT			Connection																												
		Disconnected	1	Disconnect																												
		Connected	0	Connect																												

6.14.7.16 PSEL.DIN

Address offset: 0x544

Pin number configuration for PDM DIN signal

Bit number	31	30	29	28	27	26	25	24	23	22	21	20	19	18	17	16	15	14	13	12	11	10	9	8	7	6	5	4	3	2	1	0
ID	C																															
Reset 0xFFFFFFFF	1 1																															
ID	Acce Field	Value ID	Value	Description																												
A	RW PIN		[0..31]	Pin number																												
B	RW PORT		[0..1]	Port number																												
C	RW CONNECT			Connection																												
		Disconnected	1	Disconnect																												
		Connected	0	Connect																												

6.14.7.17 SAMPLE.PTR

Address offset: 0x560

RAM address pointer to write samples to with EasyDMA

Bit number	31	30	29	28	27	26	25	24	23	22	21	20	19	18	17	16	15	14	13	12	11	10	9	8	7	6	5	4	3	2	1	0
ID	A A																															
Reset 0x00000000	0 0																															
ID	Acce Field	Value ID	Value	Description																												
A	RW SAMPLEPTR			Address to write PDM samples to over DMA																												

Note: See the memory chapter for details about which memories are available for EasyDMA.

6.14.7.18 SAMPLE.MAXCNT

Address offset: 0x564

Number of samples to allocate memory for in EasyDMA mode

Bit number	31	30	29	28	27	26	25	24	23	22	21	20	19	18	17	16	15	14	13	12	11	10	9	8	7	6	5	4	3	2	1	0
ID	A A																															
Reset 0x00000000	0 0																															
ID	Acce Field	Value ID	Value	Description																												
A	RW BUFFSIZE		[0..32767]	Length of DMA RAM allocation in number of samples																												

6.14.8 Electrical specification

6.14.8.1 PDM Electrical Specification

Symbol	Description	Min.	Typ.	Max.	Units
$f_{\text{PDM,CLK},64}$	PDM clock speed. PDMCLKCTRL = Default (Setting needed for 16 MHz sample frequency @ RATIO = Ratio64)		1.032		MHz
$f_{\text{PDM,CLK},80}$	PDM clock speed. PDMCLKCTRL = 1280K (Setting needed for 16 MHz sample frequency @ RATIO = Ratio80)		1.280		MHz
$t_{\text{PDM,JITTER}}$	Jitter in PDM clock output			20	ns
$T_{\text{dPDM,CLK}}$	PDM clock duty cycle	40	50	60	%
$t_{\text{PDM,DATA}}$	Decimation filter delay			5	ms
$t_{\text{PDM,cv}}$	Allowed clock edge to data valid			125	ns
$t_{\text{PDM,ci}}$	Allowed (other) clock edge to data invalid	0			ns
$t_{\text{PDM,s}}$	Data setup time at $f_{\text{PDM,CLK}}=1.024$ MHz or 1.280 MHz	65			ns
$t_{\text{PDM,h}}$	Data hold time at $f_{\text{PDM,CLK}}=1.024$ MHz or 1.280 MHz	0			ns
$G_{\text{PDM,default}}$	Default (reset) absolute gain of the PDM module		3.2		dB

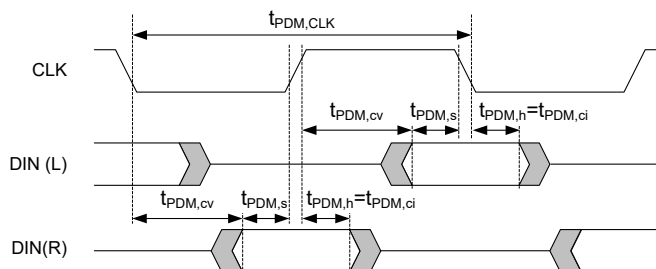


Figure 73: PDM timing diagram

6.15 PPI — Programmable peripheral interconnect

The programmable peripheral interconnect (PPI) enables peripherals to interact autonomously with each other using tasks and events independent of the CPU. The PPI allows precise synchronization between peripherals when real-time application constraints exist and eliminates the need for CPU activity to implement behavior which can be predefined using PPI.

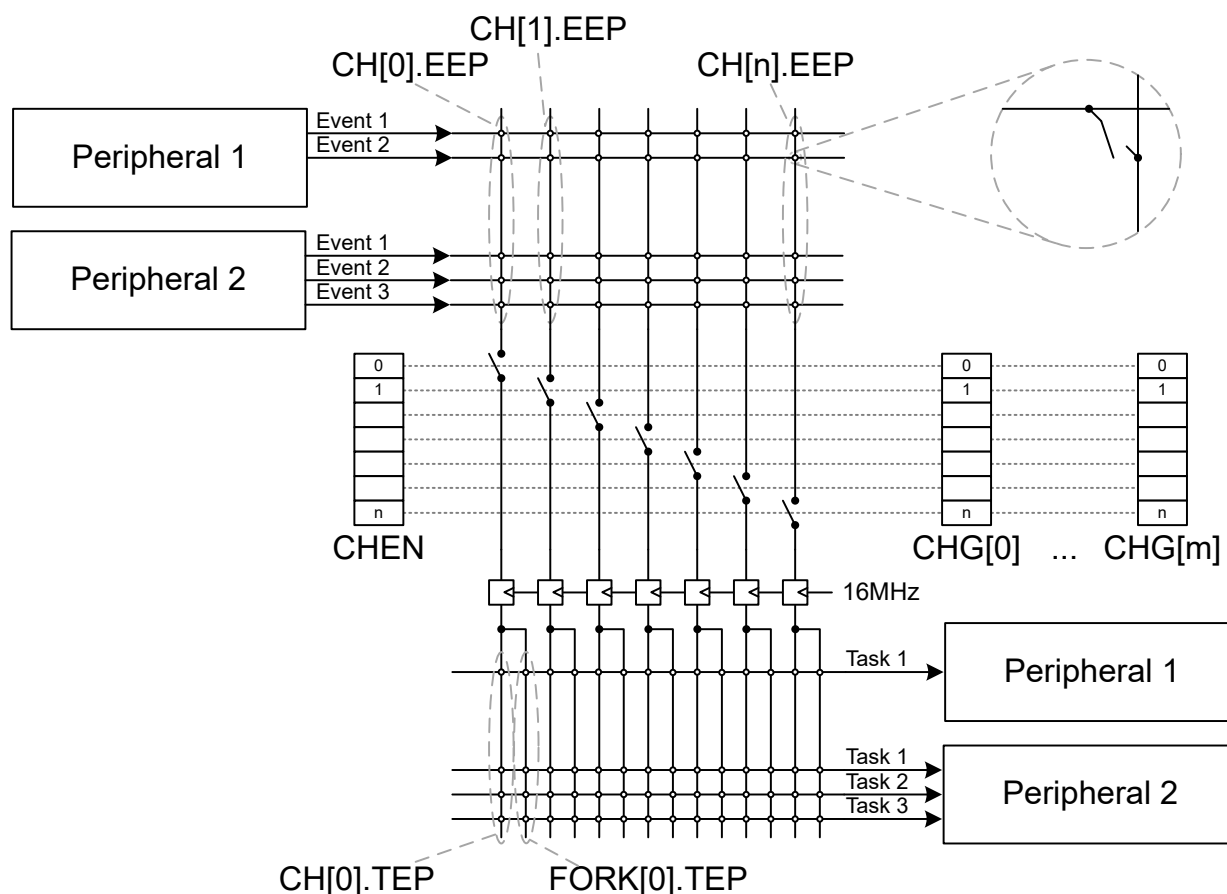


Figure 74: PPI block diagram

The PPI system has, in addition to the fully programmable peripheral interconnections, a set of channels where the event end point (EEP) and task end points (TEP) are fixed in hardware. These fixed channels can be individually enabled, disabled, or added to PPI channel groups (see CHG[n] registers), in the same way as ordinary PPI channels.

Instance	Channel	Number of channels
PPI	0-19	20
PPI (fixed)	20-31	12

Table 64: Configurable and fixed PPI channels

The PPI provides a mechanism to automatically trigger a task in one peripheral as a result of an event occurring in another peripheral. A task is connected to an event through a PPI channel. The PPI channel is composed of three end point registers, one EEP, and two TEPs. A peripheral task is connected to a TEP using the address of the task register associated with the task. Similarly, a peripheral event is connected to an EEP using the address of the event register associated with the event.

On each PPI channel, the signals are synchronized to the 16 MHz clock to avoid any internal violation of setup and hold timings. As a consequence, events that are synchronous to the 16 MHz clock will be delayed by one clock period, while other asynchronous events will be delayed by up to one 16 MHz clock period.

Note: Shortcuts (as defined in the SHORTS register in each peripheral) are not affected by this 16 MHz synchronization, and are therefore not delayed.

Each TEP implements a fork mechanism that enables a second task to be triggered at the same time as the task specified in the TEP is triggered. This second task is configured in the task end point register in the FORK registers groups, e.g. FORK.TEP[0] is associated with PPI channel CH[0].

There are two ways of enabling and disabling PPI channels:

- Enable or disable PPI channels individually using the CHEN, CHENSET, and CHENCLR registers.
- Enable or disable PPI channels in PPI channel groups through the groups' ENABLE and DISABLE tasks. Prior to these tasks being triggered, the PPI channel group must be configured to define which PPI channels belong to which groups.

Note: When a channel belongs to two groups m and n, and the tasks CHG[m].EN and CHG[n].DIS occur simultaneously (m and n can be equal or different), the CHG[m].EN on that channel has priority.

PPI tasks (for example, CHG[0].EN) can be triggered through the PPI like any other task, which means they can be hooked to a PPI channel as a TEP. One event can trigger multiple tasks by using multiple channels and one task can be triggered by multiple events in the same way.

6.15.1 Pre-programmed channels

Some of the PPI channels are pre-programmed. These channels cannot be configured by the CPU, but can be added to groups and enabled and disabled like the general purpose PPI channels. The FORK TEP for these channels are still programmable and can be used by the application.

For a list of pre-programmed PPI channels, see the following table.

Channel	EEP	TEP
20	TIMERO->EVENTS_COMPARE[0]	RADIO->TASKS_TXEN
21	TIMERO->EVENTS_COMPARE[0]	RADIO->TASKS_RXEN
22	TIMERO->EVENTS_COMPARE[1]	RADIO->TASKS_DISABLE
23	RADIO->EVENTS_BCMATCH	AAR->TASKS_START
24	RADIO->EVENTS_READY	CCM->TASKS_KSGEN
25	RADIO->EVENTS_ADDRESS	CCM->TASKS_CRYPT
26	RADIO->EVENTS_ADDRESS	TIMERO->TASKS_CAPTURE[1]
27	RADIO->EVENTS_END	TIMERO->TASKS_CAPTURE[2]
28	RTC0->EVENTS_COMPARE[0]	RADIO->TASKS_TXEN
29	RTC0->EVENTS_COMPARE[0]	RADIO->TASKS_RXEN
30	RTC0->EVENTS_COMPARE[0]	TIMERO->TASKS_CLEAR
31	RTC0->EVENTS_COMPARE[0]	TIMERO->TASKS_START

Table 65: Pre-programmed channels

6.15.2 Registers

Base address	Peripheral	Instance	Description	Configuration
0x4001F000	PPI	PPI	Programmable peripheral interconnect	

Table 66: Instances

Register	Offset	Description
TASKS_CHG[0].EN	0x000	Enable channel group 0
TASKS_CHG[0].DIS	0x004	Disable channel group 0
TASKS_CHG[1].EN	0x008	Enable channel group 1
TASKS_CHG[1].DIS	0x00C	Disable channel group 1

Register	Offset	Description
TASKS_CHG[2].EN	0x010	Enable channel group 2
TASKS_CHG[2].DIS	0x014	Disable channel group 2
TASKS_CHG[3].EN	0x018	Enable channel group 3
TASKS_CHG[3].DIS	0x01C	Disable channel group 3
TASKS_CHG[4].EN	0x020	Enable channel group 4
TASKS_CHG[4].DIS	0x024	Disable channel group 4
TASKS_CHG[5].EN	0x028	Enable channel group 5
TASKS_CHG[5].DIS	0x02C	Disable channel group 5
CHEN	0x500	Channel enable register
CHENSET	0x504	Channel enable set register
CHENCLR	0x508	Channel enable clear register
CH[0].EEP	0x510	Channel 0 event endpoint
CH[0].TEP	0x514	Channel 0 task endpoint
CH[1].EEP	0x518	Channel 1 event endpoint
CH[1].TEP	0x51C	Channel 1 task endpoint
CH[2].EEP	0x520	Channel 2 event endpoint
CH[2].TEP	0x524	Channel 2 task endpoint
CH[3].EEP	0x528	Channel 3 event endpoint
CH[3].TEP	0x52C	Channel 3 task endpoint
CH[4].EEP	0x530	Channel 4 event endpoint
CH[4].TEP	0x534	Channel 4 task endpoint
CH[5].EEP	0x538	Channel 5 event endpoint
CH[5].TEP	0x53C	Channel 5 task endpoint
CH[6].EEP	0x540	Channel 6 event endpoint
CH[6].TEP	0x544	Channel 6 task endpoint
CH[7].EEP	0x548	Channel 7 event endpoint
CH[7].TEP	0x54C	Channel 7 task endpoint
CH[8].EEP	0x550	Channel 8 event endpoint
CH[8].TEP	0x554	Channel 8 task endpoint
CH[9].EEP	0x558	Channel 9 event endpoint
CH[9].TEP	0x55C	Channel 9 task endpoint
CH[10].EEP	0x560	Channel 10 event endpoint
CH[10].TEP	0x564	Channel 10 task endpoint
CH[11].EEP	0x568	Channel 11 event endpoint
CH[11].TEP	0x56C	Channel 11 task endpoint
CH[12].EEP	0x570	Channel 12 event endpoint
CH[12].TEP	0x574	Channel 12 task endpoint
CH[13].EEP	0x578	Channel 13 event endpoint
CH[13].TEP	0x57C	Channel 13 task endpoint
CH[14].EEP	0x580	Channel 14 event endpoint
CH[14].TEP	0x584	Channel 14 task endpoint
CH[15].EEP	0x588	Channel 15 event endpoint
CH[15].TEP	0x58C	Channel 15 task endpoint
CH[16].EEP	0x590	Channel 16 event endpoint
CH[16].TEP	0x594	Channel 16 task endpoint
CH[17].EEP	0x598	Channel 17 event endpoint
CH[17].TEP	0x59C	Channel 17 task endpoint
CH[18].EEP	0x5A0	Channel 18 event endpoint
CH[18].TEP	0x5A4	Channel 18 task endpoint
CH[19].EEP	0x5A8	Channel 19 event endpoint
CH[19].TEP	0x5AC	Channel 19 task endpoint
CHG[0]	0x800	Channel group 0
CHG[1]	0x804	Channel group 1

Register	Offset	Description
CHG[2]	0x808	Channel group 2
CHG[3]	0x80C	Channel group 3
CHG[4]	0x810	Channel group 4
CHG[5]	0x814	Channel group 5
FORK[0].TEP	0x910	Channel 0 task endpoint
FORK[1].TEP	0x914	Channel 1 task endpoint
FORK[2].TEP	0x918	Channel 2 task endpoint
FORK[3].TEP	0x91C	Channel 3 task endpoint
FORK[4].TEP	0x920	Channel 4 task endpoint
FORK[5].TEP	0x924	Channel 5 task endpoint
FORK[6].TEP	0x928	Channel 6 task endpoint
FORK[7].TEP	0x92C	Channel 7 task endpoint
FORK[8].TEP	0x930	Channel 8 task endpoint
FORK[9].TEP	0x934	Channel 9 task endpoint
FORK[10].TEP	0x938	Channel 10 task endpoint
FORK[11].TEP	0x93C	Channel 11 task endpoint
FORK[12].TEP	0x940	Channel 12 task endpoint
FORK[13].TEP	0x944	Channel 13 task endpoint
FORK[14].TEP	0x948	Channel 14 task endpoint
FORK[15].TEP	0x94C	Channel 15 task endpoint
FORK[16].TEP	0x950	Channel 16 task endpoint
FORK[17].TEP	0x954	Channel 17 task endpoint
FORK[18].TEP	0x958	Channel 18 task endpoint
FORK[19].TEP	0x95C	Channel 19 task endpoint
FORK[20].TEP	0x960	Channel 20 task endpoint
FORK[21].TEP	0x964	Channel 21 task endpoint
FORK[22].TEP	0x968	Channel 22 task endpoint
FORK[23].TEP	0x96C	Channel 23 task endpoint
FORK[24].TEP	0x970	Channel 24 task endpoint
FORK[25].TEP	0x974	Channel 25 task endpoint
FORK[26].TEP	0x978	Channel 26 task endpoint
FORK[27].TEP	0x97C	Channel 27 task endpoint
FORK[28].TEP	0x980	Channel 28 task endpoint
FORK[29].TEP	0x984	Channel 29 task endpoint
FORK[30].TEP	0x988	Channel 30 task endpoint
FORK[31].TEP	0x98C	Channel 31 task endpoint

Table 67: Register overview

6.15.2.1 TASKS_CHG[n].EN (n=0..5)

Address offset: $0x000 + (n \times 0x8)$

Enable channel group n

Bit number	31 30 29 28 27 26 25 24 23 22 21 20 19 18 17 16 15 14 13 12 11 10 9 8 7 6 5 4 3 2 1 0																														
ID	A																														
Reset	0 0																														
ID	Acc	Field	Value ID	Value	Description																										
A	W	EN	Trigger	1	Enable channel group n Trigger task																										

6.15.2.2 TASKS_CHG[n].DIS (n=0..5)

Address offset: 0x004 + (n × 0x8)

Disable channel group n

Bit number	31	30	29	28	27	26	25	24	23	22	21	20	19	18	17	16	15	14	13	12	11	10	9	8	7	6	5	4	3	2	1	0	
ID																																	A
Reset 0x00000000	0 0																																
ID	Acce Field	Value ID	Value	Description																													
A	W DIS			Disable channel group n																													
		Trigger	1	Trigger task																													

6.15.2.3 CHEN

Address offset: 0x500

Channel enable register

Bit number	31	30	29	28	27	26	25	24	23	22	21	20	19	18	17	16	15	14	13	12	11	10	9	8	7	6	5	4	3	2	1	0
ID	f	e	d	c	b	a	Z	Y	X	W	V	U	T	S	R	Q	P	O	N	M	L	K	J	I	H	G	F	E	D	C	B	A
Reset 0x00000000	0 0																															
ID	Acce Field	Value ID	Value	Description																												
A-T	RW CH[i] (i=0..19)			Enable or disable channel i																												
		Disabled	0	Disable channel																												
		Enabled	1	Enable channel																												
U-f	RW CH[i] (i=20..31)			Enable or disable channel i																												
		Disabled	0	Disable channel																												
		Enabled	1	Enable channel																												

6.15.2.4 CHENSET

Address offset: 0x504

Channel enable set register

Read: reads value of CH{i} field in CHEN register.

Bit number	31	30	29	28	27	26	25	24	23	22	21	20	19	18	17	16	15	14	13	12	11	10	9	8	7	6	5	4	3	2	1	0
ID	f	e	d	c	b	a	Z	Y	X	W	V	U	T	S	R	Q	P	O	N	M	L	K	J	I	H	G	F	E	D	C	B	A
Reset 0x00000000	0 0																															
ID	Acce Field	Value ID	Value	Description																												
A-T	RW CH[i] (i=0..19)			Channel i enable set register. Writing '0' has no effect.																												
		Disabled	0	Read: channel disabled																												
		Enabled	1	Read: channel enabled																												
		Set	1	Write: Enable channel																												
U-f	RW CH[i] (i=20..31)			Channel i enable set register. Writing '0' has no effect.																												
		Disabled	0	Read: channel disabled																												
		Enabled	1	Read: channel enabled																												
		Set	1	Write: Enable channel																												

6.15.2.5 CHENCLR

Address offset: 0x508

Channel enable clear register

Read: reads value of CH{i} field in CHEN register.

Bit number	31 30 29 28 27 26 25 24 23 22 21 20 19 18 17 16 15 14 13 12 11 10 9 8 7 6 5 4 3 2 1 0																															
ID	f e d c b a z y x w v u t s r q p o n m l k j i h g f e d c b a																															
Reset 0x00000000	0 0																															
ID	Acce Field	Value ID	Value	Description																												
A-T	RW CH[i] (i=0..19)			Channel i enable clear register. Writing '0' has no effect.																												
		Disabled	0	Read: channel disabled																												
		Enabled	1	Read: channel enabled																												
		Clear	1	Write: disable channel																												
U-f	RW CH[i] (i=20..31)			Channel i enable clear register. Writing '0' has no effect.																												
		Disabled	0	Read: channel disabled																												
		Enabled	1	Read: channel enabled																												
		Clear	1	Write: disable channel																												

6.15.2.6 CH[n].EEP (n=0..19)

Address offset: 0x510 + (n × 0x8)

Channel n event endpoint

Bit number	31 30 29 28 27 26 25 24 23 22 21 20 19 18 17 16 15 14 13 12 11 10 9 8 7 6 5 4 3 2 1 0																															
ID	A A																															
Reset 0x00000000	0 0																															
ID	Acce Field	Value ID	Value	Description																												
A	RW EEP			Pointer to event register. Accepts only addresses to registers from the Event group.																												

6.15.2.7 CH[n].TEP (n=0..19)

Address offset: 0x514 + (n × 0x8)

Channel n task endpoint

Bit number	31 30 29 28 27 26 25 24 23 22 21 20 19 18 17 16 15 14 13 12 11 10 9 8 7 6 5 4 3 2 1 0																															
ID	A A																															
Reset 0x00000000	0 0																															
ID	Acce Field	Value ID	Value	Description																												
A	RW TEP			Pointer to task register. Accepts only addresses to registers from the Task group.																												

6.15.2.8 CHG[n] (n=0..5)

Address offset: 0x800 + (n × 0x4)

Channel group n

Bit number	31	30	29	28	27	26	25	24	23	22	21	20	19	18	17	16	15	14	13	12	11	10	9	8	7	6	5	4	3	2	1	0
ID	f	e	d	c	b	a	Z	Y	X	W	V	U	T	S	R	Q	P	O	N	M	L	K	J	I	H	G	F	E	D	C	B	A
Reset 0x00000000	0	0	0	0	0	0	0	0	0	0	0	0	0	0	0	0	0	0	0	0	0	0	0	0	0	0	0	0	0	0	0	0
ID	Acce	Field	Value ID	Value	Description																											
A-T	RW	CH[i] (i=0..19)			Include or exclude channel i																											
			Excluded	0	Exclude																											
			Included	1	Include																											
U-f	RW	CH[i] (i=20..31)			Include or exclude channel i																											
			Excluded	0	Exclude																											
			Included	1	Include																											

6.15.2.9 FORK[n].TEP (n=0..19, 20..31)

Address offset: $0x910 + (n \times 0x4)$

Channel n task endpoint

Bit number	31	30	29	28	27	26	25	24	23	22	21	20	19	18	17	16	15	14	13	12	11	10	9	8	7	6	5	4	3	2	1	0
ID	A	A	A	A	A	A	A	A	A	A	A	A	A	A	A	A	A	A	A	A	A	A	A	A	A	A	A	A	A	A	A	
Reset 0x00000000	0	0	0	0	0	0	0	0	0	0	0	0	0	0	0	0	0	0	0	0	0	0	0	0	0	0	0	0	0	0	0	
ID	Acce	Field	Value ID	Value	Description																											
A	RW	TEP			Pointer to task register																											

6.16 PWM — Pulse width modulation

The pulse with modulation (PWM) module enables the generation of pulse width modulated signals on GPIO. The module implements an up or up-and-down counter with four PWM channels that drive assigned GPIOs.

The following are the main features of a PWM module:

- Programmable PWM frequency
- Up to four PWM channels with individual polarity and duty cycle values
- Edge or center-aligned pulses across PWM channels
- Multiple duty cycle arrays (sequences) defined in RAM
- Autonomous and glitch-free update of duty cycle values directly from memory through EasyDMA (no CPU involvement)
- Change of polarity, duty cycle, and base frequency possibly on every PWM period
- RAM sequences can be repeated or connected into loops

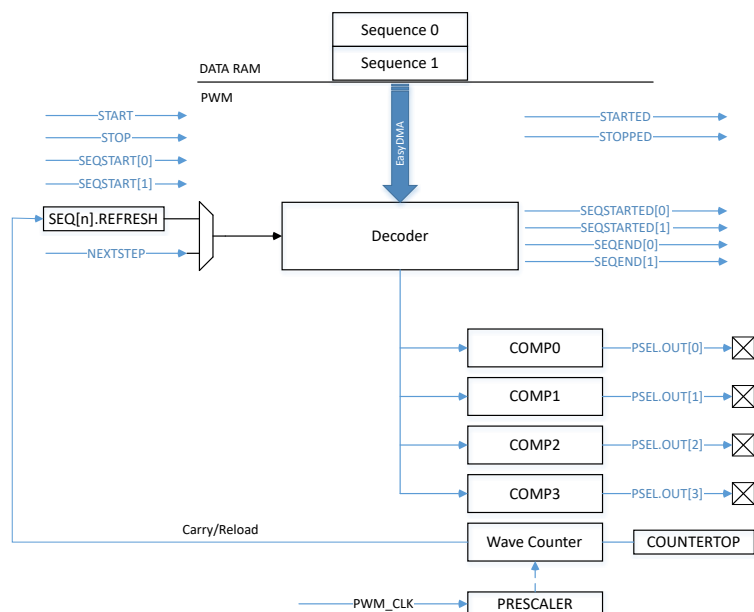


Figure 75: PWM module

6.16.1 Wave counter

The wave counter is responsible for generating the pulses at a duty cycle that depends on the compare values, and at a frequency that depends on COUNTERTOP.

There is one common 15-bit counter with four compare channels. Thus, all four channels will share the same period (PWM frequency), but can have individual duty cycle and polarity. The polarity is set by a value read from RAM (see figure [Decoder memory access modes](#) on page 249). Whether the counter counts up, or up and down, is controlled by the MODE register.

The timer top value is controlled by the COUNTERTOP register. This register value, in conjunction with the selected PRESCALER of the PWM_CLK, will result in a given PWM period. A COUNTERTOP value smaller than the compare setting will result in a state where no PWM edges are generated. OUT[n] is held high, given that the polarity is set to FallingEdge. All compare registers are internal and can only be configured through decoder presented later. COUNTERTOP can be safely written at any time.

Sampling follows the START task. If DECODER.LOAD=WaveForm, the register value is ignored and taken from RAM instead (see section [Decoder with EasyDMA](#) on page 249 for more details). If DECODER.LOAD is anything else than the WaveForm, it is sampled following a STARTSEQ[n] task and when loading a new value from RAM during a sequence playback.

The following figure shows the counter operating in up mode (MODE=PWM_MODE_Up), with three PWM channels with the same frequency but different duty cycle:

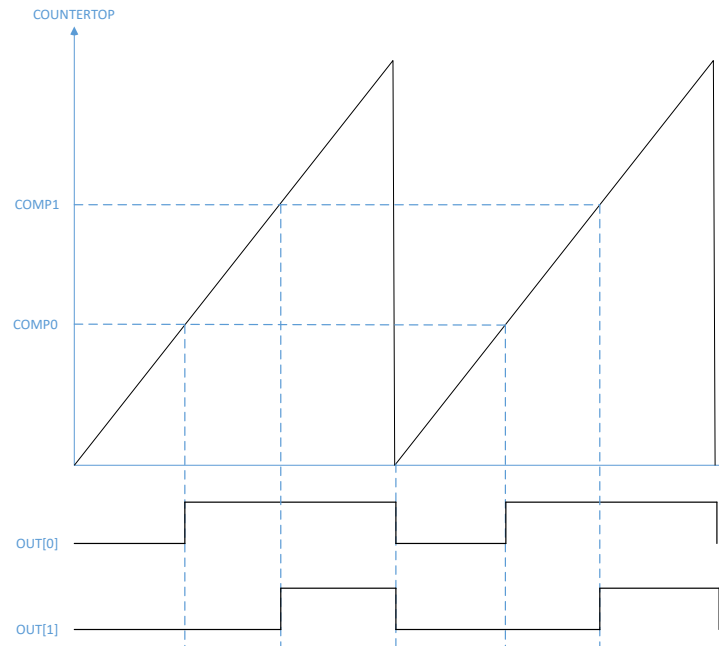


Figure 76: PWM counter in up mode example - FallingEdge polarity

The counter is automatically reset to zero when COUNTERTOP is reached and OUT[n] will invert. OUT[n] is held low if the compare value is 0 and held high if set to COUNTERTOP, given that the polarity is set to FallingEdge. Counter running in up mode results in pulse widths that are edge-aligned. The following is the code for the counter in up mode example:

```
uint16_t pwm_seq[4] = {PWM_CH0_DUTY, PWM_CH1_DUTY, PWM_CH2_DUTY, PWM_CH3_DUTY};
NRF_PWM0->PSEL.OUT[0] = (first_pin << PWM_PSEL_OUT_PIN_Pos) |
    (PWM_PSEL_OUT_CONNECT_Connected <<
        PWM_PSEL_OUT_CONNECT_Pos);
NRF_PWM0->PSEL.OUT[1] = (second_pin << PWM_PSEL_OUT_PIN_Pos) |
    (PWM_PSEL_OUT_CONNECT_Connected <<
        PWM_PSEL_OUT_CONNECT_Pos);
NRF_PWM0->ENABLE = (PWM_ENABLE_ENABLE_Enabled << PWM_ENABLE_ENABLE_Pos);
NRF_PWM0->MODE = (PWM_MODE_UPDOWN_Up << PWM_MODE_UPDOWN_Pos);
NRF_PWM0->PRESCALER = (PWM_PRESCALER_PRESCALER_DIV_1 <<
    PWM_PRESCALER_PRESCALER_Pos);
NRF_PWM0->COUNTERTOP = (16000 << PWM_COUNTERTOP_COUNTERTOP_Pos); //1 msec
NRF_PWM0->LOOP = (PWM_LOOP_CNT_Disabled << PWM_LOOP_CNT_Pos);
NRF_PWM0->DECODER = (PWM_DECODER_LOAD_Individual << PWM_DECODER_LOAD_Pos) |
    (PWM_DECODER_MODE_RefreshCount << PWM_DECODER_MODE_Pos);
NRF_PWM0->SEQ[0].PTR = ((uint32_t) (pwm_seq) << PWM_SEQ_PTR_PTR_Pos);
NRF_PWM0->SEQ[0].CNT = ((sizeof(pwm_seq) / sizeof(uint16_t)) <<
    PWM_SEQ_CNT_CNT_Pos);

NRF_PWM0->SEQ[0].REFRESH = 0;
NRF_PWM0->SEQ[0].ENDDelay = 0;
NRF_PWM0->TASKS_SEQSTART[0] = 1;
```

When the counter is running in up mode, the following formula can be used to compute the PWM period and the step size:

$$\text{PWM period: } T_{\text{PWM(Up)}} = T_{\text{PWM_CLK}} * \text{COUNTERTOP}$$

Step width/Resolution: $T_{steps} = T_{PWM_CLK}$

The following figure shows the counter operating in up-and-down mode (MODE=PWM_MODE_UpAndDown), with two PWM channels with the same frequency but different duty cycle and output polarity:

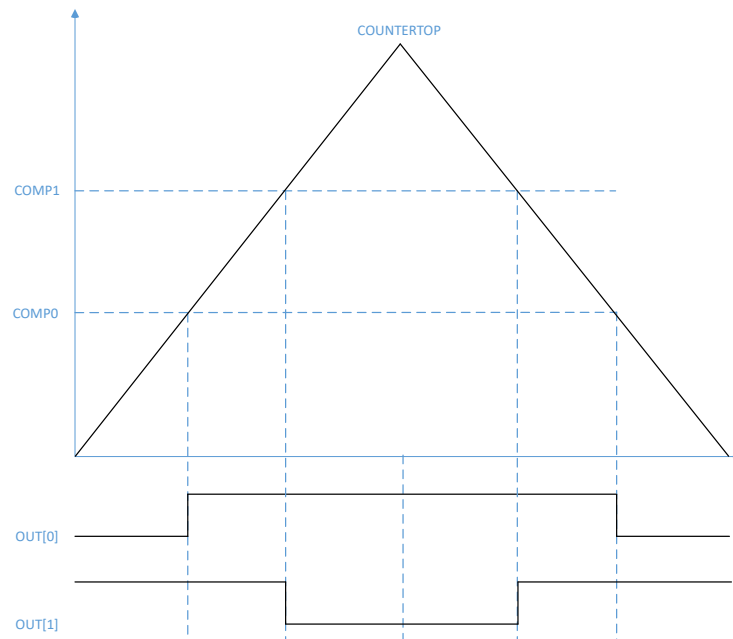


Figure 77: PWM counter in up-and-down mode example

The counter starts decrementing to zero when COUNTERTOP is reached and will invert the OUT[n] when compare value is hit for the second time. This results in a set of pulses that are center-aligned. The following is the code for the counter in up-and-down mode example:

```
uint16_t pwm_seq[4] = {PWM_CH0_DUTY, PWM_CH1_DUTY, PWM_CH2_DUTY, PWM_CH3_DUTY};
NRF_PWM0->PSEL.OUT[0] = (first_pin << PWM_PSEL_OUT_PIN_Pos) |
    (PWM_PSEL_OUT_CONNECT_Connected <<
        PWM_PSEL_OUT_CONNECT_Pos);
NRF_PWM0->PSEL.OUT[1] = (second_pin << PWM_PSEL_OUT_PIN_Pos) |
    (PWM_PSEL_OUT_CONNECT_Connected <<
        PWM_PSEL_OUT_CONNECT_Pos);
NRF_PWM0->ENABLE = (PWM_ENABLE_ENABLE_Enabled << PWM_ENABLE_ENABLE_Pos);
NRF_PWM0->MODE = (PWM_MODE_UPDOWN_UpAndDown << PWM_MODE_UPDOWN_Pos);
NRF_PWM0->PRESCALER = (PWM_PRESCALER_PRESCALER_DIV_1 <<
    PWM_PRESCALER_PRESCALER_Pos);
NRF_PWM0->COUNTERTOP = (16000 << PWM_COUNTERTOP_COUNTERTOP_Pos); //1 msec
NRF_PWM0->LOOP = (PWM_LOOP_CNT_Disabled << PWM_LOOP_CNT_Pos);
NRF_PWM0->DECODER = (PWM_DECODER_LOAD_Individual << PWM_DECODER_LOAD_Pos) |
    (PWM_DECODER_MODE_RefreshCount << PWM_DECODER_MODE_Pos);
NRF_PWM0->SEQ[0].PTR = ((uint32_t)(pwm_seq) << PWM_SEQ_PTR_PTR_Pos);
NRF_PWM0->SEQ[0].CNT = ((sizeof(pwm_seq) / sizeof(uint16_t)) <<
    PWM_SEQ_CNT_CNT_Pos);
NRF_PWM0->SEQ[0].REFRESH = 0;
NRF_PWM0->SEQ[0].ENDDelay = 0;
NRF_PWM0->TASKS_SEQSTART[0] = 1;
```


When the counter is running in up-and-down mode, the following formula can be used to compute the PWM period and the step size:

$$T_{\text{PWM(Up And Down)}} = T_{\text{PWM_CLK}} * 2 * \text{COUNTERTOP}$$

Step width/Resolution: $T_{\text{steps}} = T_{\text{PWM_CLK}} * 2$

6.16.2 Decoder with EasyDMA

The decoder uses EasyDMA to take PWM parameters stored in RAM and update the internal compare registers of the wave counter, based on the mode of operation.

PWM parameters are organized into a sequence containing at least one half word (16 bit). Its most significant bit[15] denotes the polarity of the OUT[n] while bit[14:0] is the 15-bit compare value.

Bit number	31	30	29	28	27	26	25	24	23	22	21	20	19	18	17	16	15	14	13	12	11	10	9	8	7	6	5	4	3	2	1	0															
Id																B	A	A	A	A	A	A	A	A	A	A	A	A	A	A	A	A	A	A	A	A	A	A	A	A	A	A	A	A	A	A	A
Reset 0x00000000	0	0	0	0	0	0	0	0	0	0	0	0	0	0	0	0	0	0	0	0	0	0	0	0	0	0	0	0	0	0	0	0	0	0	0												
Id	RW	Field	Value	Id	Value	Description																																									
A	RW	COMPARE				Duty cycle setting - value loaded to internal compare register																																									
B	RW	POLARITY				Edge polarity of GPIO.																																									
			RisingEdge	0		First edge within the PWM period is rising																																									
			FallingEdge	1		First edge within the PWM period is falling																																									

The DECODER register controls how the RAM content is interpreted and loaded into the internal compare registers. The LOAD field controls if the RAM values are loaded to all compare channels, or to update a group or all channels with individual values. The following figure illustrates how parameters stored in RAM are organized and routed to various compare channels in different modes:

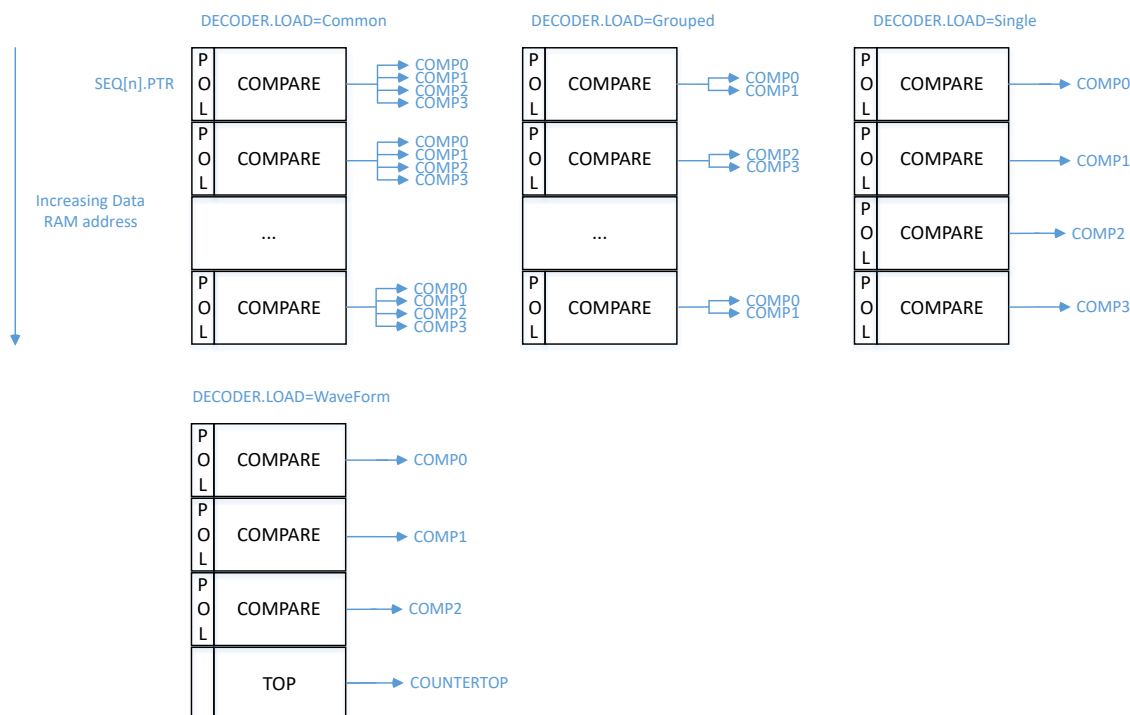


Figure 78: Decoder memory access modes

A special mode of operation is available when DECODER.LOAD is set to WaveForm. In this mode, up to three PWM channels can be enabled - OUT[0] to OUT[2]. In RAM, four values are loaded at a time: the first, second and third location are used to load the values, and the fourth RAM location is used to load

the COUNTERTOP register. This way one can have up to three PWM channels with a frequency base that changes on a per PWM period basis. This mode of operation is useful for arbitrary wave form generation in applications, such as LED lighting.

The register SEQ[n].REFRESH=N (one per sequence n=0 or 1) will instruct a new RAM stored pulse width value on every (N+1)th PWM period. Setting the register to zero will result in a new duty cycle update every PWM period, as long as the minimum PWM period is observed.

Note that registers SEQ[n].REFRESH and SEQ[n].ENDDelay are ignored when DECODER.MODE=NextStep. The next value is loaded upon every received NEXTSTEP task.

SEQ[n].PTR is the pointer used to fetch COMPARE values from RAM. If the SEQ[n].PTR is not pointing to a RAM region, an EasyDMA transfer may result in a HardFault or RAM corruption. See [Memory](#) on page 19 for more information about the different memory regions. After the SEQ[n].PTR is set to the desired RAM location, the SEQ[n].CNT register must be set to number of 16-bit half words in the sequence. It is important to observe that the Grouped mode requires one half word per group, while the Single mode requires one half word per channel, thus increasing the RAM size occupation. If PWM generation is not running when the SEQSTART[n] task is triggered, the task will load the first value from RAM and then start the PWM generation. A SEQSTARTED[n] event is generated as soon as the EasyDMA has read the first PWM parameter from RAM and the wave counter has started executing it. When LOOP.CNT=0, sequence n=0 or 1 is played back once. After the last value in the sequence has been loaded and started executing, a SEQEND[n] event is generated. The PWM generation will then continue with the last loaded value. The following figure illustrates an example of such simple playback:

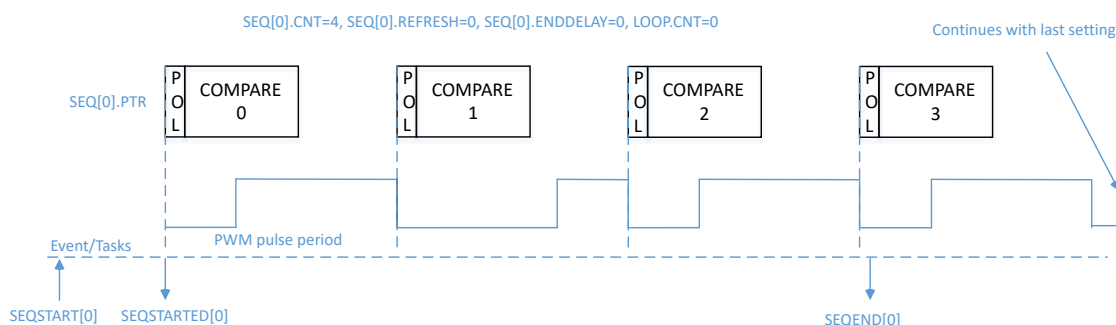


Figure 79: Simple sequence example

Figure depicts the source code used for configuration and timing details in a sequence where only sequence 0 is used and only run once with a new PWM duty cycle for each period.

```

NRF_PWM0->PSEL.OUT[0] = (first_pin << PWM_PSEL_OUT_PIN_Pos) |
                        (PWM_PSEL_OUT_CONNECT_Connected <<
                          PWM_PSEL_OUT_CONNECT_Pos);
NRF_PWM0->ENABLE      = (PWM_ENABLE_ENABLE_Enabled << PWM_ENABLE_ENABLE_Pos);
NRF_PWM0->MODE        = (PWM_MODE_UPDOWN_Up << PWM_MODE_UPDOWN_Pos);
NRF_PWM0->PRESCALER   = (PWM_PRESCALER_PRESCALER_DIV_1 <<
                          PWM_PRESCALER_PRESCALER_Pos);
NRF_PWM0->COUNTERTOP  = (16000 << PWM_COUNTERTOP_COUNTERTOP_Pos); //1 msec
NRF_PWM0->LOOP        = (PWM_LOOP_CNT_Disabled << PWM_LOOP_CNT_Pos);
NRF_PWM0->DECODER     = (PWM_DECODER_LOAD_Common << PWM_DECODER_LOAD_Pos) |
                        (PWM_DECODER_MODE_RefreshCount << PWM_DECODER_MODE_Pos);
NRF_PWM0->SEQ[0].PTR  = ((uint32_t)(seq0_ram) << PWM_SEQ_PTR_PTR_Pos);
NRF_PWM0->SEQ[0].CNT  = ((sizeof(seq0_ram) / sizeof(uint16_t)) <<
                          PWM_SEQ_CNT_CNT_Pos);
NRF_PWM0->SEQ[0].REFRESH = 0;
NRF_PWM0->SEQ[0].ENDDelay = 0;
NRF_PWM0->TASKS_SEQSTART[0] = 1;

```

To completely stop the PWM generation and force the associated pins to a defined state, a STOP task can be triggered at any time. A STOPPED event is generated when the PWM generation has stopped at the end of currently running PWM period, and the pins go into their idle state as defined in GPIO OUT register. PWM generation can then only be restarted through a SEQSTART[n] task. SEQSTART[n] will resume PWM generation after having loaded the first value from the RAM buffer defined in the SEQ[n].PTR register.

The table below indicates when specific registers get sampled by the hardware. Care should be taken when updating these registers to avoid that values are applied earlier than expected.

Register	Taken into account by hardware	Recommended (safe) update
SEQ[n].PTR	When sending the SEQSTART[n] task	After having received the SEQSTARTED[n] event
SEQ[n].CNT	When sending the SEQSTART[n] task	After having received the SEQSTARTED[n] event
SEQ[0].ENDDelay	When sending the SEQSTART[0] task Every time a new value from sequence [0] has been loaded from RAM and gets applied to the Wave Counter (indicated by the PWMPERIODEND event)	Before starting sequence [0] through a SEQSTART[0] task When no more value from sequence [0] gets loaded from RAM (indicated by the SEQEND[0] event) At any time during sequence [1] (which starts when the SEQSTARTED[1] event is generated)
SEQ[1].ENDDelay	When sending the SEQSTART[1] task Every time a new value from sequence [1] has been loaded from RAM and gets applied to the Wave Counter (indicated by the PWMPERIODEND event)	Before starting sequence [1] through a SEQSTART[1] task When no more value from sequence [1] gets loaded from RAM (indicated by the SEQEND[1] event) At any time during sequence [0] (which starts when the SEQSTARTED[0] event is generated)
SEQ[0].REFRESH	When sending the SEQSTART[0] task Every time a new value from sequence [0] has been loaded from RAM and gets applied to the Wave Counter (indicated by the PWMPERIODEND event)	Before starting sequence [0] through a SEQSTART[0] task At any time during sequence [1] (which starts when the SEQSTARTED[1] event is generated)
SEQ[1].REFRESH	When sending the SEQSTART[1] task Every time a new value from sequence [1] has been loaded from RAM and gets applied to the Wave Counter (indicated by the PWMPERIODEND event)	Before starting sequence [1] through a SEQSTART[1] task At any time during sequence [0] (which starts when the SEQSTARTED[0] event is generated)
COUNTERTOP	In DECODER.LOAD=WaveForm: this register is ignored. In all other LOAD modes: at the end of current PWM period (indicated by the PWMPERIODEND event)	Before starting PWM generation through a SEQSTART[n] task After a STOP task has been triggered, and the STOPPED event has been received.
MODE	Immediately	Before starting PWM generation through a SEQSTART[n] task After a STOP task has been triggered, and the STOPPED event has been received.
DECODER	Immediately	Before starting PWM generation through a SEQSTART[n] task After a STOP task has been triggered, and the STOPPED event has been received.
PRESCALER	Immediately	Before starting PWM generation through a SEQSTART[n] task After a STOP task has been triggered, and the STOPPED event has been received.
LOOP	Immediately	Before starting PWM generation through a SEQSTART[n] task After a STOP task has been triggered, and the STOPPED event has been received.
PSEL.OUT[n]	Immediately	Before enabling the PWM instance through the ENABLE register

Table 68: When to safely update PWM registers

Note: SEQ[n].REFRESH and SEQ[n].ENDDelay are ignored at the end of a complex sequence, indicated by a LOOPSDONE event. The reason for this is that the last value loaded from RAM is maintained until further action from software (restarting a new sequence, or stopping PWM generation).

A more complex example, where LOOP.CNT>0, is shown in the following figure:

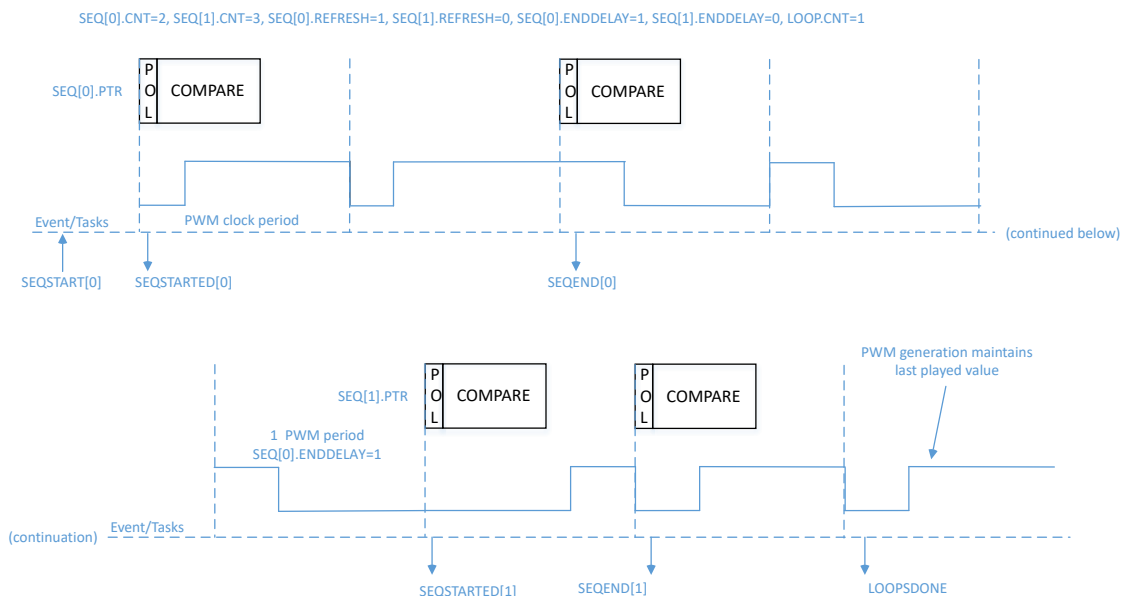


Figure 80: Example using two sequences

In this case, an automated playback takes place, consisting of SEQ[0], delay 0, SEQ[1], delay 1, then again SEQ[0], etc. The user can choose to start a complex playback with SEQ[0] or SEQ[1] through sending the SEQSTART[0] or SEQSTART[1] task. The complex playback always ends with delay 1.

The two sequences 0 and 1 are defined by the addresses of value tables in RAM (pointed to by SEQ[n].PTR) and the buffer size (SEQ[n].CNT). The rate at which a new value is loaded is defined individually for each sequence by SEQ[n].REFRESH. The chaining of sequence 1 following the sequence 0 is implicit, the LOOP.CNT register allows the chaining of sequence 1 to sequence 0 for a determined number of times. In other words, it allows to repeat a complex sequence a number of times in a fully automated way.

In the following code example, sequence 0 is defined with SEQ[0].REFRESH set to 1, meaning that a new PWM duty cycle is pushed every second PWM period. This complex sequence is started with the SEQSTART[0] task, so SEQ[0] is played first. Since SEQ[0].ENDDDELAY=1 there will be one PWM period delay between last period on sequence 0 and the first period on sequence 1. Since SEQ[1].ENDDDELAY=0 there is no delay 1, so SEQ[0] would be started immediately after the end of SEQ[1]. However, as LOOP.CNT is

1, the playback stops after having played SEQ[1] only once, and both SEQEND[1] and LOOPSDONE are generated (their order is not guaranteed in this case).

```

NRF_PWM0->PSEL.OUT[0] = (first_pin << PWM_PSEL_OUT_PIN_Pos) |
                        (PWM_PSEL_OUT_CONNECT_Connected <<
                         PWM_PSEL_OUT_CONNECT_Pos);
NRF_PWM0->ENABLE      = (PWM_ENABLE_ENABLE_Enabled << PWM_ENABLE_ENABLE_Pos);
NRF_PWM0->MODE        = (PWM_MODE_UPDOWN_Up << PWM_MODE_UPDOWN_Pos);
NRF_PWM0->PRESCALER   = (PWM_PRESCALER_PRESCALER_DIV_1 <<
                         PWM_PRESCALER_PRESCALER_Pos);
NRF_PWM0->COUNTERTOP = (16000 << PWM_COUNTERTOP_COUNTERTOP_Pos); //1 msec
NRF_PWM0->LOOP        = (1 << PWM_LOOP_CNT_Pos);
NRF_PWM0->DECODER     = (PWM_DECODER_LOAD_Common << PWM_DECODER_LOAD_Pos) |
                        (PWM_DECODER_MODE_RefreshCount << PWM_DECODER_MODE_Pos);
NRF_PWM0->SEQ[0].PTR  = ((uint32_t)(seq0_ram) << PWM_SEQ_PTR_PTR_Pos);
NRF_PWM0->SEQ[0].CNT  = ((sizeof(seq0_ram) / sizeof(uint16_t)) <<
                         PWM_SEQ_CNT_CNT_Pos);

NRF_PWM0->SEQ[0].REFRESH = 1;
NRF_PWM0->SEQ[0].ENDDELAY = 1;
NRF_PWM0->SEQ[1].PTR    = ((uint32_t)(seq1_ram) << PWM_SEQ_PTR_PTR_Pos);
NRF_PWM0->SEQ[1].CNT    = ((sizeof(seq1_ram) / sizeof(uint16_t)) <<
                         PWM_SEQ_CNT_CNT_Pos);

NRF_PWM0->SEQ[1].REFRESH = 0;
NRF_PWM0->SEQ[1].ENDDELAY = 0;
NRF_PWM0->TASKS_SEQSTART[0] = 1;

```

The decoder can also be configured to asynchronously load new PWM duty cycle. If the DECODER.MODE register is set to NextStep, then the NEXTSTEP task will cause an update of internal compare registers on the next PWM period.

The following figures provide an overview of each part of an arbitrary sequence, in various modes (LOOP.CNT=0 and LOOP.CNT>0). In particular, the following are represented:

- Initial and final duty cycle on the PWM output(s)
- Chaining of SEQ[0] and SEQ[1] if LOOP.CNT>0
- Influence of registers on the sequence
- Events generated during a sequence
- DMA activity (loading of next value and applying it to the output(s))

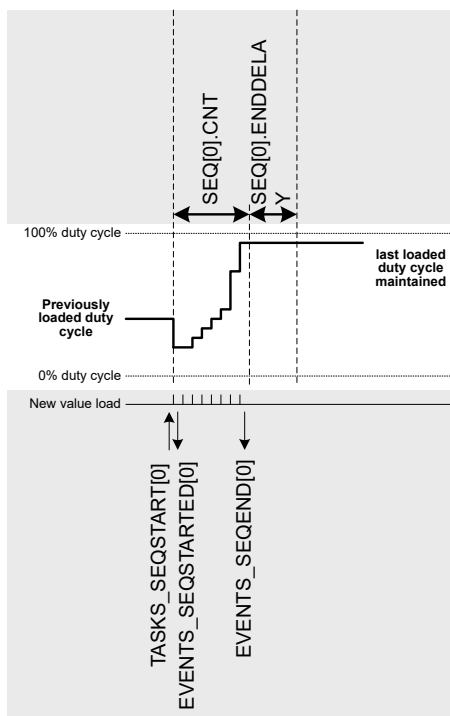


Figure 81: Single shot ($LOOP.CNT=0$)

Note: The single-shot example also applies to $SEQ[1]$. Only $SEQ[0]$ is represented for simplicity.

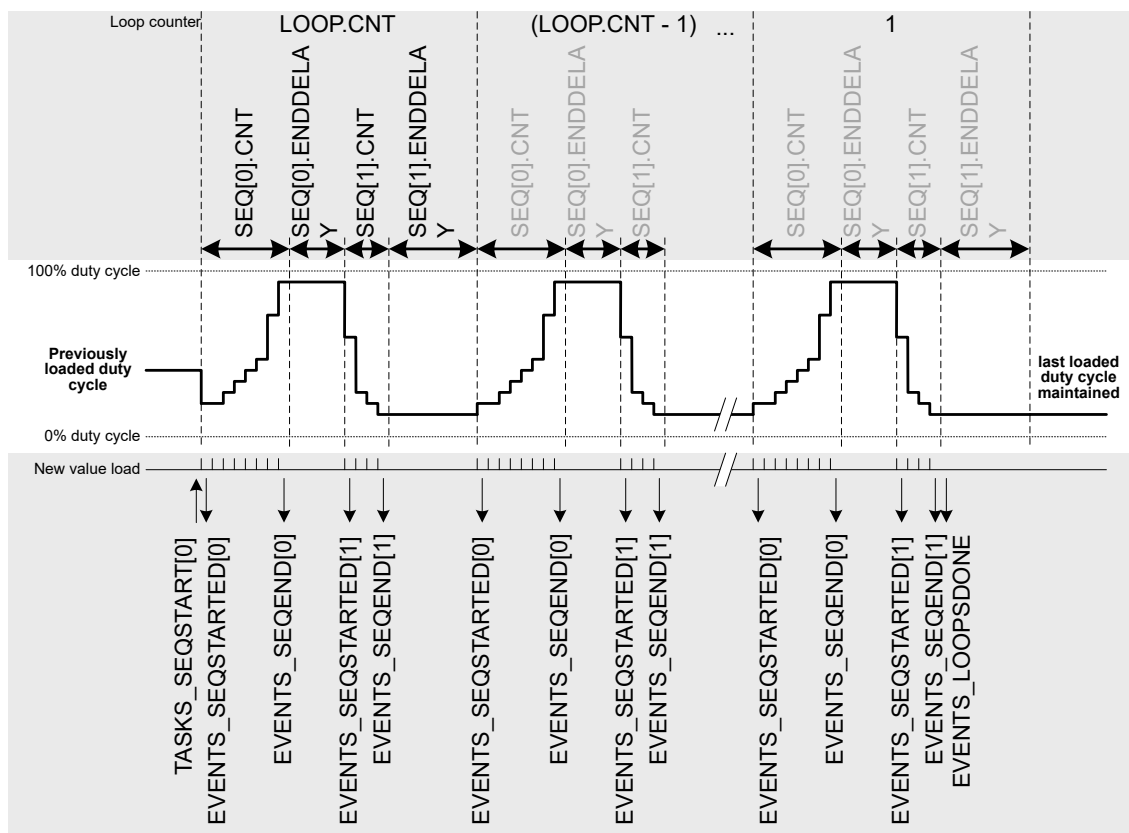


Figure 82: Complex sequence ($LOOP.CNT > 0$) starting with $SEQ[0]$

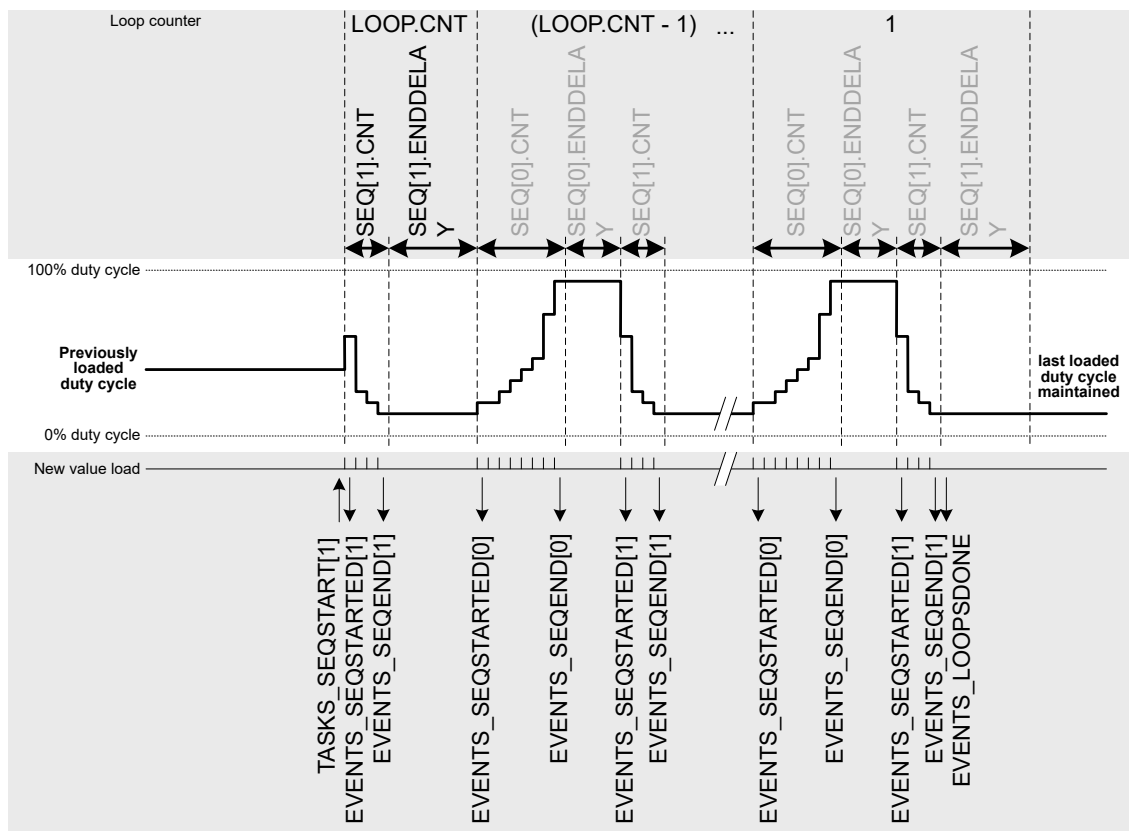


Figure 83: Complex sequence ($LOOP.CNT > 0$) starting with $SEQ[1]$

Note: If a sequence is in use in a simple or complex sequence, it must have a length of $SEQ[n].CNT > 0$.

6.16.3 Limitations

Previous compare value is repeated if the PWM period is shorter than the time it takes for the EasyDMA to retrieve from RAM and update the internal compare registers. This is to ensure a glitch-free operation even for very short PWM periods.

6.16.4 Pin configuration

The $OUT[n]$ ($n=0..3$) signals associated with each PWM channel are mapped to physical pins according to the configuration of $PSEL.OUT[n]$ registers. If $PSEL.OUT[n].CONNECT$ is set to Disconnected, the associated PWM module signal will not be connected to any physical pins.

The $PSEL.OUT[n]$ registers and their configurations are used as long as the PWM module is enabled and the PWM generation active (wave counter started). They are retained only as long as the device is in System ON mode (see section **POWER** for more information about power modes).

To ensure correct behavior in the PWM module, the pins that are used must be configured in the GPIO peripheral in the following way before the PWM module is enabled:

PWM signal	PWM pin	Direction	Output value	Comment
$OUT[n]$	As specified in $PSEL.OUT[n]$ ($n=0..3$)	Output	0	Idle state defined in GPIO OUT register

Table 69: Recommended GPIO configuration before starting PWM generation

The idle state of a pin is defined by the OUT register in the GPIO module, to ensure that the pins used by the PWM module are driven correctly. If PWM generation is stopped by triggering a STOP task, the PWM module itself is temporarily disabled or the device temporarily enters System OFF. This configuration must be retained in the GPIO for the selected pins (I/Os) for as long as the PWM module is supposed to be connected to an external PWM circuit.

Only one peripheral can be assigned to drive a particular GPIO pin at a time. Failing to do so may result in unpredictable behavior.

6.16.5 Registers

Base address	Peripheral	Instance	Description	Configuration
0x4001C000	PWM	PWM0	Pulse width modulation unit 0	
0x40021000	PWM	PWM1	Pulse width modulation unit 1	
0x40022000	PWM	PWM2	Pulse width modulation unit 2	
0x4002D000	PWM	PWM3	Pulse width modulation unit 3	

Table 70: Instances

Register	Offset	Description
TASKS_STOP	0x004	Stops PWM pulse generation on all channels at the end of current PWM period, and stops sequence playback
TASKS_SEQSTART[0]	0x008	Loads the first PWM value on all enabled channels from sequence 0, and starts playing that sequence at the rate defined in SEQ[0]REFRESH and/or DECODER.MODE. Causes PWM generation to start if not running.
TASKS_SEQSTART[1]	0x00C	Loads the first PWM value on all enabled channels from sequence 1, and starts playing that sequence at the rate defined in SEQ[1]REFRESH and/or DECODER.MODE. Causes PWM generation to start if not running.
TASKS_NEXTSTEP	0x010	Steps by one value in the current sequence on all enabled channels if DECODER.MODE=NextStep. Does not cause PWM generation to start if not running.
EVENTS_STOPPED	0x104	Response to STOP task, emitted when PWM pulses are no longer generated
EVENTS_SEQSTARTED[0]	0x108	First PWM period started on sequence 0
EVENTS_SEQSTARTED[1]	0x10C	First PWM period started on sequence 1
EVENTS_SEQEND[0]	0x110	Emitted at end of every sequence 0, when last value from RAM has been applied to wave counter
EVENTS_SEQEND[1]	0x114	Emitted at end of every sequence 1, when last value from RAM has been applied to wave counter
EVENTS_PWMPERIODEND	0x118	Emitted at the end of each PWM period
EVENTS_LOOPSDONE	0x11C	Concatenated sequences have been played the amount of times defined in LOOP.CNT
SHORTS	0x200	Shortcuts between local events and tasks
INTEN	0x300	Enable or disable interrupt
INTENSET	0x304	Enable interrupt
INTENCLR	0x308	Disable interrupt
ENABLE	0x500	PWM module enable register
MODE	0x504	Selects operating mode of the wave counter
COUNTERTOP	0x508	Value up to which the pulse generator counter counts
PRESCALER	0x50C	Configuration for PWM_CLK
DECODER	0x510	Configuration of the decoder
LOOP	0x514	Number of playbacks of a loop
SEQ[0].PTR	0x520	Beginning address in RAM of this sequence
SEQ[0].CNT	0x524	Number of values (duty cycles) in this sequence
SEQ[0].REFRESH	0x528	Number of additional PWM periods between samples loaded into compare register
SEQ[0].ENDELAY	0x52C	Time added after the sequence
SEQ[1].PTR	0x540	Beginning address in RAM of this sequence

Register	Offset	Description
SEQ[1].CNT	0x544	Number of values (duty cycles) in this sequence
SEQ[1].REFRESH	0x548	Number of additional PWM periods between samples loaded into compare register
SEQ[1].ENDEDELAY	0x54C	Time added after the sequence
PSEL.OUT[0]	0x560	Output pin select for PWM channel 0
PSEL.OUT[1]	0x564	Output pin select for PWM channel 1
PSEL.OUT[2]	0x568	Output pin select for PWM channel 2
PSEL.OUT[3]	0x56C	Output pin select for PWM channel 3

Table 71: Register overview

6.16.5.1 TASKS_STOP

Address offset: 0x004

Stops PWM pulse generation on all channels at the end of current PWM period, and stops sequence playback

Bit number	31	30	29	28	27	26	25	24	23	22	21	20	19	18	17	16	15	14	13	12	11	10	9	8	7	6	5	4	3	2	1	0
ID																																A
Reset 0x00000000	0 0																															
ID	Acce Field	Value ID	Value	Description																												
A	W	TASKS_STOP		Stops PWM pulse generation on all channels at the end of current PWM period, and stops sequence playback																												
		Trigger	1	Trigger task																												

6.16.5.2 TASKS_SEQSTART[n] (n=0..1)

Address offset: 0x008 + (n × 0x4)

Loads the first PWM value on all enabled channels from sequence n, and starts playing that sequence at the rate defined in SEQ[n]REFRESH and/or DECODER.MODE. Causes PWM generation to start if not running.

Bit number	31	30	29	28	27	26	25	24	23	22	21	20	19	18	17	16	15	14	13	12	11	10	9	8	7	6	5	4	3	2	1	0
ID																																A
Reset 0x00000000	0 0																															
ID	Acce Field	Value ID	Value	Description																												
A	W	TASKS_SEQSTART		Loads the first PWM value on all enabled channels from sequence n, and starts playing that sequence at the rate defined in SEQ[n]REFRESH and/or DECODER.MODE. Causes PWM generation to start if not running.																												
		Trigger	1	Trigger task																												

6.16.5.3 TASKS_NEXTSTEP

Address offset: 0x010

Steps by one value in the current sequence on all enabled channels if DECODER.MODE=NextStep. Does not cause PWM generation to start if not running.

Bit number	31	30	29	28	27	26	25	24	23	22	21	20	19	18	17	16	15	14	13	12	11	10	9	8	7	6	5	4	3	2	1	0	
ID																																A	
Reset	0x00000000																																
0	0	0	0	0	0	0	0	0	0	0	0	0	0	0	0	0	0	0	0	0	0	0	0	0	0	0	0	0	0	0	0	0	0
ID	Acce Field	Value ID	Value	Description																													
A	W	TASKS_NEXTSTEP		Steps by one value in the current sequence on all enabled channels if DECODER.MODE=NextStep. Does not cause PWM generation to start if not running.																													
		Trigger	1	Trigger task																													

6.16.5.4 EVENTS_STOPPED

Address offset: 0x104

Response to STOP task, emitted when PWM pulses are no longer generated

Bit number	31	30	29	28	27	26	25	24	23	22	21	20	19	18	17	16	15	14	13	12	11	10	9	8	7	6	5	4	3	2	1	0
ID																																A
Reset	0x00000000																															
0	0	0	0	0	0	0	0	0	0	0	0	0	0	0	0	0	0	0	0	0	0	0	0	0	0	0	0	0	0	0	0	0
ID	Acce Field	Value ID	Value	Description																												
A	RW	EVENTS_STOPPED		Response to STOP task, emitted when PWM pulses are no longer generated																												
		NotGenerated	0	Event not generated																												
		Generated	1	Event generated																												

6.16.5.5 EVENTS_SEQSTARTED[n] (n=0..1)

Address offset: 0x108 + (n × 0x4)

First PWM period started on sequence n

Bit number	31	30	29	28	27	26	25	24	23	22	21	20	19	18	17	16	15	14	13	12	11	10	9	8	7	6	5	4	3	2	1	0
ID																																A
Reset	0x00000000																															
0	0	0	0	0	0	0	0	0	0	0	0	0	0	0	0	0	0	0	0	0	0	0	0	0	0	0	0	0	0	0	0	0
ID	Acce Field	Value ID	Value	Description																												
A	RW	EVENTS_SEQSTARTED		First PWM period started on sequence n																												
		NotGenerated	0	Event not generated																												
		Generated	1	Event generated																												

6.16.5.6 EVENTS_SEQEND[n] (n=0..1)

Address offset: 0x110 + (n × 0x4)

Emitted at end of every sequence n, when last value from RAM has been applied to wave counter

Bit number	31	30	29	28	27	26	25	24	23	22	21	20	19	18	17	16	15	14	13	12	11	10	9	8	7	6	5	4	3	2	1	0
ID																																A
Reset	0x00000000																															
0	0	0	0	0	0	0	0	0	0	0	0	0	0	0	0	0	0	0	0	0	0	0	0	0	0	0	0	0	0	0	0	0
ID	Acce Field	Value ID	Value	Description																												
A	RW	EVENTS_SEQEND		Emitted at end of every sequence n, when last value from RAM has been applied to wave counter																												
		NotGenerated	0	Event not generated																												
		Generated	1	Event generated																												

6.16.5.7 EVENTS_PWMPERIODEND

Address offset: 0x118

Emitted at the end of each PWM period

Bit number	31 30 29 28 27 26 25 24 23 22 21 20 19 18 17 16 15 14 13 12 11 10 9 8 7 6 5 4 3 2 1 0																														
ID	A																														
Reset 0x00000000	0 0																														
ID	Acce Field	Value ID	Value	Description																											
A	RW	EVENTS_PWMPERIODEND		Emitted at the end of each PWM period																											
		NotGenerated	0	Event not generated																											
		Generated	1	Event generated																											

6.16.5.8 EVENTS_LOOPSDONE

Address offset: 0x11C

Concatenated sequences have been played the amount of times defined in LOOP.CNT

Bit number	31 30 29 28 27 26 25 24 23 22 21 20 19 18 17 16 15 14 13 12 11 10 9 8 7 6 5 4 3 2 1 0																														
ID	A																														
Reset 0x00000000	0 0																														
ID	Acce Field	Value ID	Value	Description																											
A	RW	EVENTS_LOOPSDONE		Concatenated sequences have been played the amount of times defined in LOOP.CNT																											
		NotGenerated	0	Event not generated																											
		Generated	1	Event generated																											

6.16.5.9 SHORTS

Address offset: 0x200

Shortcuts between local events and tasks

Bit number	31 30 29 28 27 26 25 24 23 22 21 20 19 18 17 16 15 14 13 12 11 10 9 8 7 6 5 4 3 2 1 0																														
ID	E D C B A																														
Reset 0x00000000	0 0																														
ID	Acce Field	Value ID	Value	Description																											
A	RW	SEQEND0_STOP		Shortcut between event SEQEND[0] and task STOP																											
		Disabled	0	Disable shortcut																											
		Enabled	1	Enable shortcut																											
B	RW	SEQEND1_STOP		Shortcut between event SEQEND[1] and task STOP																											
		Disabled	0	Disable shortcut																											
		Enabled	1	Enable shortcut																											
C	RW	LOOPSDONE_SEQSTART0		Shortcut between event LOOPSDONE and task SEQSTART[0]																											
		Disabled	0	Disable shortcut																											
		Enabled	1	Enable shortcut																											
D	RW	LOOPSDONE_SEQSTART1		Shortcut between event LOOPSDONE and task SEQSTART[1]																											
		Disabled	0	Disable shortcut																											
		Enabled	1	Enable shortcut																											
E	RW	LOOPSDONE_STOP		Shortcut between event LOOPSDONE and task STOP																											
		Disabled	0	Disable shortcut																											
		Enabled	1	Enable shortcut																											

6.16.5.10 INTEN

Address offset: 0x300

Enable or disable interrupt

Bit number	31 30 29 28 27 26 25 24 23 22 21 20 19 18 17 16 15 14 13 12 11 10 9 8 7 6 5 4 3 2 1 0																																		
ID																													H	G	F	E	D	C	B
Reset 0x00000000	0 0																																		
ID	Acce	Field	Value	ID	Value	Description																													
B	RW	STOPPED				Enable or disable interrupt for event STOPPED																													
			Disabled	0	Disable																														
			Enabled	1	Enable																														
C-D	RW	SEQSTARTED[i] (i=0..1)				Enable or disable interrupt for event SEQSTARTED[i]																													
			Disabled	0	Disable																														
			Enabled	1	Enable																														
E-F	RW	SEQEND[i] (i=0..1)				Enable or disable interrupt for event SEQEND[i]																													
			Disabled	0	Disable																														
			Enabled	1	Enable																														
G	RW	PWMPERIODEND				Enable or disable interrupt for event PWMPERIODEND																													
			Disabled	0	Disable																														
			Enabled	1	Enable																														
H	RW	LOOPSDONE				Enable or disable interrupt for event LOOPSDONE																													
			Disabled	0	Disable																														
			Enabled	1	Enable																														

6.16.5.11 INTENSET

Address offset: 0x304

Enable interrupt

Bit number	31 30 29 28 27 26 25 24 23 22 21 20 19 18 17 16 15 14 13 12 11 10 9 8 7 6 5 4 3 2 1 0																																		
ID																													H	G	F	E	D	C	B
Reset 0x00000000	0 0																																		
ID	Acce	Field	Value	ID	Value	Description																													
B	RW	STOPPED				Write '1' to enable interrupt for event STOPPED																													
			Set	1	Enable																														
			Disabled	0	Read: Disabled																														
			Enabled	1	Read: Enabled																														
C-D	RW	SEQSTARTED[i] (i=0..1)				Write '1' to enable interrupt for event SEQSTARTED[i]																													
			Set	1	Enable																														
			Disabled	0	Read: Disabled																														
			Enabled	1	Read: Enabled																														
E-F	RW	SEQEND[i] (i=0..1)				Write '1' to enable interrupt for event SEQEND[i]																													
			Set	1	Enable																														
			Disabled	0	Read: Disabled																														
			Enabled	1	Read: Enabled																														
G	RW	PWMPERIODEND				Write '1' to enable interrupt for event PWMPERIODEND																													
			Set	1	Enable																														
			Disabled	0	Read: Disabled																														
			Enabled	1	Read: Enabled																														
H	RW	LOOPSDONE				Write '1' to enable interrupt for event LOOPSDONE																													
			Set	1	Enable																														
			Disabled	0	Read: Disabled																														

Bit number	31	30	29	28	27	26	25	24	23	22	21	20	19	18	17	16	15	14	13	12	11	10	9	8	7	6	5	4	3	2	1	0	
ID																											H	G	F	E	D	C	B
Reset 0x00000000	0 0																																
ID	Acce Field	Value ID	Value	Description																													
		Enabled	1	Read: Enabled																													

6.16.5.12 INTENCLR

Address offset: 0x308

Disable interrupt

Bit number	31	30	29	28	27	26	25	24	23	22	21	20	19	18	17	16	15	14	13	12	11	10	9	8	7	6	5	4	3	2	1	0	
ID																											H	G	F	E	D	C	B
Reset 0x00000000	0 0																																
ID	Acce Field	Value ID	Value	Description																													
B	RW STOPPED			Write '1' to disable interrupt for event STOPPED																													
		Clear	1	Disable																													
		Disabled	0	Read: Disabled																													
		Enabled	1	Read: Enabled																													
C-D	RW SEQSTARTED[i] (i=0..1)			Write '1' to disable interrupt for event SEQSTARTED[i]																													
		Clear	1	Disable																													
		Disabled	0	Read: Disabled																													
		Enabled	1	Read: Enabled																													
E-F	RW SEQEND[i] (i=0..1)			Write '1' to disable interrupt for event SEQEND[i]																													
		Clear	1	Disable																													
		Disabled	0	Read: Disabled																													
		Enabled	1	Read: Enabled																													
G	RW PWMPERIODEND			Write '1' to disable interrupt for event PWMPERIODEND																													
		Clear	1	Disable																													
		Disabled	0	Read: Disabled																													
		Enabled	1	Read: Enabled																													
H	RW LOOPSDONE			Write '1' to disable interrupt for event LOOPSDONE																													
		Clear	1	Disable																													
		Disabled	0	Read: Disabled																													
		Enabled	1	Read: Enabled																													

6.16.5.13 ENABLE

Address offset: 0x500

PWM module enable register

Bit number	31	30	29	28	27	26	25	24	23	22	21	20	19	18	17	16	15	14	13	12	11	10	9	8	7	6	5	4	3	2	1	0
ID																											A					
Reset 0x00000000	0 0																															
ID	Acce Field	Value ID	Value	Description																												
A	RW ENABLE			Enable or disable PWM module																												
		Disabled	0	Disabled																												
		Enabled	1	Enable																												

6.16.5.14 MODE

Address offset: 0x504

Selects operating mode of the wave counter

Bit number	31	30	29	28	27	26	25	24	23	22	21	20	19	18	17	16	15	14	13	12	11	10	9	8	7	6	5	4	3	2	1	0
ID																																A
Reset	0x00000000																															
Reset	0 0																															
ID	Acce	Field	Value ID	Value	Description																											
A	RW	UPDOWN			Selects up mode or up-and-down mode for the counter																											
			Up	0	Up counter, edge-aligned PWM duty cycle																											
			UpAndDown	1	Up and down counter, center-aligned PWM duty cycle																											

6.16.5.15 COUNTERTOP

Address offset: 0x508

Value up to which the pulse generator counter counts

Bit number	31	30	29	28	27	26	25	24	23	22	21	20	19	18	17	16	15	14	13	12	11	10	9	8	7	6	5	4	3	2	1	0																							
ID																											A	A	A	A	A	A	A	A	A	A	A	A	A	A	A	A	A	A	A	A	A	A	A	A	A	A	A	A	A
Reset	0x000003FF																																																						
Reset	0 1 1 1 1 1 1 1 1 1 1 1 1																																																						
ID	Acce	Field	Value ID	Value	Description																																																		
A	RW	COUNTERTOP		[3..32767]	Value up to which the pulse generator counter counts. This register is ignored when DECODER.MODE=WaveForm and only values from RAM are used.																																																		

6.16.5.16 PRESCALER

Address offset: 0x50C

Configuration for PWM_CLK

Bit number	31	30	29	28	27	26	25	24	23	22	21	20	19	18	17	16	15	14	13	12	11	10	9	8	7	6	5	4	3	2	1	0
ID																											A	A	A			
Reset	0x00000000																															
Reset	0 0																															
ID	Acce	Field	Value ID	Value	Description																											
A	RW	PRESCALER			Prescaler of PWM_CLK																											
			DIV_1	0	Divide by 1 (16 MHz)																											
			DIV_2	1	Divide by 2 (8 MHz)																											
			DIV_4	2	Divide by 4 (4 MHz)																											
			DIV_8	3	Divide by 8 (2 MHz)																											
			DIV_16	4	Divide by 16 (1 MHz)																											
			DIV_32	5	Divide by 32 (500 kHz)																											
			DIV_64	6	Divide by 64 (250 kHz)																											
			DIV_128	7	Divide by 128 (125 kHz)																											

6.16.5.17 DECODER

Address offset: 0x510

Configuration of the decoder

Bit number	31 30 29 28 27 26 25 24 23 22 21 20 19 18 17 16 15 14 13 12 11 10 9 8 7 6 5 4 3 2 1 0																																
ID																													B			A A	
Reset 0x00000000	0 0																																
ID	Acce Field	Value ID	Value	Description																													
A	RW LOAD			How a sequence is read from RAM and spread to the compare register																													
		Common	0	1st half word (16-bit) used in all PWM channels 0..3																													
		Grouped	1	1st half word (16-bit) used in channel 0..1; 2nd word in channel 2..3																													
		Individual	2	1st half word (16-bit) in ch.0; 2nd in ch.1; ...; 4th in ch.3																													
		WaveForm	3	1st half word (16-bit) in ch.0; 2nd in ch.1; ...; 4th in COUNTERTOP																													
B	RW MODE			Selects source for advancing the active sequence																													
		RefreshCount	0	SEQ[n].REFRESH is used to determine loading internal compare registers																													
		NextStep	1	NEXTSTEP task causes a new value to be loaded to internal compare registers																													

6.16.5.18 LOOP

Address offset: 0x514

Number of playbacks of a loop

Bit number	31 30 29 28 27 26 25 24 23 22 21 20 19 18 17 16 15 14 13 12 11 10 9 8 7 6 5 4 3 2 1 0																														
ID																													A A		
Reset 0x00000000	0 0																														
ID	Acce Field	Value ID	Value	Description																											
A	RW CNT			Number of playbacks of pattern cycles																											
		Disabled	0	Looping disabled (stop at the end of the sequence)																											

6.16.5.19 SEQ[n].PTR (n=0..1)

Address offset: 0x520 + (n × 0x20)

Beginning address in RAM of this sequence

Bit number	31 30 29 28 27 26 25 24 23 22 21 20 19 18 17 16 15 14 13 12 11 10 9 8 7 6 5 4 3 2 1 0																														
ID	A A																												A A		
Reset 0x00000000	0 0																														
ID	Acce Field	Value ID	Value	Description																											
A	RW PTR			Beginning address in RAM of this sequence																											

Note: See the memory chapter for details about which memories are available for EasyDMA.

6.16.5.20 SEQ[n].CNT (n=0..1)

Address offset: 0x524 + (n × 0x20)

Number of values (duty cycles) in this sequence

Bit number	31	30	29	28	27	26	25	24	23	22	21	20	19	18	17	16	15	14	13	12	11	10	9	8	7	6	5	4	3	2	1	0																					
ID																								A	A	A	A	A	A	A	A	A	A	A	A	A	A	A	A	A	A	A	A	A	A	A	A	A	A	A	A	A	A
Reset 0x00000000	0 0																																																				
ID	Acce Field	Value ID	Value	Description																																																	
A	RW CNT	Disabled	0	Number of values (duty cycles) in this sequence Sequence is disabled, and shall not be started as it is empty																																																	

6.16.5.21 SEQ[n].REFRESH (n=0..1)

Address offset: $0x528 + (n \times 0x20)$

Number of additional PWM periods between samples loaded into compare register

Bit number	31	30	29	28	27	26	25	24	23	22	21	20	19	18	17	16	15	14	13	12	11	10	9	8	7	6	5	4	3	2	1	0																					
ID																								A	A	A	A	A	A	A	A	A	A	A	A	A	A	A	A	A	A	A	A	A	A	A	A	A	A	A	A	A	A
Reset 0x00000001	0 1																																																				
ID	Acce Field	Value ID	Value	Description																																																	
A	RW CNT	Continuous	0	Number of additional PWM periods between samples loaded into compare register (load every REFRESH.CNT+1 PWM periods) Update every PWM period																																																	

6.16.5.22 SEQ[n].ENDDDELAY (n=0..1)

Address offset: $0x52C + (n \times 0x20)$

Time added after the sequence

Bit number	31	30	29	28	27	26	25	24	23	22	21	20	19	18	17	16	15	14	13	12	11	10	9	8	7	6	5	4	3	2	1	0																					
ID																								A	A	A	A	A	A	A	A	A	A	A	A	A	A	A	A	A	A	A	A	A	A	A	A	A	A	A	A	A	A
Reset 0x00000000	0 0																																																				
ID	Acce Field	Value ID	Value	Description																																																	
A	RW CNT			Time added after the sequence in PWM periods																																																	

6.16.5.23 PSEL.OUT[n] (n=0..3)

Address offset: $0x560 + (n \times 0x4)$

Output pin select for PWM channel n

Bit number	31	30	29	28	27	26	25	24	23	22	21	20	19	18	17	16	15	14	13	12	11	10	9	8	7	6	5	4	3	2	1	0
ID	C																							B				A	A	A	A	
Reset 0xFFFFFFFF	1 1																															
ID	Acce Field	Value ID	Value	Description																												
A	RW PIN		[0..31]	Pin number																												
B	RW PORT		[0..1]	Port number																												
C	RW CONNECT	Disconnected	1	Disconnect																												
		Connected	0	Connect																												

6.17 QDEC — Quadrature decoder

The Quadrature decoder (QDEC) provides buffered decoding of quadrature-encoded sensor signals. It is suitable for mechanical and optical sensors.

The sample period and accumulation are configurable to match application requirements. The QDEC provides the following:

- Digital waveform decoding from off-chip quadrature encoder
- Sample accumulation eliminating hard real-time requirements to be enforced on application
- Optional input de-bounce filters.
- Optional LED output signal for optical encoders

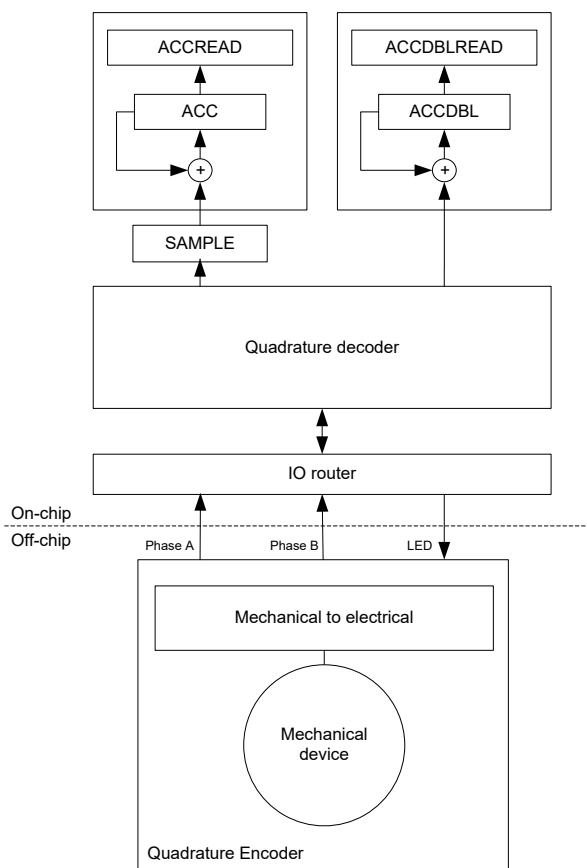


Figure 84: Quadrature decoder configuration

6.17.1 Sampling and decoding

The QDEC decodes the output from an incremental motion encoder by sampling the QDEC phase input pins (A and B).

The off-chip quadrature encoder is an incremental motion encoder outputting two waveforms, phase A and phase B. The two output waveforms are always 90 degrees out of phase, meaning that one always changes level before the other. The direction of movement is indicated by the waveform that changes level first. Invalid transitions may occur, meaning the two waveforms simultaneously switch. This may occur if the wheel rotates too fast relative to the sample rate set for the decoder.

The QDEC decodes the output from the off-chip encoder by sampling the QDEC phase input pins (A and B) at a fixed rate as specified in the SAMPLEPER register.

If the SAMPLEPER value needs to be changed, the QDEC shall be stopped using the STOP task. SAMPLEPER can be then changed upon receiving the STOPPED event, and QDEC can be restarted using the START task. Failing to do so may result in unpredictable behavior.

It is good practice to only change registers LEDPOL, REPORTPER, DBFEN, and LEDPRE when the QDEC is stopped.

When started, the decoder continuously samples the two input waveforms and decodes these by comparing the current sample pair (n) with the previous sample pair (n-1).

The decoding of the sample pairs is described in the table below.

Previous sample pair(n-1)		Current samples pair(n)		SAMPLE register	ACC operation	ACCDBL operation	Description
A	B	A	B				
0	0	0	0	0	No change	No change	No movement
0	0	0	1	1	Increment	No change	Movement in positive direction
0	0	1	0	-1	Decrement	No change	Movement in negative direction
0	0	1	1	2	No change	Increment	Error: Double transition
0	1	0	0	-1	Decrement	No change	Movement in negative direction
0	1	0	1	0	No change	No change	No movement
0	1	1	0	2	No change	Increment	Error: Double transition
0	1	1	1	1	Increment	No change	Movement in positive direction
1	0	0	0	1	Increment	No change	Movement in positive direction
1	0	0	1	2	No change	Increment	Error: Double transition
1	0	1	0	0	No change	No change	No movement
1	0	1	1	-1	Decrement	No change	Movement in negative direction
1	1	0	0	2	No change	Increment	Error: Double transition
1	1	0	1	-1	Decrement	No change	Movement in negative direction
1	1	1	0	1	Increment	No change	Movement in positive direction
1	1	1	1	0	No change	No change	No movement

Table 72: Sampled value encoding

6.17.2 LED output

The LED output follows the sample period. The LED is switched on for a set period before sampling and then switched off immediately after. The period the LED is switched on before sampling is given in the LEDPRE register.

The LED output pin polarity is specified in the LEDPOL register.

When using off-chip mechanical encoders not requiring an LED, the LED output can be disabled by writing value 'Disconnected' to the CONNECT field of the PSEL.LED register. In this case, the QDEC will not acquire access to a pin for the LED output.

6.17.3 Debounce filters

Each of the two-phase inputs have digital debounce filters.

When enabled through the DBFEN register, the filter inputs are sampled at a fixed 1 MHz frequency during the entire sample period (which is specified in the SAMPLEPER register). The filters require all of the samples within this sample period to equal before the input signal is accepted and transferred to the output of the filter.

As a result, only input signal with a steady state longer than twice the period specified in SAMPLEPER are guaranteed to pass through the filter. Any signal with a steady state shorter than SAMPLEPER will always be suppressed by the filter. It is assumed that the frequency during the debounce period never exceeds 500 kHz (as required by the Nyquist theorem when using a 1 MHz sample frequency).

The LED will always be ON when the debounce filters are enabled, as the inputs in this case will be sampled continuously.

When the debounce filters are enabled, displacements reported by the QDEC peripheral are delayed by one SAMPLEPER period.

6.17.4 Accumulators

The quadrature decoder contains two accumulator registers, ACC and ACCDBL. These registers accumulate valid motion sample values and the number of detected invalid samples (double transitions), respectively.

The ACC register accumulates all valid values (1/-1) written to the SAMPLE register. This can be useful for preventing hard real-time requirements from being enforced on the application. When using the ACC register, the application can fetch data when necessary instead of reading all SAMPLE register output. The ACC register holds the relative movement of the external mechanical device from the previous clearing of the ACC register. Sample values indicating a double transition (2) will not be accumulated in the ACC register.

An ACCOF event is generated if the ACC receives a SAMPLE value that would cause the register to overflow or underflow. Any SAMPLE value that would cause an ACC overflow or underflow will be discarded, but any samples that do not cause the ACC to overflow or underflow will still be accepted.

The accumulator ACCDBL accumulates the number of detected double transitions since the previous clearing of the ACCDBL register.

The ACC and ACCDBL registers can be cleared by the READCLRACC and subsequently read using the ACCREAD and ACCDBLREAD registers.

The ACC register can be separately cleared by the RDCLRACC and subsequently read using the ACCREAD registers.

The ACCDBL register can be separately cleared by the RDCLRDBL and subsequently read using the ACCDBLREAD registers.

The REPORTPER register allows automated capture of multiple samples before sending an event. When a non-null displacement is captured and accumulated, a REPORTRDY event is sent. When one or more double-displacements are captured and accumulated, a DBLRDY event is sent. The REPORTPER field in this register determines how many samples must be accumulated before the contents are evaluated and a REPORTRDY or DBLRDY event is sent.

Using the RDCLRACC task (manually sent upon receiving the event, or using the DBLRDY_RDCLRACC shortcut), ACCREAD can then be read.

When a double transition has been captured and accumulated, a DBLRDY event is sent. Using the RDCLRDBL task (manually sent upon receiving the event, or using the DBLRDY_RDCLRDBL shortcut), ACCDBLREAD can then be read.

6.17.5 Output/input pins

The QDEC uses a three-pin interface to the off-chip quadrature encoder.

These pins are acquired when the QDEC is enabled in the ENABLE register. The pins acquired by the QDEC cannot be written by the CPU, but they can still be read by the CPU.

The pin numbers used for the QDEC are selected using the PSEL.n registers.

6.17.6 Pin configuration

The Phase A, Phase B, and LED signals are mapped to physical pins according to the configuration specified in the PSEL.A, PSEL.B, and PSEL.LED registers respectively.

If the CONNECT field value 'Disconnected' is specified in any of these registers, the associated signal will not be connected to any physical pin. The PSEL.A, PSEL.B, and PSEL.LED registers and their configurations are only used as long as the QDEC is enabled, and retained only as long as the device is in ON mode.

When the peripheral is disabled, the pins will behave as regular GPIOs, and use the configuration in their respective OUT bit field and PIN_CNF[n] register.

To secure correct behavior in the QDEC, the pins used by the QDEC must be configured in the GPIO peripheral as described in [GPIO configuration before enabling peripheral](#) on page 269 before enabling the QDEC. This configuration must be retained in the GPIO for the selected I/Os as long as the QDEC is enabled.

Only one peripheral can be assigned to drive a particular GPIO pin at a time. Failing to do so may result in unpredictable behavior.

QDEC signal	QDEC pin	Direction	Output value	Comment
Phase A	As specified in PSEL.A	Input	Not applicable	
Phase B	As specified in PSEL.B	Input	Not applicable	
LED	As specified in PSEL.LED	Input	Not applicable	

Table 73: GPIO configuration before enabling peripheral

6.17.7 Registers

Base address	Peripheral	Instance	Description	Configuration
0x40012000	QDEC	QDEC	Quadrature decoder	

Table 74: Instances

Register	Offset	Description
TASKS_START	0x000	Task starting the quadrature decoder
TASKS_STOP	0x004	Task stopping the quadrature decoder
TASKS_READCLRACC	0x008	Read and clear ACC and ACCDBL
TASKS_RDCLRACC	0x00C	Read and clear ACC
TASKS_RDCLRDBL	0x010	Read and clear ACCDBL
EVENTS_SAMPLERDY	0x100	Event being generated for every new sample value written to the SAMPLE register
EVENTS_REPORTRDY	0x104	Non-null report ready
EVENTS_ACCOF	0x108	ACC or ACCDBL register overflow
EVENTS_DBLRDY	0x10C	Double displacement(s) detected
EVENTS_STOPPED	0x110	QDEC has been stopped
SHORTS	0x200	Shortcuts between local events and tasks
INTENSET	0x304	Enable interrupt
INTENCLR	0x308	Disable interrupt
ENABLE	0x500	Enable the quadrature decoder
LEDPOL	0x504	LED output pin polarity
SAMPLEPER	0x508	Sample period
SAMPLE	0x50C	Motion sample value
REPORTPER	0x510	Number of samples to be taken before REPORTRDY and DBLRDY events can be generated
ACC	0x514	Register accumulating the valid transitions
ACCREAD	0x518	Snapshot of the ACC register, updated by the READCLRACC or RDCLRACC task
PSEL.LED	0x51C	Pin select for LED signal
PSEL.A	0x520	Pin select for A signal
PSEL.B	0x524	Pin select for B signal
DBFEN	0x528	Enable input debounce filters
LEDPRE	0x540	Time period the LED is switched ON prior to sampling
ACCDBL	0x544	Register accumulating the number of detected double transitions

Register	Offset	Description
ACCDLREAD	0x548	Snapshot of the ACCDBL, updated by the READCLRACC or RDCLRDBL task

Table 75: Register overview

6.17.7.1 TASKS_START

Address offset: 0x000

Task starting the quadrature decoder

When started, the SAMPLE register will be continuously updated at the rate given in the SAMPLEPER register.

Bit number	31 30 29 28 27 26 25 24 23 22 21 20 19 18 17 16 15 14 13 12 11 10 9 8 7 6 5 4 3 2 1 0																														
ID	A																														
Reset 0x00000000	0 0																														
ID	Acce Field	Value ID	Value	Description																											
A	W	TASKS_START		Task starting the quadrature decoder																											
				When started, the SAMPLE register will be continuously updated at the rate given in the SAMPLEPER register.																											
		Trigger	1	Trigger task																											

6.17.7.2 TASKS_STOP

Address offset: 0x004

Task stopping the quadrature decoder

Bit number	31 30 29 28 27 26 25 24 23 22 21 20 19 18 17 16 15 14 13 12 11 10 9 8 7 6 5 4 3 2 1 0																														
ID	A																														
Reset 0x00000000	0 0																														
ID	Acce Field	Value ID	Value	Description																											
A	W	TASKS_STOP		Task stopping the quadrature decoder																											
		Trigger	1	Trigger task																											

6.17.7.3 TASKS_READCLRACC

Address offset: 0x008

Read and clear ACC and ACCDBL

Task transferring the content of ACC to ACCREAD and the content of ACCDBL to ACCDBLREAD, and then clearing the ACC and ACCDBL registers. These read-and-clear operations will be done atomically.

Bit number	31 30 29 28 27 26 25 24 23 22 21 20 19 18 17 16 15 14 13 12 11 10 9 8 7 6 5 4 3 2 1 0																														
ID	A																														
Reset 0x00000000	0 0																														
ID	Acce Field	Value ID	Value	Description																											
A	W	TASKS_READCLRACC		Read and clear ACC and ACCDBL																											
				Task transferring the content of ACC to ACCREAD and the content of ACCDBL to ACCDBLREAD, and then clearing the ACC and ACCDBL registers. These read-and-clear operations will be done atomically.																											
		Trigger	1	Trigger task																											

6.17.7.4 TASKS_RDCLRACC

Address offset: 0x00C

Read and clear ACC

Task transferring the content of ACC to ACCREAD, and then clearing the ACC register. This read-and-clear operation will be done atomically.

Bit number	31 30 29 28 27 26 25 24 23 22 21 20 19 18 17 16 15 14 13 12 11 10 9 8 7 6 5 4 3 2 1 0																															
ID																																A
Reset 0x00000000	0 0																															
ID	Acce Field	Value ID	Value	Description																												
A	W	TASKS_RDCLRACC		Read and clear ACC																												
				Task transferring the content of ACC to ACCREAD, and then clearing the ACC register. This read-and-clear operation will be done atomically.																												
		Trigger	1	Trigger task																												

6.17.7.5 TASKS_RDCLRDBL

Address offset: 0x010

Read and clear ACCDBL

Task transferring the content of ACCDBL to ACCDBLREAD, and then clearing the ACCDBL register. This read-and-clear operation will be done atomically.

Bit number	31 30 29 28 27 26 25 24 23 22 21 20 19 18 17 16 15 14 13 12 11 10 9 8 7 6 5 4 3 2 1 0																															
ID																																A
Reset 0x00000000	0 0																															
ID	Acce Field	Value ID	Value	Description																												
A	W	TASKS_RDCLRDBL		Read and clear ACCDBL																												
				Task transferring the content of ACCDBL to ACCDBLREAD, and then clearing the ACCDBL register. This read-and-clear operation will be done atomically.																												
		Trigger	1	Trigger task																												

6.17.7.6 EVENTS_SAMPLERDY

Address offset: 0x100

Event being generated for every new sample value written to the SAMPLE register

Bit number	31 30 29 28 27 26 25 24 23 22 21 20 19 18 17 16 15 14 13 12 11 10 9 8 7 6 5 4 3 2 1 0																															
ID																																A
Reset 0x00000000	0 0																															
ID	Acce Field	Value ID	Value	Description																												
A	RW	EVENTS_SAMPLERDY		Event being generated for every new sample value written to the SAMPLE register																												
		NotGenerated	0	Event not generated																												
		Generated	1	Event generated																												

6.17.7.7 EVENTS_REPORTRDY

Address offset: 0x104

Non-null report ready

Event generated when REPORTPER number of samples has been accumulated in the ACC register and the content of the ACC register is not equal to 0. (Thus, this event is only generated if a motion is detected since the previous clearing of the ACC register).

Bit number	31 30 29 28 27 26 25 24 23 22 21 20 19 18 17 16 15 14 13 12 11 10 9 8 7 6 5 4 3 2 1 0																														
ID	A																														
Reset	0x00000000																														
Reset	0 0																														
ID	Acce Field	Value ID	Value	Description																											
A	RW	EVENTS_REPORTRDY		Non-null report ready																											
				Event generated when REPORTPER number of samples has been accumulated in the ACC register and the content of the ACC register is not equal to 0. (Thus, this event is only generated if a motion is detected since the previous clearing of the ACC register).																											
		NotGenerated	0	Event not generated																											
		Generated	1	Event generated																											

6.17.7.8 EVENTS_ACCOF

Address offset: 0x108

ACC or ACCDBL register overflow

Bit number	31 30 29 28 27 26 25 24 23 22 21 20 19 18 17 16 15 14 13 12 11 10 9 8 7 6 5 4 3 2 1 0																														
ID	A																														
Reset	0x00000000																														
Reset	0 0																														
ID	Acce Field	Value ID	Value	Description																											
A	RW	EVENTS_ACCOF		ACC or ACCDBL register overflow																											
		NotGenerated	0	Event not generated																											
		Generated	1	Event generated																											

6.17.7.9 EVENTS_DBLRDY

Address offset: 0x10C

Double displacement(s) detected

Event generated when REPORTPER number of samples has been accumulated and the content of the ACCDBL register is not equal to 0. (Thus, this event is only generated if a double transition is detected since the previous clearing of the ACCDBL register).

Bit number	31 30 29 28 27 26 25 24 23 22 21 20 19 18 17 16 15 14 13 12 11 10 9 8 7 6 5 4 3 2 1 0																														
ID	A																														
Reset 0x00000000	0 0																														
ID	Acce Field	Value ID	Value	Description																											
A	RW	EVENTS_DBLRDY		Double displacement(s) detected																											
				Event generated when REPORTPER number of samples has been accumulated and the content of the ACCDBL register is not equal to 0. (Thus, this event is only generated if a double transition is detected since the previous clearing of the ACCDBL register).																											
		NotGenerated	0	Event not generated																											
		Generated	1	Event generated																											

6.17.7.10 EVENTS_STOPPED

Address offset: 0x110

QDEC has been stopped

Bit number	31 30 29 28 27 26 25 24 23 22 21 20 19 18 17 16 15 14 13 12 11 10 9 8 7 6 5 4 3 2 1 0																														
ID	A																														
Reset 0x00000000	0 0																														
ID	Acce Field	Value ID	Value	Description																											
A	RW	EVENTS_STOPPED		QDEC has been stopped																											
		NotGenerated	0	Event not generated																											
		Generated	1	Event generated																											

6.17.7.11 SHORTS

Address offset: 0x200

Shortcuts between local events and tasks

Bit number	31 30 29 28 27 26 25 24 23 22 21 20 19 18 17 16 15 14 13 12 11 10 9 8 7 6 5 4 3 2 1 0																														
ID																													G F E D C B A		
Reset 0x00000000	0 0																														
ID	Acce Field	Value ID	Value	Description																											
A	RW	REPORTRDY_READCLRACC		Shortcut between event REPORTRDY and task READCLRACC																											
		Disabled	0	Disable shortcut																											
		Enabled	1	Enable shortcut																											
B	RW	SAMPLERDY_STOP		Shortcut between event SAMPLERDY and task STOP																											
		Disabled	0	Disable shortcut																											
		Enabled	1	Enable shortcut																											
C	RW	REPORTRDY_RDCLRACC		Shortcut between event REPORTRDY and task RDCLRACC																											
		Disabled	0	Disable shortcut																											
		Enabled	1	Enable shortcut																											
D	RW	REPORTRDY_STOP		Shortcut between event REPORTRDY and task STOP																											
		Disabled	0	Disable shortcut																											
		Enabled	1	Enable shortcut																											
E	RW	DBLRDY_RDCLRDBL		Shortcut between event DBLRDY and task RDCLRDBL																											
		Disabled	0	Disable shortcut																											
		Enabled	1	Enable shortcut																											
F	RW	DBLRDY_STOP		Shortcut between event DBLRDY and task STOP																											
		Disabled	0	Disable shortcut																											

Bit number	31 30 29 28 27 26 25 24 23 22 21 20 19 18 17 16 15 14 13 12 11 10 9 8 7 6 5 4 3 2 1 0																																				
ID																															G	F	E	D	C	B	A
Reset 0x00000000	0 0																																				
ID	Acce Field	Value ID	Value	Description																																	
		Enabled	1	Enable shortcut																																	
G	RW SAMPLERDY_READCLRACC			Shortcut between event SAMPLERDY and task READCLRACC																																	
		Disabled	0	Disable shortcut																																	
		Enabled	1	Enable shortcut																																	

6.17.7.12 INTENSET

Address offset: 0x304

Enable interrupt

Bit number	31 30 29 28 27 26 25 24 23 22 21 20 19 18 17 16 15 14 13 12 11 10 9 8 7 6 5 4 3 2 1 0																																		
ID																															E	D	C	B	A
Reset 0x00000000	0 0																																		
ID	Acce Field	Value ID	Value	Description																															
A	RW SAMPLERDY			Write '1' to enable interrupt for event SAMPLERDY																															
		Set	1	Enable																															
		Disabled	0	Read: Disabled																															
		Enabled	1	Read: Enabled																															
B	RW REPORTRDY			Write '1' to enable interrupt for event REPORTRDY																															
				Event generated when REPORTPER number of samples has been accumulated in the ACC register and the content of the ACC register is not equal to 0. (Thus, this event is only generated if a motion is detected since the previous clearing of the ACC register).																															
		Set	1	Enable																															
		Disabled	0	Read: Disabled																															
		Enabled	1	Read: Enabled																															
C	RW ACCOF			Write '1' to enable interrupt for event ACCOF																															
		Set	1	Enable																															
		Disabled	0	Read: Disabled																															
		Enabled	1	Read: Enabled																															
D	RW DBLRDY			Write '1' to enable interrupt for event DBLRDY																															
				Event generated when REPORTPER number of samples has been accumulated and the content of the ACCDBL register is not equal to 0. (Thus, this event is only generated if a double transition is detected since the previous clearing of the ACCDBL register).																															
		Set	1	Enable																															
		Disabled	0	Read: Disabled																															
		Enabled	1	Read: Enabled																															
E	RW STOPPED			Write '1' to enable interrupt for event STOPPED																															
		Set	1	Enable																															
		Disabled	0	Read: Disabled																															
		Enabled	1	Read: Enabled																															

6.17.7.13 INTENCLR

Address offset: 0x308

Disable interrupt

Bit number	31 30 29 28 27 26 25 24 23 22 21 20 19 18 17 16 15 14 13 12 11 10 9 8 7 6 5 4 3 2 1 0																														
ID																															E D C B A
Reset 0x00000000	0 0																														
ID	Acce Field	Value ID	Value	Description																											
A	RW SAMPLERDY			Write '1' to disable interrupt for event SAMPLERDY																											
		Clear	1	Disable																											
		Disabled	0	Read: Disabled																											
		Enabled	1	Read: Enabled																											
B	RW REPORTRDY			Write '1' to disable interrupt for event REPORTRDY																											
				Event generated when REPORTPER number of samples has been accumulated in the ACC register and the content of the ACC register is not equal to 0. (Thus, this event is only generated if a motion is detected since the previous clearing of the ACC register).																											
		Clear	1	Disable																											
		Disabled	0	Read: Disabled																											
		Enabled	1	Read: Enabled																											
C	RW ACCOF			Write '1' to disable interrupt for event ACCOF																											
		Clear	1	Disable																											
		Disabled	0	Read: Disabled																											
		Enabled	1	Read: Enabled																											
D	RW DBLRDY			Write '1' to disable interrupt for event DBLRDY																											
				Event generated when REPORTPER number of samples has been accumulated and the content of the ACCDBL register is not equal to 0. (Thus, this event is only generated if a double transition is detected since the previous clearing of the ACCDBL register).																											
		Clear	1	Disable																											
		Disabled	0	Read: Disabled																											
		Enabled	1	Read: Enabled																											
E	RW STOPPED			Write '1' to disable interrupt for event STOPPED																											
		Clear	1	Disable																											
		Disabled	0	Read: Disabled																											
		Enabled	1	Read: Enabled																											

6.17.7.14 ENABLE

Address offset: 0x500

Enable the quadrature decoder

Bit number	31 30 29 28 27 26 25 24 23 22 21 20 19 18 17 16 15 14 13 12 11 10 9 8 7 6 5 4 3 2 1 0																														
ID																															A
Reset 0x00000000	0 0																														
ID	Acce Field	Value ID	Value	Description																											
A	RW ENABLE			Enable or disable the quadrature decoder																											
				When enabled the decoder pins will be active. When disabled the quadrature decoder pins are not active and can be used as GPIO .																											
		Disabled	0	Disable																											
		Enabled	1	Enable																											

6.17.7.15 LEDPOL

Address offset: 0x504

LED output pin polarity

Bit number	31 30 29 28 27 26 25 24 23 22 21 20 19 18 17 16 15 14 13 12 11 10 9 8 7 6 5 4 3 2 1 0																														
ID																															A
Reset 0x00000000	0 0																														
ID	Acce Field	Value ID	Value	Description																											
A	RW LEDPOL			LED output pin polarity																											
		ActiveLow	0	Led active on output pin low																											
		ActiveHigh	1	Led active on output pin high																											

6.17.7.16 SAMPLEPER

Address offset: 0x508

Sample period

Bit number	31 30 29 28 27 26 25 24 23 22 21 20 19 18 17 16 15 14 13 12 11 10 9 8 7 6 5 4 3 2 1 0																														
ID																															A A A A
Reset 0x00000000	0 0																														
ID	Acce Field	Value ID	Value	Description																											
A	RW SAMPLEPER			Sample period. The SAMPLE register will be updated for every new sample																											
		128us	0	128 μ s																											
		256us	1	256 μ s																											
		512us	2	512 μ s																											
		1024us	3	1024 μ s																											
		2048us	4	2048 μ s																											
		4096us	5	4096 μ s																											
		8192us	6	8192 μ s																											
		16384us	7	16384 μ s																											
		32ms	8	32768 μ s																											
		65ms	9	65536 μ s																											
		131ms	10	131072 μ s																											

6.17.7.17 SAMPLE

Address offset: 0x50C

Motion sample value

Bit number	31 30 29 28 27 26 25 24 23 22 21 20 19 18 17 16 15 14 13 12 11 10 9 8 7 6 5 4 3 2 1 0																														
ID	A A																														
Reset 0x00000000	0 0																														
ID	Acce Field	Value ID	Value	Description																											
A	R SAMPLE		[-1..2]	Last motion sample																											
				The value is a 2's complement value, and the sign gives the direction of the motion. The value '2' indicates a double transition.																											

6.17.7.18 REPORTPER

Address offset: 0x510

Number of samples to be taken before REPORTRDY and DBLRDY events can be generated

Bit number	31 30 29 28 27 26 25 24 23 22 21 20 19 18 17 16 15 14 13 12 11 10 9 8 7 6 5 4 3 2 1 0																																		
ID																																A	A	A	A
Reset 0x00000000	0 0																																		
ID	Acce Field	Value ID	Value	Description																															
A	RW	REPORTPER		Specifies the number of samples to be accumulated in the ACC register before the REPORTRDY and DBLRDY events can be generated. The report period in [μ s] is given as: $RPUS = SP * RP$ Where RPUS is the report period in [μ s/report], SP is the sample period in [μ s/sample] specified in SAMPLEPER, and RP is the report period in [samples/report] specified in REPORTPER .																															
		10Smpl	0	10 samples/report																															
		40Smpl	1	40 samples/report																															
		80Smpl	2	80 samples/report																															
		120Smpl	3	120 samples/report																															
		160Smpl	4	160 samples/report																															
		200Smpl	5	200 samples/report																															
		240Smpl	6	240 samples/report																															
		280Smpl	7	280 samples/report																															
		1Smpl	8	1 sample/report																															

6.17.7.19 ACC

Address offset: 0x514

Register accumulating the valid transitions

Bit number	31 30 29 28 27 26 25 24 23 22 21 20 19 18 17 16 15 14 13 12 11 10 9 8 7 6 5 4 3 2 1 0																																																													
ID	A																															A	A	A	A	A	A	A	A	A	A	A	A	A	A	A	A	A	A	A	A	A	A	A	A	A	A	A	A	A	A	A
Reset 0x00000000	0 0																																																													
ID	Acce Field	Value ID	Value	Description																																																										
A	R	ACC	[-1024..1023]	Register accumulating all valid samples (not double transition) read from the SAMPLE register. Double transitions (SAMPLE = 2) will not be accumulated in this register. The value is a 32 bit 2's complement value. If a sample that would cause this register to overflow or underflow is received, the sample will be ignored and an overflow event (ACCOF) will be generated. The ACC register is cleared by triggering the READCLRACC or the RDCLRACC task.																																																										

6.17.7.20 ACCREAD

Address offset: 0x518

Snapshot of the ACC register, updated by the READCLRACC or RDCLRACC task

Bit number	31	30	29	28	27	26	25	24	23	22	21	20	19	18	17	16	15	14	13	12	11	10	9	8	7	6	5	4	3	2	1	0
ID	A	A	A	A	A	A	A	A	A	A	A	A	A	A	A	A	A	A	A	A	A	A	A	A	A	A	A	A	A	A	A	A
Reset 0x00000000	0	0	0	0	0	0	0	0	0	0	0	0	0	0	0	0	0	0	0	0	0	0	0	0	0	0	0	0	0	0	0	0
ID	Acce Field	Value ID	Value	Description																												
A	R	ACCREAD	[-1024..1023]	Snapshot of the ACC register. The ACCREAD register is updated when the READCLRACC or RDCLRACC task is triggered.																												

6.17.7.21 PSEL.LED

Address offset: 0x51C

Pin select for LED signal

Bit number	31	30	29	28	27	26	25	24	23	22	21	20	19	18	17	16	15	14	13	12	11	10	9	8	7	6	5	4	3	2	1	0				
ID	C																															B	A	A	A	A
Reset 0xFFFFFFFF	1	1	1	1	1	1	1	1	1	1	1	1	1	1	1	1	1	1	1	1	1	1	1	1	1	1	1	1	1	1	1	1	1	1		
ID	Acce Field	Value ID	Value	Description																																
A	RW	PIN	[0..31]	Pin number																																
B	RW	PORT	[0..1]	Port number																																
C	RW	CONNECT		Connection																																
		Disconnected	1	Disconnect																																
		Connected	0	Connect																																

6.17.7.22 PSEL.A

Address offset: 0x520

Pin select for A signal

Bit number	31	30	29	28	27	26	25	24	23	22	21	20	19	18	17	16	15	14	13	12	11	10	9	8	7	6	5	4	3	2	1	0						
ID	C																																	B	A	A	A	A
Reset 0xFFFFFFFF	1	1	1	1	1	1	1	1	1	1	1	1	1	1	1	1	1	1	1	1	1	1	1	1	1	1	1	1	1	1	1	1	1	1	1			
ID	Acce Field	Value ID	Value	Description																																		
A	RW	PIN	[0..31]	Pin number																																		
B	RW	PORT	[0..1]	Port number																																		
C	RW	CONNECT		Connection																																		
		Disconnected	1	Disconnect																																		
		Connected	0	Connect																																		

6.17.7.23 PSEL.B

Address offset: 0x524

Pin select for B signal

Bit number	31 30 29 28 27 26 25 24 23 22 21 20 19 18 17 16 15 14 13 12 11 10 9 8 7 6 5 4 3 2 1 0																																			
ID	C																												B			A	A	A	A	A
Reset 0xFFFFFFFF	1 1																																			
ID	Acce Field	Value ID	Value	Description																																
A	RW PIN		[0..31]	Pin number																																
B	RW PORT		[0..1]	Port number																																
C	RW CONNECT			Connection																																
		Disconnected	1	Disconnect																																
		Connected	0	Connect																																

6.17.7.24 DBFEN

Address offset: 0x528

Enable input debounce filters

Bit number	31 30 29 28 27 26 25 24 23 22 21 20 19 18 17 16 15 14 13 12 11 10 9 8 7 6 5 4 3 2 1 0																														
ID																															A
Reset 0x00000000	0 0																														
ID	Acce Field	Value ID	Value	Description																											
A	RW DBFEN			Enable input debounce filters																											
		Disabled	0	Debounce input filters disabled																											
		Enabled	1	Debounce input filters enabled																											

6.17.7.25 LEDPRE

Address offset: 0x540

Time period the LED is switched ON prior to sampling

Bit number	31 30 29 28 27 26 25 24 23 22 21 20 19 18 17 16 15 14 13 12 11 10 9 8 7 6 5 4 3 2 1 0																																			
ID																													A	A	A	A	A	A	A	A
Reset 0x00000010	0 1 0 0 0 0																																			
ID	Acce Field	Value ID	Value	Description																																
A	RW LEDPRE		[1..511]	Period in μ s the LED is switched on prior to sampling																																

6.17.7.26 ACCDBL

Address offset: 0x544

Register accumulating the number of detected double transitions

Bit number	31 30 29 28 27 26 25 24 23 22 21 20 19 18 17 16 15 14 13 12 11 10 9 8 7 6 5 4 3 2 1 0																															
ID																													A	A	A	A
Reset 0x00000000	0 0																															
ID	Acce Field	Value ID	Value	Description																												
A	R ACCDBL		[0..15]	Register accumulating the number of detected double or illegal transitions. (SAMPLE = 2).																												
				When this register has reached its maximum value, the accumulation of double/illegal transitions will stop. An overflow event (ACCOF) will be generated if any double or illegal transitions are detected after the maximum value was reached. This field is cleared by triggering the READCLRACC or RDCLRDBL task.																												

6.17.7.27 ACCDBLREAD

Address offset: 0x548

Snapshot of the ACCDBL, updated by the READCLRACC or RDCLRDBL task

Bit number	31	30	29	28	27	26	25	24	23	22	21	20	19	18	17	16	15	14	13	12	11	10	9	8	7	6	5	4	3	2	1	0
ID																												A	A	A	A	
Reset 0x00000000	0 0																															
ID	Acce Field	Value ID	Value	Description																												
A	R	ACCDBLREAD	[0..15]	Snapshot of the ACCDBL register. This field is updated when the READCLRACC or RDCLRDBL task is triggered.																												

6.17.8 Electrical specification

6.17.8.1 QDEC Electrical Specification

Symbol	Description	Min.	Typ.	Max.	Units
t _{SAMPLE}	Time between sampling signals from quadrature decoder	128		131072	μs
t _{LED}	Time from LED is turned on to signals are sampled	0		511	μs

6.18 RADIO — 2.4 GHz radio

The 2.4 GHz radio transceiver is compatible with multiple radio standards such as 1 Mbps and 2 Mbps *Bluetooth*[®] Low Energy modes, Long Range (125 kbps and 500 kbps) *Bluetooth*[®] Low Energy modes, IEEE 802.15.4 250 kbps mode, as well as Nordic's proprietary 1 Mbps and 2 Mbps modes.

Listed here are main features for the RADIO:

- Multidomain 2.4 GHz radio transceiver
 - 1 Mbps and 2 Mbps *Bluetooth*[®] Low Energy modes
 - Long Range (125 kbps and 500 kbps) *Bluetooth*[®] Low Energy modes
 - Angle-of-arrival (AoA) and angle-of-departure (AoD) direction finding using *Bluetooth*[®] Low Energy
 - IEEE 802.15.4 250 kbps mode
 - 1 Mbps and 2 Mbps Nordic proprietary modes
- Best in class link budget and low power operation
- Efficient data interface with EasyDMA support
- Automatic address filtering and pattern matching

EasyDMA, in combination with an automated packet assembler, packet disassembler, automated CRC generator and CRC checker, makes it easy to configure and use the RADIO. See the following figure for details.

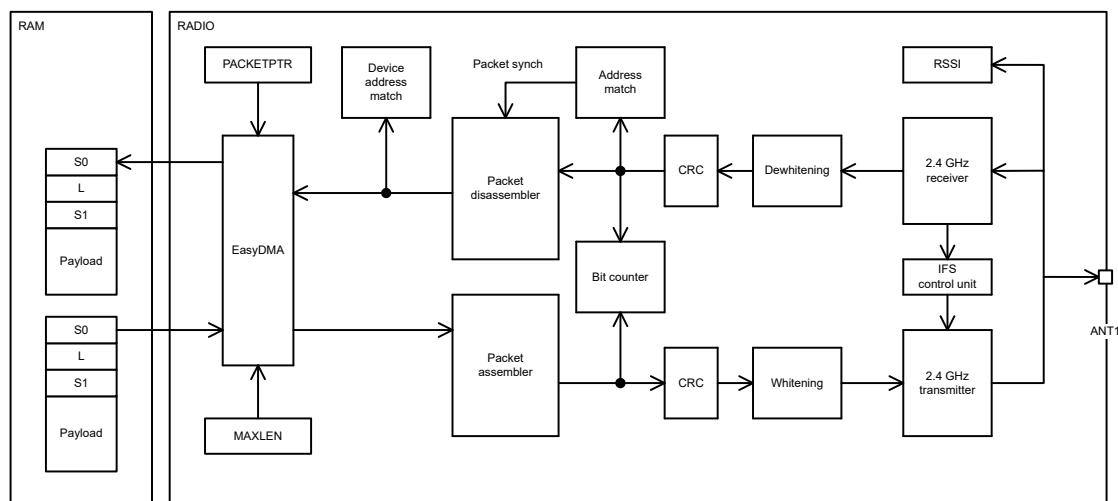


Figure 85: RADIO block diagram

The RADIO includes a device address match unit and an interframe spacing control unit that can be utilized to simplify address whitelisting and interframe spacing respectively in *Bluetooth*[®] low energy and similar applications.

The RADIO also includes a received signal strength indicator (RSSI) and a bit counter. The bit counter generates events when a preconfigured number of bits are sent or received by the RADIO.

6.18.1 Packet configuration

A RADIO packet contains the fields PREAMBLE, ADDRESS, S0, LENGTH, S1, PAYLOAD, and CRC. For Long Range (125 kbps and 500 kbps) *Bluetooth*[®] Low Energy modes, fields CI, TERM1, and TERM2 are also included.

The content of a RADIO packet is illustrated in the figures below. The RADIO sends the fields in the packet according to the order illustrated in the figures, starting on the left.

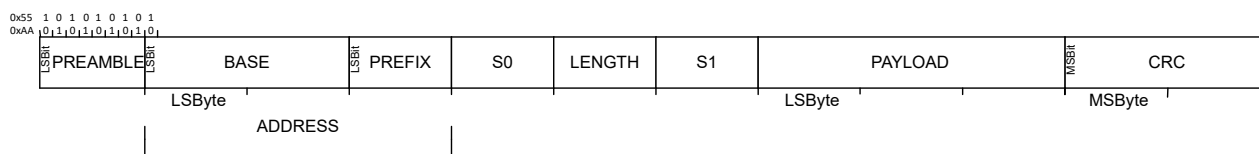


Figure 86: On-air packet layout

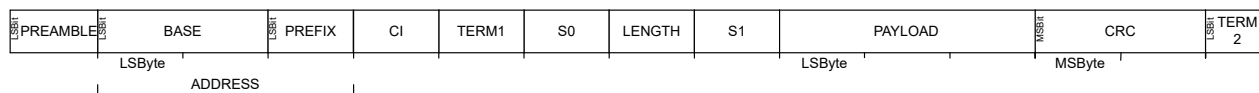


Figure 87: On-air packet layout for Long Range (125 kbps and 500 kbps) *Bluetooth*[®] Low Energy modes

Not shown in the figures is the static payload add-on (the length of which is defined in `PCNF1.STATLEN`, and which is 0 bytes in a standard BLE packet). The static payload add-on is sent between PAYLOAD and CRC fields. The RADIO sends the different fields in the packet in the order they are illustrated above, from left to right.

PREAMBLE is sent with least significant bit first on air. The size of the PREAMBLE depends on the mode selected in the `MODE` register:

- The PREAMBLE is one byte for `MODE = Ble_1Mbit` as well as all Nordic proprietary operating modes (`MODE = Nrf_1Mbit` and `MODE = Nrf_2Mbit`), and `PCNF0.PLEN` has to be set accordingly. If the first bit of the ADDRESS is 0, the preamble will be set to 0xAA. Otherwise the PREAMBLE will be set to 0x55.

- For **MODE** = Ble_2Mbit, the PREAMBLE must be set to 2 bytes through **PCNF0.PLEN**. If the first bit of the ADDRESS is 0, the preamble will be set to 0xAAAA. Otherwise the PREAMBLE will be set to 0x5555.
- For **MODE** = Ble_LR125Kbit and **MODE** = Ble_LR500Kbit, the PREAMBLE is 10 repetitions of 0x3C.
- For **MODE** = leee802154_250Kbit, the PREAMBLE is 4 bytes and set to all zeros.

Radio packets are stored in memory inside instances of a RADIO packet data structure as illustrated below. The PREAMBLE, ADDRESS, CI, TERM1, TERM2, and CRC fields are omitted in this data structure. Fields S0, LENGTH, and S1 are optional.

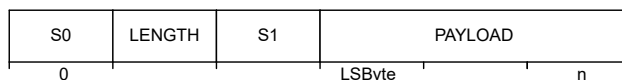


Figure 88: Representation of a RADIO packet in RAM

The byte ordering on air is always least significant byte first for the ADDRESS and PAYLOAD fields, and most significant byte first for the CRC field. The ADDRESS fields are always transmitted and received least significant bit first. The CRC field is always transmitted and received most significant bit first. The endianness, i.e. the order in which the bits are sent and received, of the S0, LENGTH, S1, and PAYLOAD fields can be configured via **PCNF1.ENDIAN**.

The sizes of the S0, LENGTH, and S1 fields can be individually configured via **S0LEN**, **LFLen**, and **S1LEN** in **PCNF0** respectively. If any of these fields are configured to be less than 8 bits, the least significant bits of the fields are used.

If S0, LENGTH, or S1 are specified with zero length, their fields will be omitted in memory. Otherwise each field will be represented as a separate byte, regardless of the number of bits in their on-air counterpart.

Independent of the configuration of **PCNF1.MAXLEN**, the combined length of S0, LENGTH, S1, and PAYLOAD cannot exceed 258 bytes.

6.18.2 Address configuration

The on-air radio ADDRESS field is composed of two parts, the base address field and the address prefix field.

The size of the base address field is configurable via **PCNF1.BALEN**. The base address is truncated from the least significant byte if the **PCNF1.BALEN** is less than 4. See [Definition of logical addresses](#) on page 282.

The on-air addresses are defined in the **BASE0/BASE1** and **PREFIX0/PREFIX1** registers. It is only when writing these registers that the user must relate to the actual on-air addresses. For other radio address registers, such as the **TXADDRESS**, **RXADDRESSES**, and **RXMATCH** registers, logical radio addresses ranging from 0 to 7 are being used. The relationship between the on-air radio addresses and the logical addresses is described in the following table.

Logical address	Base address	Prefix byte
0	BASE0	PREFIX0.AP0
1	BASE1	PREFIX0.AP1
2	BASE1	PREFIX0.AP2
3	BASE1	PREFIX0.AP3
4	BASE1	PREFIX1.AP4
5	BASE1	PREFIX1.AP5
6	BASE1	PREFIX1.AP6
7	BASE1	PREFIX1.AP7

Table 76: Definition of logical addresses

6.18.3 Data whitening

The RADIO is able to do packet whitening and de-whitening, enabled in `PCNF1.WHITEEN`. When enabled, whitening and de-whitening will be handled by the RADIO automatically as packets are sent and received.

The whitening word is generated using polynomial $g(D) = D^7 + D^4 + 1$, which then is XORed with the data packet that is to be whitened, or de-whitened. The linear feedback shift register is initialized via `DATAWHITEIV`. See the following figure.

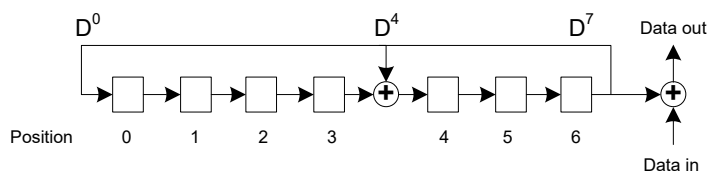


Figure 89: Data whitening and de-whitening

Whitening and de-whitening will be performed over the whole packet except for the preamble and the address fields.

6.18.4 CRC

The CRC generator in RADIO calculates the CRC over the whole packet excluding the preamble. If desirable, the address field can be excluded from the CRC calculation as well.

See `CRC CNF` register for more information.

The CRC polynomial is configurable as illustrated in the following figure, where bit 0 in the `CRC POLY` register corresponds to X^0 and bit 1 corresponds to X^1 etc. See `CRC POLY` on page 328 for more information.

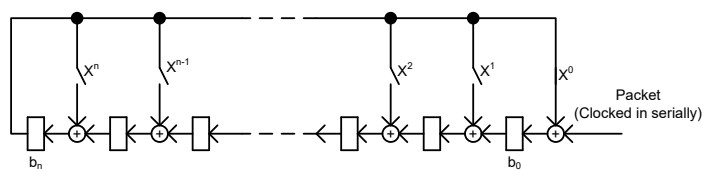


Figure 90: CRC generation of an n bit CRC

The figure shows that the CRC is calculated by feeding the packet serially through the CRC generator. Before the packet is clocked through the CRC generator, the CRC generator's latches b_0 through b_n will be initialized with a predefined value specified in the `CRC INIT` register. After the whole packet has been clocked through the CRC generator, b_0 through b_n will hold the resulting CRC. This value will be used by the RADIO during both transmission and reception. Latches b_0 through b_n are not available to be read by the CPU at any time. However, a received CRC can be read by the CPU via the `RXCRC` register.

The length (n) of the CRC is configurable, see `CRC CNF` for more information.

Once the entire packet, including the CRC, has been received and no errors were detected, RADIO generates a `CRCOK` event. If CRC errors were detected, a `CRCERROR` event is generated.

The status of the CRC check can be read from the `CRCSTATUS` register after a packet has been received.

6.18.5 Radio states

Tasks and events are used to control the operating state of RADIO.

RADIO can enter the states described in the following table.

State	Description
DISABLED	No operations are going on inside the RADIO and the power consumption is at a minimum
RXRU	RADIO is ramping up and preparing for reception
RXIDLE	RADIO is ready for reception to start
RX	Reception has been started and the addresses enabled in the RXADDRESSES register are being monitored
TXRU	RADIO is ramping up and preparing for transmission
TXIDLE	RADIO is ready for transmission to start
TX	RADIO is transmitting a packet
RXDISABLE	RADIO is disabling the receiver
TXDISABLE	RADIO is disabling the transmitter

Table 77: RADIO state diagram

A state diagram showing an overview of RADIO is shown in the following figure.

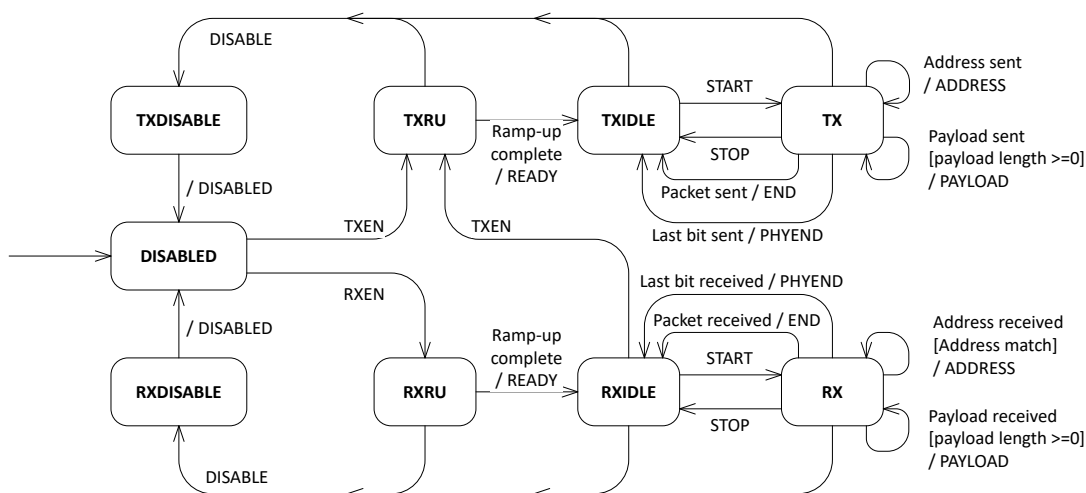


Figure 91: Radio states

This figure shows how the tasks and events relate to the RADIO's operation. The RADIO does not prevent a task from being triggered from the wrong state. If a task is triggered from the wrong state, for example if the **RXEN** task is triggered from the **RXDISABLE** state, this may lead to incorrect behavior. The **PAYLOAD** event is always generated even if the payload is zero.

The **END** to **START** shortcut should not be used with IEEE 802.15.4 250 kbps mode. Use the **PHYEND** to **START** shortcut instead.

The **END** to **START** shortcut should not be used with Long Range (125 kbps and 500 kbps) *Bluetooth*[®] Low Energy modes. Use the **PHYEND** to **START** shortcut instead.

6.18.6 Transmit sequence

Before the RADIO is able to transmit a packet, it must first ramp-up in TX mode. See **TXRU** in [Radio states](#) on page 284 and [Transmit sequence](#) on page 285. A **TXRU** ramp-up sequence is initiated when the **TXEN** task is triggered. After the RADIO has successfully ramped up it will generate the **READY** event

indicating that a packet transmission can be initiated. A packet transmission is initiated by triggering the **START** task. The **START** task can first be triggered after the RADIO has entered into the TXIDLE state.

The following figure illustrates a single packet transmission where the CPU manually triggers the different tasks needed to control the flow of the RADIO, i.e. no shortcuts are used. If shortcuts are not used, a certain amount of delay caused by CPU execution is expected between **READY** and **START**, and between **END** and **DISABLE**. As illustrated in [Transmit sequence](#) on page 285 the RADIO will by default transmit 1s between **READY** and **START**, and between **END** and **DISABLED**. What is transmitted can be programmed through the DTX field in the **MODECNF0** register.

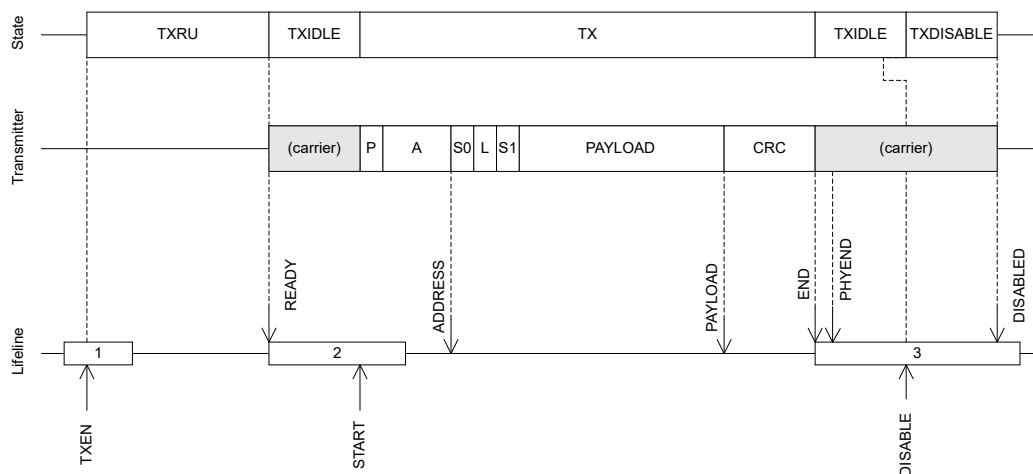


Figure 92: Transmit sequence

The following figure shows a slightly modified version of the transmit sequence where RADIO is configured to use shortcuts between **READY** and **START**, and between **END** and **DISABLE**, which means that no delay is introduced.

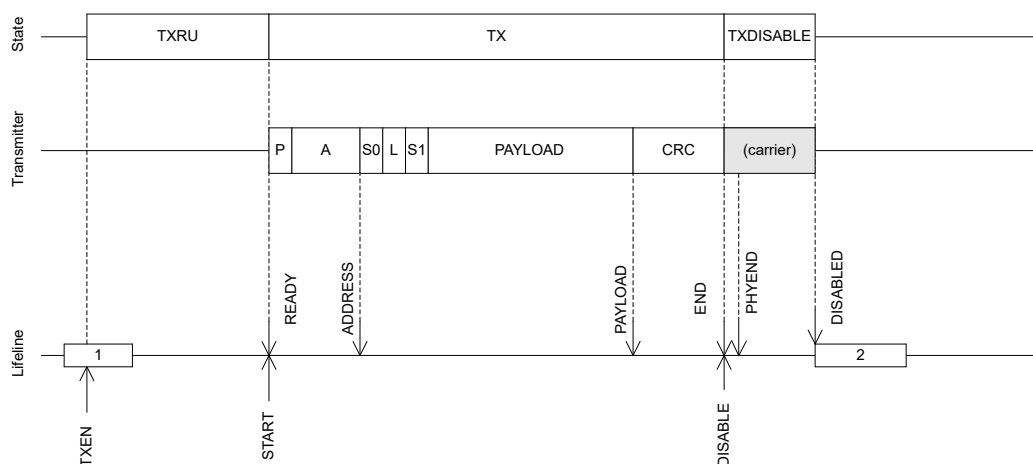


Figure 93: Transmit sequence using shortcuts to avoid delays

RADIO is able to send multiple packets one after the other without having to disable and re-enable the RADIO between packets, as illustrated in the following figure.

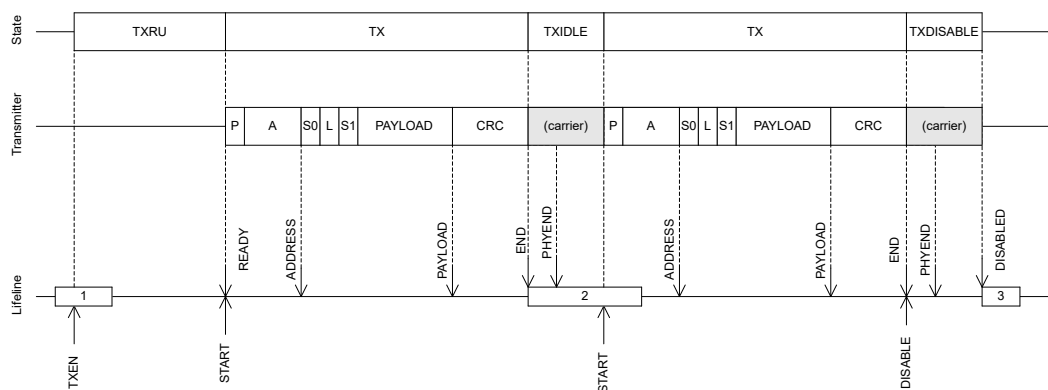


Figure 94: Transmission of multiple packets

6.18.7 Receive sequence

Before RADIO is able to receive a packet, it must first ramp up in RX mode. See RXRU in [Radio states](#) on page 284 and [Receive sequence](#) on page 286 for more information.

An RXRU ramp up sequence is initiated when the [RXEN](#) task is triggered. After RADIO has successfully ramped up it will generate the [READY](#) event indicating that a packet reception can be initiated. A packet reception is initiated by triggering the [START](#) task. As illustrated in [Radio states](#) on page 284, the [START](#) task can first be triggered after RADIO has entered into the RXIDLE state.

The following figure shows a single packet reception where the CPU manually triggers the different tasks needed to control the flow of RADIO, i.e. no shortcuts are used. If shortcuts are not used, a certain amount of delay caused by CPU execution is expected between [READY](#) and [START](#), and between [END](#) and [DISABLE](#). RADIO will be listening and possibly receiving undefined data, represented with an 'X', from [START](#) and until a packet with valid preamble (P) is received.

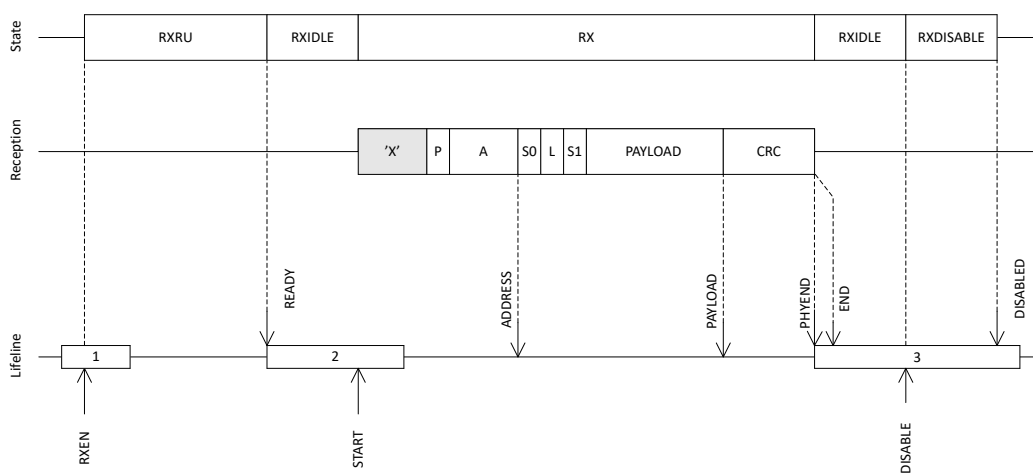


Figure 95: Receive sequence

The following figure shows a modified version of the receive sequence, where RADIO is configured to use shortcuts between [READY](#) and [START](#), and between [END](#) and [DISABLE](#), which means that no delay is introduced.

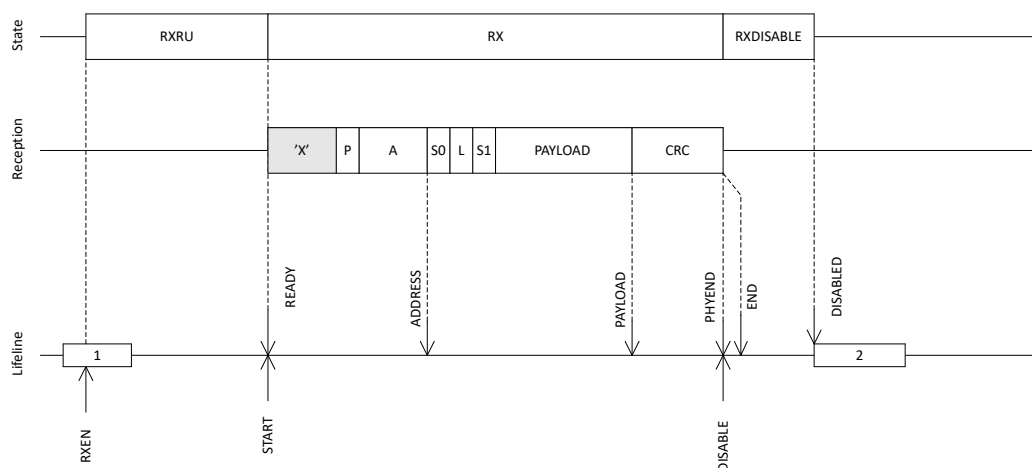


Figure 96: Receive sequence using shortcuts to avoid delays

RADIO is able to receive consecutive packets without having to disable and re-enable RADIO between packets, as illustrated in the following figure.

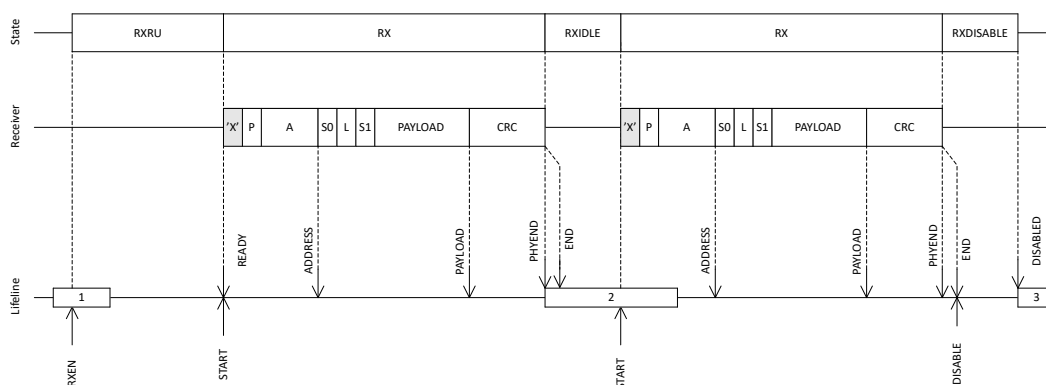


Figure 97: Reception of multiple packets

6.18.8 Received signal strength indicator (RSSI)

RADIO implements a mechanism for measuring the power in the received signal. This feature is called received signal strength indicator (RSSI).

The RSSI is measured continuously and the value filtered using a single-pole IIR filter. After a signal level change, the RSSI will settle after approximately $RSSI_{SETTLE}$.

Sampling of the received signal strength is started by using the `RSSISTART` task. The sample can be read from the `RSSISAMPLE` register.

The sample period of the RSSI is defined by $RSSI_{PERIOD}$. The `RSSISAMPLE` will hold the filtered received signal strength after this sample period.

For the RSSI sample to be valid, the RADIO has to be enabled in receive mode (`RXEN` task) and the reception has to be started (`READY` event followed by `START` task).

6.18.9 Interframe spacing (IFS)

Interframe spacing (IFS) is defined as the time, in microseconds, between two consecutive packets, starting from when the end of the last bit of the previous packet is received, to the beginning of the first bit of the subsequent packet that is transmitted. The RADIO is able to enforce this interval, as specified in the `TIFS` register, as long as the `TIFS` is not specified to be shorter than the RADIO's turnaround time, i.e.

the time needed to switch off the receiver, and then switch the transmitter back on. The **TIFS** register can be written any time before the last bit on air is received.

This timing is illustrated in the figure below.

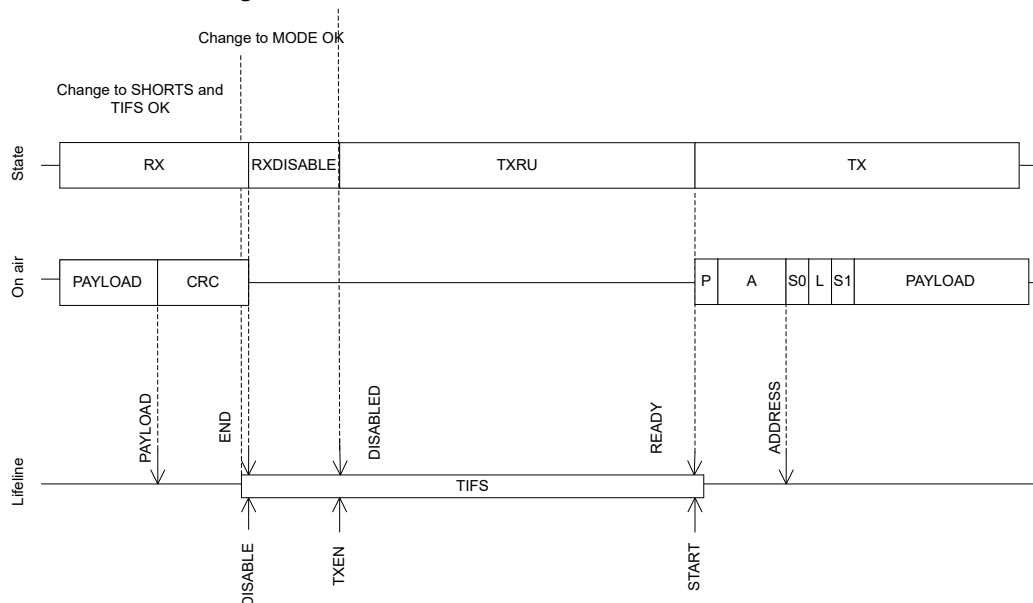


Figure 98: IFS timing detail

The **TIFS** duration starts after the last bit on air (just before the **END** event), and elapses with first bit being transmitted on air (just after **READY** event).

TIFS is only enforced if the shortcuts **END** to **DISABLE** and **DISABLED** to **TXEN** or **END** to **DISABLE** and **DISABLED** to **RXEN** are enabled.

TIFS is qualified for use in IEEE 802.15.4 250kbps mode, Long Range (125 kbps and 500 kbps) *Bluetooth*[®] Low Energy modes, and 1 Mbps and 2 Mbps *Bluetooth*[®] Low Energy modes, using the default ramp-up mode.

SHORTS and **TIFS** registers are not double-buffered, and can be updated at any point before the last bit on air is received. The **MODE** register is double-buffered and sampled at the **TXEN** or **RXEN** task.

6.18.10 Device address match

The device address match feature is tailored for address whitelisting in *Bluetooth*[®] low energy and similar implementations.

This feature enables on-the-fly device address matching while receiving a packet on air. This feature only works in receive mode and when the RADIO is configured for little endian, see **PCNF1.ENDIAN**.

The device address match unit assumes that the first 48 bits of the payload are the device address and that bit number 6 in **S0** is the TxAdd bit. See the *Bluetooth*[®] Core Specification for more information about device addresses, TxAdd, and whitelisting.

The RADIO is able to listen for eight different device addresses at the same time. These addresses are specified in a DAB/DAP register pair, one pair per address, in addition to a TxAdd bit configured in the DACNF register. The DAB register specifies the 32 least significant bits of the device address, while the DAP register specifies the 16 most significant bits of the device address.

Each of the device addresses can be individually included or excluded from the matching mechanism. This is configured in the **DACNF** register.

6.18.11 Bit counter

The RADIO implements a simple counter that can be configured to generate an event after a specific number of bits have been transmitted or received.

By using shortcuts, this counter can be started from different events generated by the RADIO and count relative to these.

The bit counter is started by triggering the **BCSTART** task, and stopped by triggering the **BCSTOP** task. A **BCMATCH** event will be generated when the bit counter has counted the number of bits specified in the **BCC** register. The bit counter will continue to count bits until the **DISABLED** event is generated or until the **BCSTOP** task is triggered. After a **BCMATCH** event, the CPU can reconfigure the **BCC** value for new **BCMATCH** events within the same packet.

The bit counter can only be started after the RADIO has received the **ADDRESS** event.

The bit counter will stop and reset on either the **BCSTOP**, **STOP**, or **DISABLE** task, or the **END** event.

The following figure shows how the bit counter can be used to generate a **BCMATCH** event in the beginning of the packet payload, and again generate a second **BCMATCH** event after sending 2 bytes (16 bits) of the payload.

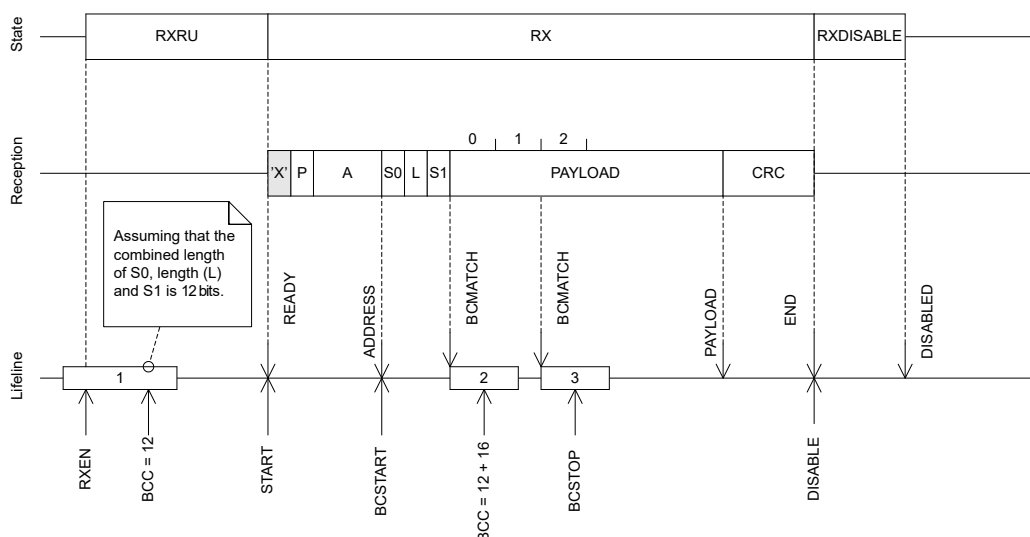


Figure 99: Bit counter example

6.18.12 Direction finding

The RADIO implements the Angle-of-Arrival (AoA) and Angle-of-Departure (AoD) Bluetooth Low Energy feature, which can be used to determine the direction of a peer device. The feature is available for the BLE 1 Mbps and BLE 2 Mbps modes.

When using this feature, the transmitter sends a packet with a continuous tone extension (CTE) appended to the packet, after the CRC. During the CTE, the receiver can take IQ samples of the incoming signal.

An antenna array is employed at the transmitter (AoD) or at the receiver (AoA). The AoD transmitter, or AoA receiver, switches between the antennas, in order to collect IQ samples from the different antenna pairs. The IQ samples can be used to calculate the relative path lengths between the antenna pairs, which can be used to estimate the direction of the transmitter.

6.18.12.1 CTE format

The CTE is from 16 μ s to 160 μ s and consists of an unwhitened sequence of 1's, equivalent to a continuous tone nominally offset from the carrier by +250 kHz for the 1 Mbps PHY and +500 kHz for the 2 Mbps BLE PHYs. The format of the CTE, when switching and/or sampling, is shown in the following figure.

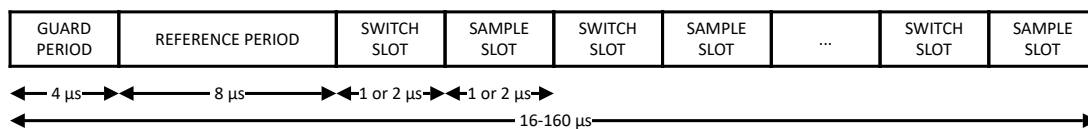


Figure 100: Constant tone extension (CTE) structure

Antenna switching is performed during switch slots and the guard period. The AoA/AoD feature requires that one IQ sample is taken for each microsecond within the reference period, and once for each sample slot. Oversampling is possible by changing the sample spacing as described in [IQ sampling](#) on page 293. The switch slot and sample slot durations are either 1 or 2 μs , but must be equal. The format of the CTE and switching and sampling procedures may be configured prior to, or during, packet transmission and reception. Alternatively, during packet reception, these operations can be configured by reading specific fields of the packet contents.

6.18.12.2 Mode

Depending on the [DFEMODE](#), the device performs the procedures shown in the following table.

	DFEMODE			
	AOA		AOD	
	TX	RX	TX	RX
Generating and transmitting CTE	x		x	
Receiving, interpreting, and sampling CTE		x		x
Antenna switching		x	x	

Table 78: AoA/AoD Procedures performed as a function of DFEMODE and TX/RX mode

6.18.12.3 Inline configuration

When inline configuration is enabled during RX, further configuration of the AoA/AoD procedures is performed based on the values of the CP bit and the CTEInfo octet within the packet. This is enabled by setting [CTEINLINECONF.CTEINLINECTRLLEN](#). The CTEInfo octet is present only if the CP bit is set. The position of the CP bit and CTEInfo octet depends on whether the packet has a *Data Channel PDU* ([CTEINLINECONF.CTEINFOINS1=InS1](#)), or an *Advertising Channel PDU* ([CTEINLINECONF.CTEINFOINS1=NotInS1](#)).

Data channel PDU

For Data Channel PDUs, [PCNF0.SOLEN](#) must be 1 byte, and [PCNF0.LFLEN](#) must be 8 bits. To determine if S1 is present, the registers [CTEINLINECONF.S0MASK](#) and [CTEINLINECONF.S0CONF](#) forms a bitwise mask-and-test for the S0 field. If the bitwise AND between S0 and S0MASK equals S0CONF, then S1 is determined to be present. When present, the value of [PCNF0.S1LEN](#) will be ignored, as this is decided by the CP bit in the the following figure.

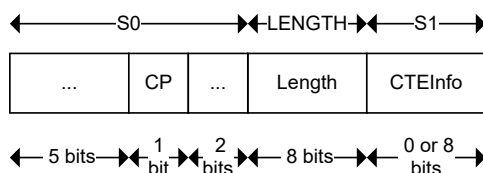


Figure 101: Data channel PDU header

When encrypting and decrypting BLE packets using the [CCM](#) peripheral, it is also required to set [PCNF0.S1INCL=1](#). The CCM mode must be configured to use an 8-bit length field. The value of the CP bit is included in the calculation of the MIC, while the S1 field is ignored by the CCM calculation.

Advertising channel PDU

For advertising channel PDUs, the CTEInfo Flag replaces the CP bit. The CTEInfo Flag is within the extended header flag field in some of the advertising PDUs that employ the common extended advertising payload format (i.e. AUX_SYNC_IND, AUX_CHAIN_IND). The format of such packets is shown in the following figure.

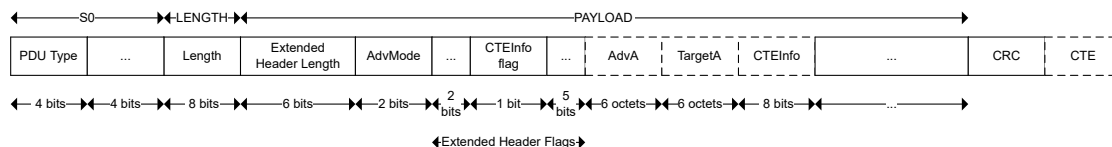


Figure 102: Advertising channel PDU header

The `CTEINLINECONF.SOCONF` and `CTEINLINECONF.SOMASK` fields can be configured to accept only certain advertising PDU Types. If the extended header length is non-zero, the CTEInfo extended header flag is checked to determine whether CTEInfo is present. If a bit before the CTEInfo flag within the extended header flags is set, then the CTEInfo position is postponed 6 octets.

CTEInfo parsing

The CTEInfo field is shown in the following figure.

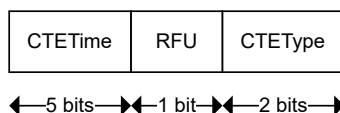


Figure 103: CTEInfo field

The CTETIME field defines the length of the CTE in 8 μ s units. The valid upper bound of values can be adjusted using `CTEINLINECONF.CTETIMEVALIDRANGE`, including allowing use of the RFU bit within this field. If the CTETIME field is an invalid value of either 0 or 1, the CTE is assumed to be the minimum valid length of 16 μ s. The slot duration is determined by the CTEType field. In RX this determines whether the sample spacing as defined in `CTEINLINECONF.CTEINLINERXMODE1US` or `CTEINLINECONF.CTEINLINERXMODE2US` is used.

CTEType	Description	TX switch spacing	RX sample spacing during reference period	Sample spacing RX during reference period
0	AoA, no switching	-	TSAMPLESPACING1	TSAMPLESPACING2
1	AoD, 1 μ s slots	2 μ s	TSAMPLESPACING1	CTEINLINERXMODE1US
2	AoD, 2 μ s slots	4 μ s	TSAMPLESPACING1	CTEINLINERXMODE2US
3	Reserved for future use			

Table 79: Switching and sampling spacing based on CTEType

6.18.12.4 Manual configuration

If `CTEINLINECONF.CTEINLINECTRLLEN` is not set, then the packet is not parsed to determine the CTE parameters, and the antenna switching and sampling is controlled by other registers, see [Antenna switching](#) on page 292. The length of the CTE is given in 8 μ s units by `DFCTRL1.NUMBEROF8US`. The start of the antenna switching and/or sampling (denoted as an AoA/AoD procedure), can be configured to start at some trigger with an additional offset. Using `DFCTRL1.DFEINEXTENSION`, the trigger can be configured to be the end of the CRC, or alternatively, the ADDRESS event. The additional offset for antenna switching is configured using `DFCTRL2.TSWITCHOFFSET`. Similarly, the additional offset for antenna sampling is configured using `DFCTRL2.TSAMPLEOFFSET`.

6.18.12.5 Receive- and transmit sequences

The addition of the CTE to the transmitted packet is illustrated in the following figure.

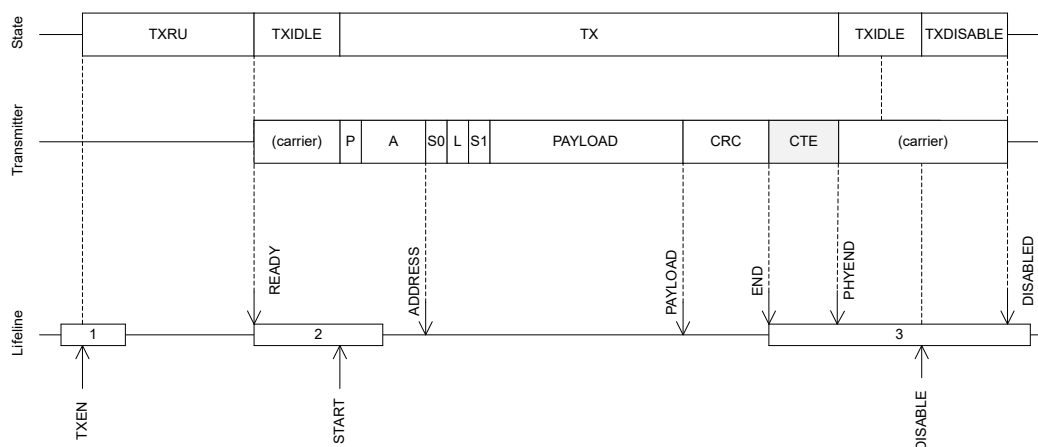


Figure 104: Transmit sequence with DFE

The presence of CTE within a received packet is signalled by the **CTEPRESENT** event illustrated in the figure below.

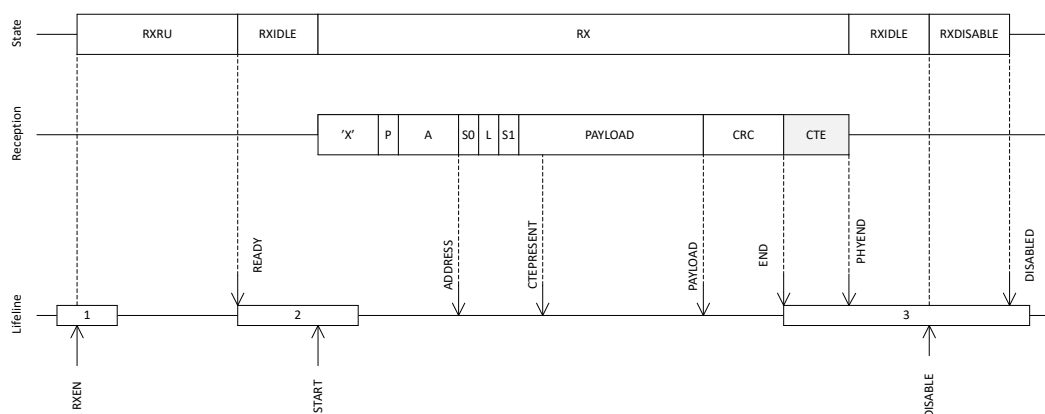


Figure 105: Receive sequence with DFE

6.18.12.6 Antenna switching

The RADIO can control up to 8 GPIO pins in order to control external antenna switches used in direction finding.

Pin configuration

The eight antenna selection signals are mapped to physical pins according to the pin numbers specified in the PSEL.DFEGPIO[n] registers. Only pins that have the PSEL.DFEGPIO[n].CONNECTED field set to *Connected* will be controlled by the RADIO. Pins that are *Disconnected* will be controlled by GPIO.

During transmission in AoD TX mode or reception in AoA RX mode, the RADIO automatically acquires the pins as needed. At times when the RADIO does not use the pin, the pin is released to its default state and controlled by the GPIO configuration. Thus, the pin must be configured using the GPIO peripheral.

Pin acquired by RADIO	Direction	Value	Comment
Yes	Output	Specified in <code>SWITCHPATTERN</code>	Pin acquired by RADIO, and in use for DFE.
No	Specified by GPIO	Specified by GPIO	DFE not in progress. Pin has not been acquired by RADIO, but is available for DFE use.

Table 80: Pin configuration matrix for a connected and enabled pin [n]

Switch pattern configuration

The values of the GPIOs while switching during the CTE are configured by writing successively to the `SWITCHPATTERN` register. The first write to `SWITCHPATTERN` is the GPIO pattern applied from the call of `TASKS_TXEN` or `TASKS_RXEN` until the first antenna switch is triggered. The second write sets the pattern for the reference period and is applied at the start of the guard period. The following writes set the pattern for the remaining switch slots and are applied at the start of each switch slot. If writing beyond the total number of antenna slots, the pattern will wrap to `SWITCHPATTERN[2]` and start over again. During operation, when the end of the `SWITCHPATTERN` buffer is reached, the RADIO cycles back to `SWITCHPATTERN[2]`. At the end of the AoA/AoD procedure, `SWITCHPATTERN[0]` is applied to `DFCTRL1.TSWITCHSPACING` after the previous antenna switch. The `SWITCHPATTERN` buffer can be erased/cleared using `CLEARPATTERN`.

A minimum number of three patterns must be written to the `SWITCHPATTERN` register.

If `CTEINLINECONF.CTEINLINECTRLLEN` is not set, then the antenna switch spacing is determined by `DFCTRL1.TSWITCHSPACING` (otherwise described by [Switching and sampling spacing based on CTEType](#) on page 291). `DFCTRL2.TSWITCHOFFSET` determines the position of the first switch compared to the configurable start of CTE (see `DFCTRL1.DFEINEXTENSION`).

6.18.12.7 IQ sampling

The RADIO uses DMA to write IQ samples recorded during the CTE to RAM. Alternatively, the magnitude and phase of the samples can be recorded using the `DFCTRL1.SAMPLETYPE` field. The samples are written to the location in RAM specified by `DFEPACKET.PTR`. The maximum number of samples to transfer are specified by `DFEPACKET.MAXCNT` and the number of samples transferred are given in `DFEPACKET.AMOUNT`. The IQ samples are recorded with respect to the RX carrier frequency. The format of the samples is provided in the following table.

SAMPLETYPE	Field	Bits	Description
0: I_Q (default)	Q	31:16	12 bits signed, sign extended to 16 bits. Out of range samples are saturated at value -32768.
	I	15:0	
1: MagPhase	reserved	31:29	Always zero
	magnitude	28:16	13 bits unsigned. Equals $1.646756 * \sqrt{I^2 + Q^2}$.
	phase	15:0	9 bits signed, sign extended to 16 bits. Equals $64 * \text{atan2}(Q, I)$ in the range [-201,201].

Table 81: Format of samples

Oversampling is configured separately for the reference period and for the time after the reference period. During the reference period, the sample spacing is determined by `DFCTRL1.TSAMPLSPACINGREF`. `DFCTRL2.TSAMPLEOFFSET` determines the position of the first sample relative to the end of the last bit of the CRC.

For the time after the reference period, if `CTEINLINECONF.CTEINLINECTRLLEN` is disabled, the sample spacing is set in `DFCTRL1.TSAMPLSPACING`. However, when `CTEINLINECONF.CTEINLINECTRLLEN` is enabled, the sample spacing is determined by two different registers, depending on whether the device is in AoA or AoD RX-mode.

For AoD RX mode, the sample spacing after the reference period is determined by the CTEType in the packet, as listed in the following table.

CTEType	Sample spacing
AoD 1 μ s slots	CTEINLINECONF.CTEINLINERXMODE1US
AoD 2 μ s slots	CTEINLINECONF.CTEINLINERXMODE2US
Other	DFCTRL1.TSAMPLESPACING

Table 82: Sample spacing when CTEINLINECONF.CTEINLINECTRLLEN is set and the device is in AoD RX mode

For AoA RX mode, the sample spacing after the reference period is determined by DFCTRL1.TSWITCHSPACING, as listed in the following table.

DFCTRL1.TSWITCHSPACING	Sample spacing
2 μ s	CTEINLINECONF.CTEINLINERXMODE1US
4 μ s	CTEINLINECONF.CTEINLINERXMODE2US
Other	DFCTRL1.TSAMPLESPACING

Table 83: Sample spacing when CTEINLINECONF.CTEINLINECTRLLEN is set and the device is in AoA RX mode

For the reference and switching periods, DFCTRL1.TSAMPLESPACINGREF and DFCTRL1.TSAMPLESPACING can be used to achieve oversampling.

6.18.13 IEEE 802.15.4 operation

With the `MODE=ieee802154_250kbit` the RADIO will comply with the IEEE 802.15.4-2006 standard implementing its 250 kbps, 2450 MHz, O-QPSK PHY.

The IEEE 802.15.4 standard differs from Nordic's proprietary and *Bluetooth*[®] low energy modes. Notable differences include modulation scheme, channel structure, packet structure, security, and medium access control.

The main features of the IEEE 802.15.4 mode are:

- Ultra-low power 250 kbps, 2450 MHz, IEEE 802.15.4-2006 compliant link
- Clear channel assessment
- Energy detection scan
- CRC generation

6.18.13.1 Packet structure

The IEEE 802.15.4 standard defines an on-the-air frame/packet that is different from what is used in BLE mode.

The following figure provides an overview of the physical frame structure and its timing.

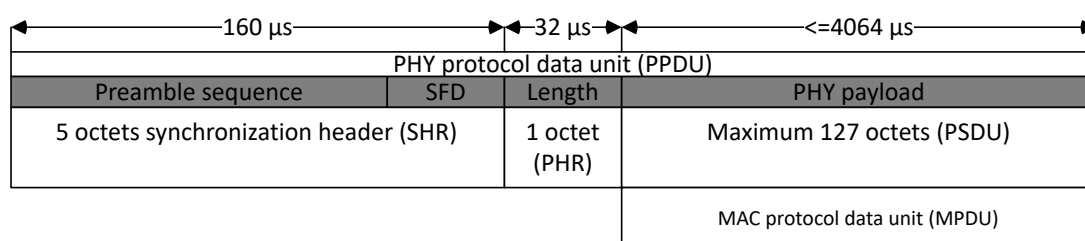


Figure 106: IEEE 802.15.4 frame format (PPDU)

The standard uses the term *octet* for an 8-bit storage unit within the PPDU. For timing, the value *symbol* is used, and it has a duration of 16 μ s.

The total usable payload (PSDU) is 127 octets, but when CRC is in use, this is reduced to 125 octets of usable payload.

The preamble sequence consists of four octets that are all zero, and are used for synchronizing the RADIO's receiver. Following the preamble is the single octet *start of frame delimiter (SFD)*, with a fixed value of 0xA7. An alternate SFD can be programmed through the **SFD** register, providing an initial level of frame filtering for those who choose non-standard compliance. It is a valuable feature when operating in a congested or private network. The preamble sequence and the SFD are generated by the RADIO, and are not programmed by the user into the frame buffer.

Following the five octet *synchronization header (SHR)* is the single octet *phy header (PHR)*. The least significant seven bits of PHR denote the frame length of the following PSDU. The most significant bit is reserved and is set to zero for frames that are standard compliant. The RADIO reports all eight bits which can be used to carry additional information. The PHR is the first byte written to the frame data memory pointed to by **PACKETPTR**. Frames with zero length are discarded, and the **FRAMESTART** event is not generated in this case.

The next N octets carry the data of the PHY packet, where N equals the value of the PHR. For an implementation also using the IEEE 802.15.4 MAC layer, the PHY data is a MAC frame of N-2 octets, since two octets occupy a CRC field.

An IEEE 802.15.4 MAC layer frame consists of the following:

- A header:
 - The frame control field (FCF)
 - The sequence number
 - Addressing fields
- A payload
- The 16-bit frame control sequence (FCS)

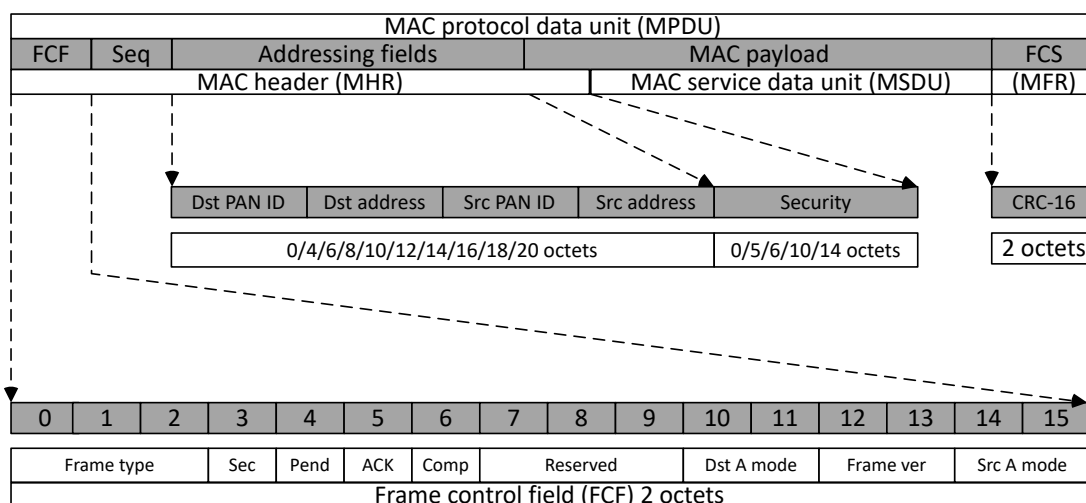


Figure 107: IEEE 802.15.4 frame format (MPDU)

The two FCF octets contain information about the frame type, addressing, and other control flags. This field is decoded when using the assisted operating modes offered by the RADIO.

The sequence number is a single octet in size and is unique for a frame. It is used in the associated acknowledgement frame sent upon successful frame reception.

The addressing field can be zero (acknowledgement frame) or up to 20 octets in size. The field is used to direct packets to the correct recipient and denote its origin. IEEE 802.15.4 bases its addressing on networks being organized in PANs with 16-bit identifier and nodes having a 16-bit or 64-bit address. In the assisted receive mode, these parameters are analyzed for address matching and acknowledgement.

The MAC payload carries the data of the next higher layer, or in the case of a MAC command frame, information used by the MAC layer itself.

The two last octets contain the 16-bit ITU-T CRC. The FCS is calculated over the MAC header (MHR) and MAC payload (MSDU) parts of the frame. This field is calculated automatically when sending a frame, or indicated in the `CRCSTATUS` register when a frame is received. If configured, this feature is taken care of autonomously by the CRC module.

6.18.13.2 Operating frequencies

The IEEE 802.15.4 standard defines 16 channels, 11 - 26, of 5 MHz each, in the 2450 MHz frequency band.

To choose the correct channel center frequency, the `FREQUENCY` register must be programmed according to the table below.

IEEE 802.15.4 channel	Center frequency (MHz)	FREQUENCY setting
Channel 11	2405	5
Channel 12	2410	10
Channel 13	2415	15
Channel 14	2420	20
Channel 15	2425	25
Channel 16	2430	30
Channel 17	2435	35
Channel 18	2440	40
Channel 19	2445	45
Channel 20	2450	50
Channel 21	2455	55
Channel 22	2460	60
Channel 23	2465	65
Channel 24	2470	70
Channel 25	2475	75
Channel 26	2480	80

Table 84: IEEE 802.15.4 center frequency definition

6.18.13.3 Energy detection (ED)

As required by the IEEE 802.15.4 standard, it must be possible to sample the received signal power within the bandwidth of a channel, for the purpose of determining presence of activity.

To prevent the channel signal from being decoded, the shortcut between the `READY` event and the `START` task should be disabled before putting the RADIO in receive mode. The energy detection (ED) measurement time, where RSSI samples are averaged, is 8 symbol periods, corresponding to 128 μ s. The standard further specifies the measurement to be a number between 0 and 255, where 0 shall indicate received power less than 10 dB above the selected receiver sensitivity. The power range of the ED values must be at least a 40 dB linear mapping with accuracy of ± 6 dB. See section 6.9.7 *Receiver ED* in the IEEE 802.15.4 standard for further details.

The following example shows how to perform a single energy detection measurement and convert to IEEE 802.15.4 scale.

IEEE 802.15.4 ED measurement example

```

#define ED_RSSISCALE 4 // From electrical specifications
uint8_t sample_ed(void)
{
    int val;
    NRF_RADIO->TASKS_EDSTART = 1; // Start
    while (NRF_RADIO->EVENTS_EDEND != 1) {
        // CPU can sleep here or do something else
        // Use of interrupts are encouraged
    }
    val = NRF_RADIO->EDSAMPLE * ED_RSSISCALE; // Read level
    return (uint8_t)(val>255 ? 255 : val); // Convert to IEEE 802.15.4
    scale
}

```

For scaling between hardware value and dBm, see equation [Conversion between hardware value and dBm](#) on page 299.

The `mlme-scan.req` primitive of the MAC layer uses the ED measurement to detect channels where there might be wireless activity. To assist this primitive, a tailored mode of operation is available where the ED measurement runs for a defined number of iterations keeping track of the maximum ED level. This is engaged by writing the `EDCNT` register to a value different from 0, where it will run the specified number of iterations and report the maximum energy measurement in the `EDSAMPLE` register. The scan is started with `EDSTART` task and its end indicated with the `EDEND` event. This significantly reduces the interrupt frequency and therefore power consumption. The following figure shows how the ED measurement will operate depending on the `EDCNT` register.

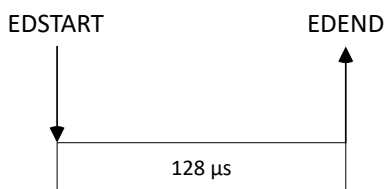
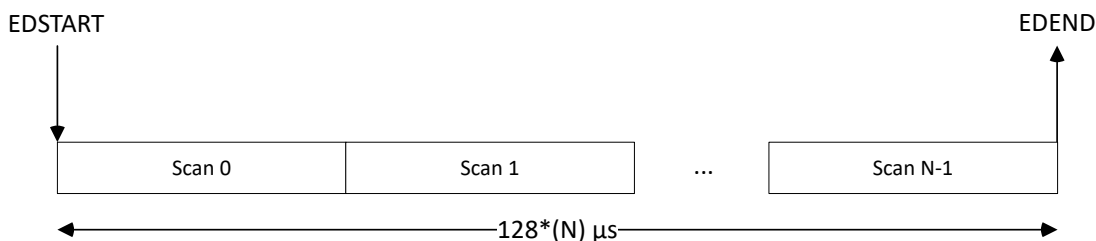
EDCNT = 0**EDCNT = N-1**

Figure 108: Energy detection measurement examples

The scan is stopped by writing the `EDSTOP` task. It will be followed by the `EDSTOPPED` event when the module has terminated.

6.18.13.4 Clear channel assessment (CCA)

IEEE 802.15.4 implements a listen-before-talk channel access method to avoid collisions when transmitting, known as *carrier sense multiple access with collision avoidance (CSMA-CA)*. The key part of this is measuring if the wireless medium is busy or not.

The following clear channel assesment modes are supported:

- *CCA Mode 1* (energy above threshold) - The medium is reported busy upon detecting any energy above the ED threshold.
- *CCA Mode 2* (carrier sense only) - The medium is reported busy upon detection of a signal compliant with the IEEE 802.15.4 standard with the same modulation and spreading characteristics.
- *CCA Mode 3* (carrier sense with energy above threshold) - The medium is reported busy using a logical combination (AND/OR) between the results from CCA Mode 1 and CCA Mode 2.

The clear channel assessment should survey a period equal to 8 symbols or 128 μ s.

The RADIO must be in receive mode and be able to receive correct packets when performing the CCA. The shortcut between **READY** and **START** must be disabled if baseband processing is not to be performed while the measurement is running.

CCA Mode 1

CCA Mode 1 is enabled by first configuring the field `CCACTRL.CCAMODE=EdMode` and writing the `CCACTRL.CCAEDTHRES` field to a chosen value. Once the `CCASTART` task is written, the RADIO will perform a ED measurement for 8 symbols and compare the measured level with that found in the `CCACTRL.CCAEDTHRES` field. If the measured value is higher than or equal to this threshold, the `CCABUSY` event is generated. If the measured level is less than the threshold, the `CCAIDLE` event is generated.

CCA Mode 2

CCA Mode 2 is enabled by configuring `CCACTRL.CCAMODE=CarrierMode`. The RADIO will sample to see if a valid SFD is found during the 8 symbols. If a valid SFD is detected, the `CCABUSY` event is generated and the device should not send any data. The `CCABUSY` event is also generated if the scan was performed during an ongoing frame reception. In the case where the measurement period completes with no SFD detection, the `CCAIDLE` event is generated. When `CCACTRL.CCACORRCNT` is not zero, the algorithm will look at the correlator output in addition to the SFD detection signal. If a SFD is reported during the scan period, it will terminate immediately indicating busy medium. Similarly, if the number of peaks above `CCACTRL.CCACORRTHRES` crosses the `CCACTRL.CCACORRCNT`, the `CCACTRL.CCABUSY` event is generated. If less than `CCACORRCOUNT` crossings are found and no SFD is reported, the `CCAIDLE` event will be generated and the device can send data.

CCA Mode 3

CCA Mode 3 is enabled by configuring `CCACTRL.CCAMODE=CarrierAndEdMode` or `CCACTRL.CCAMODE=CarrierOrEdMode`, performing the required logical combination of the result from CCA Mode 1 and 2. The `CCABUSY` or `CCAIDLE` events are generated by ANDing or ORing the *energy above threshold* and *carrier detection* scans.

Shortcuts

An ongoing CCA can always be stopped by issuing the `CCASTOP` task. This will trigger the associated `CCASTOPPED` event.

For CCA mode automation, a number of shortcuts are available.

- To automatically switch between RX (when performing the CCA) and to TX where the packet is sent, the shortcut between `CCAIDLE` and `TXEN`, in conjunction with the short between `CCAIDLE` and `STOP` must be used.

- To automatically disable the RADIO whenever the CCA reports a busy medium, the shortcut between `CCABUSY` and `DISABLE` can be used.
- To immediately start a CCA after ramping up into RX mode, the shortcut between `RXREADY` and `CCASTART` can be used.

Conversion

The conversion from a `CCAEDTHRES`, `LQI`, or `EDSAMPLE` value to dBm can be done with the following equation, where `VALHARDWARE` is either `CCAEDTHRES`, `LQI`, or `EDSAMPLE`. `LQI` and `EDSAMPLE` are hardware-reported values, while `CCAEDTHRES` is set by software. Constants `ED_RSSISCALE` and `ED_RSSIOFFS` are from electrical specifications.

$$P_{RF}[\text{dBm}] = \text{ED_RSSIOFFS} + \text{VAL}_{\text{HARDWARE}}$$

Figure 109: Conversion between hardware value and dBm

The `ED_RSSISCALE` constant is used to calculate power in 802.15.4 units (0-255):

$$P_{RF}[\text{802.15.4 units}] = \text{MIN}(\text{ED_RSSISCALE} \times \text{VAL}_{\text{HARDWARE}}, 255)$$

Figure 110: Conversion between hardware value and 802.15.4 units (0-255)

6.18.13.5 Cyclic redundancy check (CRC)

IEEE 802.15.4 uses a 16-bit ITU-T cyclic redundancy check (CRC) calculated over the MAC header (MHR) and MAC service data unit (MSDU).

The standard defines the following generator polynomial:

$$G(x) = x^{16} + x^{12} + x^5 + 1$$

In receive mode the RADIO will trigger the CRC module when the first octet after the frame length (PHR) is received. The CRC will then update on each consecutive octet received. When a complete frame is received the `CRCSTATUS` register will be updated accordingly and the `CRCOK` or `CRCERROR` events generated. When the CRC module is enabled it will not write the two last octets (CRC) to the frame Data RAM. When transmitting, the CRC will be computed on the fly, starting with the first octet after PHR, and inserted as the two last octets in the frame. The EasyDMA will fetch frame length minus 2 octets from RAM and insert the CRC octets insitu.

The following code shows how to configure the CRC module for correct operation when in IEEE 802.15.4 mode. The `CRC CNF` is written to 16-bit CRC and the `CRC POLY` is written to 0x11021. The start value used by IEEE 802.15.4 is zero and `CRC INIT` is configured to reflect this.

```
/* 16-bit CRC with ITU-T polynomial with 0 as start condition*/
NRF_RADIO->CRCCNF = ((RADIO_CRCCNF_SKIPADDR_Ieee802154 << RADIO_CRCCNF_SKIPADDR_Pos) |
                    (RADIO_CRCCNF_LEN_Two << RADIO_CRCCNF_LEN_Pos));
NRF_RADIO->CRCPOLY = 0x11021;
NRF_RADIO->CRCINIT = 0;
```

The `ENDIANESS` subregister must be set to little-endian since the FCS field is transmitted from left bit to right.

6.18.13.6 Transmit sequence

The transmission is started by first putting the RADIO in receive mode and triggering the `RXEN` task.

An outline of the IEEE 802.15.4 transmission is illustrated in the following figure.

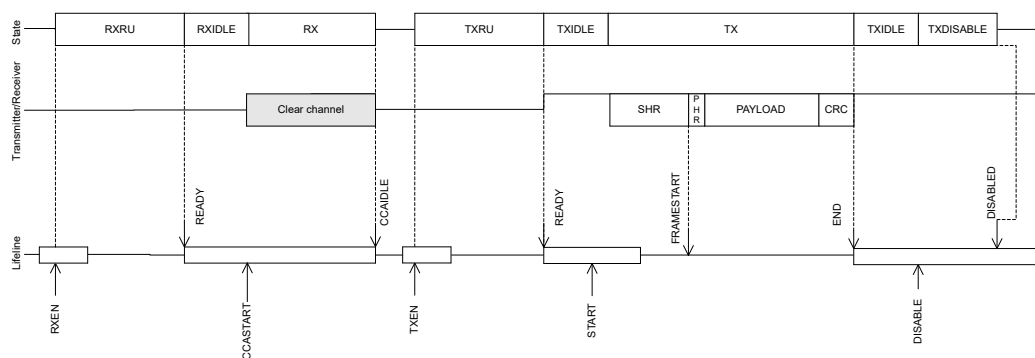


Figure 111: IEEE 802.15.4 transmit sequence

The receiver will ramp up and enter the RXIDLE state where the **READY** event is generated. Upon receiving the ready event, the CCA is started by triggering the **CCASTART** task. The chosen mode of assessment (**CCACTRL.CCAMODE** register) will be performed and signal the **CCAIDLE** or **CCABUSY** event 128 μ s later. If the **CCABUSY** event is received, the RADIO will have to retry the CCA after a specific back-off period. This is outlined in the *IEEE 802.15.4 standard, Figure 69 in section 7.5.1.4 The CSMA-CA algorithm*.

If the **CCAIDLE** event is generated, a write to the **TXEN** task register enters the RADIO in TXRU state. The **READY** event will be generated when the RADIO is in TXIDLE state and ready to transmit. With the **PACKETPTR** pointing to the length (PHR) field of the frame, the **START** task can be written. The RADIO will send the four octet preamble sequence followed by the start of frame delimiter (**SFD** register). The first byte read from the Data RAM is the length field (PHR) followed by the transmission of the number of bytes indicated as the frame length. If the CRC module is configured it will run for PHR-2 octets. The last two octets will be substituted with the results from running the CRC. The necessary CRC parameters are sampled on the **START** task. The FCS field of the frame is little endian.

In addition to the already available shortcuts, one is provided between **READY** event and **CCASTART** task so that a CCA can automatically start when the receiver is ready. A second shortcut has been added between **CCAIDLE** event and the **TXEN** task, so that upon detecting a clear channel the RADIO can immediately enter transmit mode.

6.18.13.7 Receive sequence

The reception is started by first putting the RADIO in receive mode. After writing to the **RXEN** task, the RADIO will start ramping up and enter the RXRU state.

When the **READY** event is generated, the RADIO enters the RXIDLE mode. For the baseband processing to be enabled, the **START** task must be written. An outline of the IEEE 802.15.4 reception can be found in the following figure.

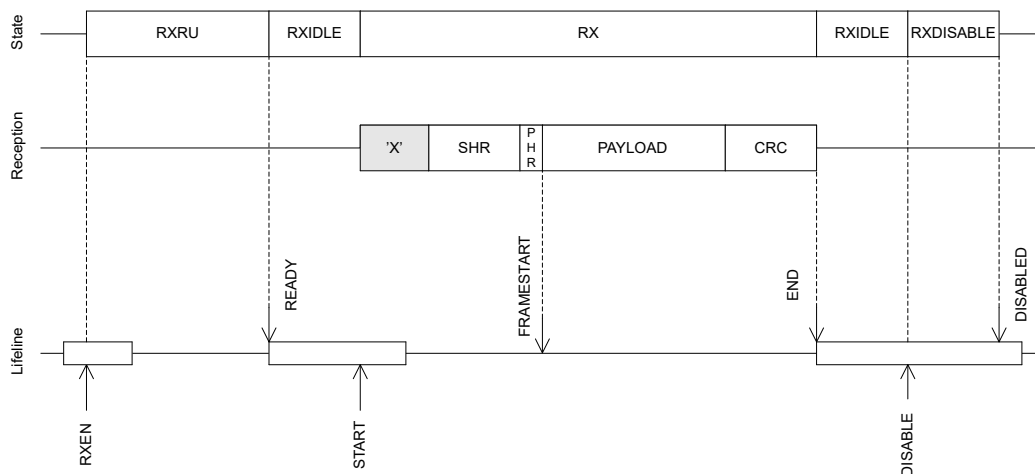


Figure 112: IEEE 802.15.4 receive sequence

When a valid SHR is received, the RADIO will start storing future octets (starting with PHR) to the data memory pointed to by `PACKETPTR`. After the SFD octet is received, the `FRAMESTART` event is generated. If the CRC module is enabled it will start updating with the second byte received (first byte in payload) and run for the full frame length. The two last bytes in the frame are not written to RAM when CRC is configured. However, if the result of the CRC after running the full frame is zero, the `CRCOK` event will be generated. The `END` event is generated when the last octet has been received and is available in data memory.

When a packet is received, a link quality indicator (LQI) is also generated and appended immediately after the last received octet. When using an IEEE 802.15.4 compliant frame, this will be just after the MSDU since the FCS is not reported. In the case of a non-compliant frame, it will be appended after the full frame. The LQI reported by hardware must be converted to IEEE 802.15.4 range by an 8-bit saturating multiplication of 4, as shown in [IEEE 802.15.4 ED measurement example](#) on page 297. The LQI is only valid for frames equal to or longer than three octets. When receiving a frame, the RSSI (reported as negative dB) will be measured at three points during the reception. These three values will be sorted and the middle one selected (median 3) to be remapped within the LQI range. The following figure illustrates the LQI measurement and how the data is arranged in data memory.

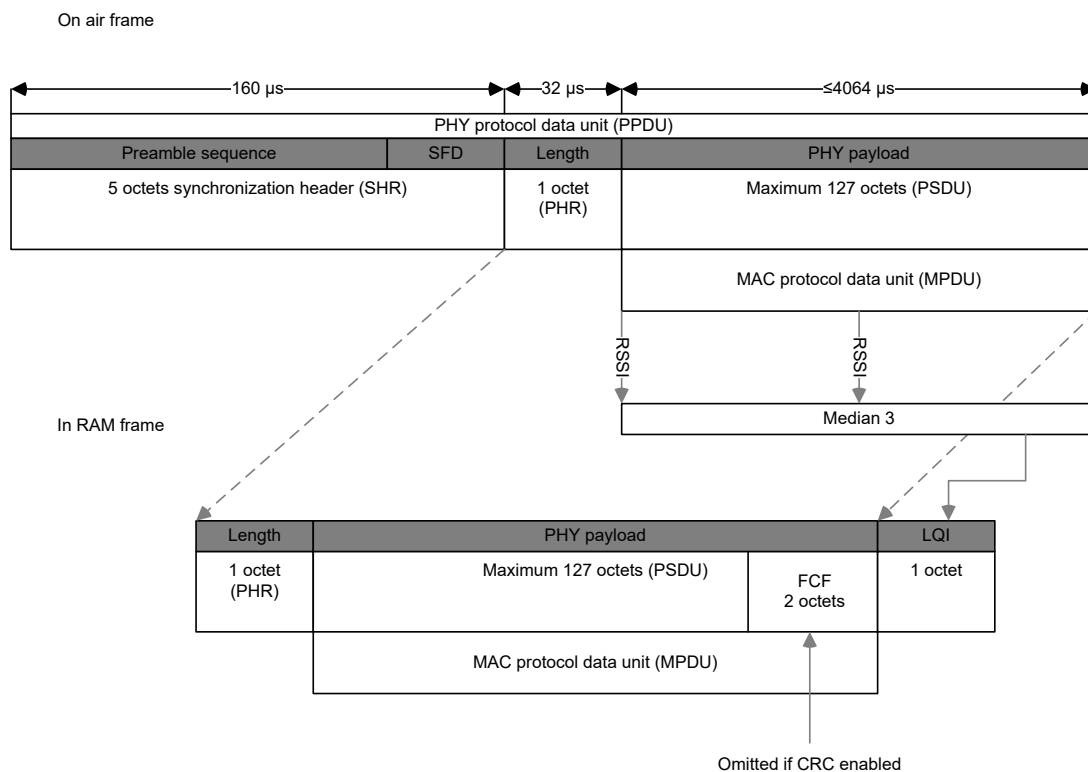


Figure 113: IEEE 802.15.4 frame in data memory

A shortcut has been added between the **FRAMESTART** event and the **BCSTART** task. This can be used to trigger a **BCMATCH** event after N bits, such as when inspecting the MAC addressing fields.

6.18.13.8 Interframe spacing (IFS)

The IEEE 802.15.4 standard defines a specific time that is allotted for the MAC sublayer to process received data. Interframe spacing (IFS) is used to prevent two frames from being transmitted too close together. If the transmission is requesting an acknowledgement, the space before the second frame shall be at least one IFS period.

The IFS is determined to be one of the following:

- IFS equals `macMinSIFSPeriod` (12 symbols) if the MPDU is less than or equal to `aMaxSIFSFrameSize` (18 octets) octets
- IFS equals `macMinLIFSPeriod` (40 symbols) if the MPDU is larger than `aMaxSIFSFrameSize`

Using the efficient assisted modes in the RADIO, the **TIFS** will be programmed with the correct value based on the frame being transmitted. If the assisted modes are not in use, the **TIFS** register must be updated manually. The following figure provides details on what IFS period is valid in both acknowledged and unacknowledged transmissions.

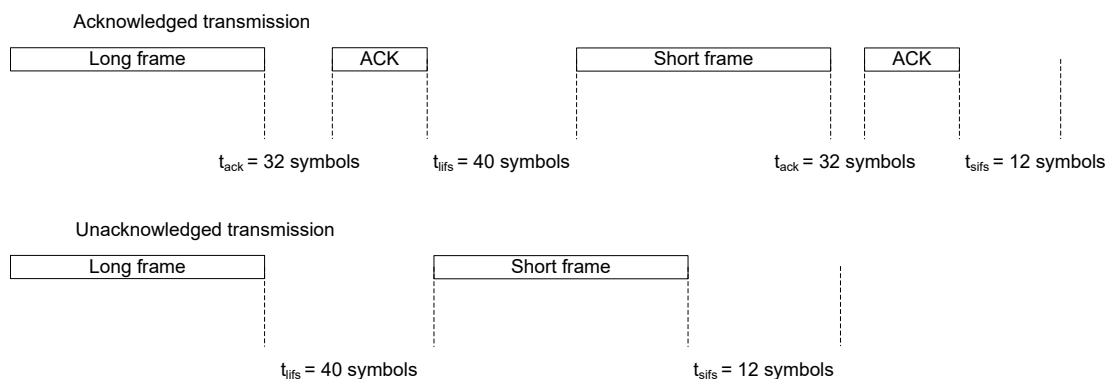


Figure 114: Interframe spacing examples

6.18.14 EasyDMA

The RADIO uses EasyDMA to read and write packets to RAM without CPU involvement.

As illustrated in [RADIO block diagram](#) on page 281, the RADIO's EasyDMA utilizes the same `PACKETPTR` for receiving and transmitting packets. This pointer should be reconfigured by the CPU each time before RADIO is started by the `START` task. The `PACKETPTR` register is double-buffered, meaning that it can be updated and prepared for the next transmission.

The `END` event indicates that the last bit has been processed by the RADIO. The `DISABLED` event is issued to acknowledge that a `DISABLE` task is done.

The structure of a packet is described in detail in [Packet configuration](#) on page 281. The data that is stored in Data RAM and transported by EasyDMA consists of the following fields:

- S0
- LENGTH
- S1
- PAYLOAD

In addition, a static add-on is sent immediately after the payload.

The size of each of the above fields in the frame is configurable (see [Packet configuration](#) on page 281), and the space occupied in RAM depends on these settings. The size of the field can be zero, as long as the resulting frame complies with the chosen RF protocol.

All fields are extended in size to align with a byte boundary in RAM. For instance, a 3-bit long field on air will occupy 1 byte in RAM while a 9-bit long field will be extended to 2 bytes.

The packet's elements can be configured as follows:

- CI, TERM1, and TERM2 fields are only present in *Bluetooth*[®] Low Energy Long Range mode
- S0 is configured through the `PCNF0.SOLEN` field
- LENGTH is configured through the `PCNF0.LFLEN` field
- S1 is configured through the `PCNF0.S1LEN` field
- Payload size is configured through the value in RAM corresponding to the LENGTH field
- Static add-on size is configured through the `PCNF1.STATLEN` field

The `PCNF1.MAXLEN` field configures the maximum packet payload plus add-on size in number of bytes that can be transmitted or received by the RADIO. This feature can be used to ensure that the RADIO does not overwrite, or read beyond, the RAM assigned to the packet payload. This means that if the LENGTH field of the packet payload exceeds `PCNF1.STATLEN`, and the LENGTH field in the packet specifies a packet larger than configured in `PCNF1.MAXLEN`, the payload will be truncated to the length specified in `PCNF1.MAXLEN`.

Note: The `PCNF1.MAXLEN` field includes the payload and the add-on, but excludes the size occupied by the `S0`, `LENGTH`, and `S1` fields. This has to be taken into account when allocating RAM.

If the payload and add-on length is specified larger than `PCNF1.MAXLEN`, the RADIO will still transmit or receive in the same way as before, except the payload is now truncated to `PCNF1.MAXLEN`. The packet's `LENGTH` field will not be altered when the payload is truncated. The RADIO will calculate CRC as if the packet length is equal to `PCNF1.MAXLEN`.

Note: If `PACKETPTR` is not pointing to the Data RAM region, an EasyDMA transfer may result in a HardFault or RAM corruption. See [Memory](#) on page 19 for more information about the different memory regions.

The `END` event indicates that the last bit has been processed by the RADIO. The `DISABLED` event is issued to acknowledge that an `DISABLE` task is done.

6.18.15 Registers

Base address	Peripheral	Instance	Description	Configuration
0x40001000	RADIO	RADIO	2.4 GHz radio	

Table 85: Instances

Register	Offset	Description
<code>TASKS_TXEN</code>	0x000	Enable RADIO in TX mode
<code>TASKS_RXEN</code>	0x004	Enable RADIO in RX mode
<code>TASKS_START</code>	0x008	Start RADIO
<code>TASKS_STOP</code>	0x00C	Stop RADIO
<code>TASKS_DISABLE</code>	0x010	Disable RADIO
<code>TASKS_RSSISTART</code>	0x014	Start the RSSI and take one single sample of the receive signal strength
<code>TASKS_RSSISTOP</code>	0x018	Stop the RSSI measurement
<code>TASKS_BCSTART</code>	0x01C	Start the bit counter
<code>TASKS_BCSTOP</code>	0x020	Stop the bit counter
<code>TASKS_EDSTART</code>	0x024	Start the energy detect measurement used in IEEE 802.15.4 mode
<code>TASKS_EDSTOP</code>	0x028	Stop the energy detect measurement
<code>TASKS_CCSTART</code>	0x02C	Start the clear channel assessment used in IEEE 802.15.4 mode
<code>TASKS_CCSTOP</code>	0x030	Stop the clear channel assessment
<code>EVENTS_READY</code>	0x100	RADIO has ramped up and is ready to be started
<code>EVENTS_ADDRESS</code>	0x104	Address sent or received
<code>EVENTS_PAYLOAD</code>	0x108	Packet payload sent or received
<code>EVENTS_END</code>	0x10C	Packet sent or received
<code>EVENTS_DISABLED</code>	0x110	RADIO has been disabled
<code>EVENTS_DEVMATCH</code>	0x114	A device address match occurred on the last received packet
<code>EVENTS_DEVMISS</code>	0x118	No device address match occurred on the last received packet
<code>EVENTS_RSSIEND</code>	0x11C	Sampling of receive signal strength complete
<code>EVENTS_BCMATCH</code>	0x128	Bit counter reached bit count value
<code>EVENTS_CRCOK</code>	0x130	Packet received with CRC ok
<code>EVENTS_CRCERROR</code>	0x134	Packet received with CRC error
<code>EVENTS_FRAMESTART</code>	0x138	IEEE 802.15.4 length field received
<code>EVENTS_EDEND</code>	0x13C	Sampling of energy detection complete. A new ED sample is ready for readout from the <code>RADIO.EDSAMPLE</code> register.
<code>EVENTS_EDSTOPPED</code>	0x140	The sampling of energy detection has stopped
<code>EVENTS_CCAIDLE</code>	0x144	Wireless medium in idle - clear to send
<code>EVENTS_CCABUSY</code>	0x148	Wireless medium busy - do not send

Register	Offset	Description
EVENTS_CCASTOPPED	0x14C	The CCA has stopped
EVENTS_RATEBOOST	0x150	Ble_LR CI field received, receive mode is changed from Ble_LR125Kbit to Ble_LR500Kbit.
EVENTS_TXREADY	0x154	RADIO has ramped up and is ready to be started TX path
EVENTS_RXREADY	0x158	RADIO has ramped up and is ready to be started RX path
EVENTS_MHRMATCH	0x15C	MAC header match found
EVENTS_SYNC	0x168	Preamble indicator
EVENTS_PHYEND	0x16C	Generated when last bit is sent on air, or received from air
EVENTS_CTEPRESENT	0x170	CTE is present (early warning right after receiving CTEInfo byte)
SHORTS	0x200	Shortcuts between local events and tasks
INTENSET	0x304	Enable interrupt
INTENCLR	0x308	Disable interrupt
CRCSTATUS	0x400	CRC status
RXMATCH	0x408	Received address
RXCRC	0x40C	CRC field of previously received packet
DAI	0x410	Device address match index
PDUSTAT	0x414	Payload status
CTESTATUS	0x44C	CTEInfo parsed from received packet
DFESTATUS	0x458	DFE status information
PACKETPTR	0x504	Packet pointer
FREQUENCY	0x508	Frequency
TXPOWER	0x50C	Output power
MODE	0x510	Data rate and modulation
PCNF0	0x514	Packet configuration register 0
PCNF1	0x518	Packet configuration register 1
BASE0	0x51C	Base address 0
BASE1	0x520	Base address 1
PREFIX0	0x524	Prefixes bytes for logical addresses 0-3
PREFIX1	0x528	Prefixes bytes for logical addresses 4-7
TXADDRESS	0x52C	Transmit address select
RXADDRESSES	0x530	Receive address select
CRC CNF	0x534	CRC configuration
CRC POLY	0x538	CRC polynomial
CRC INIT	0x53C	CRC initial value
TIFS	0x544	Interframe spacing in μ s
RSSISAMPLE	0x548	RSSI sample
STATE	0x550	Current radio state
DATAWHITEIV	0x554	Data whitening initial value
BCC	0x560	Bit counter compare
DAB[n]	0x600	Device address base segment n
DAP[n]	0x620	Device address prefix n
DACNF	0x640	Device address match configuration
MHRMATCHCONF	0x644	Search pattern configuration
MHRMATCHMAS	0x648	Pattern mask
MODECNF0	0x650	Radio mode configuration register 0
SFD	0x660	IEEE 802.15.4 start of frame delimiter
EDCNT	0x664	IEEE 802.15.4 energy detect loop count
EDSAMPLE	0x668	IEEE 802.15.4 energy detect level
CCACTRL	0x66C	IEEE 802.15.4 clear channel assessment control
DFEMODE	0x900	Whether to use Angle-of-Arrival (AOA) or Angle-of-Departure (AOD)
CTEINLINECONF	0x904	Configuration for CTE inline mode
DFCTRL1	0x910	Various configuration for Direction finding
DFCTRL2	0x914	Start offset for Direction finding
SWITCHPATTERN	0x928	GPIO patterns to be used for each antenna

Register	Offset	Description
CLEARPATTERN	0x92C	Clear the GPIO pattern array for antenna control
PSEL.DFEGPIO[0]	0x930	Pin select for DFE pin 0
PSEL.DFEGPIO[1]	0x934	Pin select for DFE pin 1
PSEL.DFEGPIO[2]	0x938	Pin select for DFE pin 2
PSEL.DFEGPIO[3]	0x93C	Pin select for DFE pin 3
PSEL.DFEGPIO[4]	0x940	Pin select for DFE pin 4
PSEL.DFEGPIO[5]	0x944	Pin select for DFE pin 5
PSEL.DFEGPIO[6]	0x948	Pin select for DFE pin 6
PSEL.DFEGPIO[7]	0x94C	Pin select for DFE pin 7
DFEPACKET.PTR	0x950	Data pointer
DFEPACKET.MAXCNT	0x954	Maximum number of buffer words to transfer
DFEPACKET.AMOUNT	0x958	Number of samples transferred in the last transaction
POWER	0xFFC	Peripheral power control

Table 86: Register overview

6.18.15.1 TASKS_TXEN

Address offset: 0x000

Enable RADIO in TX mode

Bit number	31 30 29 28 27 26 25 24 23 22 21 20 19 18 17 16 15 14 13 12 11 10 9 8 7 6 5 4 3 2 1 0																														
ID	A																														
Reset 0x00000000	0 0																														
ID	Acce Field	Value ID	Value	Description																											
A	W TASKS_TXEN	Trigger	1	Enable RADIO in TX mode Trigger task																											

6.18.15.2 TASKS_RXEN

Address offset: 0x004

Enable RADIO in RX mode

Bit number	31 30 29 28 27 26 25 24 23 22 21 20 19 18 17 16 15 14 13 12 11 10 9 8 7 6 5 4 3 2 1 0																														
ID	A																														
Reset 0x00000000	0 0																														
ID	Acce Field	Value ID	Value	Description																											
A	W TASKS_RXEN	Trigger	1	Enable RADIO in RX mode Trigger task																											

6.18.15.3 TASKS_START

Address offset: 0x008

Start RADIO

Bit number	31 30 29 28 27 26 25 24 23 22 21 20 19 18 17 16 15 14 13 12 11 10 9 8 7 6 5 4 3 2 1 0																														
ID	A																														
Reset 0x00000000	0 0																														
ID	Acce Field	Value ID	Value	Description																											
A	W TASKS_START	Trigger	1	Start RADIO Trigger task																											

6.18.15.4 TASKS_STOP

Address offset: 0x00C

Stop RADIO

Bit number	31 30 29 28 27 26 25 24 23 22 21 20 19 18 17 16 15 14 13 12 11 10 9 8 7 6 5 4 3 2 1 0																														
ID	A																														
Reset 0x00000000	0 0																														
ID	Acce Field	Value ID	Value	Description																											
A	W TASKS_STOP			Stop RADIO																											
		Trigger	1	Trigger task																											

6.18.15.5 TASKS_DISABLE

Address offset: 0x010

Disable RADIO

Bit number	31 30 29 28 27 26 25 24 23 22 21 20 19 18 17 16 15 14 13 12 11 10 9 8 7 6 5 4 3 2 1 0																														
ID	A																														
Reset 0x00000000	0 0																														
ID	Acce Field	Value ID	Value	Description																											
A	W TASKS_DISABLE			Disable RADIO																											
		Trigger	1	Trigger task																											

6.18.15.6 TASKS_RSSISTART

Address offset: 0x014

Start the RSSI and take one single sample of the receive signal strength

Bit number	31 30 29 28 27 26 25 24 23 22 21 20 19 18 17 16 15 14 13 12 11 10 9 8 7 6 5 4 3 2 1 0																														
ID	A																														
Reset 0x00000000	0 0																														
ID	Acce Field	Value ID	Value	Description																											
A	W TASKS_RSSISTART			Start the RSSI and take one single sample of the receive signal strength																											
		Trigger	1	Trigger task																											

6.18.15.7 TASKS_RSSISTOP

Address offset: 0x018

Stop the RSSI measurement

Bit number	31 30 29 28 27 26 25 24 23 22 21 20 19 18 17 16 15 14 13 12 11 10 9 8 7 6 5 4 3 2 1 0																														
ID	A																														
Reset 0x00000000	0 0																														
ID	Acce Field	Value ID	Value	Description																											
A	W TASKS_RSSISTOP			Stop the RSSI measurement																											
		Trigger	1	Trigger task																											

6.18.15.8 TASKS_BCSTART

Address offset: 0x01C

Start the bit counter

Bit number	31	30	29	28	27	26	25	24	23	22	21	20	19	18	17	16	15	14	13	12	11	10	9	8	7	6	5	4	3	2	1	0
ID																																A
Reset 0x00000000	0 0																															
ID	Acce Field	Value ID	Value	Description																												
A	W TASKS_BCSTART			Start the bit counter																												
		Trigger	1	Trigger task																												

6.18.15.9 TASKS_BCSTOP

Address offset: 0x020

Stop the bit counter

Bit number	31	30	29	28	27	26	25	24	23	22	21	20	19	18	17	16	15	14	13	12	11	10	9	8	7	6	5	4	3	2	1	0
ID																																A
Reset 0x00000000	0 0																															
ID	Acce Field	Value ID	Value	Description																												
A	W TASKS_BCSTOP			Stop the bit counter																												
		Trigger	1	Trigger task																												

6.18.15.10 TASKS_EDSTART

Address offset: 0x024

Start the energy detect measurement used in IEEE 802.15.4 mode

Bit number	31	30	29	28	27	26	25	24	23	22	21	20	19	18	17	16	15	14	13	12	11	10	9	8	7	6	5	4	3	2	1	0
ID																																A
Reset 0x00000000	0 0																															
ID	Acce Field	Value ID	Value	Description																												
A	W TASKS_EDSTART			Start the energy detect measurement used in IEEE 802.15.4 mode																												
		Trigger	1	Trigger task																												

6.18.15.11 TASKS_EDSTOP

Address offset: 0x028

Stop the energy detect measurement

Bit number	31	30	29	28	27	26	25	24	23	22	21	20	19	18	17	16	15	14	13	12	11	10	9	8	7	6	5	4	3	2	1	0
ID																																A
Reset 0x00000000	0 0																															
ID	Acce Field	Value ID	Value	Description																												
A	W TASKS_EDSTOP			Stop the energy detect measurement																												
		Trigger	1	Trigger task																												

6.18.15.12 TASKS_CCSTART

Address offset: 0x02C

Start the clear channel assessment used in IEEE 802.15.4 mode

Bit number	31	30	29	28	27	26	25	24	23	22	21	20	19	18	17	16	15	14	13	12	11	10	9	8	7	6	5	4	3	2	1	0
ID																																A
Reset 0x00000000	0 0																															
ID	Acce Field	Value ID	Value	Description																												
A	W	TASKS_CCSTART		Start the clear channel assessment used in IEEE 802.15.4 mode																												
		Trigger	1	Trigger task																												

6.18.15.13 TASKS_CCSTOP

Address offset: 0x030

Stop the clear channel assessment

Bit number	31	30	29	28	27	26	25	24	23	22	21	20	19	18	17	16	15	14	13	12	11	10	9	8	7	6	5	4	3	2	1	0
ID																																A
Reset 0x00000000	0 0																															
ID	Acce Field	Value ID	Value	Description																												
A	W	TASKS_CCSTOP		Stop the clear channel assessment																												
		Trigger	1	Trigger task																												

6.18.15.14 EVENTS_READY

Address offset: 0x100

RADIO has ramped up and is ready to be started

Bit number	31	30	29	28	27	26	25	24	23	22	21	20	19	18	17	16	15	14	13	12	11	10	9	8	7	6	5	4	3	2	1	0
ID																																A
Reset 0x00000000	0 0																															
ID	Acce Field	Value ID	Value	Description																												
A	RW	EVENTS_READY		RADIO has ramped up and is ready to be started																												
		NotGenerated	0	Event not generated																												
		Generated	1	Event generated																												

6.18.15.15 EVENTS_ADDRESS

Address offset: 0x104

Address sent or received

Bit number	31	30	29	28	27	26	25	24	23	22	21	20	19	18	17	16	15	14	13	12	11	10	9	8	7	6	5	4	3	2	1	0
ID																																A
Reset 0x00000000	0 0																															
ID	Acce Field	Value ID	Value	Description																												
A	RW	EVENTS_ADDRESS		Address sent or received																												
		NotGenerated	0	Event not generated																												
		Generated	1	Event generated																												

6.18.15.16 EVENTS_PAYLOAD

Address offset: 0x108

Packet payload sent or received

Bit number	31 30 29 28 27 26 25 24 23 22 21 20 19 18 17 16 15 14 13 12 11 10 9 8 7 6 5 4 3 2 1 0																														
ID	A																														
Reset 0x00000000	0 0																														
ID	Acce Field	Value ID	Value	Description																											
A	RW	EVENTS_PAYLOAD		Packet payload sent or received																											
		NotGenerated	0	Event not generated																											
		Generated	1	Event generated																											

6.18.15.17 EVENTS_END

Address offset: 0x10C

Packet sent or received

Bit number	31 30 29 28 27 26 25 24 23 22 21 20 19 18 17 16 15 14 13 12 11 10 9 8 7 6 5 4 3 2 1 0																														
ID	A																														
Reset 0x00000000	0 0																														
ID	Acce Field	Value ID	Value	Description																											
A	RW	EVENTS_END		Packet sent or received																											
		NotGenerated	0	Event not generated																											
		Generated	1	Event generated																											

6.18.15.18 EVENTS_DISABLED

Address offset: 0x110

RADIO has been disabled

Bit number	31 30 29 28 27 26 25 24 23 22 21 20 19 18 17 16 15 14 13 12 11 10 9 8 7 6 5 4 3 2 1 0																														
ID	A																														
Reset 0x00000000	0 0																														
ID	Acce Field	Value ID	Value	Description																											
A	RW	EVENTS_DISABLED		RADIO has been disabled																											
		NotGenerated	0	Event not generated																											
		Generated	1	Event generated																											

6.18.15.19 EVENTS_DEVMATCH

Address offset: 0x114

A device address match occurred on the last received packet

Bit number	31	30	29	28	27	26	25	24	23	22	21	20	19	18	17	16	15	14	13	12	11	10	9	8	7	6	5	4	3	2	1	0
ID																																A
Reset	0x00000000																															
Reset	0	0	0	0	0	0	0	0	0	0	0	0	0	0	0	0	0	0	0	0	0	0	0	0	0	0	0	0	0	0	0	0
ID	Acce Field	Value ID	Value	Description																												
A	RW	EVENTS_DEVMATCH		A device address match occurred on the last received packet																												
		NotGenerated	0	Event not generated																												
		Generated	1	Event generated																												

6.18.15.20 EVENTS_DEVMISS

Address offset: 0x118

No device address match occurred on the last received packet

Bit number	31	30	29	28	27	26	25	24	23	22	21	20	19	18	17	16	15	14	13	12	11	10	9	8	7	6	5	4	3	2	1	0
ID																																A
Reset	0x00000000																															
Reset	0	0	0	0	0	0	0	0	0	0	0	0	0	0	0	0	0	0	0	0	0	0	0	0	0	0	0	0	0	0	0	
ID	Acce Field	Value ID	Value	Description																												
A	RW	EVENTS_DEVMISS		No device address match occurred on the last received packet																												
		NotGenerated	0	Event not generated																												
		Generated	1	Event generated																												

6.18.15.21 EVENTS_RSSIEND

Address offset: 0x11C

Sampling of receive signal strength complete

A new RSSI sample is ready for readout from the RADIO.RSSISAMPLE register

Bit number	31	30	29	28	27	26	25	24	23	22	21	20	19	18	17	16	15	14	13	12	11	10	9	8	7	6	5	4	3	2	1	0
ID																																A
Reset	0x00000000																															
Reset	0	0	0	0	0	0	0	0	0	0	0	0	0	0	0	0	0	0	0	0	0	0	0	0	0	0	0	0	0	0	0	
ID	Acce Field	Value ID	Value	Description																												
A	RW	EVENTS_RSSIEND		Sampling of receive signal strength complete																												
				A new RSSI sample is ready for readout from the RADIO.RSSISAMPLE register																												
		NotGenerated	0	Event not generated																												
		Generated	1	Event generated																												

6.18.15.22 EVENTS_BCMATCH

Address offset: 0x128

Bit counter reached bit count value

Bit counter value is specified in the RADIO.BCC register

Bit number	31	30	29	28	27	26	25	24	23	22	21	20	19	18	17	16	15	14	13	12	11	10	9	8	7	6	5	4	3	2	1	0
ID																																A
Reset 0x00000000	0 0																															
ID	Acce Field	Value ID	Value	Description																												
A	RW	EVENTS_BCMATCH		Bit counter reached bit count value																												
		NotGenerated	0	Bit counter value is specified in the RADIO.BCC register Event not generated																												
		Generated	1	Event generated																												

6.18.15.23 EVENTS_CRCOK

Address offset: 0x130

Packet received with CRC ok

Bit number	31	30	29	28	27	26	25	24	23	22	21	20	19	18	17	16	15	14	13	12	11	10	9	8	7	6	5	4	3	2	1	0
ID																																A
Reset 0x00000000	0 0																															
ID	Acce Field	Value ID	Value	Description																												
A	RW	EVENTS_CRCOK		Packet received with CRC ok																												
		NotGenerated	0	Event not generated																												
		Generated	1	Event generated																												

6.18.15.24 EVENTS_CRCERROR

Address offset: 0x134

Packet received with CRC error

Bit number	31	30	29	28	27	26	25	24	23	22	21	20	19	18	17	16	15	14	13	12	11	10	9	8	7	6	5	4	3	2	1	0
ID																																A
Reset 0x00000000	0 0																															
ID	Acce Field	Value ID	Value	Description																												
A	RW	EVENTS_CRCERROR		Packet received with CRC error																												
		NotGenerated	0	Event not generated																												
		Generated	1	Event generated																												

6.18.15.25 EVENTS_FRAMESTART

Address offset: 0x138

IEEE 802.15.4 length field received

Bit number	31	30	29	28	27	26	25	24	23	22	21	20	19	18	17	16	15	14	13	12	11	10	9	8	7	6	5	4	3	2	1	0
ID																																A
Reset 0x00000000	0 0																															
ID	Acce Field	Value ID	Value	Description																												
A	RW	EVENTS_FRAMESTART		IEEE 802.15.4 length field received																												
		NotGenerated	0	Event not generated																												
		Generated	1	Event generated																												

6.18.15.26 EVENTS_EDEND

Address offset: 0x13C

Sampling of energy detection complete. A new ED sample is ready for readout from the RADIO.EDSAMPLE register.

Bit number	31 30 29 28 27 26 25 24 23 22 21 20 19 18 17 16 15 14 13 12 11 10 9 8 7 6 5 4 3 2 1 0																														
ID	A																														
Reset 0x00000000	0 0																														
ID	Acce Field	Value ID	Value	Description																											
A	RW	EVENTS_EDEND		Sampling of energy detection complete. A new ED sample is ready for readout from the RADIO.EDSAMPLE register.																											
		NotGenerated	0	Event not generated																											
		Generated	1	Event generated																											

6.18.15.27 EVENTS_EDSTOPPED

Address offset: 0x140

The sampling of energy detection has stopped

Bit number	31 30 29 28 27 26 25 24 23 22 21 20 19 18 17 16 15 14 13 12 11 10 9 8 7 6 5 4 3 2 1 0																														
ID	A																														
Reset 0x00000000	0 0																														
ID	Acce Field	Value ID	Value	Description																											
A	RW	EVENTS_EDSTOPPED		The sampling of energy detection has stopped																											
		NotGenerated	0	Event not generated																											
		Generated	1	Event generated																											

6.18.15.28 EVENTS_CCAIDLE

Address offset: 0x144

Wireless medium in idle - clear to send

Bit number	31 30 29 28 27 26 25 24 23 22 21 20 19 18 17 16 15 14 13 12 11 10 9 8 7 6 5 4 3 2 1 0																														
ID	A																														
Reset 0x00000000	0 0																														
ID	Acce Field	Value ID	Value	Description																											
A	RW	EVENTS_CCAIDLE		Wireless medium in idle - clear to send																											
		NotGenerated	0	Event not generated																											
		Generated	1	Event generated																											

6.18.15.29 EVENTS_CCABUSY

Address offset: 0x148

Wireless medium busy - do not send

Bit number	31 30 29 28 27 26 25 24 23 22 21 20 19 18 17 16 15 14 13 12 11 10 9 8 7 6 5 4 3 2 1 0																														
ID	A																														
Reset 0x00000000	0 0																														
ID	Acce Field	Value ID	Value	Description																											
A	RW	EVENTS_CCABUSY		Wireless medium busy - do not send																											
		NotGenerated	0	Event not generated																											
		Generated	1	Event generated																											

6.18.15.30 EVENTS_CCSTOPPED

Address offset: 0x14C

The CCA has stopped

Bit number	31	30	29	28	27	26	25	24	23	22	21	20	19	18	17	16	15	14	13	12	11	10	9	8	7	6	5	4	3	2	1	0
ID																																A
Reset 0x00000000	0 0																															
ID	Acce Field	Value ID	Value	Description																												
A	RW	EVENTS_CCSTOPPED		The CCA has stopped																												
		NotGenerated	0	Event not generated																												
		Generated	1	Event generated																												

6.18.15.31 EVENTS_RATEBOOST

Address offset: 0x150

Ble_LR CI field received, receive mode is changed from Ble_LR125Kbit to Ble_LR500Kbit.

Bit number	31	30	29	28	27	26	25	24	23	22	21	20	19	18	17	16	15	14	13	12	11	10	9	8	7	6	5	4	3	2	1	0
ID																																A
Reset 0x00000000	0 0																															
ID	Acce Field	Value ID	Value	Description																												
A	RW	EVENTS_RATEBOOST		Ble_LR CI field received, receive mode is changed from Ble_LR125Kbit to Ble_LR500Kbit.																												
		NotGenerated	0	Event not generated																												
		Generated	1	Event generated																												

6.18.15.32 EVENTS_TXREADY

Address offset: 0x154

RADIO has ramped up and is ready to be started TX path

Bit number	31	30	29	28	27	26	25	24	23	22	21	20	19	18	17	16	15	14	13	12	11	10	9	8	7	6	5	4	3	2	1	0
ID																																A
Reset 0x00000000	0 0																															
ID	Acce Field	Value ID	Value	Description																												
A	RW	EVENTS_TXREADY		RADIO has ramped up and is ready to be started TX path																												
		NotGenerated	0	Event not generated																												
		Generated	1	Event generated																												

6.18.15.33 EVENTS_RXREADY

Address offset: 0x158

RADIO has ramped up and is ready to be started RX path

Bit number	31	30	29	28	27	26	25	24	23	22	21	20	19	18	17	16	15	14	13	12	11	10	9	8	7	6	5	4	3	2	1	0
ID																																A
Reset	0x00000000																															
	0 0																															
ID	Acce Field	Value ID	Value	Description																												
A	RW EVENTS_RXREADY			RADIO has ramped up and is ready to be started RX path																												
		NotGenerated	0	Event not generated																												
		Generated	1	Event generated																												

6.18.15.34 EVENTS_MHRMATCH

Address offset: 0x15C

MAC header match found

Bit number	31	30	29	28	27	26	25	24	23	22	21	20	19	18	17	16	15	14	13	12	11	10	9	8	7	6	5	4	3	2	1	0
ID																																A
Reset	0x00000000																															
	0 0																															
ID	Acce Field	Value ID	Value	Description																												
A	RW EVENTS_MHRMATCH			MAC header match found																												
		NotGenerated	0	Event not generated																												
		Generated	1	Event generated																												

6.18.15.35 EVENTS_SYNC

Address offset: 0x168

Preamble indicator

A possible preamble has been received in Ble_LR125Kbit, Ble_LR500Kbit, or leee802154_250Kbit modes during an RX transaction. False triggering of the event is possible.

Bit number	31	30	29	28	27	26	25	24	23	22	21	20	19	18	17	16	15	14	13	12	11	10	9	8	7	6	5	4	3	2	1	0
ID																																A
Reset	0x00000000																															
	0 0																															
ID	Acce Field	Value ID	Value	Description																												
A	RW EVENTS_SYNC			Preamble indicator																												
				A possible preamble has been received in Ble_LR125Kbit, Ble_LR500Kbit, or leee802154_250Kbit modes during an RX transaction. False triggering of the event is possible.																												
		NotGenerated	0	Event not generated																												
		Generated	1	Event generated																												

6.18.15.36 EVENTS_PHYEND

Address offset: 0x16C

Generated when last bit is sent on air, or received from air

Bit number	31	30	29	28	27	26	25	24	23	22	21	20	19	18	17	16	15	14	13	12	11	10	9	8	7	6	5	4	3	2	1	0
ID																																A
Reset 0x00000000	0 0																															
ID	Acce Field	Value ID	Value	Description																												
A	RW EVENTS_PHYEND			Generated when last bit is sent on air, or received from air																												
		NotGenerated	0	Event not generated																												
		Generated	1	Event generated																												

6.18.15.37 EVENTS_CTEPRESENT

Address offset: 0x170

CTE is present (early warning right after receiving CTEInfo byte)

Bit number	31	30	29	28	27	26	25	24	23	22	21	20	19	18	17	16	15	14	13	12	11	10	9	8	7	6	5	4	3	2	1	0
ID																																A
Reset 0x00000000	0 0																															
ID	Acce Field	Value ID	Value	Description																												
A	RW EVENTS_CTEPRESENT			CTE is present (early warning right after receiving CTEInfo byte)																												
		NotGenerated	0	Event not generated																												
		Generated	1	Event generated																												

6.18.15.38 SHORTS

Address offset: 0x200

Shortcuts between local events and tasks

Bit number	31	30	29	28	27	26	25	24	23	22	21	20	19	18	17	16	15	14	13	12	11	10	9	8	7	6	5	4	3	2	1	0					
ID																U	T	S	R	Q	P	O	N	M	L	K											
Reset 0x00000000	0 0																																				
ID	Acce Field	Value ID	Value	Description																																	
A	RW READY_START			Shortcut between event READY and task START																																	
		Disabled	0	Disable shortcut																																	
		Enabled	1	Enable shortcut																																	
B	RW END_DISABLE			Shortcut between event END and task DISABLE																																	
		Disabled	0	Disable shortcut																																	
		Enabled	1	Enable shortcut																																	
C	RW DISABLED_TXEN			Shortcut between event DISABLED and task TXEN																																	
		Disabled	0	Disable shortcut																																	
		Enabled	1	Enable shortcut																																	
D	RW DISABLED_RXEN			Shortcut between event DISABLED and task RXEN																																	
		Disabled	0	Disable shortcut																																	
		Enabled	1	Enable shortcut																																	
E	RW ADDRESS_RSSISTART			Shortcut between event ADDRESS and task RSSISTART																																	
		Disabled	0	Disable shortcut																																	
		Enabled	1	Enable shortcut																																	
F	RW END_START			Shortcut between event END and task START																																	
		Disabled	0	Disable shortcut																																	
		Enabled	1	Enable shortcut																																	
G	RW ADDRESS_BCSTART			Shortcut between event ADDRESS and task BCSTART																																	
		Disabled	0	Disable shortcut																																	
		Enabled	1	Enable shortcut																																	
H	RW DISABLED_RSSISTOP			Shortcut between event DISABLED and task RSSISTOP																																	

Bit number	31 30 29 28 27 26 25 24 23 22 21 20 19 18 17 16 15 14 13 12 11 10 9 8 7 6 5 4 3 2 1 0																														
ID	U T S R Q P O N M L K H G F E D C B A																														
Reset 0x00000000	0 0																														
ID	Acce	Field	Value ID	Value	Description																										
			Disabled	0	Disable shortcut																										
			Enabled	1	Enable shortcut																										
K	RW	RXREADY_CCASTART			Shortcut between event RXREADY and task CCASTART																										
			Disabled	0	Disable shortcut																										
			Enabled	1	Enable shortcut																										
L	RW	CCAIDLE_TXEN			Shortcut between event CCAIDLE and task TXEN																										
			Disabled	0	Disable shortcut																										
			Enabled	1	Enable shortcut																										
M	RW	CCABUSY_DISABLE			Shortcut between event CCABUSY and task DISABLE																										
			Disabled	0	Disable shortcut																										
			Enabled	1	Enable shortcut																										
N	RW	FRAMESTART_BCSTART			Shortcut between event FRAMESTART and task BCSTART																										
			Disabled	0	Disable shortcut																										
			Enabled	1	Enable shortcut																										
O	RW	READY_EDSTART			Shortcut between event READY and task EDSTART																										
			Disabled	0	Disable shortcut																										
			Enabled	1	Enable shortcut																										
P	RW	EDEND_DISABLE			Shortcut between event EDEND and task DISABLE																										
			Disabled	0	Disable shortcut																										
			Enabled	1	Enable shortcut																										
Q	RW	CCAIDLE_STOP			Shortcut between event CCAIDLE and task STOP																										
			Disabled	0	Disable shortcut																										
			Enabled	1	Enable shortcut																										
R	RW	TXREADY_START			Shortcut between event TXREADY and task START																										
			Disabled	0	Disable shortcut																										
			Enabled	1	Enable shortcut																										
S	RW	RXREADY_START			Shortcut between event RXREADY and task START																										
			Disabled	0	Disable shortcut																										
			Enabled	1	Enable shortcut																										
T	RW	PHYEND_DISABLE			Shortcut between event PHYEND and task DISABLE																										
			Disabled	0	Disable shortcut																										
			Enabled	1	Enable shortcut																										
U	RW	PHYEND_START			Shortcut between event PHYEND and task START																										
			Disabled	0	Disable shortcut																										
			Enabled	1	Enable shortcut																										

6.18.15.39 INTENSET

Address offset: 0x304

Enable interrupt

Bit number	31 30 29 28 27 26 25 24 23 22 21 20 19 18 17 16 15 14 13 12 11 10 9 8 7 6 5 4 3 2 1 0																														
ID	a Z Y V U T S R Q P O N M L K I H G F E D C B A																														
Reset 0x00000000	0 0																														
ID	Acce	Field	Value ID	Value	Description																										
A	RW	READY			Write '1' to enable interrupt for event READY																										
			Set	1	Enable																										
			Disabled	0	Read: Disabled																										
			Enabled	1	Read: Enabled																										

Bit number	31 30 29 28 27 26 25 24 23 22 21 20 19 18 17 16 15 14 13 12 11 10 9 8 7 6 5 4 3 2 1 0																														
ID	a Z Y V U T S R Q P O N M L K I H G F E D C B A																														
Reset 0x00000000	0 0																														
ID	Acce Field	Value ID	Value	Description																											
B	RW ADDRESS			Write '1' to enable interrupt for event ADDRESS																											
		Set	1	Enable																											
		Disabled	0	Read: Disabled																											
		Enabled	1	Read: Enabled																											
C	RW PAYLOAD			Write '1' to enable interrupt for event PAYLOAD																											
		Set	1	Enable																											
		Disabled	0	Read: Disabled																											
		Enabled	1	Read: Enabled																											
D	RW END			Write '1' to enable interrupt for event END																											
		Set	1	Enable																											
		Disabled	0	Read: Disabled																											
		Enabled	1	Read: Enabled																											
E	RW DISABLED			Write '1' to enable interrupt for event DISABLED																											
		Set	1	Enable																											
		Disabled	0	Read: Disabled																											
		Enabled	1	Read: Enabled																											
F	RW DEVMATCH			Write '1' to enable interrupt for event DEVMATCH																											
		Set	1	Enable																											
		Disabled	0	Read: Disabled																											
		Enabled	1	Read: Enabled																											
G	RW DEVMISS			Write '1' to enable interrupt for event DEVMISS																											
		Set	1	Enable																											
		Disabled	0	Read: Disabled																											
		Enabled	1	Read: Enabled																											
H	RW RSSIEND			Write '1' to enable interrupt for event RSSIEND																											
				A new RSSI sample is ready for readout from the RADIO.RSSISAMPLE register																											
		Set	1	Enable																											
		Disabled	0	Read: Disabled																											
		Enabled	1	Read: Enabled																											
I	RW BCMATCH			Write '1' to enable interrupt for event BCMATCH																											
				Bit counter value is specified in the RADIO.BCC register																											
		Set	1	Enable																											
		Disabled	0	Read: Disabled																											
		Enabled	1	Read: Enabled																											
K	RW CRCOK			Write '1' to enable interrupt for event CRCOK																											
		Set	1	Enable																											
		Disabled	0	Read: Disabled																											
		Enabled	1	Read: Enabled																											
L	RW CRCERROR			Write '1' to enable interrupt for event CRCERROR																											
		Set	1	Enable																											
		Disabled	0	Read: Disabled																											
		Enabled	1	Read: Enabled																											
M	RW FRAMESTART			Write '1' to enable interrupt for event FRAMESTART																											
		Set	1	Enable																											
		Disabled	0	Read: Disabled																											
		Enabled	1	Read: Enabled																											
N	RW EDEND			Write '1' to enable interrupt for event EDEND																											
		Set	1	Enable																											
		Disabled	0	Read: Disabled																											

Bit number	31 30 29 28 27 26 25 24 23 22 21 20 19 18 17 16 15 14 13 12 11 10 9 8 7 6 5 4 3 2 1 0																														
ID	a Z Y V U T S R Q P O N M L K I H G F E D C B A																														
Reset 0x00000000	0 0																														
ID	Acce Field	Value ID	Value	Description																											
		Enabled	1	Read: Enabled																											
O	RW EDSTOPPED			Write '1' to enable interrupt for event EDSTOPPED																											
		Set	1	Enable																											
		Disabled	0	Read: Disabled																											
		Enabled	1	Read: Enabled																											
P	RW CCAIDLE			Write '1' to enable interrupt for event CCAIDLE																											
		Set	1	Enable																											
		Disabled	0	Read: Disabled																											
		Enabled	1	Read: Enabled																											
Q	RW CCABUSY			Write '1' to enable interrupt for event CCABUSY																											
		Set	1	Enable																											
		Disabled	0	Read: Disabled																											
		Enabled	1	Read: Enabled																											
R	RW CCASTOPPED			Write '1' to enable interrupt for event CCASTOPPED																											
		Set	1	Enable																											
		Disabled	0	Read: Disabled																											
		Enabled	1	Read: Enabled																											
S	RW RATEBOOST			Write '1' to enable interrupt for event RATEBOOST																											
		Set	1	Enable																											
		Disabled	0	Read: Disabled																											
		Enabled	1	Read: Enabled																											
T	RW TXREADY			Write '1' to enable interrupt for event TXREADY																											
		Set	1	Enable																											
		Disabled	0	Read: Disabled																											
		Enabled	1	Read: Enabled																											
U	RW RXREADY			Write '1' to enable interrupt for event RXREADY																											
		Set	1	Enable																											
		Disabled	0	Read: Disabled																											
		Enabled	1	Read: Enabled																											
V	RW MHRMATCH			Write '1' to enable interrupt for event MHRMATCH																											
		Set	1	Enable																											
		Disabled	0	Read: Disabled																											
		Enabled	1	Read: Enabled																											
Y	RW SYNC			Write '1' to enable interrupt for event SYNC																											
				A possible preamble has been received in Ble_LR125Kbit, Ble_LR500Kbit, or leee802154_250Kbit modes during an RX transaction. False triggering of the event is possible.																											
		Set	1	Enable																											
		Disabled	0	Read: Disabled																											
Z	RW PHYEND			Write '1' to enable interrupt for event PHYEND																											
		Set	1	Enable																											
		Disabled	0	Read: Disabled																											
		Enabled	1	Read: Enabled																											
a	RW CTEPRESENT			Write '1' to enable interrupt for event CTEPRESENT																											
		Set	1	Enable																											
		Disabled	0	Read: Disabled																											
		Enabled	1	Read: Enabled																											

6.18.15.40 INTENCLR

Address offset: 0x308

Disable interrupt

Bit number	31 30 29 28 27 26 25 24 23 22 21 20 19 18 17 16 15 14 13 12 11 10 9 8 7 6 5 4 3 2 1 0																														
ID	a Z Y V U T S R Q P O N M L K I H G F E D C B A																														
Reset 0x00000000	0 0																														
ID	Acce Field	Value ID	Value	Description																											
A	RW READY			Write '1' to disable interrupt for event READY																											
		Clear	1	Disable																											
		Disabled	0	Read: Disabled																											
		Enabled	1	Read: Enabled																											
B	RW ADDRESS			Write '1' to disable interrupt for event ADDRESS																											
		Clear	1	Disable																											
		Disabled	0	Read: Disabled																											
		Enabled	1	Read: Enabled																											
C	RW PAYLOAD			Write '1' to disable interrupt for event PAYLOAD																											
		Clear	1	Disable																											
		Disabled	0	Read: Disabled																											
		Enabled	1	Read: Enabled																											
D	RW END			Write '1' to disable interrupt for event END																											
		Clear	1	Disable																											
		Disabled	0	Read: Disabled																											
		Enabled	1	Read: Enabled																											
E	RW DISABLED			Write '1' to disable interrupt for event DISABLED																											
		Clear	1	Disable																											
		Disabled	0	Read: Disabled																											
		Enabled	1	Read: Enabled																											
F	RW DEVMATCH			Write '1' to disable interrupt for event DEVMATCH																											
		Clear	1	Disable																											
		Disabled	0	Read: Disabled																											
		Enabled	1	Read: Enabled																											
G	RW DEVMISS			Write '1' to disable interrupt for event DEVMISS																											
		Clear	1	Disable																											
		Disabled	0	Read: Disabled																											
		Enabled	1	Read: Enabled																											
H	RW RSSIEND			Write '1' to disable interrupt for event RSSIEND																											
				A new RSSI sample is ready for readout from the RADIO.RSSISAMPLE register																											
		Clear	1	Disable																											
		Disabled	0	Read: Disabled																											
		Enabled	1	Read: Enabled																											
I	RW BCMATCH			Write '1' to disable interrupt for event BCMATCH																											
				Bit counter value is specified in the RADIO.BCC register																											
		Clear	1	Disable																											
		Disabled	0	Read: Disabled																											
		Enabled	1	Read: Enabled																											
K	RW CRCOK			Write '1' to disable interrupt for event CRCOK																											
		Clear	1	Disable																											
		Disabled	0	Read: Disabled																											
		Enabled	1	Read: Enabled																											
L	RW CRCERROR			Write '1' to disable interrupt for event CRCERROR																											

Bit number		31 30 29 28 27 26 25 24 23 22 21 20 19 18 17 16 15 14 13 12 11 10 9 8 7 6 5 4 3 2 1 0																											
ID		a Z Y				V U T S R Q P O N M L K												I H G F E D C B A											
Reset 0x00000000		0 0																											
ID	Acce Field	Value ID	Value	Description																									
		Clear	1	Disable																									
		Disabled	0	Read: Disabled																									
		Enabled	1	Read: Enabled																									
M	RW FRAMESTART			Write '1' to disable interrupt for event FRAMESTART																									
		Clear	1	Disable																									
		Disabled	0	Read: Disabled																									
		Enabled	1	Read: Enabled																									
N	RW EDEND			Write '1' to disable interrupt for event EDEND																									
		Clear	1	Disable																									
		Disabled	0	Read: Disabled																									
		Enabled	1	Read: Enabled																									
O	RW EDSTOPPED			Write '1' to disable interrupt for event EDSTOPPED																									
		Clear	1	Disable																									
		Disabled	0	Read: Disabled																									
		Enabled	1	Read: Enabled																									
P	RW CCAIDLE			Write '1' to disable interrupt for event CCAIDLE																									
		Clear	1	Disable																									
		Disabled	0	Read: Disabled																									
		Enabled	1	Read: Enabled																									
Q	RW CCABUSY			Write '1' to disable interrupt for event CCABUSY																									
		Clear	1	Disable																									
		Disabled	0	Read: Disabled																									
		Enabled	1	Read: Enabled																									
R	RW CCASTOPPED			Write '1' to disable interrupt for event CCASTOPPED																									
		Clear	1	Disable																									
		Disabled	0	Read: Disabled																									
		Enabled	1	Read: Enabled																									
S	RW RATEBOOST			Write '1' to disable interrupt for event RATEBOOST																									
		Clear	1	Disable																									
		Disabled	0	Read: Disabled																									
		Enabled	1	Read: Enabled																									
T	RW TXREADY			Write '1' to disable interrupt for event TXREADY																									
		Clear	1	Disable																									
		Disabled	0	Read: Disabled																									
		Enabled	1	Read: Enabled																									
U	RW RXREADY			Write '1' to disable interrupt for event RXREADY																									
		Clear	1	Disable																									
		Disabled	0	Read: Disabled																									
		Enabled	1	Read: Enabled																									
V	RW MHRMATCH			Write '1' to disable interrupt for event MHRMATCH																									
		Clear	1	Disable																									
		Disabled	0	Read: Disabled																									
		Enabled	1	Read: Enabled																									
Y	RW SYNC			Write '1' to disable interrupt for event SYNC																									
				A possible preamble has been received in Ble_LR125Kbit, Ble_LR500Kbit, or leee802154_250Kbit modes during an RX transaction. False triggering of the event is possible.																									
		Clear	1	Disable																									
		Disabled	0	Read: Disabled																									
		Enabled	1	Read: Enabled																									

Bit number	31 30 29 28 27 26 25 24 23 22 21 20 19 18 17 16 15 14 13 12 11 10 9 8 7 6 5 4 3 2 1 0																														
ID	a Z Y V U T S R Q P O N M L K I H G F E D C B A																														
Reset 0x00000000	0 0																														
ID	Acce Field	Value ID	Value	Description																											
Z	RW PHYEND			Write '1' to disable interrupt for event PHYEND																											
		Clear	1	Disable																											
		Disabled	0	Read: Disabled																											
		Enabled	1	Read: Enabled																											
a	RW CTEPRESENT			Write '1' to disable interrupt for event CTEPRESENT																											
		Clear	1	Disable																											
		Disabled	0	Read: Disabled																											
		Enabled	1	Read: Enabled																											

6.18.15.41 CRCSTATUS

Address offset: 0x400

CRC status

Bit number	31 30 29 28 27 26 25 24 23 22 21 20 19 18 17 16 15 14 13 12 11 10 9 8 7 6 5 4 3 2 1 0																														
ID																															A
Reset 0x00000000	0 0																														
ID	Acce Field	Value ID	Value	Description																											
A	R CRCSTATUS			CRC status of packet received																											
		CRCError	0	Packet received with CRC error																											
		CRCOK	1	Packet received with CRC ok																											

6.18.15.42 RXMATCH

Address offset: 0x408

Received address

Bit number	31 30 29 28 27 26 25 24 23 22 21 20 19 18 17 16 15 14 13 12 11 10 9 8 7 6 5 4 3 2 1 0																														
ID																															A A A
Reset 0x00000000	0 0																														
ID	Acce Field	Value ID	Value	Description																											
A	R RXMATCH			Received address																											
				Logical address of which previous packet was received																											

6.18.15.43 RXCRC

Address offset: 0x40C

CRC field of previously received packet

Bit number	31 30 29 28 27 26 25 24 23 22 21 20 19 18 17 16 15 14 13 12 11 10 9 8 7 6 5 4 3 2 1 0																														
ID	A A																														
Reset 0x00000000	0 0																														
ID	Acce Field	Value ID	Value	Description																											
A	R RXCRC			CRC field of previously received packet																											
				CRC field of previously received packet																											

6.18.15.44 DAI

Address offset: 0x410

Device address match index

Bit number	31	30	29	28	27	26	25	24	23	22	21	20	19	18	17	16	15	14	13	12	11	10	9	8	7	6	5	4	3	2	1	0
ID																											A	A	A			
Reset 0x00000000	0 0																															
ID	Acce Field	Value ID	Value	Description																												
A	R	DAI		Device address match index																												
				Index (n) of device address, see DAB[n] and DAP[n], that got an address match																												

6.18.15.45 PDUSTAT

Address offset: 0x414

Payload status

Bit number	31	30	29	28	27	26	25	24	23	22	21	20	19	18	17	16	15	14	13	12	11	10	9	8	7	6	5	4	3	2	1	0
ID																											B	B	A			
Reset 0x00000000	0 0																															
ID	Acce Field	Value ID	Value	Description																												
A	R	PDUSTAT		Status on payload length vs. PCNF1.MAXLEN																												
		LessThan	0	Payload less than PCNF1.MAXLEN																												
		GreaterThan	1	Payload greater than PCNF1.MAXLEN																												
B	R	CISTAT		Status on what rate packet is received with in Long Range																												
		LR125kbit	0	Frame is received at 125 kbps																												
		LR500kbit	1	Frame is received at 500 kbps																												

6.18.15.46 CTESTATUS

Address offset: 0x44C

CTEInfo parsed from received packet

Bit number	31	30	29	28	27	26	25	24	23	22	21	20	19	18	17	16	15	14	13	12	11	10	9	8	7	6	5	4	3	2	1	0	
ID																											C	C	B	A	A	A	A
Reset 0x00000000	0 0																																
ID	Acce Field	Value ID	Value	Description																													
A	R	CTETIME		CTETime parsed from packet																													
B	R	RFU		RFU parsed from packet																													
C	R	CTETYPE		CTEType parsed from packet																													

6.18.15.47 DFESTATUS

Address offset: 0x458

DFE status information

Bit number	31 30 29 28 27 26 25 24 23 22 21 20 19 18 17 16 15 14 13 12 11 10 9 8 7 6 5 4 3 2 1 0																																	
ID																															B	A	A	A
Reset 0x00000000	0 0																																	
ID	Acce	Field	Value ID	Value	Description																													
A	R	SWITCHINGSTATE			Internal state of switching state machine																													
			Idle	0	Switching state Idle																													
			Offset	1	Switching state Offset																													
			Guard	2	Switching state Guard																													
			Ref	3	Switching state Ref																													
			Switching	4	Switching state Switching																													
			Ending	5	Switching state Ending																													
B	R	SAMPLINGSTATE			Internal state of sampling state machine																													
			Idle	0	Sampling state Idle																													
			Sampling	1	Sampling state Sampling																													

6.18.15.48 PACKETPTR

Address offset: 0x504

Packet pointer

Bit number	31 30 29 28 27 26 25 24 23 22 21 20 19 18 17 16 15 14 13 12 11 10 9 8 7 6 5 4 3 2 1 0																														
ID	A	A	A	A	A	A	A	A	A	A	A	A	A	A	A	A	A	A	A	A	A	A	A	A	A	A	A	A	A	A	A
Reset 0x00000000	0 0																														
ID	Acce	Field	Value ID	Value	Description																										
A	RW	PACKETPTR			Packet pointer																										
					Packet address to be used for the next transmission or reception. When transmitting, the packet pointed to by this address will be transmitted and when receiving, the received packet will be written to this address. This address is a byte aligned RAM address. See the memory chapter for details about which memories are available for EasyDMA.																										

6.18.15.49 FREQUENCY

Address offset: 0x508

Frequency

Bit number	31 30 29 28 27 26 25 24 23 22 21 20 19 18 17 16 15 14 13 12 11 10 9 8 7 6 5 4 3 2 1 0																																			
ID																															B	A	A	A	A	A
Reset 0x00000002	0 1 0																																			
ID	Acce	Field	Value ID	Value	Description																															
A	RW	FREQUENCY		[0..100]	Radio channel frequency																															
					Frequency = 2400 + FREQUENCY (MHz)																															
B	RW	MAP			Channel map selection																															
			Default	0	Channel map between 2400 MHz .. 2500 MHz																															
					Frequency = 2400 + FREQUENCY (MHz)																															
			Low	1	Channel map between 2360 MHz .. 2460 MHz																															
					Frequency = 2360 + FREQUENCY (MHz)																															

6.18.15.50 TXPOWER

Address offset: 0x50C

Output power

Bit number	31 30 29 28 27 26 25 24 23 22 21 20 19 18 17 16 15 14 13 12 11 10 9 8 7 6 5 4 3 2 1 0																																																									
ID																															A	A	A	A	A	A	A	A	A	A	A	A	A	A	A	A	A	A	A	A	A	A	A	A	A	A	A	A
Reset 0x00000000	0 0																																																									
ID	Acce Field	Value ID	Value	Description																																																						
A	RW	TXPOWER		RADIO output power																																																						
				Output power in number of dBm, i.e. if the value -20 is specified the output power will be set to -20 dBm.																																																						
		Pos8dBm	0x8	+8 dBm																																																						
		Pos7dBm	0x7	+7 dBm																																																						
		Pos6dBm	0x6	+6 dBm																																																						
		Pos5dBm	0x5	+5 dBm																																																						
		Pos4dBm	0x4	+4 dBm																																																						
		Pos3dBm	0x3	+3 dBm																																																						
		Pos2dBm	0x2	+2 dBm																																																						
		0dBm	0x0	0 dBm																																																						
		Neg4dBm	0xFC	-4 dBm																																																						
		Neg8dBm	0xF8	-8 dBm																																																						
		Neg12dBm	0xF4	-12 dBm																																																						
		Neg16dBm	0xF0	-16 dBm																																																						
		Neg20dBm	0xEC	-20 dBm																																																						
		Neg30dBm	0xE2	-40 dBm																																																						
		Neg40dBm	0xD8	-40 dBm																																																						

Deprecated

6.18.15.51 MODE

Address offset: 0x510

Data rate and modulation

Bit number	31 30 29 28 27 26 25 24 23 22 21 20 19 18 17 16 15 14 13 12 11 10 9 8 7 6 5 4 3 2 1 0																																	
ID																															A	A	A	A
Reset 0x00000000	0 0																																	
ID	Acce Field	Value ID	Value	Description																														
A	RW	MODE		Radio data rate and modulation setting. The radio supports frequency-shift keying (FSK) modulation.																														
		Nrf_1Mbit	0	1 Mbps Nordic proprietary radio mode																														
		Nrf_2Mbit	1	2 Mbps Nordic proprietary radio mode																														
		Ble_1Mbit	3	1 Mbps BLE																														
		Ble_2Mbit	4	2 Mbps BLE																														
		Ble_LR125Kbit	5	Long range 125 kbps TX, 125 kbps and 500 kbps RX																														
		Ble_LR500Kbit	6	Long range 500 kbps TX, 125 kbps and 500 kbps RX																														
		ieee802154_250Kbit	15	IEEE 802.15.4-2006 250 kbps																														

6.18.15.52 PCNFO

Address offset: 0x514

Packet configuration register 0

Bit number	31 30 29 28 27 26 25 24 23 22 21 20 19 18 17 16 15 14 13 12 11 10 9 8 7 6 5 4 3 2 1 0																														
ID	J J I H H G G F E E E E C A A A A																														
Reset 0x00000000	0 0																														
ID	Acce	Field	Value ID	Value	Description																										
A	RW	LFLEN			Length on air of LENGTH field in number of bits																										
C	RW	SOLEN			Length on air of S0 field in number of bytes																										
E	RW	S1LEN			Length on air of S1 field in number of bits																										
F	RW	S1INCL			Include or exclude S1 field in RAM																										
			Automatic	0	Include S1 field in RAM only if S1LEN > 0																										
			Include	1	Always include S1 field in RAM independent of S1LEN																										
G	RW	CILEN			Length of code indicator - long range																										
H	RW	PLEN			Length of preamble on air. Decision point: TASKS_START task																										
			8bit	0	8-bit preamble																										
			16bit	1	16-bit preamble																										
			32bitZero	2	32-bit zero preamble - used for IEEE 802.15.4																										
			LongRange	3	Preamble - used for BLE long range																										
I	RW	CRCINC			Indicates if LENGTH field contains CRC or not																										
			Exclude	0	LENGTH does not contain CRC																										
			Include	1	LENGTH includes CRC																										
J	RW	TERMLEN			Length of TERM field in Long Range operation																										

6.18.15.53 PCNF1

Address offset: 0x518

Packet configuration register 1

Bit number	31 30 29 28 27 26 25 24 23 22 21 20 19 18 17 16 15 14 13 12 11 10 9 8 7 6 5 4 3 2 1 0																														
ID	E D C C C B B B B B B A A A A A A A A																														
Reset 0x00000000	0 0																														
ID	Acce	Field	Value ID	Value	Description																										
A	RW	MAXLEN		[0..255]	Maximum length of packet payload. If the packet payload is larger than MAXLEN, the radio will truncate the payload to MAXLEN.																										
B	RW	STATLEN		[0..255]	Static length in number of bytes																										
					The static length parameter is added to the total length of the payload when sending and receiving packets, e.g. if the static length is set to N the radio will receive or send N bytes more than what is defined in the LENGTH field of the packet.																										
C	RW	BALEN		[2..4]	Base address length in number of bytes																										
					The address field is composed of the base address and the one byte long address prefix, e.g. set BALEN=2 to get a total address of 3 bytes.																										
D	RW	ENDIAN			On-air endianness of packet, this applies to the S0, LENGTH, S1, and the PAYLOAD fields.																										
			Little	0	Least significant bit on air first																										
			Big	1	Most significant bit on air first																										
E	RW	WHITEEN			Enable or disable packet whitening																										
			Disabled	0	Disable																										
			Enabled	1	Enable																										

6.18.15.54 BASE0

Address offset: 0x51C

Base address 0

Bit number	31	30	29	28	27	26	25	24	23	22	21	20	19	18	17	16	15	14	13	12	11	10	9	8	7	6	5	4	3	2	1	0
ID	A	A	A	A	A	A	A	A	A	A	A	A	A	A	A	A	A	A	A	A	A	A	A	A	A	A	A	A	A	A	A	A
Reset 0x00000000	0	0	0	0	0	0	0	0	0	0	0	0	0	0	0	0	0	0	0	0	0	0	0	0	0	0	0	0	0	0	0	0
ID	Acce	Field	Value ID	Value	Description																											
A	RW	BASE0			Base address 0																											

6.18.15.55 BASE1

Address offset: 0x520

Base address 1

Bit number	31	30	29	28	27	26	25	24	23	22	21	20	19	18	17	16	15	14	13	12	11	10	9	8	7	6	5	4	3	2	1	0
ID	A	A	A	A	A	A	A	A	A	A	A	A	A	A	A	A	A	A	A	A	A	A	A	A	A	A	A	A	A	A	A	A
Reset 0x00000000	0	0	0	0	0	0	0	0	0	0	0	0	0	0	0	0	0	0	0	0	0	0	0	0	0	0	0	0	0	0	0	0
ID	Acce	Field	Value ID	Value	Description																											
A	RW	BASE1			Base address 1																											

6.18.15.56 PREFIX0

Address offset: 0x524

Prefixes bytes for logical addresses 0-3

Bit number	31	30	29	28	27	26	25	24	23	22	21	20	19	18	17	16	15	14	13	12	11	10	9	8	7	6	5	4	3	2	1	0
ID	D	D	D	D	D	D	D	D	C	C	C	C	C	C	C	B	B	B	B	B	B	B	B	B	A	A	A	A	A	A	A	
Reset 0x00000000	0	0	0	0	0	0	0	0	0	0	0	0	0	0	0	0	0	0	0	0	0	0	0	0	0	0	0	0	0	0	0	0
ID	Acce	Field	Value ID	Value	Description																											
A-D	RW	AP[i] (i=0..3)			Address prefix i.																											

6.18.15.57 PREFIX1

Address offset: 0x528

Prefixes bytes for logical addresses 4-7

Bit number	31	30	29	28	27	26	25	24	23	22	21	20	19	18	17	16	15	14	13	12	11	10	9	8	7	6	5	4	3	2	1	0
ID	D	D	D	D	D	D	D	D	C	C	C	C	C	C	C	B	B	B	B	B	B	B	B	B	A	A	A	A	A	A	A	
Reset 0x00000000	0	0	0	0	0	0	0	0	0	0	0	0	0	0	0	0	0	0	0	0	0	0	0	0	0	0	0	0	0	0	0	0
ID	Acce	Field	Value ID	Value	Description																											
A-D	RW	AP[i] (i=4..7)			Address prefix i.																											

6.18.15.58 TXADDRESS

Address offset: 0x52C

Transmit address select

Bit number	31	30	29	28	27	26	25	24	23	22	21	20	19	18	17	16	15	14	13	12	11	10	9	8	7	6	5	4	3	2	1	0																							
ID																											A	A	A																										
Reset	0x00000000																										0	0	0	0	0	0	0	0	0	0	0	0	0	0	0	0	0	0	0	0	0	0	0	0	0	0	0	0	0
ID	Acce Field	Value ID	Value	Description																																																			
A	RW	TXADDRESS		Transmit address select																																																			
				Logical address to be used when transmitting a packet																																																			

6.18.15.59 RXADDRESSES

Address offset: 0x530

Receive address select

Bit number	31	30	29	28	27	26	25	24	23	22	21	20	19	18	17	16	15	14	13	12	11	10	9	8	7	6	5	4	3	2	1	0																							
ID																											H	G	F	E	D	C	B	A																					
Reset	0x00000000																										0	0	0	0	0	0	0	0	0	0	0	0	0	0	0	0	0	0	0	0	0	0	0	0	0	0	0	0	0
ID	Acce Field	Value ID	Value	Description																																																			
A-H	RW	ADDR[i] (i=0..7)		Enable or disable reception on logical address i.																																																			
		Disabled	0	Disable																																																			
		Enabled	1	Enable																																																			

6.18.15.60 CRCCNF

Address offset: 0x534

CRC configuration

Bit number	31	30	29	28	27	26	25	24	23	22	21	20	19	18	17	16	15	14	13	12	11	10	9	8	7	6	5	4	3	2	1	0																						
ID																											B	B			A	A																						
Reset	0x00000000																										0	0	0	0	0	0	0	0	0	0	0	0	0	0	0	0	0	0	0	0	0	0	0	0	0	0	0	0
ID	Acce Field	Value ID	Value	Description																																																		
A	RW	LEN	[1..3]	CRC length in number of bytes																																																		
				For MODE Ble_LR125Kbit and Ble_LR500Kbit, only LEN set to 3 is supported																																																		
		Disabled	0	CRC length is zero and CRC calculation is disabled																																																		
		One	1	CRC length is one byte and CRC calculation is enabled																																																		
		Two	2	CRC length is two bytes and CRC calculation is enabled																																																		
		Three	3	CRC length is three bytes and CRC calculation is enabled																																																		
B	RW	SKIPADDR		Include or exclude packet address field out of CRC calculation.																																																		
		Include	0	CRC calculation includes address field																																																		
		Skip	1	CRC calculation does not include address field. The CRC calculation will start at the first byte after the address.																																																		
		ieee802154	2	CRC calculation as per 802.15.4 standard. Starting at first byte after length field.																																																		

6.18.15.61 CRCPOLY

Address offset: 0x538

CRC polynomial

Bit number	31	30	29	28	27	26	25	24	23	22	21	20	19	18	17	16	15	14	13	12	11	10	9	8	7	6	5	4	3	2	1	0																						
ID																		A	A	A	A	A	A	A	A	A	A	A	A	A	A	A	A	A	A	A	A	A	A	A	A	A	A	A	A	A	A	A	A	A	A			
Reset	0x00000000																	0	0	0	0	0	0	0	0	0	0	0	0	0	0	0	0	0	0	0	0	0	0	0	0	0	0	0	0	0	0	0	0	0	0	0	0	0

ID	Access	Field	Value ID	Value	Description
A	RW	CRCPOLY			CRC polynomial

Each term in the CRC polynomial is mapped to a bit in this register which index corresponds to the term's exponent. The least significant term/bit is hardwired internally to 1, and bit number 0 of the register content is ignored by the hardware. The following example is for an 8 bit CRC polynomial: $x^8 + x^7 + x^3 + x^2 + 1 = 1\ 1000\ 1101$.

6.18.15.62 CRCINIT

Address offset: 0x53C

CRC initial value

Bit number	31	30	29	28	27	26	25	24	23	22	21	20	19	18	17	16	15	14	13	12	11	10	9	8	7	6	5	4	3	2	1	0																						
ID																		A	A	A	A	A	A	A	A	A	A	A	A	A	A	A	A	A	A	A	A	A	A	A	A	A	A	A	A	A	A	A	A	A	A			
Reset	0x00000000																	0	0	0	0	0	0	0	0	0	0	0	0	0	0	0	0	0	0	0	0	0	0	0	0	0	0	0	0	0	0	0	0	0	0	0	0	0

ID	Access	Field	Value ID	Value	Description
A	RW	CRCINIT			CRC initial value

Initial value for CRC calculation

6.18.15.63 TIFS

Address offset: 0x544

Interframe spacing in μ s

Bit number	31	30	29	28	27	26	25	24	23	22	21	20	19	18	17	16	15	14	13	12	11	10	9	8	7	6	5	4	3	2	1	0																						
ID																		A					A	A	A	A	A	A	A	A	A	A																						
Reset	0x00000000																	0	0	0	0	0	0	0	0	0	0	0	0	0	0	0	0	0	0	0	0	0	0	0	0	0	0	0	0	0	0	0	0	0	0	0	0	0

ID	Access	Field	Value ID	Value	Description
A	RW	TIFS			Interframe spacing in μ s.

Interframe space is the time interval between two consecutive packets. It is defined as the time, in microseconds, from the end of the last bit of the previous packet to the start of the first bit of the subsequent packet.

6.18.15.64 RSSISAMPLE

Address offset: 0x548

RSSI sample

Bit number	31	30	29	28	27	26	25	24	23	22	21	20	19	18	17	16	15	14	13	12	11	10	9	8	7	6	5	4	3	2	1	0
ID																											A	A	A	A	A	A
Reset	0x00000000																															
	0 0																															

ID	Acce	Field	Value ID	Value	Description
A	R	RSSISAMPLE		[0..127]	RSSI sample.

RSSI sample result. The value of this register is read as a positive value while the actual received signal strength is a negative value. Actual received signal strength is therefore as follows: received signal strength = -A dBm.

6.18.15.65 STATE

Address offset: 0x550

Current radio state

Bit number	31	30	29	28	27	26	25	24	23	22	21	20	19	18	17	16	15	14	13	12	11	10	9	8	7	6	5	4	3	2	1	0
ID																											A	A	A	A		
Reset	0x00000000																															
	0 0																															

ID	Acce	Field	Value ID	Value	Description
A	R	STATE			Current radio state
			Disabled	0	RADIO is in the Disabled state
			RxRu	1	RADIO is in the RXRU state
			RxIdle	2	RADIO is in the RXIDLE state
			Rx	3	RADIO is in the RX state
			RxDisable	4	RADIO is in the RXDISABLED state
			TxRu	9	RADIO is in the TXRU state
			TxIdle	10	RADIO is in the TXIDLE state
			Tx	11	RADIO is in the TX state
			TxDisable	12	RADIO is in the TXDISABLED state

6.18.15.66 DATAWHITEIV

Address offset: 0x554

Data whitening initial value

Bit number	31	30	29	28	27	26	25	24	23	22	21	20	19	18	17	16	15	14	13	12	11	10	9	8	7	6	5	4	3	2	1	0
ID																											A	A	A	A	A	A
Reset	0x00000040																															
	0 1 0 0 0 0 0 0 0																															

ID	Acce	Field	Value ID	Value	Description
A	RW	DATAWHITEIV			Data whitening initial value. Bit 6 is hardwired to '1', writing '0' to it has no effect, and it will always be read back and used by the device as '1'.

Bit 0 corresponds to Position 6 of the LSFR, Bit 1 to Position 5, etc.

6.18.15.67 BCC

Address offset: 0x560

Bit counter compare

Bit number	31	30	29	28	27	26	25	24	23	22	21	20	19	18	17	16	15	14	13	12	11	10	9	8	7	6	5	4	3	2	1	0
ID	A	A	A	A	A	A	A	A	A	A	A	A	A	A	A	A	A	A	A	A	A	A	A	A	A	A	A	A	A	A	A	A
Reset 0x00000000	0	0	0	0	0	0	0	0	0	0	0	0	0	0	0	0	0	0	0	0	0	0	0	0	0	0	0	0	0	0	0	0
ID	Acce Field	Value ID	Value	Description																												
A	RW	BCC		Bit counter compare																												
				Bit counter compare register																												

6.18.15.68 DAB[n] (n=0..7)

Address offset: $0x600 + (n \times 0x4)$

Device address base segment n

Bit number	31	30	29	28	27	26	25	24	23	22	21	20	19	18	17	16	15	14	13	12	11	10	9	8	7	6	5	4	3	2	1	0
ID	A	A	A	A	A	A	A	A	A	A	A	A	A	A	A	A	A	A	A	A	A	A	A	A	A	A	A	A	A	A	A	
Reset 0x00000000	0	0	0	0	0	0	0	0	0	0	0	0	0	0	0	0	0	0	0	0	0	0	0	0	0	0	0	0	0	0	0	
ID	Acce Field	Value ID	Value	Description																												
A	RW	DAB		Device address base segment n																												

6.18.15.69 DAP[n] (n=0..7)

Address offset: $0x620 + (n \times 0x4)$

Device address prefix n

Bit number	31	30	29	28	27	26	25	24	23	22	21	20	19	18	17	16	15	14	13	12	11	10	9	8	7	6	5	4	3	2	1	0																				
ID																								A	A	A	A	A	A	A	A	A	A	A	A	A	A	A	A	A	A	A	A	A	A	A	A	A	A	A	A	A
Reset 0x00000000																								0	0	0	0	0	0	0	0	0	0	0	0	0	0	0	0	0	0	0	0	0	0	0	0	0	0	0	0	0
ID	Acce Field	Value ID	Value	Description																																																
A	RW	DAP		Device address prefix n																																																

6.18.15.70 DACNF

Address offset: 0x640

Device address match configuration

Bit number	31	30	29	28	27	26	25	24	23	22	21	20	19	18	17	16	15	14	13	12	11	10	9	8	7	6	5	4	3	2	1	0																					
ID																								P	O	N	M	L	K	J	I	H	G	F	E	D	C	B	A														
Reset 0x00000000																								0	0	0	0	0	0	0	0	0	0	0	0	0	0	0	0	0	0	0	0	0	0	0	0	0	0	0	0	0	0
ID	Acce Field	Value ID	Value	Description																																																	
A-H	RW	ENA[i] (i=0..7)		Enable or disable device address matching using device address i																																																	
		Disabled	0	Disabled																																																	
		Enabled	1	Enabled																																																	
I-P	RW	TXADD[i] (i=0..7)		TxAdd for device address i																																																	

6.18.15.71 MHRMATCHCONF

Address offset: 0x644

Search pattern configuration

Bit number	31	30	29	28	27	26	25	24	23	22	21	20	19	18	17	16	15	14	13	12	11	10	9	8	7	6	5	4	3	2	1	0
ID	A	A	A	A	A	A	A	A	A	A	A	A	A	A	A	A	A	A	A	A	A	A	A	A	A	A	A	A	A	A	A	A
Reset 0x00000000	0	0	0	0	0	0	0	0	0	0	0	0	0	0	0	0	0	0	0	0	0	0	0	0	0	0	0	0	0	0	0	
ID	Acce Field	Value ID	Value	Description																												
A	RW	MHRMATCHCONF		Search pattern configuration																												

6.18.15.72 MHRMATCHMAS

Address offset: 0x648

Pattern mask

Bit number	31	30	29	28	27	26	25	24	23	22	21	20	19	18	17	16	15	14	13	12	11	10	9	8	7	6	5	4	3	2	1	0
ID	A	A	A	A	A	A	A	A	A	A	A	A	A	A	A	A	A	A	A	A	A	A	A	A	A	A	A	A	A	A	A	
Reset 0x00000000	0	0	0	0	0	0	0	0	0	0	0	0	0	0	0	0	0	0	0	0	0	0	0	0	0	0	0	0	0	0	0	
ID	Acce Field	Value ID	Value	Description																												
A	RW	MHRMATCHMAS		Pattern mask																												

6.18.15.73 MODECNF0

Address offset: 0x650

Radio mode configuration register 0

Bit number	31	30	29	28	27	26	25	24	23	22	21	20	19	18	17	16	15	14	13	12	11	10	9	8	7	6	5	4	3	2	1	0
ID																									C	C					A	
Reset 0x00000200	0	0	0	0	0	0	0	0	0	0	0	0	0	0	0	0	0	0	0	0	0	0	0	0	1	0	0	0	0	0	0	
ID	Acce Field	Value ID	Value	Description																												
A	RW	RU		Radio ramp-up time																												
		Default	0	Default ramp-up time (tRXEN and tTXEN), compatible with firmware written for nRF51																												
		Fast	1	Fast ramp-up (tRXEN,FAST and tTXEN,FAST), see electrical specifications for more information																												
				When enabled, TIFS is not enforced by hardware and software needs to control when to turn on the Radio																												
C	RW	DTX		Default TX value																												
				Specifies what the RADIO will transmit when it is not started, i.e. between:																												
				RADIO.EVENTS_READY and RADIO.TASKS_START																												
				RADIO.EVENTS_END and RADIO.TASKS_START																												
				RADIO.EVENTS_END and RADIO.EVENTS_DISABLED																												
				For IEEE 802.15.4 250 kbps mode only Center is a valid setting																												
				For Bluetooth Low Energy Long Range mode only Center is a valid setting																												
		B1	0	Transmit '1'																												
		B0	1	Transmit '0'																												
		Center	2	Transmit center frequency																												
				When tuning the crystal for center frequency, the RADIO must be set in DTX = Center mode to be able to achieve the expected accuracy																												

6.18.15.74 SFD

Address offset: 0x660

IEEE 802.15.4 start of frame delimiter

Bit number	31	30	29	28	27	26	25	24	23	22	21	20	19	18	17	16	15	14	13	12	11	10	9	8	7	6	5	4	3	2	1	0																									
ID																									A	A	A	A	A	A	A	A	A	A	A	A	A	A	A	A	A	A	A	A	A	A	A	A	A	A	A	A	A				
Reset 0x000000A7																									0	0	0	0	0	0	0	0	0	0	0	0	0	0	0	0	0	0	0	0	0	0	0	0	0	1	0	1	0	0	1	1	1
ID	Acce Field	Value ID	Value	Description																																																					
A	RW	SFD		IEEE 802.15.4 start of frame delimiter																																																					

6.18.15.75 EDCNT

Address offset: 0x664

IEEE 802.15.4 energy detect loop count

Number of iterations to perform an ED scan. If set to 0 one scan is performed, otherwise the specified number + 1 of ED scans will be performed and the max ED value tracked in EDSAMPLE.

Bit number	31	30	29	28	27	26	25	24	23	22	21	20	19	18	17	16	15	14	13	12	11	10	9	8	7	6	5	4	3	2	1	0																							
ID																									A	A	A	A	A	A	A	A	A	A	A	A	A	A	A	A	A	A	A	A	A	A	A	A	A	A	A	A	A	A	
Reset 0x00000000																									0	0	0	0	0	0	0	0	0	0	0	0	0	0	0	0	0	0	0	0	0	0	0	0	0	0	0	0	0	0	0
ID	Acce Field	Value ID	Value	Description																																																			
A	RW	EDCNT		IEEE 802.15.4 energy detect loop count																																																			

6.18.15.76 EDSAMPLE

Address offset: 0x668

IEEE 802.15.4 energy detect level

Bit number	31	30	29	28	27	26	25	24	23	22	21	20	19	18	17	16	15	14	13	12	11	10	9	8	7	6	5	4	3	2	1	0																							
ID																									A	A	A	A	A	A	A	A	A	A	A	A	A	A	A	A	A	A	A	A	A	A	A	A	A	A	A	A	A		
Reset 0x00000000																									0	0	0	0	0	0	0	0	0	0	0	0	0	0	0	0	0	0	0	0	0	0	0	0	0	0	0	0	0	0	0
ID	Acce Field	Value ID	Value	Description																																																			
A	R	EDLVL	[0..127]	IEEE 802.15.4 energy detect level																																																			

Register value must be converted to IEEE 802.15.4 range by an 8-bit saturating multiplication by factor ED_RSSISCALE, as shown in the code example for ED sampling

6.18.15.77 CCACTRL

Address offset: 0x66C

IEEE 802.15.4 clear channel assessment control

Bit number	31 30 29 28 27 26 25 24 23 22 21 20 19 18 17 16 15 14 13 12 11 10 9 8 7 6 5 4 3 2 1 0																														
ID	D D D D D D D D C C C C C C C C B B B B B B B B A A A																														
Reset 0x052D0000	0 0 0 0 0 1 0 1 0 0 1 0 1 1 0 1 0 0 0 0 0 0 0 0 0 0 0 0 0 0 0 0																														
ID	Acce Field	Value ID	Value	Description																											
A	RW	CCAMODE		CCA mode of operation																											
			EdMode	0	Energy above threshold																										
					Will report busy whenever energy is detected above CCAEDTHRES																										
			CarrierMode	1	Carrier seen																										
					Will report busy whenever compliant IEEE 802.15.4 signal is seen																										
		CarrierAndEdMode	2	Energy above threshold AND carrier seen																											
		CarrierOrEdMode	3	Energy above threshold OR carrier seen																											
		EdModeTest1	4	Energy above threshold test mode that will abort when first ED measurement over threshold is seen. No averaging.																											
B	RW	CCAEDTHRES		CCA energy busy threshold. Used in all the CCA modes except CarrierMode. Must be converted from IEEE 802.15.4 range by dividing by factor ED_RSSISCALE - similar to EDSAMPLE register																											
C	RW	CCACORRTHRES		CCA correlator busy threshold. Only relevant to CarrierMode, CarrierAndEdMode, and CarrierOrEdMode.																											
D	RW	CCACORRCNT		Limit for occurrences above CCACORRTHRES. When not equal to zero the correlator based signal detect is enabled.																											

6.18.15.78 DFEMODE

Address offset: 0x900

Whether to use Angle-of-Arrival (AOA) or Angle-of-Departure (AOD)

Bit number	31 30 29 28 27 26 25 24 23 22 21 20 19 18 17 16 15 14 13 12 11 10 9 8 7 6 5 4 3 2 1 0																														
ID																															
Reset 0x00000000	0 0																														
ID	Acce Field	Value ID	Value	Description																											
A	RW	DFEOPMODE		Direction finding operation mode																											
			Disabled	0	Direction finding mode disabled																										
			AoD	2	Direction finding mode set to AoD																										
			AoA	3	Direction finding mode set to AoA																										

6.18.15.79 CTEINLINECONF

Address offset: 0x904

Configuration for CTE inline mode

Bit number	31 30 29 28 27 26 25 24 23 22 21 20 19 18 17 16 15 14 13 12 11 10 9 8 7 6 5 4 3 2 1 0																														
ID	I I I I I I I I H H H H H H H H G G F F F F E E C B A																														
Reset 0x00002800	0 0 0 0 0 0 0 0 0 0 0 0 0 0 0 0 0 0 1 0 1 0 0 0 0 0 0 0 0 0 0																														
ID	Acce Field	Value ID	Value	Description																											
A	RW	CTEINLINCTRLEN		Enable parsing of CTEInfo from received packet in BLE modes																											
			Enabled	1	Parsing of CTEInfo is enabled																										
			Disabled	0	Parsing of CTEInfo is disabled																										
B	RW	CTEINFOINS1		CTEInfo is S1 byte or not																											

Bit number	31 30 29 28 27 26 25 24 23 22 21 20 19 18 17 16 15 14 13 12 11 10 9 8 7 6 5 4 3 2 1 0																														
ID	I I I I I I I I H H H H H H H H G G G F F F E E C B A																														
Reset 0x00002800	0 0 0 0 0 0 0 0 0 0 0 0 0 0 0 0 0 0 1 0 1 0 0 0 0 0 0 0 0 0 0 0																														
ID	Acce Field	Value ID	Value	Description																											
		InS1	1	CTEInfo is in S1 byte (data PDU)																											
		NotInS1	0	CTEInfo is NOT in S1 byte (advertising PDU)																											
C	RW	CTEERRORHANDLING		Sampling/switching if CRC is not OK																											
		Yes	1	Sampling and antenna switching also when CRC is not OK																											
		No	0	No sampling and antenna switching when CRC is not OK																											
E	RW	CTETIMEVALIDRANGE		Max range of CTETime																											
		20	0	Valid range is 2-20 in BLE core spec. If larger than 20, it can be an indication of an error in the received packet. 20 in 8 μ s unit (default)																											
		31	1	Set to 20 if parsed CTETime is larger than 20 31 in 8 μ s unit																											
		63	2	63 in 8 μ s unit																											
F	RW	CTEINLINERXMODE1US		Spacing between samples for the samples in the SWITCHING period when CTEINLINEMODE is set.																											
		4us	1	When the device is in AoD mode, this is used when the received CTEType is "AoD 1 μ s". When in AoA mode, this is used when TSWITCHSPACING is 2 μ s. 4 μ s																											
		2us	2	2 μ s																											
		1us	3	1 μ s																											
		500ns	4	0.5 μ s																											
		250ns	5	0.25 μ s																											
		125ns	6	0.125 μ s																											
G	RW	CTEINLINERXMODE2US		Spacing between samples for the samples in the SWITCHING period when CTEINLINEMODE is set.																											
		4us	1	When the device is in AoD mode, this is used when the received CTEType is "AoD 2 μ s". When in AoA mode, this is used when TSWITCHSPACING is 4 μ s. 4 μ s																											
		2us	2	2 μ s																											
		1us	3	1 μ s																											
		500ns	4	0.5 μ s																											
		250ns	5	0.25 μ s																											
		125ns	6	0.125 μ s																											
H	RW	SOCONF		S0 bit pattern to match																											
				The least significant bit always corresponds to the first bit of S0 received.																											
I	RW	SOMASK		S0 bit mask to set which bit to match																											
				The least significant bit always corresponds to the first bit of S0 received.																											

6.18.15.80 DFCTRL1

Address offset: 0x910

Various configuration for Direction finding

Bit number	31 30 29 28 27 26 25 24 23 22 21 20 19 18 17 16 15 14 13 12 11 10 9 8 7 6 5 4 3 2 1 0																														
ID	I I I I H H H H G G G F E E E C C C B A A A A A A																														
Reset 0x00023282	0 0 0 0 0 0 0 0 0 0 0 0 0 0 0 1 0 0 0 1 1 0 0 1 0 1 0 0 0 0 0 1 0																														
ID	Acce Field	Value ID	Value	Description																											
A	RW	NUMBEROF8US		Length of the AoA/AoD procedure in number of 8 μ s units Always used in TX mode, but in RX mode only when CTEINLINECTRLLEN is 0																											
B	RW	DFEINEXTENSION		Add CTE extension and do antenna switching/sampling in this extension																											
		CRC	1	AoA/AoD procedure triggered at end of CRC																											
		Payload	0	Antenna switching/sampling is done in the packet payload																											
C	RW	TSWITCHSPACING		Interval between every time the antenna is changed in the SWITCHING state																											
		4us	1	4 μ s																											
		2us	2	2 μ s																											
		1us	3	1 μ s																											
E	RW	TSAMPLESPACINGREF		Interval between samples in the REFERENCE period																											
		4us	1	4 μ s																											
		2us	2	2 μ s																											
		1us	3	1 μ s																											
		500ns	4	0.5 μ s																											
		250ns	5	0.25 μ s																											
		125ns	6	0.125 μ s																											
F	RW	SAMPLETYPE		Whether to sample I/Q or magnitude/phase																											
		IQ	0	Complex samples in I and Q																											
		MagPhase	1	Complex samples as magnitude and phase																											
G	RW	TSAMPLESPACING		Interval between samples in the SWITCHING period when CTEINLINECTRLLEN is 0 Not used when CTEINLINECTRLLEN is set. Then either CTEINLINERXMODE1US or CTEINLINERXMODE2US are used.																											
		4us	1	4 μ s																											
		2us	2	2 μ s																											
		1us	3	1 μ s																											
		500ns	4	0.5 μ s																											
		250ns	5	0.25 μ s																											
		125ns	6	0.125 μ s																											
H	RW	REPEATPATTERN		Repeat each individual antenna pattern N times sequentially, i.e. P0, P0, P1, P1, P2, P2, P3, P3, etc.																											
		NoRepeat	0	Do not repeat (1 time in total)																											
I	RW	AGCBACKOFFGAIN		Gain will be lowered by the specified number of gain steps at the start of CTE First LNAGAIN gain drops, then MIXGAIN, then AAFGAIN																											

6.18.15.81 DFCTRL2

Address offset: 0x914

Start offset for Direction finding

Bit number	31	30	29	28	27	26	25	24	23	22	21	20	19	18	17	16	15	14	13	12	11	10	9	8	7	6	5	4	3	2	1	0
ID	B B B B B B B B B B B B B													A A A A A A A A A A A A A A A A																		
Reset 0x00000000	0 0																															
ID	Acce Field	Value ID	Value	Description																												
A	RW	TSWITCHOFFSET		Signed value offset after the end of the CRC before starting switching in number of 16M cycles Decreasing TSWITCHOFFSET beyond the trigger of the AoA/AoD procedure will have no effect																												
B	RW	TSAMPLEOFFSET		Signed value offset before starting sampling in number of 16M cycles relative to the beginning of the REFERENCE state - 12 μs after switching start Decreasing TSAMPLEOFFSET beyond the trigger of the AoA/AoD procedure will have no effect																												

6.18.15.82 SWITCHPATTERN

Address offset: 0x928

GPIO patterns to be used for each antenna

Maximum 8 GPIOs can be controlled. To secure correct signal levels on the pins, the pins must be configured in the GPIO peripheral as described in Pin configuration.

If, during switching, the total number of antenna slots is bigger than the number of written patterns, the RADIO loops back to the pattern used after the reference pattern.

A minimum number of three patterns must be written.

Bit number	31	30	29	28	27	26	25	24	23	22	21	20	19	18	17	16	15	14	13	12	11	10	9	8	7	6	5	4	3	2	1	0				
ID																									A A A A A A A A											
Reset 0x00000000	0 0																																			
ID	Acce Field	Value ID	Value	Description																																
A	RW	SWITCHPATTERN		Fill array of GPIO patterns for antenna control. The GPIO pattern array size is 40 entries. When written, bit n corresponds to the GPIO configured in PSEL.DFEGPIO[n]. When read, returns the number of GPIO patterns written since the last time the array was cleared. Use CLEARPATTERN to clear the array.																																

6.18.15.83 CLEARPATTERN

Address offset: 0x92C

Clear the GPIO pattern array for antenna control

Bit number	31	30	29	28	27	26	25	24	23	22	21	20	19	18	17	16	15	14	13	12	11	10	9	8	7	6	5	4	3	2	1	0
ID																																A
Reset 0x00000000	0 0																															
ID	Acce Field	Value ID	Value	Description																												
A	RW	CLEARPATTERN	Clear	Clears GPIO pattern array for antenna control Clear the GPIO pattern																												

6.18.15.84 PSEL.DFEGPIO[n] (n=0..7)

Address offset: 0x930 + (n × 0x4)

Pin select for DFE pin n

Must be set before enabling the radio

Bit number	31 30 29 28 27 26 25 24 23 22 21 20 19 18 17 16 15 14 13 12 11 10 9 8 7 6 5 4 3 2 1 0																																										
ID	C																												B			A			A			A			A		
Reset 0xFFFFFFFF	1 1																																										
ID	Acce Field	Value ID	Value	Description																																							
A	RW PIN		[0..31]	Pin number																																							
B	RW PORT		[0..1]	Port number																																							
C	RW CONNECT			Connection																																							
		Disconnected	1	Disconnect																																							
		Connected	0	Connect																																							

6.18.15.85 DFEPACKET.PTR

Address offset: 0x950

Data pointer

Bit number	31 30 29 28 27 26 25 24 23 22 21 20 19 18 17 16 15 14 13 12 11 10 9 8 7 6 5 4 3 2 1 0																														
ID	A A																														
Reset 0x00000000	0 0																														
ID	Acce Field	Value ID	Value	Description																											
A	RW PTR			Data pointer																											

See the memory chapter for details about which memories are available for EasyDMA.

6.18.15.86 DFEPACKET.MAXCNT

Address offset: 0x954

Maximum number of buffer words to transfer

Bit number	31 30 29 28 27 26 25 24 23 22 21 20 19 18 17 16 15 14 13 12 11 10 9 8 7 6 5 4 3 2 1 0																																													
ID																													A			A			A			A			A			A		
Reset 0x00001000	0 1 0 0 0 0 0 0 0 0 0 0 0																																													
ID	Acce Field	Value ID	Value	Description																																										
A	RW MAXCNT			Maximum number of buffer words to transfer																																										

6.18.15.87 DFEPACKET.AMOUNT

Address offset: 0x958

Number of samples transferred in the last transaction

Bit number	31 30 29 28 27 26 25 24 23 22 21 20 19 18 17 16 15 14 13 12 11 10 9 8 7 6 5 4 3 2 1 0																																													
ID																													A			A			A			A			A			A		
Reset 0x00000000	0 0																																													
ID	Acce Field	Value ID	Value	Description																																										
A	R AMOUNT			Number of samples transferred in the last transaction																																										

6.18.15.88 POWER

Address offset: 0xFFC

Peripheral power control

Bit number	31	30	29	28	27	26	25	24	23	22	21	20	19	18	17	16	15	14	13	12	11	10	9	8	7	6	5	4	3	2	1	0
ID																																A
Reset 0x00000001	0 1																															
ID	Acce	Field	Value ID	Value	Description																											
A	RW	POWER			Peripheral power control. The peripheral and its registers will be reset to its initial state by switching the peripheral off and then back on again.																											
			Disabled	0	Peripheral is powered off																											
			Enabled	1	Peripheral is powered on																											

6.18.16 Electrical specification

6.18.16.1 General radio characteristics

Symbol	Description	Min.	Typ.	Max.	Units
f_{OP}	Operating frequencies	2360		2500	MHz
$f_{PLL,CH,SP}$	PLL channel spacing		1		MHz
$f_{DELTA,1M}$	Frequency deviation @ 1 Mbps		±170		kHz
$f_{DELTA,BLE,1M}$	Frequency deviation @ BLE 1 Mbps		±250		kHz
$f_{DELTA,2M}$	Frequency deviation @ 2 Mbps		±320		kHz
$f_{DELTA,BLE,2M}$	Frequency deviation @ BLE 2 Mbps		±500		kHz
f_{skBPS}	On-the-air data rate	125		2000	kbps
$f_{chip, IEEE 802.15.4}$	Chip rate in IEEE 802.15.4 mode		2000		kchip/s

6.18.16.2 Radio current consumption (transmitter)

Symbol	Description	Min.	Typ.	Max.	Units
$I_{TX,PLUS8dBm,DCDC}$	TX only run current (DC/DC, 3 V) $P_{RF} = +8$ dBm		14.2		mA
$I_{TX,PLUS8dBm}$	TX only run current $P_{RF} = +8$ dBm		30.4		mA
$I_{TX,PLUS4dBm,DCDC}$	TX only run current (DC/DC, 3 V) $P_{RF} = +4$ dBm		9.6		mA
$I_{TX,PLUS4dBm}$	TX only run current $P_{RF} = +4$ dBm		20.7		mA
$I_{TX,0dBm,DCDC}$	TX only run current (DC/DC, 3 V) $P_{RF} = 0$ dBm		4.9		mA
$I_{TX,0dBm}$	TX only run current $P_{RF} = 0$ dBm		10.3		mA
$I_{TX,MINUS4dBm,DCDC}$	TX only run current DC/DC, 3 V $P_{RF} = -4$ dBm		3.8		mA
$I_{TX,MINUS4dBm}$	TX only run current $P_{RF} = -4$ dBm		8.0		mA
$I_{TX,MINUS8dBm,DCDC}$	TX only run current DC/DC, 3 V $P_{RF} = -8$ dBm		3.4		mA
$I_{TX,MINUS8dBm}$	TX only run current $P_{RF} = -8$ dBm		7.1		mA
$I_{TX,MINUS12dBm,DCDC}$	TX only run current DC/DC, 3 V $P_{RF} = -12$ dBm		3.1		mA
$I_{TX,MINUS12dBm}$	TX only run current $P_{RF} = -12$ dBm		6.4		mA
$I_{TX,MINUS16dBm,DCDC}$	TX only run current DC/DC, 3 V $P_{RF} = -16$ dBm		2.9		mA
$I_{TX,MINUS16dBm}$	TX only run current $P_{RF} = -16$ dBm		5.9		mA
$I_{TX,MINUS20dBm,DCDC}$	TX only run current DC/DC, 3 V $P_{RF} = -20$ dBm		2.7		mA
$I_{TX,MINUS20dBm}$	TX only run current $P_{RF} = -20$ dBm		5.5		mA
$I_{TX,MINUS40dBm,DCDC}$	TX only run current DC/DC, 3 V $P_{RF} = -40$ dBm		2.3		mA
$I_{TX,MINUS40dBm}$	TX only run current $P_{RF} = -40$ dBm		4.5		mA
$I_{START,TX,DCDC}$	TX start-up current DC/DC, 3 V, $P_{RF} = 4$ dBm		4.3		mA

Symbol	Description	Min.	Typ.	Max.	Units
I _{START,TX}	TX start-up current, P _{RF} = 4 dBm		8.9		mA

6.18.16.3 Radio current consumption (Receiver)

Symbol	Description	Min.	Typ.	Max.	Units
I _{RX,1M,DCDC}	RX only run current (DC/DC, 3 V) 1 Mbps/1 Mbps BLE		4.6		mA
I _{RX,1M}	RX only run current (LDO, 3 V) 1 Mbps/1 Mbps BLE		9.6		mA
I _{RX,2M,DCDC}	RX only run current (DC/DC, 3 V) 2 Mbps/2 Mbps BLE		5.2		mA
I _{RX,2M}	RX only run current (LDO, 3 V) 2 Mbps/2 Mbps BLE		10.7		mA
I _{START,RX,1M,DCDC}	RX start-up current (DC/DC, 3 V) 1 Mbps/1 Mbps BLE		3.4		mA
I _{START,RX,1M}	RX start-up current 1 Mbps/1 Mbps BLE		6.8		mA

6.18.16.4 Transmitter specification

Symbol	Description	Min.	Typ.	Max.	Units
P _{RF}	Maximum output power		8		dBm
P _{RF,C}	RF power control range		28		dB
P _{RF,C,R}	RF power accuracy			±4	dB
P _{RF1,1}	1st Adjacent Channel Transmit Power 1 MHz (1 Mbps)		-25		dBc
P _{RF2,1}	2nd Adjacent Channel Transmit Power 2 MHz (1 Mbps)		-54		dBc
P _{RF1,2}	1st Adjacent Channel Transmit Power 2 MHz (2 Mbps)		-26		dBc
P _{RF2,2}	2nd Adjacent Channel Transmit Power 4 MHz (2 Mbps)		-54		dBc
E _{vm}	Error vector magnitude in IEEE 802.15.4 mode		9		%rms
P _{harm2nd, IEEE 802.15.4}	2nd harmonics in IEEE 802.15.4 mode		-51		dBm
P _{harm3rd, IEEE 802.15.4}	3rd harmonics in IEEE 802.15.4 mode		-51		dBm

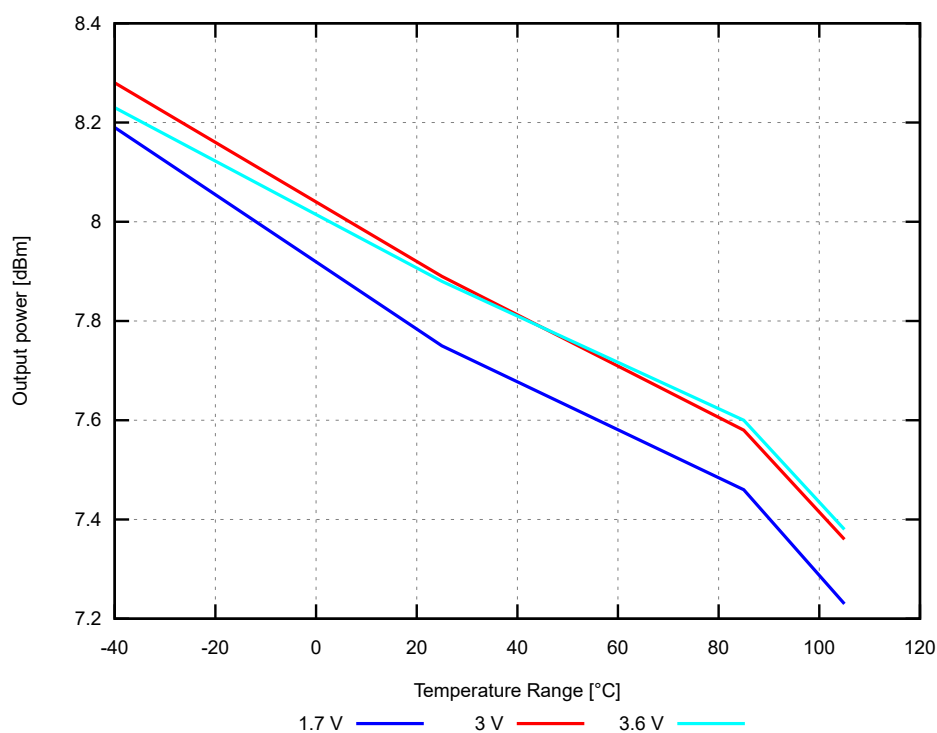


Figure 115: Output power, 1 Mbps Bluetooth low energy mode, at maximum TXPOWER setting (typical values)

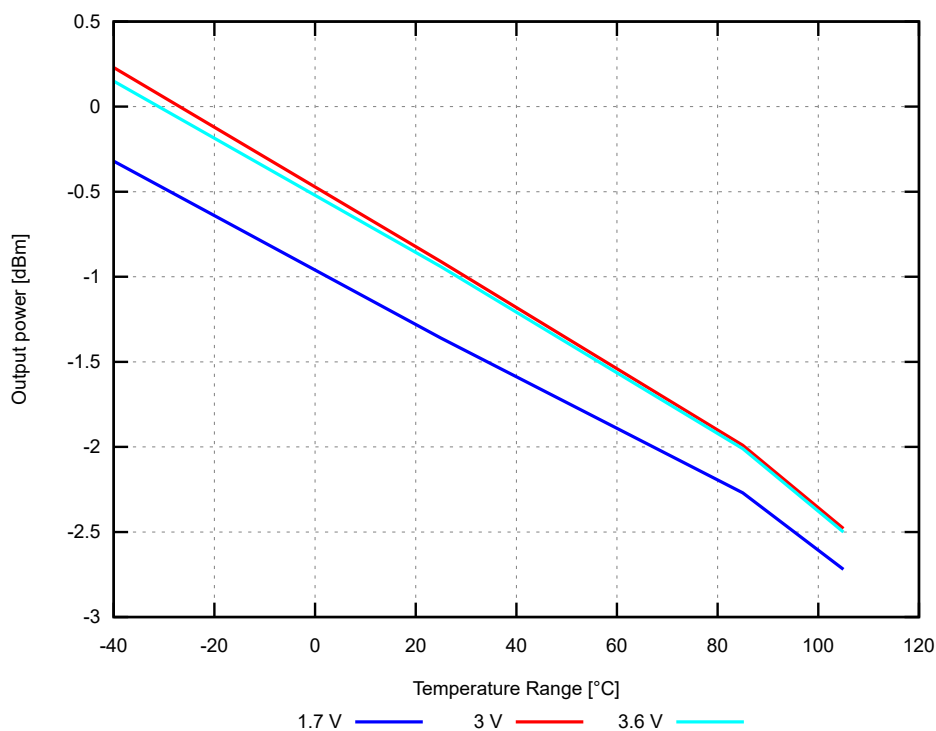


Figure 116: Output power, 1 Mbps Bluetooth low energy mode, at 0 dBm TXPOWER setting (typical values)

6.18.16.5 Receiver operation

Symbol	Description	Min.	Typ.	Max.	Units
P _{RX,MAX}	Maximum received signal strength at < 0.1% PER		0		dBm
P _{SENS,IT,1M}	Sensitivity, 1 Mbps nRF mode ideal transmitter ¹⁷		-93		dBm
P _{SENS,IT,2M}	Sensitivity, 2 Mbps nRF mode ideal transmitter ¹⁷		-89		dBm
P _{SENS,IT,SP,1M,BLE}	Sensitivity, 1 Mbps BLE ideal transmitter, packet length ≤ 37 bytes BER=1E-3 ¹⁸		-96		dBm
P _{SENS,IT,LP,1M,BLE}	Sensitivity, 1 Mbps BLE ideal transmitter, packet length ≥ 128 bytes BER=1E-4 ¹⁹		-94		dBm
P _{SENS,IT,SP,2M,BLE}	Sensitivity, 2 Mbps BLE ideal transmitter, packet length ≤ 37 bytes		-92		dBm
P _{SENS,IT,BLE LE125k}	Sensitivity, 125 kbps BLE mode		-103		dBm
P _{SENS,IT,BLE LE500k}	Sensitivity, 500 kbps BLE mode		-98		dBm
P _{SENS,IEEE 802.15.4}	Sensitivity in IEEE 802.15.4 mode		-100		dBm

¹⁷ Typical sensitivity applies when ADDR0 is used for receiver address correlation. When ADDR[1...7] are used for receiver address correlation, the typical sensitivity for this mode is degraded by 3 dB.

¹⁸ As defined in the *Bluetooth Core Specification v4.0 Volume 6: Core System Package (Low Energy Controller Volume)*.

¹⁹ Equivalent BER limit < 10E-04.

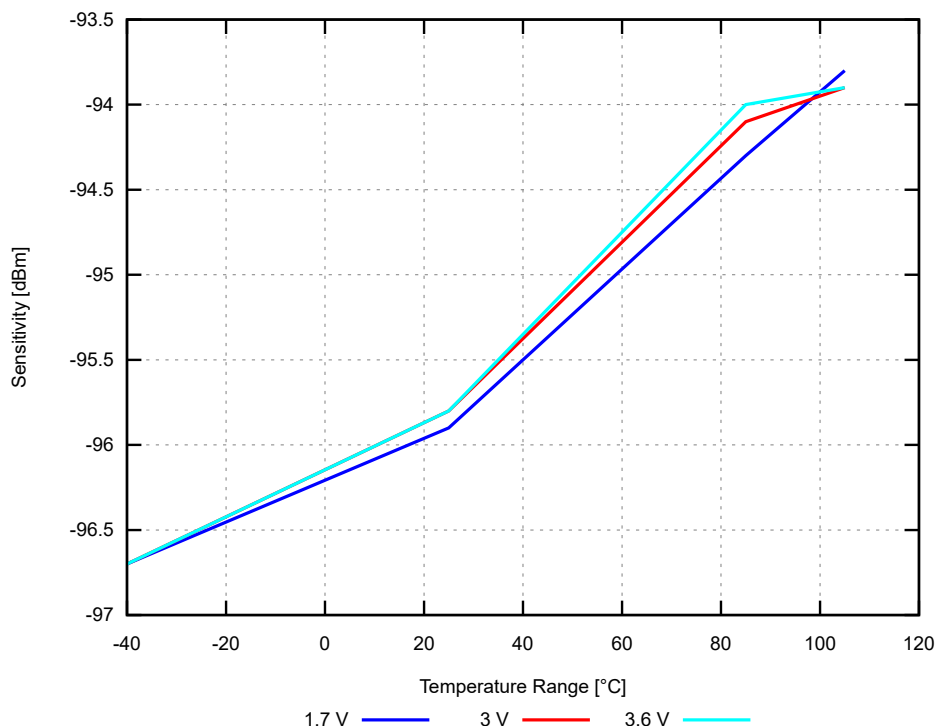


Figure 117: Sensitivity, 1 Mbps Bluetooth low energy mode, Regulator = LDO (typical values)

6.18.16.6 RX selectivity

RX selectivity with equal modulation on interfering signal²⁰

Symbol	Description	Min.	Typ.	Max.	Units
C/I _{1M,co-channel}	1Mbps mode, co-channel interference		10		dB
C/I _{1M,-1MHz}	1 Mbps mode, Adjacent (-1 MHz) interference		-5		dB
C/I _{1M,+1MHz}	1 Mbps mode, Adjacent (+1 MHz) interference		-14		dB
C/I _{1M,-2MHz}	1 Mbps mode, Adjacent (-2 MHz) interference		-19		dB
C/I _{1M,+2MHz}	1 Mbps mode, Adjacent (+2 MHz) interference		-42		dB
C/I _{1M,-3MHz}	1 Mbps mode, Adjacent (-3 MHz) interference		-37		dB
C/I _{1M,+3MHz}	1 Mbps mode, Adjacent (+3 MHz) interference		-47		dB
C/I _{1M,≥6MHz}	1 Mbps mode, Adjacent (≥6 MHz) interference		-52		dB
C/I _{1M BLE,co-channel}	1 Mbps BLE mode, co-channel interference		6		dB
C/I _{1M BLE,-1MHz}	1 Mbps BLE mode, Adjacent (-1 MHz) interference		-2		dB
C/I _{1M BLE,+1MHz}	1 Mbps BLE mode, Adjacent (+1 MHz) interference		-10		dB
C/I _{1M BLE,-2MHz}	1 Mbps BLE mode, Adjacent (-2 MHz) interference		-23		dB
C/I _{1M BLE,+2MHz}	1 Mbps BLE mode, Adjacent (+2 MHz) interference		-45		dB
C/I _{1M BLE,>3MHz}	1 Mbps BLE mode, Adjacent (≥3 MHz) interference		-54		dB
C/I _{1M BLE,image}	Image frequency interference		-24		dB
C/I _{1M BLE,image,1MHz}	Adjacent (1 MHz) interference to in-band image frequency		-37		dB
C/I _{2M,co-channel}	2 Mbps mode, co-channel interference		10		dB
C/I _{2M,-2MHz}	2 Mbps mode, Adjacent (-2 MHz) interference		-4		dB
C/I _{2M,+2MHz}	2 Mbps mode, Adjacent (+2 MHz) interference		-16		dB
C/I _{2M,-4MHz}	2 Mbps mode, Adjacent (-4 MHz) interference		-19		dB
C/I _{2M,+4MHz}	2 Mbps mode, Adjacent (+4 MHz) interference		-46		dB

²⁰ Desired signal level at PIN = -67 dBm. One interferer is used, having equal modulation as the desired signal. The input power of the interferer where the sensitivity equals BER = 0.1% is presented.

Symbol	Description	Min.	Typ.	Max.	Units
C/l _{2M,-6MHz}	2 Mbps mode, Adjacent (-6 MHz) interference		-41		dB
C/l _{2M,+6MHz}	2 Mbps mode, Adjacent (+6 MHz) interference		-48		dB
C/l _{2M,≥12MHz}	2 Mbps mode, Adjacent (≥12 MHz) interference		-52		dB
C/l _{2MBLE,co-channel}	2 Mbps BLE mode, co-channel interference		7		dB
C/l _{2MBLE,-2MHz}	2 Mbps BLE mode, Adjacent (-2 MHz) interference		-2		dB
C/l _{2MBLE,+2MHz}	2 Mbps BLE mode, Adjacent (+2 MHz) interference		-12		dB
C/l _{2MBLE,-4MHz}	2 Mbps BLE mode, Adjacent (-4 MHz) interference		-22		dB
C/l _{2MBLE,+4MHz}	2 Mbps BLE mode, Adjacent (+4 MHz) interference		-46		dB
C/l _{2MBLE,≥6MHz}	2 Mbps BLE mode, Adjacent (≥6 MHz) interference		-52		dB
C/l _{2MBLE,image}	Image frequency interference		-22		dB
C/l _{2MBLE,image, 2MHz}	Adjacent (2 MHz) interference to in-band image frequency		-37		dB
C/l _{125k BLE LR,co-channel}	125 kbps BLE LR mode, co-channel interference		3		dB
C/l _{125k BLE LR,-1MHz}	125 kbps BLE LR mode, Adjacent (-1 MHz) interference		-9		dB
C/l _{125k BLE LR,+1MHz}	125 kbps BLE LR mode, Adjacent (+1 MHz) interference		-16		dB
C/l _{125k BLE LR,-2MHz}	125 kbps BLE LR mode, Adjacent (-2 MHz) interference		-27		dB
C/l _{125k BLE LR,+2MHz}	125 kbps BLE LR mode, Adjacent (+2 MHz) interference		-54		dB
C/l _{125k BLE LR,>3MHz}	125 kbps BLE LR mode, Adjacent (≥3 MHz) interference		-60		dB
C/l _{125k BLE LR,image}	Image frequency interference		-27		dB
C/l _{IEEE 802.15.4,-5MHz}	IEEE 802.15.4 mode, Adjacent (-5 MHz) rejection		-33		dB
C/l _{IEEE 802.15.4,+5MHz}	IEEE 802.15.4 mode, Adjacent (+5 MHz) rejection		-38		dB
C/l _{IEEE 802.15.4,±10MHz}	IEEE 802.15.4 mode, Alternate (±10 MHz) rejection		-49		dB

6.18.16.7 RX intermodulation

RX intermodulation. Desired signal level at PIN = -64 dBm. Two interferers with equal input power are used. The interferer closest in frequency is not modulated, the other interferer is modulated equal with the desired signal. The input power of the interferers where the sensitivity equals BER = 0.1% is presented.

Symbol	Description	Min.	Typ.	Max.	Units
P _{IMD,5TH,1M}	IMD performance, 1 Mbps, 5th offset channel, packet length ≤ 37 bytes		-34		dBm
P _{IMD,5TH,1M,BLE}	IMD performance, BLE 1 Mbps, 5th offset channel, packet length ≤ 37 bytes		-32		dBm
P _{IMD,5TH,2M}	IMD performance, 2 Mbps, 5th offset channel, packet length ≤ 37 bytes		-33		dBm
P _{IMD,5TH,2M,BLE}	IMD performance, BLE 2 Mbps, 5th offset channel, packet length ≤ 37 bytes		-32		dBm

6.18.16.8 Radio timing

Symbol	Description	Min.	Typ.	Max.	Units
t _{TXEN,BLE,1M}	Time between TXEN task and READY event after channel FREQUENCY configured (1 Mbps BLE and 150 μs TIFS)	140		140	μs
t _{TXEN,FAST,BLE,1M}	Time between TXEN task and READY event after channel FREQUENCY configured (1 Mbps BLE with fast ramp-up and 150 μs TIFS)	40		40	μs
t _{TXDIS,BLE,1M}	When in TX, delay between DISABLE task and DISABLED event for MODE = Nrf_1Mbit and MODE = Ble_1Mbit	6		6	μs
t _{RXEN,BLE,1M}	Time between the RXEN task and READY event after channel FREQUENCY configured (1 Mbps BLE)	140		140	μs
t _{RXEN,FAST,BLE,1M}	Time between the RXEN task and READY event after channel FREQUENCY configured (1 Mbps BLE with fast ramp-up)	40		40	μs

Symbol	Description	Min.	Typ.	Max.	Units
t _{RXDIS,BLE,1M}	When in RX, delay between DISABLE task and DISABLED event for MODE = Nrf_1Mbit and MODE = Ble_1Mbit	0		0	μs
t _{TXDIS,BLE,2M}	When in TX, delay between DISABLE task and DISABLED event for MODE = Nrf_2Mbit and MODE = Ble_2Mbit	4		4	μs
t _{RXDIS,BLE,2M}	When in RX, delay between DISABLE task and DISABLED event for MODE = Nrf_2Mbit and MODE = Ble_2Mbit	0		0	μs
t _{TXEN,IEEE 802.15.4}	Time between TXEN task and READY event after channel FREQUENCY configured (IEEE 802.15.4 mode)	130		130	μs
t _{TXEN,FAST,IEEE 802.15.4}	Time between TXEN task and READY event after channel FREQUENCY configured (IEEE 802.15.4 mode with fast ramp-up)	40		40	μs
t _{TXDIS,IEEE 802.15.4}	When in TX, delay between DISABLE task and DISABLED event (IEEE 802.15.4 mode)	21		21	μs
t _{RXEN,IEEE 802.15.4}	Time between the RXEN task and READY event after channel FREQUENCY configured (IEEE 802.15.4 mode)	130		130	μs
t _{RXEN,FAST,IEEE 802.15.4}	Time between the RXEN task and READY event after channel FREQUENCY configured (IEEE 802.15.4 mode with fast ramp-up)	40		40	μs
t _{RXDIS,IEEE 802.15.4}	When in RX, delay between DISABLE task and DISABLED event (IEEE 802.15.4 mode)	0.5		0.5	μs
t _{RX-to-TX turnaround}	Maximum TX-to-RX or RX-to-TX turnaround time in IEEE 802.15.4 mode		40		μs

6.18.16.9 Received signal strength indicator (RSSI) specifications

Symbol	Description	Min.	Typ.	Max.	Units
RSSI _{ACC}	RSSI accuracy ²¹		±2		dB
RSSI _{RESOLUTION}	RSSI resolution		1		dB
RSSI _{PERIOD}	RSSI sampling time from RSSI_START task		0.25		μs
RSSI _{SETTLE}	RSSI settling time after signal level change		15		μs

6.18.16.10 Jitter

Symbol	Description	Min.	Typ.	Max.	Units
t _{DISABLEDJITTER}	Jitter on DISABLED event relative to END event when shortcut between END and DISABLE is enabled		0.25		μs
t _{READYJITTER}	Jitter on READY event relative to TXEN and RXEN task		0.25		μs

6.18.16.11 IEEE 802.15.4 mode energy detection constants

Symbol	Description	Min.	Typ.	Max.	Units
ED_RSSISCALE	Scaling value when converting between hardware-reported value and dBm		5		
ED_RSSIOFFS	Offset value when converting between hardware-reported value and dBm		-93		

²¹ Valid range -90 to -30 dBm

6.19 RNG — Random number generator

The Random number generator (RNG) generates true non-deterministic random numbers based on internal thermal noise that are suitable for cryptographic purposes. The RNG does not require a seed value.

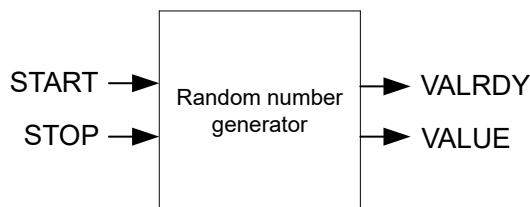


Figure 118: Random number generator

The RNG is started by triggering the START task and stopped by triggering the STOP task. When started, new random numbers are generated continuously and written to the VALUE register when ready. A VALRDY event is generated for every new random number that is written to the VALUE register. This means that after a VALRDY event is generated, the CPU has the time until the next VALRDY event to read out the random number from the VALUE register before it is overwritten by a new random number.

6.19.1 Bias correction

A bias correction algorithm is employed on the internal bit stream to remove any bias toward 1 or 0. The bits are then queued into an eight-bit register for parallel readout from the VALUE register.

It is possible to enable bias correction in the CONFIG register. This will result in slower value generation, but will ensure a statistically uniform distribution of the random values.

6.19.2 Speed

The time needed to generate one random byte of data is unpredictable, and may vary from one byte to the next. This is especially true when bias correction is enabled.

6.19.3 Registers

Base address	Peripheral	Instance	Description	Configuration
0x4000D000	RNG	RNG	Random number generator	

Table 87: Instances

Register	Offset	Description
TASKS_START	0x000	Task starting the random number generator
TASKS_STOP	0x004	Task stopping the random number generator
EVENTS_VALRDY	0x100	Event being generated for every new random number written to the VALUE register
SHORTS	0x200	Shortcuts between local events and tasks
INTENSET	0x304	Enable interrupt
INTENCLR	0x308	Disable interrupt
CONFIG	0x504	Configuration register
VALUE	0x508	Output random number

Table 88: Register overview

6.19.3.1 TASKS_START

Address offset: 0x000

Task starting the random number generator

Bit number	31 30 29 28 27 26 25 24 23 22 21 20 19 18 17 16 15 14 13 12 11 10 9 8 7 6 5 4 3 2 1 0																														
ID	A																														
Reset 0x00000000	0 0																														
ID	Acce Field	Value ID	Value	Description																											
A	W TASKS_START			Task starting the random number generator																											
		Trigger	1	Trigger task																											

6.19.3.2 TASKS_STOP

Address offset: 0x004

Task stopping the random number generator

Bit number	31 30 29 28 27 26 25 24 23 22 21 20 19 18 17 16 15 14 13 12 11 10 9 8 7 6 5 4 3 2 1 0																														
ID	A																														
Reset 0x00000000	0 0																														
ID	Acce Field	Value ID	Value	Description																											
A	W TASKS_STOP			Task stopping the random number generator																											
		Trigger	1	Trigger task																											

6.19.3.3 EVENTS_VALRDY

Address offset: 0x100

Event being generated for every new random number written to the VALUE register

Bit number	31 30 29 28 27 26 25 24 23 22 21 20 19 18 17 16 15 14 13 12 11 10 9 8 7 6 5 4 3 2 1 0																														
ID	A																														
Reset 0x00000000	0 0																														
ID	Acce Field	Value ID	Value	Description																											
A	RW EVENTS_VALRDY			Event being generated for every new random number written to the VALUE register																											
		NotGenerated	0	Event not generated																											
		Generated	1	Event generated																											

6.19.3.4 SHORTS

Address offset: 0x200

Shortcuts between local events and tasks

Bit number	31 30 29 28 27 26 25 24 23 22 21 20 19 18 17 16 15 14 13 12 11 10 9 8 7 6 5 4 3 2 1 0																														
ID	A																														
Reset 0x00000000	0 0																														
ID	Acce Field	Value ID	Value	Description																											
A	RW VALRDY_STOP			Shortcut between event VALRDY and task STOP																											
		Disabled	0	Disable shortcut																											
		Enabled	1	Enable shortcut																											

6.19.3.5 INTENSET

Address offset: 0x304

Enable interrupt

Bit number	31 30 29 28 27 26 25 24 23 22 21 20 19 18 17 16 15 14 13 12 11 10 9 8 7 6 5 4 3 2 1 0																														
ID	A																														
Reset 0x00000000	0 0																														
ID	Acce Field	Value ID	Value	Description																											
A	RW VALRDY			Write '1' to enable interrupt for event VALRDY																											
		Set	1	Enable																											
		Disabled	0	Read: Disabled																											
		Enabled	1	Read: Enabled																											

6.19.3.6 INTENCLR

Address offset: 0x308

Disable interrupt

Bit number	31 30 29 28 27 26 25 24 23 22 21 20 19 18 17 16 15 14 13 12 11 10 9 8 7 6 5 4 3 2 1 0																														
ID	A																														
Reset 0x00000000	0 0																														
ID	Acce Field	Value ID	Value	Description																											
A	RW VALRDY			Write '1' to disable interrupt for event VALRDY																											
		Clear	1	Disable																											
		Disabled	0	Read: Disabled																											
		Enabled	1	Read: Enabled																											

6.19.3.7 CONFIG

Address offset: 0x504

Configuration register

Bit number	31 30 29 28 27 26 25 24 23 22 21 20 19 18 17 16 15 14 13 12 11 10 9 8 7 6 5 4 3 2 1 0																														
ID	A																														
Reset 0x00000000	0 0																														
ID	Acce Field	Value ID	Value	Description																											
A	RW DERCEN			Bias correction																											
		Disabled	0	Disabled																											
		Enabled	1	Enabled																											

6.19.3.8 VALUE

Address offset: 0x508

Output random number

Bit number	31 30 29 28 27 26 25 24 23 22 21 20 19 18 17 16 15 14 13 12 11 10 9 8 7 6 5 4 3 2 1 0																														
ID	A A A A A A A A																														
Reset 0x00000000	0 0																														
ID	Acce Field	Value ID	Value	Description																											
A	R VALUE		[0..255]	Generated random number																											

6.19.4 Electrical specification

6.19.4.1 RNG Electrical Specification

Symbol	Description	Min.	Typ.	Max.	Units
$t_{\text{RNG,START}}$	Time from setting the START task to generation begins. This is a one-time delay on START signal and does not apply between samples.		128		μs
$t_{\text{RNG,RAW}}$	Run time per byte without bias correction. Uniform distribution of 0 and 1 is not guaranteed.		30		μs
$t_{\text{RNG,BC}}$	Run time per byte with bias correction. Uniform distribution of 0 and 1 is guaranteed. Time to generate a byte cannot be guaranteed.		120		μs

6.20 RTC — Real-time counter

The Real-time counter (RTC) module provides a generic, low power timer on the low-frequency clock source (LFCLK).

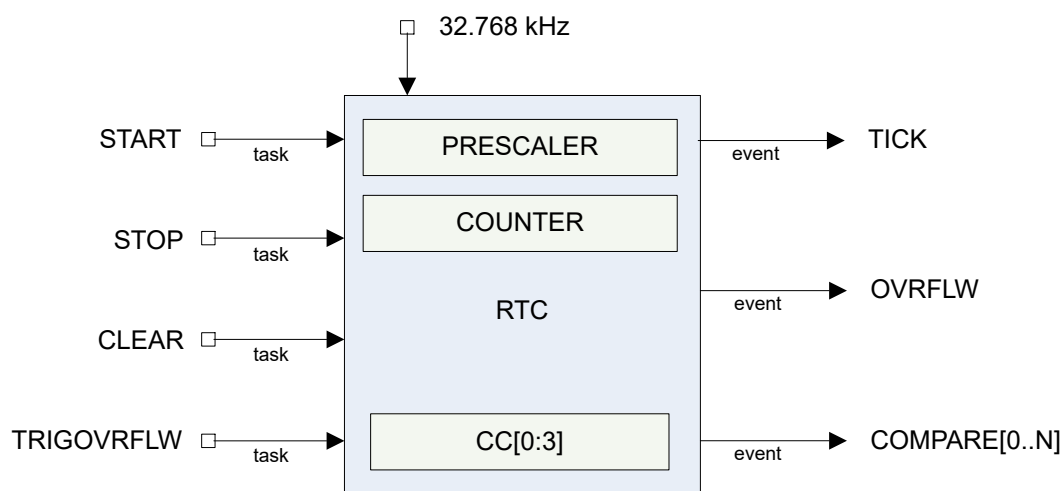


Figure 119: RTC block schematic

The RTC module features a 24-bit COUNTER, a 12-bit (1/X) prescaler, capture/compare registers, and a tick event generator for low power, tickless RTOS implementation.

6.20.1 Clock source

The RTC runs off the LFCLK.

The COUNTER resolution is 30.517 μs . Depending on the source, the RTC is able to run while the HFCLK is OFF and PCLK16M is not available.

The software has to explicitly start LFCLK before using the RTC.

See [CLOCK — Clock control](#) on page 82 for more information about clock sources.

6.20.2 Resolution versus overflow and the PRESCALER

Counter increment frequency:

$$f_{\text{RTC}} [\text{kHz}] = 32.768 / (\text{PRESCALER} + 1)$$

The PRESCALER register is read/write when the RTC is stopped. The PRESCALER register is read-only once the RTC is STARTed. Writing to the PRESCALER register when the RTC is started has no effect.

The PRESCALER is restarted on START, CLEAR, and TRIGOVFLW, meaning the prescaler value is latched to an internal register (<<PRESC>>) on these tasks.

Examples of different frequency configurations are as following:

- Desired COUNTER frequency 100 Hz (10 ms counter period)

$$\text{PRESCALER} = \text{round}(32.768 \text{ kHz} / 100 \text{ Hz}) - 1 = 327$$

$$f_{\text{RTC}} = 99.9 \text{ Hz}$$

$$10009.576 \mu\text{s counter period}$$

- Desired COUNTER frequency 8 Hz (125 ms counter period)

$$\text{PRESCALER} = \text{round}(32.768 \text{ kHz} / 8 \text{ Hz}) - 1 = 4095$$

$$f_{\text{RTC}} = 8 \text{ Hz}$$

$$125 \text{ ms counter period}$$

Prescaler	Counter resolution	Overflow
0	30.517 μs	512 seconds
2^8-1	7812.5 μs	131072 seconds
$2^{12}-1$	125 ms	582.542 hours

Table 89: RTC resolution versus overflow

6.20.3 COUNTER register

The COUNTER increments on LFCLK when the internal PRESCALER register (<<PRESC>>) is 0x00. <<PRESC>> is reloaded from the PRESCALER register. If enabled, the TICK event occurs on each increment of the COUNTER. The TICK event is disabled by default.

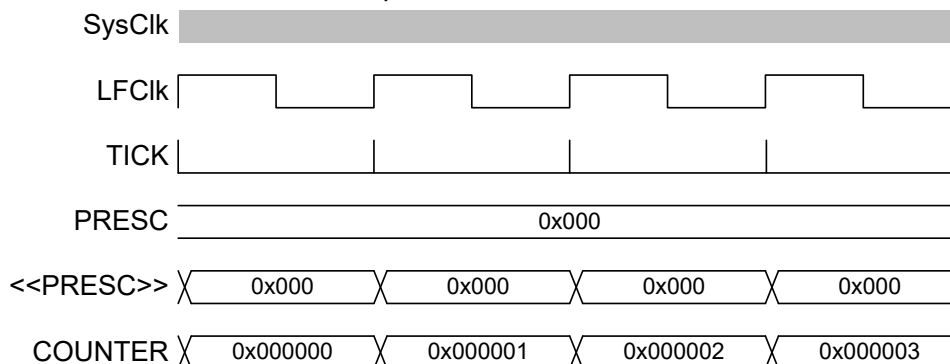


Figure 120: Timing diagram - COUNTER_PRESCALER_0

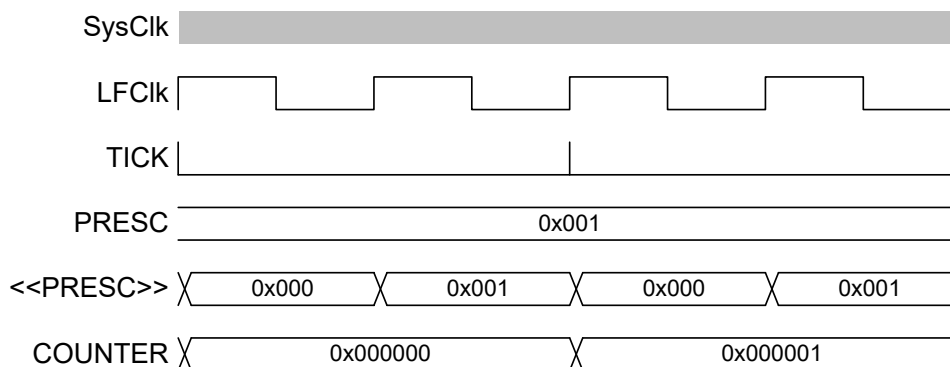


Figure 121: Timing diagram - COUNTER_PRESCALER_1

6.20.4 Overflow features

The TRIGOVFLW task sets the COUNTER value to 0xFFFFF0 to allow SW test of the overflow condition. OVRFLW occurs when COUNTER overflows from 0xFFFFF to 0.

Note: The OVRFLW event is disabled by default.

6.20.5 TICK event

The TICK event enables low power tickless RTOS implementation as it optionally provides a regular interrupt source for a RTOS without the need to use the ARM[®] SysTick feature.

Using the RTC TICK event rather than the SysTick allows the CPU to be powered down while still keeping RTOS scheduling active.

Note: The TICK event is disabled by default.

6.20.6 Event control feature

To optimize RTC power consumption, events in the RTC can be individually disabled to prevent PCLK16M and HFCLK being requested when those events are triggered. This is managed using the EVTEN register.

For example, if the TICK event is not required for an application, this event should be disabled as it is frequently occurring and may increase power consumption if HFCLK otherwise could be powered down for long durations.

This means that the RTC implements a slightly different task and event system compared to the standard system described in [Peripheral interface](#) on page 98. The RTC task and event system is illustrated in [Tasks, events, and interrupts in the RTC](#) on page 351.

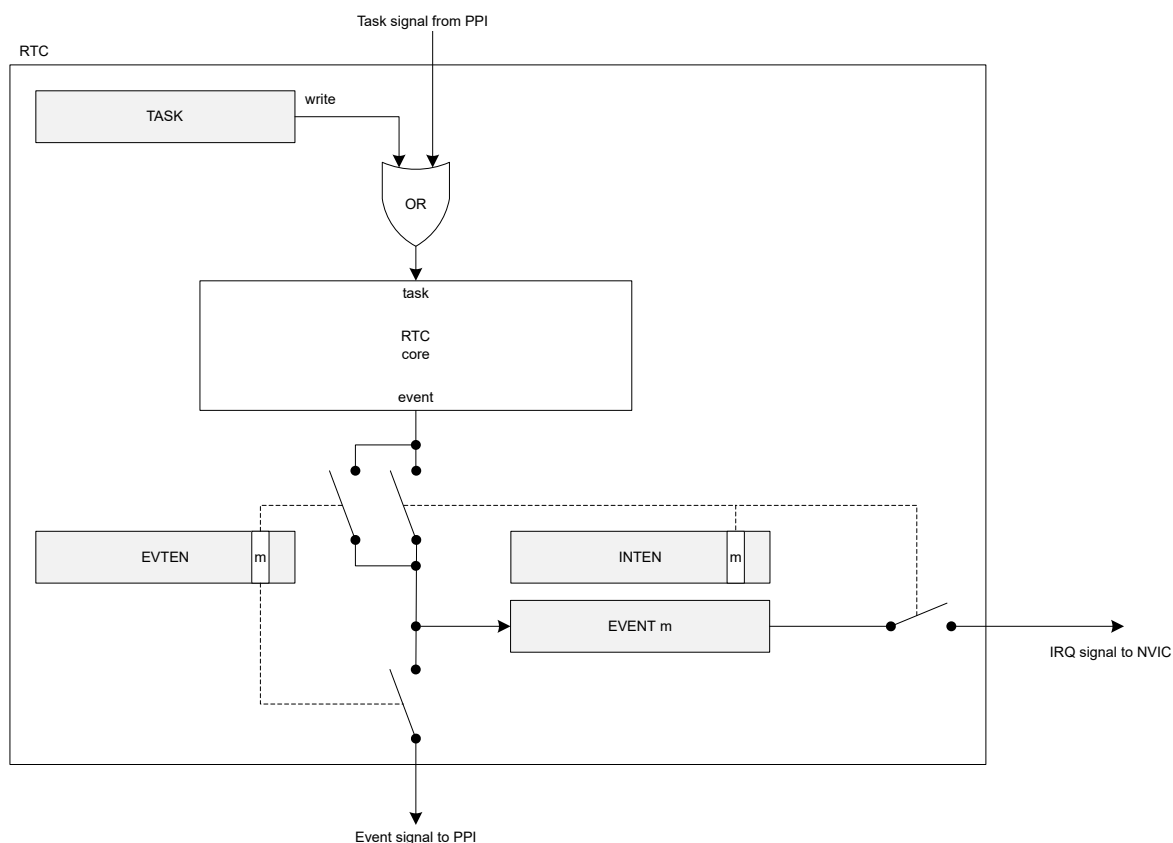


Figure 122: Tasks, events, and interrupts in the RTC

6.20.7 Compare feature

There are a number of Compare registers.

For more information, see [Registers](#) on page 356.

When setting a compare register, the following behavior of the RTC compare event should be noted:

- If a CC register value is 0 when a CLEAR task is set, this will not trigger a COMPARE event.

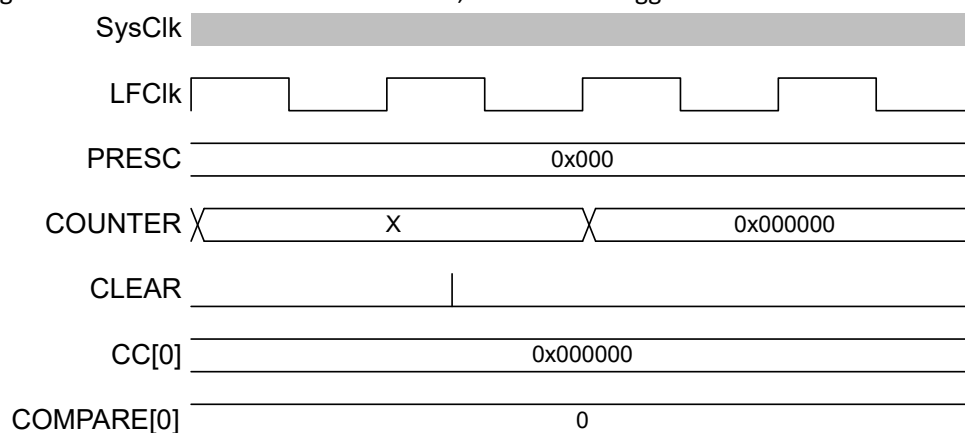


Figure 123: Timing diagram - COMPARE_CLEAR

- If a CC register is N and the COUNTER value is N when the START task is set, this will not trigger a COMPARE event.

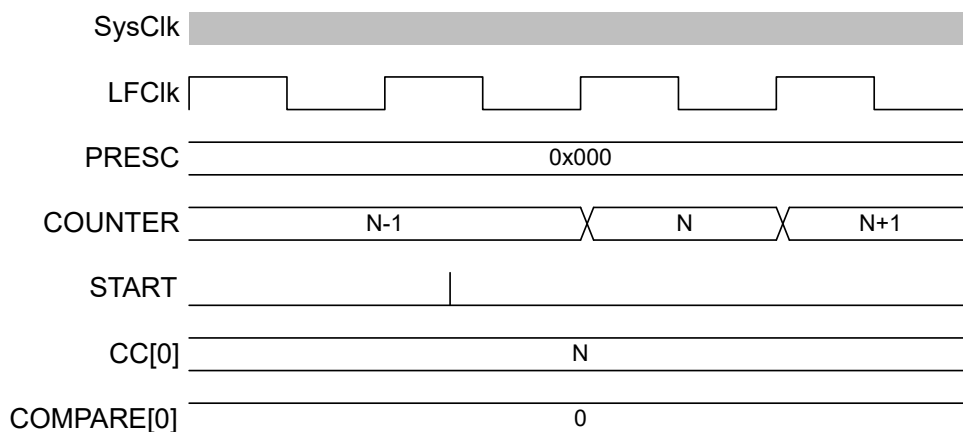


Figure 124: Timing diagram - COMPARE_START

- COMPARE occurs when a CC register is N and the COUNTER value transitions from N-1 to N.

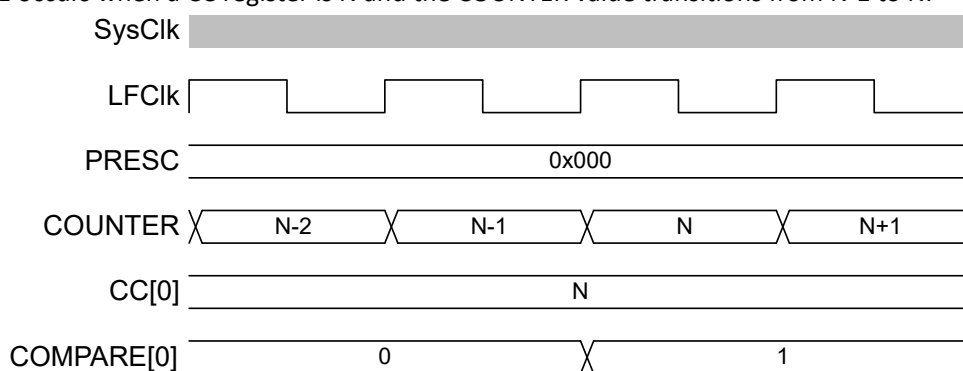


Figure 125: Timing diagram - COMPARE

- If the COUNTER is N, writing N+2 to a CC register is guaranteed to trigger a COMPARE event at N+2.

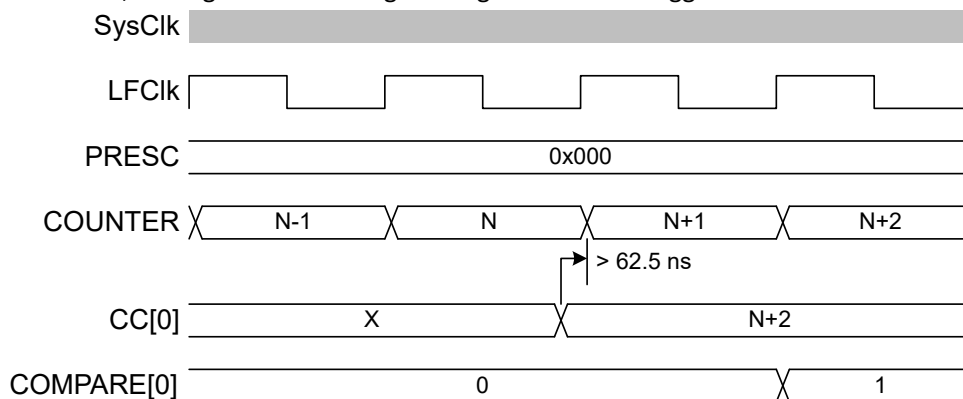


Figure 126: Timing diagram - COMPARE_N+2

- If the COUNTER is N, writing N or N+1 to a CC register may not trigger a COMPARE event.

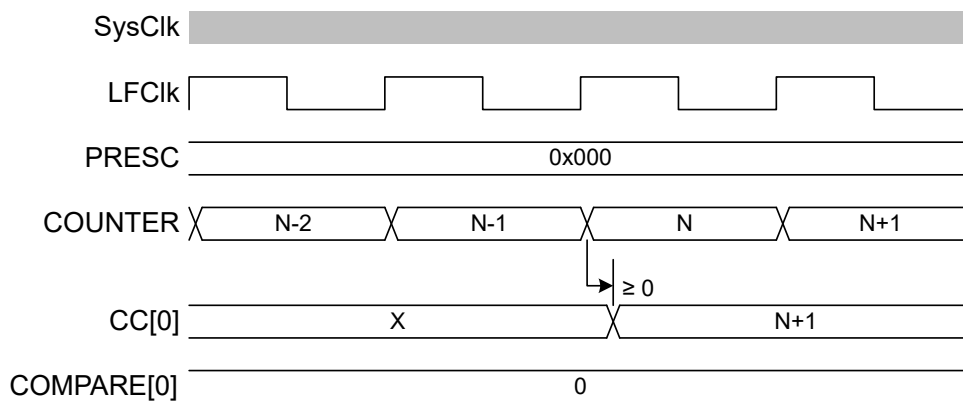


Figure 127: Timing diagram - COMPARE_N+1

- If the COUNTER is N and the current CC register value is N+1 or N+2 when a new CC value is written, a match may trigger on the previous CC value before the new value takes effect. If the current CC value is greater than N+2 when the new value is written, there will be no event due to the old value.

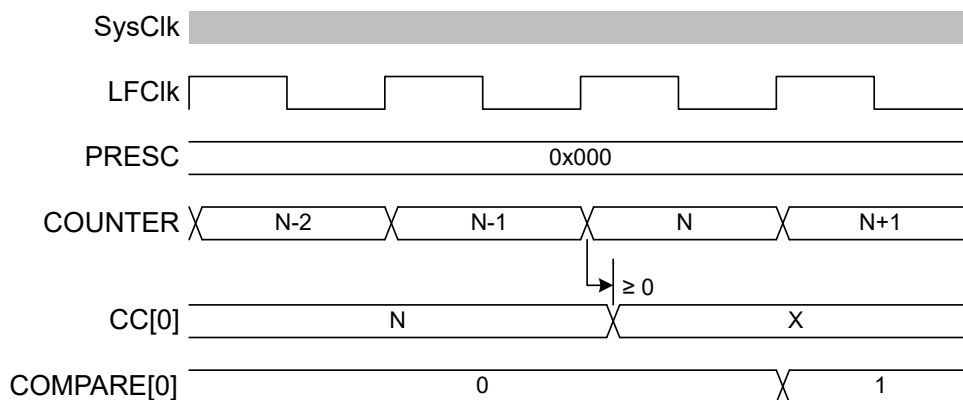


Figure 128: Timing diagram - COMPARE_N-1

6.20.8 TASK and EVENT jitter/delay

Jitter or delay in the RTC is due to the peripheral clock being a low frequency clock (LFCLK) which is not synchronous to the faster PCLK16M.

Registers in the peripheral interface, part of the PCLK16M domain, have a set of mirrored registers in the LFCLK domain. For example, the COUNTER value accessible from the CPU is in the PCLK16M domain and is latched on read from an internal register called COUNTER in the LFCLK domain. COUNTER is the register which is actually modified each time the RTC ticks. These registers must be synchronised between clock domains (PCLK16M and LFCLK).

The following is a summary of the jitter introduced on tasks and events.

Task	Delay
CLEAR, STOP, START, TRIGOVRFLOW	+15 to 46 μ s

Table 90: RTC jitter magnitudes on tasks

Operation/Function	Jitter
START to COUNTER increment	+/- 15 μ s
COMPARE to COMPARE ²²	+/- 62.5 ns

Table 91: RTC jitter magnitudes on events

Note: 32.768 kHz clock jitter is additional to the numbers provided above.

CLEAR and STOP (and TRIGOVFLW; not shown) will be delayed as long as it takes for the peripheral to clock a falling edge and rising of the LFCLK. This is between 15.2585 μ s and 45.7755 μ s – rounded to 15 μ s and 46 μ s for the remainder of the section.

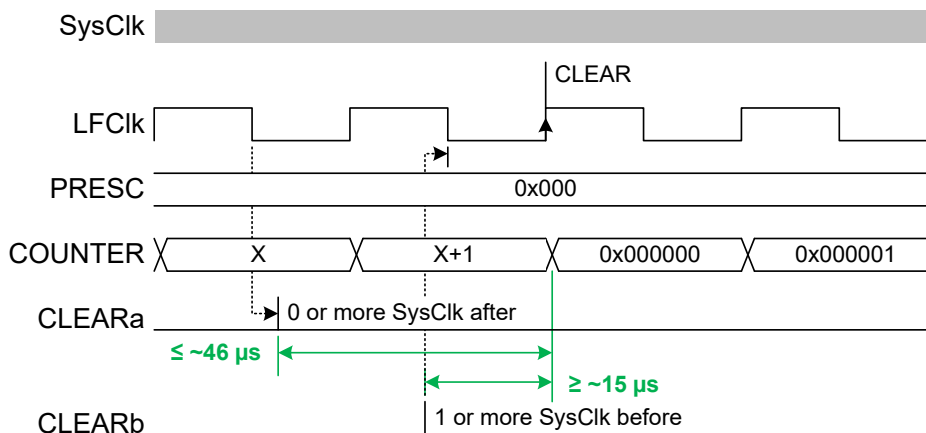


Figure 129: Timing diagram - DELAY_CLEAR

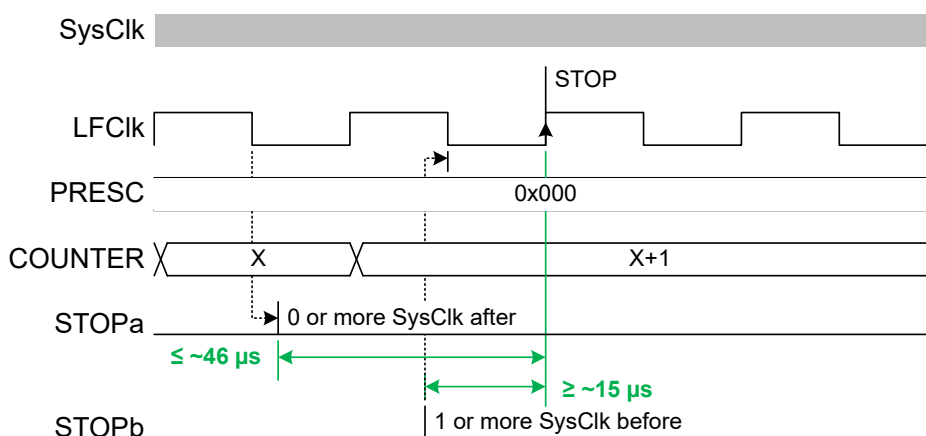


Figure 130: Timing diagram - DELAY_STOP

The START task will start the RTC. Assuming that the LFCLK was previously running and stable, the first increment of COUNTER (and instance of TICK event) will be typically after 30.5 μ s +/- 15 μ s. In some cases, in particular if the RTC is STARTed before the LFCLK is running, that timing can be up to $\sim 250 \mu$ s. The software should therefore wait for the first TICK if it has to make sure the RTC is running. Sending a TRIGOVFLW task sets the COUNTER to a value close to overflow. However, since the update of COUNTER relies on a stable LFCLK, sending this task while LFCLK is not running will start LFCLK, but the update will then be delayed by the same amount of time of up to $\sim 250 \mu$ s. The figures show the shortest and longest delays on the START task which appears as a +/- 15 μ s jitter on the first COUNTER increment.

²² Assumes RTC runs continuously between these events.

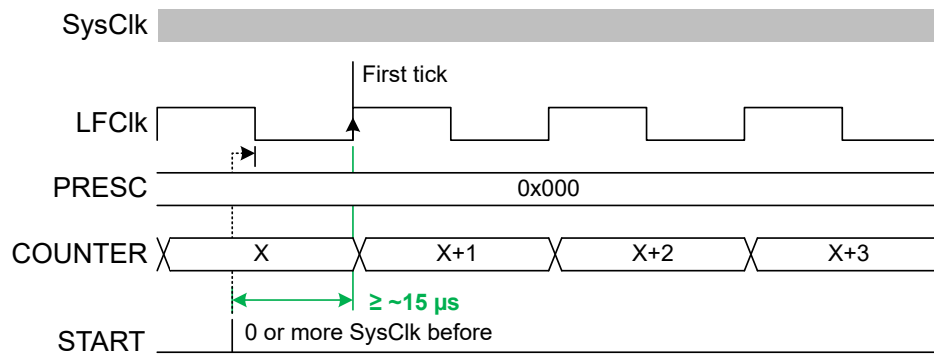


Figure 131: Timing diagram - JITTER_START-

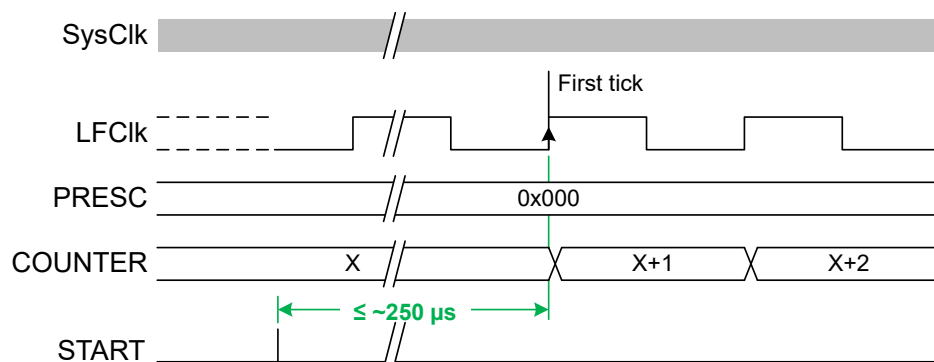


Figure 132: Timing diagram - JITTER_START+

6.20.9 Reading the COUNTER register

To read the COUNTER register, the internal <<COUNTER>> value is sampled.

To ensure that the <<COUNTER>> is safely sampled (considering an LFCLK transition may occur during a read), the CPU and core memory bus are halted for three cycles by lowering the core PREADY signal. The Read takes the CPU 2 cycles in addition resulting in the COUNTER register read taking a fixed five PCLK16M clock cycles.

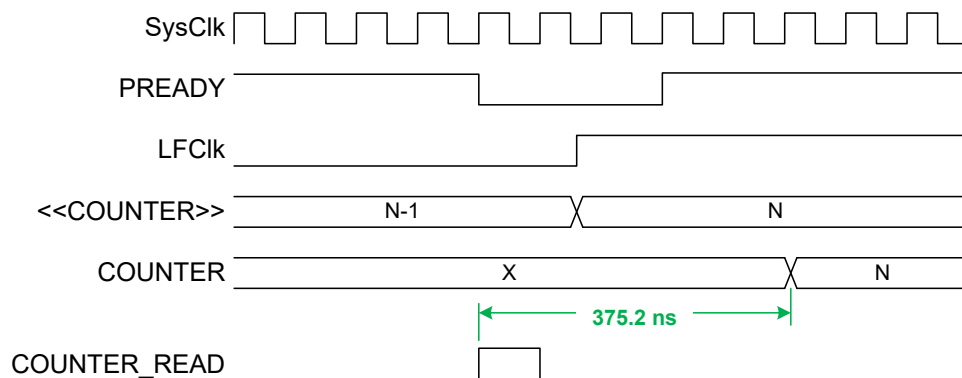


Figure 133: Timing diagram - COUNTER_READ

6.20.10 Registers

Base address	Peripheral	Instance	Description	Configuration
0x4000B000	RTC	RTC0	Real-time counter 0	CC[0..2] implemented, CC[3] not implemented
0x40011000	RTC	RTC1	Real-time counter 1	CC[0..3] implemented
0x40024000	RTC	RTC2	Real-time counter 2	CC[0..3] implemented

Table 92: Instances

Register	Offset	Description
TASKS_START	0x000	Start RTC COUNTER
TASKS_STOP	0x004	Stop RTC COUNTER
TASKS_CLEAR	0x008	Clear RTC COUNTER
TASKS_TRIGOVFLW	0x00C	Set COUNTER to 0xFFFFF0
EVENTS_TICK	0x100	Event on COUNTER increment
EVENTS_OVRFLW	0x104	Event on COUNTER overflow
EVENTS_COMPARE[0]	0x140	Compare event on CC[0] match
EVENTS_COMPARE[1]	0x144	Compare event on CC[1] match
EVENTS_COMPARE[2]	0x148	Compare event on CC[2] match
EVENTS_COMPARE[3]	0x14C	Compare event on CC[3] match
INTENSET	0x304	Enable interrupt
INTENCLR	0x308	Disable interrupt
EVTEN	0x340	Enable or disable event routing
EVTENSET	0x344	Enable event routing
EVTENCLR	0x348	Disable event routing
COUNTER	0x504	Current COUNTER value
PRESCALER	0x508	12 bit prescaler for COUNTER frequency (32768/(PRESCALER+1)). Must be written when RTC is stopped.
CC[0]	0x540	Compare register 0
CC[1]	0x544	Compare register 1
CC[2]	0x548	Compare register 2
CC[3]	0x54C	Compare register 3

Table 93: Register overview

6.20.10.1 TASKS_START

Address offset: 0x000

Start RTC COUNTER

Bit number	31 30 29 28 27 26 25 24 23 22 21 20 19 18 17 16 15 14 13 12 11 10 9 8 7 6 5 4 3 2 1 0																														
ID	A																														
Reset 0x00000000	0 0																														
ID	Acce	Field	Value ID	Value	Description																										
A	W	TASKS_START	Trigger	1	Start RTC COUNTER Trigger task																										

6.20.10.2 TASKS_STOP

Address offset: 0x004

Stop RTC COUNTER

Bit number	31	30	29	28	27	26	25	24	23	22	21	20	19	18	17	16	15	14	13	12	11	10	9	8	7	6	5	4	3	2	1	0
ID																																A
Reset 0x00000000	0 0																															
ID	Acce Field	Value ID	Value	Description																												
A	W TASKS_STOP	Trigger	1	Stop RTC COUNTER Trigger task																												

6.20.10.3 TASKS_CLEAR

Address offset: 0x008

Clear RTC COUNTER

Bit number	31	30	29	28	27	26	25	24	23	22	21	20	19	18	17	16	15	14	13	12	11	10	9	8	7	6	5	4	3	2	1	0
ID																																A
Reset 0x00000000	0 0																															
ID	Acce Field	Value ID	Value	Description																												
A	W TASKS_CLEAR	Trigger	1	Clear RTC COUNTER Trigger task																												

6.20.10.4 TASKS_TRIGOVFLW

Address offset: 0x00C

Set COUNTER to 0xFFFFF0

Bit number	31	30	29	28	27	26	25	24	23	22	21	20	19	18	17	16	15	14	13	12	11	10	9	8	7	6	5	4	3	2	1	0
ID																																A
Reset 0x00000000	0 0																															
ID	Acce Field	Value ID	Value	Description																												
A	W TASKS_TRIGOVFLW	Trigger	1	Set COUNTER to 0xFFFFF0 Trigger task																												

6.20.10.5 EVENTS_TICK

Address offset: 0x100

Event on COUNTER increment

Bit number	31	30	29	28	27	26	25	24	23	22	21	20	19	18	17	16	15	14	13	12	11	10	9	8	7	6	5	4	3	2	1	0
ID																																A
Reset 0x00000000	0 0																															
ID	Acce Field	Value ID	Value	Description																												
A	RW EVENTS_TICK	NotGenerated	0	Event on COUNTER increment Event not generated																												
		Generated	1	Event generated																												

6.20.10.6 EVENTS_OVRFLW

Address offset: 0x104

Event on COUNTER overflow

Bit number	31	30	29	28	27	26	25	24	23	22	21	20	19	18	17	16	15	14	13	12	11	10	9	8	7	6	5	4	3	2	1	0
ID																																A
Reset	0x00000000																															
Reset	0 0																															
ID	Acce Field	Value ID	Value	Description																												
A	RW	EVENTS_OVRFLW		Event on COUNTER overflow																												
			NotGenerated	0	Event not generated																											
			Generated	1	Event generated																											

6.20.10.7 EVENTS_COMPARE[n] (n=0..3)

Address offset: 0x140 + (n × 0x4)

Compare event on CC[n] match

Bit number	31	30	29	28	27	26	25	24	23	22	21	20	19	18	17	16	15	14	13	12	11	10	9	8	7	6	5	4	3	2	1	0
ID																																A
Reset	0x00000000																															
Reset	0 0																															
ID	Acce Field	Value ID	Value	Description																												
A	RW	EVENTS_COMPARE		Compare event on CC[n] match																												
			NotGenerated	0	Event not generated																											
			Generated	1	Event generated																											

6.20.10.8 INTENSET

Address offset: 0x304

Enable interrupt

Bit number	31	30	29	28	27	26	25	24	23	22	21	20	19	18	17	16	15	14	13	12	11	10	9	8	7	6	5	4	3	2	1	0
ID											F	E	D	C											B	A						
Reset	0x00000000																															
Reset	0 0																															
ID	Acce Field	Value ID	Value	Description																												
A	RW	TICK		Write '1' to enable interrupt for event TICK																												
			Set	1	Enable																											
			Disabled	0	Read: Disabled																											
			Enabled	1	Read: Enabled																											
B	RW	OVRFLW		Write '1' to enable interrupt for event OVRFLW																												
			Set	1	Enable																											
			Disabled	0	Read: Disabled																											
			Enabled	1	Read: Enabled																											
C-F	RW	COMPARE[i] (i=0..3)		Write '1' to enable interrupt for event COMPARE[i]																												
			Set	1	Enable																											
			Disabled	0	Read: Disabled																											
			Enabled	1	Read: Enabled																											

6.20.10.9 INTENCLR

Address offset: 0x308

Disable interrupt

Bit number	31 30 29 28 27 26 25 24 23 22 21 20 19 18 17 16 15 14 13 12 11 10 9 8 7 6 5 4 3 2 1 0																														
ID	F E D C																												B A		
Reset 0x00000000	0 0																														
ID	Acce Field	Value ID	Value	Description																											
A	RW TICK			Write '1' to disable interrupt for event TICK																											
		Clear	1	Disable																											
		Disabled	0	Read: Disabled																											
		Enabled	1	Read: Enabled																											
B	RW OVRFLW			Write '1' to disable interrupt for event OVRFLW																											
		Clear	1	Disable																											
		Disabled	0	Read: Disabled																											
		Enabled	1	Read: Enabled																											
C-F	RW COMPARE[i] (i=0..3)			Write '1' to disable interrupt for event COMPARE[i]																											
		Clear	1	Disable																											
		Disabled	0	Read: Disabled																											
		Enabled	1	Read: Enabled																											

6.20.10.10 EVTEN

Address offset: 0x340

Enable or disable event routing

Bit number	31 30 29 28 27 26 25 24 23 22 21 20 19 18 17 16 15 14 13 12 11 10 9 8 7 6 5 4 3 2 1 0																														
ID	F E D C																												B A		
Reset 0x00000000	0 0																														
ID	Acce Field	Value ID	Value	Description																											
A	RW TICK			Enable or disable event routing for event TICK																											
		Disabled	0	Disable																											
		Enabled	1	Disable																											
B	RW OVRFLW			Enable or disable event routing for event OVRFLW																											
		Disabled	0	Disable																											
		Enabled	1	Disable																											
C-F	RW COMPARE[i] (i=0..3)			Enable or disable event routing for event COMPARE[i]																											
		Disabled	0	Disable																											
		Enabled	1	Disable																											

6.20.10.11 EVTENSET

Address offset: 0x344

Enable event routing

Bit number	31 30 29 28 27 26 25 24 23 22 21 20 19 18 17 16 15 14 13 12 11 10 9 8 7 6 5 4 3 2 1 0																														
ID	F E D C																												B A		
Reset 0x00000000	0 0																														
ID	Acce Field	Value ID	Value	Description																											
A	RW TICK			Write '1' to enable event routing for event TICK																											
		Disabled	0	Read: Disabled																											
		Enabled	1	Read: Enabled																											
		Set	1	Enable																											
B	RW OVRFLW			Write '1' to enable event routing for event OVRFLW																											
		Disabled	0	Read: Disabled																											
		Enabled	1	Read: Enabled																											
		Set	1	Enable																											

Bit number	31 30 29 28 27 26 25 24 23 22 21 20 19 18 17 16 15 14 13 12 11 10 9 8 7 6 5 4 3 2 1 0																														
ID	F E D C																												B A		
Reset 0x00000000	0 0																														
ID	Acce Field	Value ID	Value	Description																											
C-F	RW COMPARE[i] (i=0..3)			Write '1' to enable event routing for event COMPARE[i]																											
		Disabled	0	Read: Disabled																											
		Enabled	1	Read: Enabled																											
		Set	1	Enable																											

6.20.10.12 EVTENCLR

Address offset: 0x348

Disable event routing

Bit number	31 30 29 28 27 26 25 24 23 22 21 20 19 18 17 16 15 14 13 12 11 10 9 8 7 6 5 4 3 2 1 0																														
ID	F E D C																												B A		
Reset 0x00000000	0 0																														
ID	Acce Field	Value ID	Value	Description																											
A	RW TICK			Write '1' to disable event routing for event TICK																											
		Disabled	0	Read: Disabled																											
		Enabled	1	Read: Enabled																											
		Clear	1	Disable																											
B	RW OVRFLW			Write '1' to disable event routing for event OVRFLW																											
		Disabled	0	Read: Disabled																											
		Enabled	1	Read: Enabled																											
		Clear	1	Disable																											
C-F	RW COMPARE[i] (i=0..3)			Write '1' to disable event routing for event COMPARE[i]																											
		Disabled	0	Read: Disabled																											
		Enabled	1	Read: Enabled																											
		Clear	1	Disable																											

6.20.10.13 COUNTER

Address offset: 0x504

Current COUNTER value

Bit number	31 30 29 28 27 26 25 24 23 22 21 20 19 18 17 16 15 14 13 12 11 10 9 8 7 6 5 4 3 2 1 0																														
ID	A A																														
Reset 0x00000000	0 0																														
ID	Acce Field	Value ID	Value	Description																											
A	R	COUNTER		Counter value																											

6.20.10.14 PRESCALER

Address offset: 0x508

12 bit prescaler for COUNTER frequency ($32768 / (\text{PRESCALER} + 1)$). Must be written when RTC is stopped.

Bit number	31 30 29 28 27 26 25 24 23 22 21 20 19 18 17 16 15 14 13 12 11 10 9 8 7 6 5 4 3 2 1 0																														
ID	A A																														
Reset 0x00000000	0 0																														
ID	Acce Field	Value ID	Value	Description																											
A	RW	PRESCALER		Prescaler value																											

6.20.10.15 CC[n] (n=0..3)

Address offset: $0x540 + (n \times 0x4)$

Compare register n

Bit number	31	30	29	28	27	26	25	24	23	22	21	20	19	18	17	16	15	14	13	12	11	10	9	8	7	6	5	4	3	2	1	0
ID										A	A	A	A	A	A	A	A	A	A	A	A	A	A	A	A	A	A	A	A	A	A	A
Reset 0x00000000	0	0	0	0	0	0	0	0	0	0	0	0	0	0	0	0	0	0	0	0	0	0	0	0	0	0	0	0	0	0	0	
ID	Acce	Field	Value	ID	Value	Description																										
A	RW	COMPARE				Compare value																										

6.20.11 Electrical specification

6.21 SAADC — Successive approximation analog-to-digital converter

The SAADC is a differential successive approximation register (SAR) analog-to-digital converter. It supports up to eight external analog input channels, depending on package variant.

The following lists the main features of the SAADC:

- Multiple input channels
 - Each channel can use pins AIN0 through AIN7, the VDD pin, or the VDDH pin as input
 - Eight channels for single-ended inputs and four channels for differential inputs
- Full scale input range
- Individual reference selection for each channel
 - VDD
 - Internal reference
- Continuous sampling
- Output samples are automatically written to RAM using EasyDMA
- Samples are stored as 16-bit 2's complement values
- 8/10/12-bit resolution, 14-bit resolution with oversampling

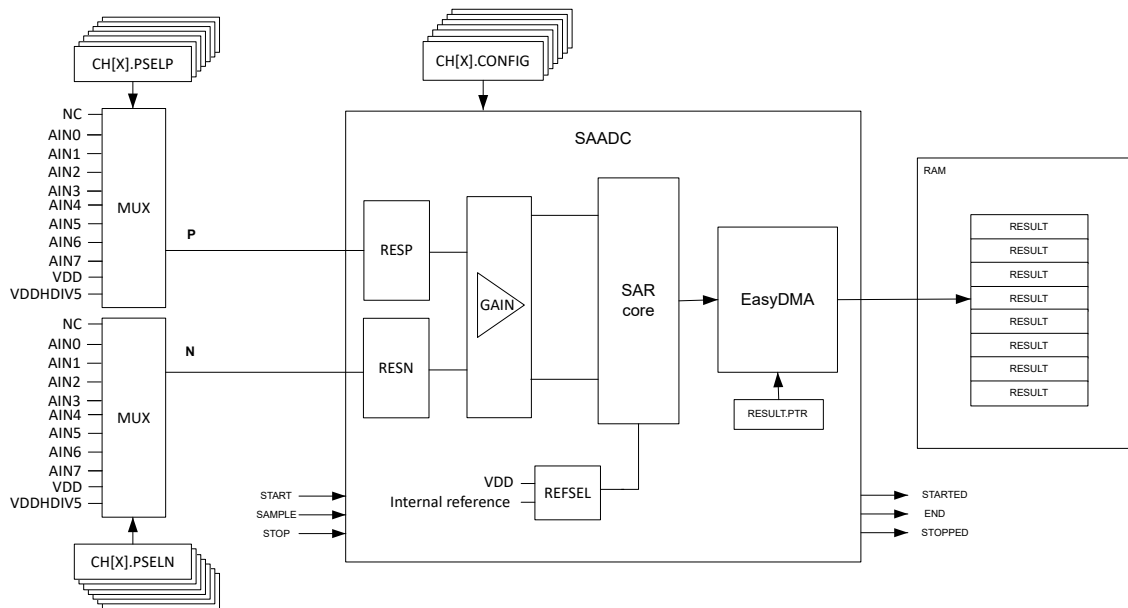


Figure 134: Block diagram

An input channel is enabled and connected to an analog input pin using the registers `CH[n].PSELP` ($n=0..7$) on page 378 and `CH[n].PSELN` ($n=0..7$) on page 378.

Before any sampling can take place, the length and the location of the memory buffer in RAM where output values shall be written need to be configured, and the START task has to be triggered to apply the configuration. See [EasyDMA](#) on page 364 for details on memory configuration and how the results are placed in memory.

Sampling of all enabled channels is started by triggering the SAMPLE task, and the sample results are automatically written to memory using EasyDMA.

When multiple channels are enabled, they are sampled successively in a sequence starting with the lowest channel number. The time it takes to sample all enabled channels is given as follows:

$$\text{Total time} < \text{Sum}(\text{CH}[x].t_{\text{ACQ}} + t_{\text{CONV}}), \text{ x is the number of enabled channels}$$

A DONE event is generated for every single completed conversion, and an END event is generated when multiple samples, as specified in `RESULT.MAXCNT` on page 381, have been written to memory.

6.21.1 Input configuration

Each SAADC channel can be configured to use either single-ended or differential input mode.

The configuration is done using the registers `CH[n].CONFIG` ($n=0..7$) on page 379. In single-ended mode, the negative channel input is shorted to ground internally and the setting in the corresponding register `CH[n].PSELN` ($n=0..7$) on page 378 will not apply. The assumption in single-ended mode is that the internal ground of the SAADC is the same as the external ground that the measured voltage is referred to. The SAADC is thus sensitive to ground bounce on the PCB in single-ended mode. If this is a concern, using differential measurement is recommended. In differential mode, both positive and negative input has to be configured in registers `CH[n].PSELP` ($n=0..7$) on page 378 and `CH[n].PSELN` ($n=0..7$) on page 378 respectively.

6.21.1.1 Acquisition time

To sample input voltage, the SAADC connects a capacitor to the input.

This is illustrated in the following figure:

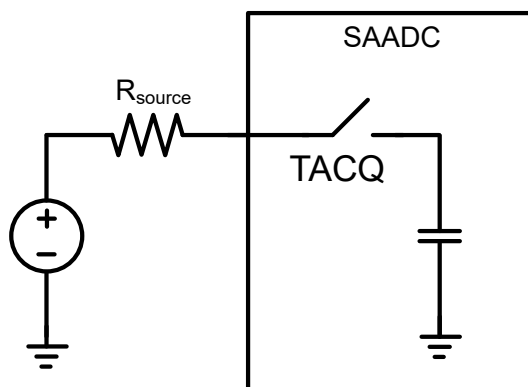


Figure 135: Simplified SAADC sample network

The acquisition time indicates how long the capacitor is connected, see TACQ field in CH[n].CONFIG register. The required acquisition time depends on the source resistance (R_{source}). For high source resistance the acquisition time should be increased:

TACQ [μ s]	Maximum source resistance [k Ω]
3	10
5	40
10	100
15	200
20	400
40	800

Table 94: Acquisition time

When using VDDHDIV5 as input, the acquisition time needs to be 10 μ s or higher.

6.21.1.2 Internal resistor string (resistor ladder)

The SAADC has an internal resistor string for positive and negative input. The resistors are controlled in registers CH[n].CONFIG.RESP and CH[n].CONFIG.RESN.

The following figure illustrates the resistor ladder for positive (and negative) input:

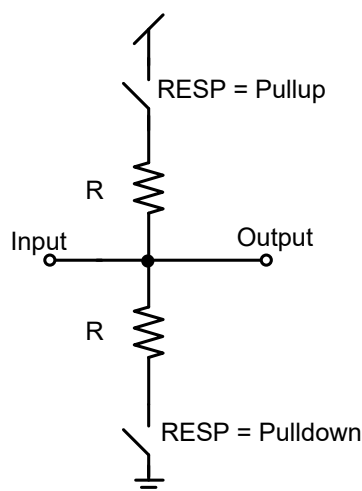


Figure 136: Resistor ladder for positive input (negative input is equivalent, using RESN instead of RESP)

6.21.2 Reference voltage and gain settings

Each SAADC channel can have individual reference and gain settings.

This is configured in registers [CH\[n\].CONFIG \(n=0..7\)](#) on page 379. Available configuration options are:

- VDD/4 or internal 0.6 V reference
- Gain ranging from 1/6 to 4

The gain setting can be used to control the effective input range of the SAADC:

$$\text{Input range} = (\pm 0.6 \text{ V or } \pm \text{VDD}/4) / \text{gain}$$

For example, selecting VDD as reference, single-ended input (grounded negative input), and a gain of 1/4 will result in the following input range:

$$\text{Input range} = (\text{VDD}/4) / (1/4) = \text{VDD}$$

With internal reference, single-ended input (grounded negative input) and a gain of 1/6, the input range will be:

$$\text{Input range} = (0.6 \text{ V}) / (1/6) = 3.6 \text{ V}$$

Inputs AIN0 through AIN7 cannot exceed VDD or be lower than VSS.

6.21.3 Digital output

The digital output value from the SAADC is calculated using a formula.

$$\text{RESULT} = (V(P) - V(N)) * (\text{GAIN}/\text{REFERENCE}) * 2^{(\text{RESOLUTION} - m)}$$

where

V(P)

is the voltage at input P

V(N)

is the voltage at input N

GAIN

is the selected gain

REFERENCE

is the selected reference voltage

RESOLUTION

is output resolution in bits, as configured in register [RESOLUTION](#) on page 380

m

is 0 for single-ended channels

is 1 for differential channels

Results are sign extended to 16 bits and stored as little-endian byte order in RAM.

6.21.4 EasyDMA

The SAADC resources are started by triggering the START task. The SAADC is using EasyDMA to store results in a result buffer in RAM.

Registers [RESULT.PTR](#) on page 381 and [RESULT.MAXCNT](#) on page 381 must be configured before SAADC is started.

The result buffer is located at the address specified in register [RESULT.PTR](#) on page 381. This register is double-buffered, and it can be updated and prepared for the next START task immediately after the STARTED event is generated. The size of the result buffer is specified in register [RESULT.MAXCNT](#) on page 381, and the SAADC will generate an END event when it has filled up the result buffer, as illustrated in the following figure:

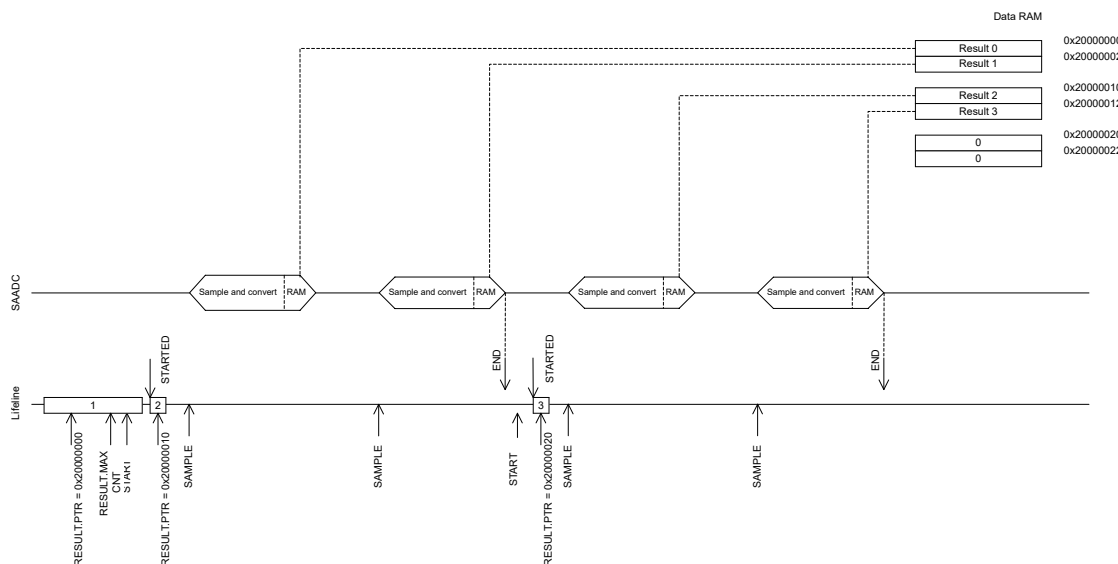


Figure 137: SAADC

The following figure shows how results are placed in RAM when multiple channels are enabled, and value in [RESULT.MAXCNT](#) on page 381 is an even number:

	31	16	15	0
RESULT.PTR	CH[2] 1 st result		CH[1] 1 st result	
RESULT.PTR + 4	CH[1] 2 nd result		CH[5] 1 st result	
RESULT.PTR + 8	CH[5] 2 nd result		CH[2] 2 nd result	
	(...)			
RESULT.PTR + 2*RESULT.MAXCNT - 4	CH[5] last result		CH[2] last result	

Figure 138: Example of RAM placement: [RESULT.MAXCNT](#) even number, channels 1, 2 and 5 enabled

The following figure shows how results are placed in RAM when multiple channels are enabled and value in [RESULT.MAXCNT](#) on page 381 is an odd number:

	31	16	15	0
RESULT.PTR	CH[2] 1 st result		CH[1] 1 st result	
RESULT.PTR + 4	CH[1] 2 nd result		CH[5] 1 st result	
RESULT.PTR + 8	CH[5] 2 nd result		CH[2] 2 nd result	
	(...)			
RESULT.PTR + 2*RESULT.MAXCNT - 2				CH[5] last result

Figure 139: Example of RAM placement: [RESULT.MAXCNT](#) odd number, channels 1, 2 and 5 enabled

The last 32-bit word is populated only with one 16-bit result. In both examples, channels 1, 2 and 5 are enabled, and all others are disabled.

See [Memory](#) on page 19 for more information about the different memory regions.

EasyDMA is finished with accessing RAM when events END or STOPPED are generated. The register [RESULT.AMOUNT](#) on page 382 can then be read, to see how many results have been transferred to the result buffer in RAM since the START task was triggered.

6.21.5 Continuous sampling

When using continuous sampling, new samples are automatically taken at a fixed sample rate.

Continuous sampling of both single and multiple channels can be implemented using a general purpose timer connecting a timer event to SAADC's SAMPLE task via PPI.

Alternatively, continuous sampling can be implemented by using the internal timer in the SAADC by setting the MODE field in register [SAMPLERATE](#) on page 381 to `Timers`. The sample rate (frequency at which the SAMPLE task is triggered) is configured in the same register. The internal timer and the continuous sampling are started by triggering the START task and stopped using the STOP task.

Note: Note that the internal timer can only be used when a single input channel is enabled.

For continuous sampling, ensure that the sample rate fullfills the following criteria:

$$f_{\text{SAMPLE}} < 1 / [\tau_{\text{ACQ}} + \tau_{\text{conv}}]$$

6.21.6 Oversampling

An accumulator in the SAADC can be used to find the average of several analog input samples. In general, oversampling improves the signal-to-noise ratio (SNR). Oversampling does not improve the integral non-linearity (INL) or differential non-linearity (DNL).

The accumulator is controlled in the [OVERSAMPLE](#) register. When using oversampling, $2^{\text{OVERSAMPLE}}$ input samples are averaged before the sample result is transferred to memory. Hence, the SAMPLE task must be triggered $2^{\text{OVERSAMPLE}}$ times for each output value. The following events are relevant:

- DONE event is generated for every input sample taken
- RESULTDONE event is generated for every averaged value ready to be transferred into RAM
- END event is generated when averaged values defined in [RESULT.MAXCNT](#) on page 381 have been written to memory. END event is generated every $2^{\text{OVERSAMPLE}}$ time the DONE event is generated.

If value in [OVERSAMPLE](#) is set to 0, the DONE and RESULTDONE events will be generated at the same rate.

Note: Oversampling should only be used when a single input channel is enabled, as averaging is performed over all enabled channels.

6.21.7 Event monitoring using limits

A channel can be event monitored by using limits.

Limits are configured in [CH\[n\].LIMIT](#) register, with high limit and low limit.

Note: High limit shall always be higher than or equal to low limit.

Appropriate events are generated whenever the conversion results (sampled input signals) are outside of the two defined limits. It is not possible to generate an event when the input signal is inside a defined range by swapping high and low limits. An example of event monitoring using limits is illustrated in the following figure:

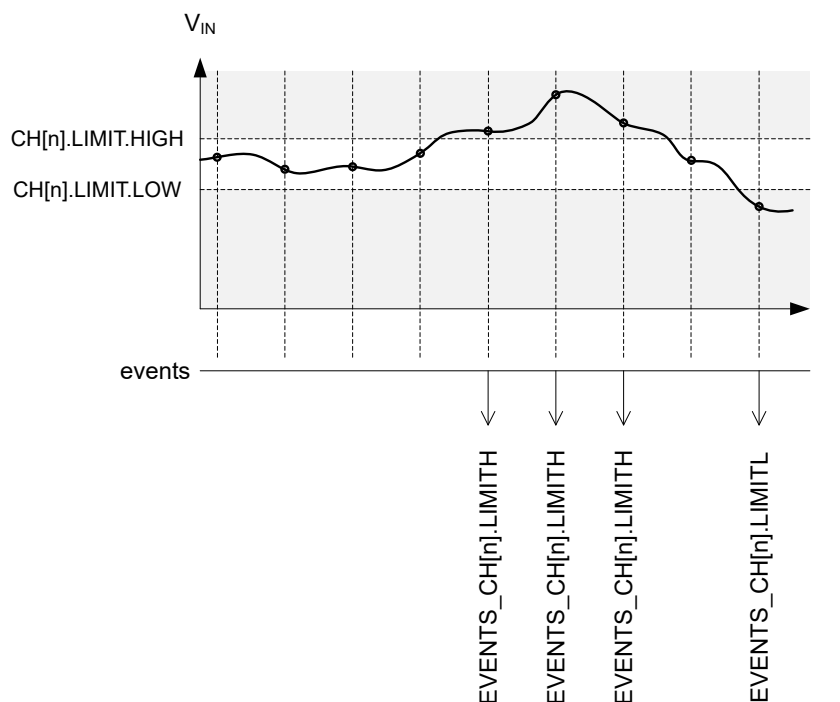


Figure 140: Example: Event monitoring on channel n using limits

The comparison to limits always takes place, it does not need to be specifically enabled. If comparison is not required on a channel, the software ignores the related events. In that situation, the value of the limits defined in register is irrelevant, i.e. it does not matter if the low limit is lower than the high limit or not.

6.21.8 Calibration

The SAADC has a temperature dependent offset.

Therefore, it is recommended to calibrate the SAADC at least once before use, and to re-run calibration every time the ambient temperature has changed by more than 10 °C.

Offset calibration is started by triggering the CALIBRATEOFFSET task, and the CALIBRATEDONE event is generated when calibration is done.

6.21.9 Registers

Base address	Peripheral	Instance	Description	Configuration
0x40007000	SAADC	SAADC	Analog to digital converter	

Table 95: Instances

Register	Offset	Description
TASKS_START	0x000	Starts the SAADC and prepares the result buffer in RAM
TASKS_SAMPLE	0x004	Takes one SAADC sample
TASKS_STOP	0x008	Stops the SAADC and terminates all on-going conversions
TASKS_CALIBRATEOFFSET	0x00C	Starts offset auto-calibration
EVENTS_STARTED	0x100	The SAADC has started
EVENTS_END	0x104	The SAADC has filled up the result buffer
EVENTS_DONE	0x108	A conversion task has been completed. Depending on the configuration, multiple conversions might be needed for a result to be transferred to RAM.
EVENTS_RESULTDONE	0x10C	Result ready for transfer to RAM

Register	Offset	Description
EVENTS_CALIBRATEDONE	0x110	Calibration is complete
EVENTS_STOPPED	0x114	The SAADC has stopped
EVENTS_CH[0].LIMITH	0x118	Last result is equal or above CH[0].LIMIT.HIGH
EVENTS_CH[0].LIMITL	0x11C	Last result is equal or below CH[0].LIMIT.LOW
EVENTS_CH[1].LIMITH	0x120	Last result is equal or above CH[1].LIMIT.HIGH
EVENTS_CH[1].LIMITL	0x124	Last result is equal or below CH[1].LIMIT.LOW
EVENTS_CH[2].LIMITH	0x128	Last result is equal or above CH[2].LIMIT.HIGH
EVENTS_CH[2].LIMITL	0x12C	Last result is equal or below CH[2].LIMIT.LOW
EVENTS_CH[3].LIMITH	0x130	Last result is equal or above CH[3].LIMIT.HIGH
EVENTS_CH[3].LIMITL	0x134	Last result is equal or below CH[3].LIMIT.LOW
EVENTS_CH[4].LIMITH	0x138	Last result is equal or above CH[4].LIMIT.HIGH
EVENTS_CH[4].LIMITL	0x13C	Last result is equal or below CH[4].LIMIT.LOW
EVENTS_CH[5].LIMITH	0x140	Last result is equal or above CH[5].LIMIT.HIGH
EVENTS_CH[5].LIMITL	0x144	Last result is equal or below CH[5].LIMIT.LOW
EVENTS_CH[6].LIMITH	0x148	Last result is equal or above CH[6].LIMIT.HIGH
EVENTS_CH[6].LIMITL	0x14C	Last result is equal or below CH[6].LIMIT.LOW
EVENTS_CH[7].LIMITH	0x150	Last result is equal or above CH[7].LIMIT.HIGH
EVENTS_CH[7].LIMITL	0x154	Last result is equal or below CH[7].LIMIT.LOW
INTEN	0x300	Enable or disable interrupt
INTENSET	0x304	Enable interrupt
INTENCLR	0x308	Disable interrupt
STATUS	0x400	Status
ENABLE	0x500	Enable or disable SAADC
CH[0].PSELPL	0x510	Input positive pin selection for CH[0]
CH[0].PSELNL	0x514	Input negative pin selection for CH[0]
CH[0].CONFIG	0x518	Input configuration for CH[0]
CH[0].LIMIT	0x51C	High/low limits for event monitoring of a channel
CH[1].PSELPL	0x520	Input positive pin selection for CH[1]
CH[1].PSELNL	0x524	Input negative pin selection for CH[1]
CH[1].CONFIG	0x528	Input configuration for CH[1]
CH[1].LIMIT	0x52C	High/low limits for event monitoring of a channel
CH[2].PSELPL	0x530	Input positive pin selection for CH[2]
CH[2].PSELNL	0x534	Input negative pin selection for CH[2]
CH[2].CONFIG	0x538	Input configuration for CH[2]
CH[2].LIMIT	0x53C	High/low limits for event monitoring of a channel
CH[3].PSELPL	0x540	Input positive pin selection for CH[3]
CH[3].PSELNL	0x544	Input negative pin selection for CH[3]
CH[3].CONFIG	0x548	Input configuration for CH[3]
CH[3].LIMIT	0x54C	High/low limits for event monitoring of a channel
CH[4].PSELPL	0x550	Input positive pin selection for CH[4]
CH[4].PSELNL	0x554	Input negative pin selection for CH[4]
CH[4].CONFIG	0x558	Input configuration for CH[4]
CH[4].LIMIT	0x55C	High/low limits for event monitoring of a channel
CH[5].PSELPL	0x560	Input positive pin selection for CH[5]
CH[5].PSELNL	0x564	Input negative pin selection for CH[5]
CH[5].CONFIG	0x568	Input configuration for CH[5]
CH[5].LIMIT	0x56C	High/low limits for event monitoring of a channel
CH[6].PSELPL	0x570	Input positive pin selection for CH[6]
CH[6].PSELNL	0x574	Input negative pin selection for CH[6]
CH[6].CONFIG	0x578	Input configuration for CH[6]
CH[6].LIMIT	0x57C	High/low limits for event monitoring of a channel
CH[7].PSELPL	0x580	Input positive pin selection for CH[7]
CH[7].PSELNL	0x584	Input negative pin selection for CH[7]

Register	Offset	Description
CH[7].CONFIG	0x588	Input configuration for CH[7]
CH[7].LIMIT	0x58C	High/low limits for event monitoring of a channel
RESOLUTION	0x5F0	Resolution configuration
OVERSAMPLE	0x5F4	Oversampling configuration. The RESOLUTION is applied before averaging, thus for high OVERSAMPLE a higher RESOLUTION should be used.
SAMPLERATE	0x5F8	Controls normal or continuous sample rate
RESULT.PTR	0x62C	Data pointer
RESULT.MAXCNT	0x630	Maximum number of 16-bit samples to be written to output RAM buffer
RESULT.AMOUNT	0x634	Number of 16-bit samples written to output RAM buffer since the previous START task

Table 96: Register overview

6.21.9.1 TASKS_START

Address offset: 0x000

Starts the SAADC and prepares the result buffer in RAM

Bit number	31	30	29	28	27	26	25	24	23	22	21	20	19	18	17	16	15	14	13	12	11	10	9	8	7	6	5	4	3	2	1	0
ID																																A
Reset 0x00000000	0																															
ID	Acce Field	Value ID	Value	Description																												
A	W	TASKS_START		Starts the SAADC and prepares the result buffer in RAM																												
		Trigger	1	Trigger task																												

6.21.9.2 TASKS_SAMPLE

Address offset: 0x004

Takes one SAADC sample

Bit number	31	30	29	28	27	26	25	24	23	22	21	20	19	18	17	16	15	14	13	12	11	10	9	8	7	6	5	4	3	2	1	0
ID																																A
Reset 0x00000000	0																															
ID	Acce Field	Value ID	Value	Description																												
A	W	TASKS_SAMPLE		Takes one SAADC sample																												
		Trigger	1	Trigger task																												

6.21.9.3 TASKS_STOP

Address offset: 0x008

Stops the SAADC and terminates all on-going conversions

Bit number	31	30	29	28	27	26	25	24	23	22	21	20	19	18	17	16	15	14	13	12	11	10	9	8	7	6	5	4	3	2	1	0
ID																																A
Reset 0x00000000	0																															
ID	Acce Field	Value ID	Value	Description																												
A	W	TASKS_STOP		Stops the SAADC and terminates all on-going conversions																												
		Trigger	1	Trigger task																												

6.21.9.4 TASKS_CALIBRATEOFFSET

Address offset: 0x00C

Starts offset auto-calibration

Bit number	31 30 29 28 27 26 25 24 23 22 21 20 19 18 17 16 15 14 13 12 11 10 9 8 7 6 5 4 3 2 1 0																														
ID	A																														
Reset 0x00000000	0 0																														
ID	Acce Field	Value ID	Value	Description																											
A	W TASKS_CALIBRATEOFFSET			Starts offset auto-calibration																											
		Trigger	1	Trigger task																											

6.21.9.5 EVENTS_STARTED

Address offset: 0x100

The SAADC has started

Bit number	31 30 29 28 27 26 25 24 23 22 21 20 19 18 17 16 15 14 13 12 11 10 9 8 7 6 5 4 3 2 1 0																														
ID	A																														
Reset 0x00000000	0 0																														
ID	Acce Field	Value ID	Value	Description																											
A	RW EVENTS_STARTED			The SAADC has started																											
		NotGenerated	0	Event not generated																											
		Generated	1	Event generated																											

6.21.9.6 EVENTS_END

Address offset: 0x104

The SAADC has filled up the result buffer

Bit number	31 30 29 28 27 26 25 24 23 22 21 20 19 18 17 16 15 14 13 12 11 10 9 8 7 6 5 4 3 2 1 0																														
ID	A																														
Reset 0x00000000	0 0																														
ID	Acce Field	Value ID	Value	Description																											
A	RW EVENTS_END			The SAADC has filled up the result buffer																											
		NotGenerated	0	Event not generated																											
		Generated	1	Event generated																											

6.21.9.7 EVENTS_DONE

Address offset: 0x108

A conversion task has been completed. Depending on the configuration, multiple conversions might be needed for a result to be transferred to RAM.

Bit number	31 30 29 28 27 26 25 24 23 22 21 20 19 18 17 16 15 14 13 12 11 10 9 8 7 6 5 4 3 2 1 0																														
ID	A																														
Reset 0x00000000	0 0																														
ID	Acce Field	Value ID	Value	Description																											
A	RW EVENTS_DONE			A conversion task has been completed. Depending on the configuration, multiple conversions might be needed for a result to be transferred to RAM.																											
		NotGenerated	0	Event not generated																											
		Generated	1	Event generated																											

6.21.9.8 EVENTS_RESULTDONE

Address offset: 0x10C

Result ready for transfer to RAM

Bit number	31 30 29 28 27 26 25 24 23 22 21 20 19 18 17 16 15 14 13 12 11 10 9 8 7 6 5 4 3 2 1 0																														
ID	A																														
Reset 0x00000000	0 0																														
ID	Acce Field	Value ID	Value	Description																											
A	RW	EVENTS_RESULTDONE		Result ready for transfer to RAM																											
		NotGenerated	0	Event not generated																											
		Generated	1	Event generated																											

6.21.9.9 EVENTS_CALIBRATEDONE

Address offset: 0x110

Calibration is complete

Bit number	31 30 29 28 27 26 25 24 23 22 21 20 19 18 17 16 15 14 13 12 11 10 9 8 7 6 5 4 3 2 1 0																														
ID	A																														
Reset 0x00000000	0 0																														
ID	Acce Field	Value ID	Value	Description																											
A	RW	EVENTS_CALIBRATEDONE		Calibration is complete																											
		NotGenerated	0	Event not generated																											
		Generated	1	Event generated																											

6.21.9.10 EVENTS_STOPPED

Address offset: 0x114

The SAADC has stopped

Bit number	31 30 29 28 27 26 25 24 23 22 21 20 19 18 17 16 15 14 13 12 11 10 9 8 7 6 5 4 3 2 1 0																														
ID	A																														
Reset 0x00000000	0 0																														
ID	Acce Field	Value ID	Value	Description																											
A	RW	EVENTS_STOPPED		The SAADC has stopped																											
		NotGenerated	0	Event not generated																											
		Generated	1	Event generated																											

6.21.9.11 EVENTS_CH[n].LIMITH (n=0..7)

Address offset: 0x118 + (n × 0x8)

Last result is equal or above CH[n].LIMIT.HIGH

Bit number	31	30	29	28	27	26	25	24	23	22	21	20	19	18	17	16	15	14	13	12	11	10	9	8	7	6	5	4	3	2	1	0
ID																																A
Reset 0x00000000	0 0																															
ID	Acce Field	Value ID	Value	Description																												
A	RW LIMITH			Last result is equal or above CH[n].LIMIT.HIGH																												
		NotGenerated	0	Event not generated																												
		Generated	1	Event generated																												

6.21.9.12 EVENTS_CH[n].LIMITL (n=0..7)

Address offset: 0x11C + (n × 0x8)

Last result is equal or below CH[n].LIMIT.LOW

Bit number	31	30	29	28	27	26	25	24	23	22	21	20	19	18	17	16	15	14	13	12	11	10	9	8	7	6	5	4	3	2	1	0
ID																																A
Reset 0x00000000	0 0																															
ID	Acce Field	Value ID	Value	Description																												
A	RW LIMITL			Last result is equal or below CH[n].LIMIT.LOW																												
		NotGenerated	0	Event not generated																												
		Generated	1	Event generated																												

6.21.9.13 INTEN

Address offset: 0x300

Enable or disable interrupt

Bit number	31	30	29	28	27	26	25	24	23	22	21	20	19	18	17	16	15	14	13	12	11	10	9	8	7	6	5	4	3	2	1	0					
ID																V	U	T	S	R	Q	P	O	N	M	L	K	J	I	H	G	F	E	D	C	B	A
Reset 0x00000000	0 0																																				
ID	Acce Field	Value ID	Value	Description																																	
A	RW STARTED			Enable or disable interrupt for event STARTED																																	
		Disabled	0	Disable																																	
		Enabled	1	Enable																																	
B	RW END			Enable or disable interrupt for event END																																	
		Disabled	0	Disable																																	
		Enabled	1	Enable																																	
C	RW DONE			Enable or disable interrupt for event DONE																																	
		Disabled	0	Disable																																	
		Enabled	1	Enable																																	
D	RW RESULTDONE			Enable or disable interrupt for event RESULTDONE																																	
		Disabled	0	Disable																																	
		Enabled	1	Enable																																	
E	RW CALIBRATEDONE			Enable or disable interrupt for event CALIBRATEDONE																																	
		Disabled	0	Disable																																	
		Enabled	1	Enable																																	
F	RW STOPPED			Enable or disable interrupt for event STOPPED																																	
		Disabled	0	Disable																																	
		Enabled	1	Enable																																	
G	RW CHOLIMITH			Enable or disable interrupt for event CHOLIMITH																																	
		Disabled	0	Disable																																	
		Enabled	1	Enable																																	
H	RW CHOLIMITL			Enable or disable interrupt for event CHOLIMITL																																	
		Disabled	0	Disable																																	

Bit number		31 30 29 28 27 26 25 24 23 22 21 20 19 18 17 16 15 14 13 12 11 10 9 8 7 6 5 4 3 2 1 0																											
ID		V U T S R Q P O N M L K J I H G F E D C B A																											
Reset 0x00000000		0 0																											
ID	Acce Field	Value ID	Value	Description																									
I	RW CH1LIMITH	Enabled	1	Enable																									
		Disabled	0	Disable																									
		Enabled	1	Enable																									
J	RW CH1LIMITL	Disabled	0	Disable																									
		Enabled	1	Enable																									
		Enabled	1	Enable																									
K	RW CH2LIMITH	Disabled	0	Disable																									
		Enabled	1	Enable																									
		Enabled	1	Enable																									
L	RW CH2LIMITL	Disabled	0	Disable																									
		Enabled	1	Enable																									
		Enabled	1	Enable																									
M	RW CH3LIMITH	Disabled	0	Disable																									
		Enabled	1	Enable																									
		Enabled	1	Enable																									
N	RW CH3LIMITL	Disabled	0	Disable																									
		Enabled	1	Enable																									
		Enabled	1	Enable																									
O	RW CH4LIMITH	Disabled	0	Disable																									
		Enabled	1	Enable																									
		Enabled	1	Enable																									
P	RW CH4LIMITL	Disabled	0	Disable																									
		Enabled	1	Enable																									
		Enabled	1	Enable																									
Q	RW CH5LIMITH	Disabled	0	Disable																									
		Enabled	1	Enable																									
		Enabled	1	Enable																									
R	RW CH5LIMITL	Disabled	0	Disable																									
		Enabled	1	Enable																									
		Enabled	1	Enable																									
S	RW CH6LIMITH	Disabled	0	Disable																									
		Enabled	1	Enable																									
		Enabled	1	Enable																									
T	RW CH6LIMITL	Disabled	0	Disable																									
		Enabled	1	Enable																									
		Enabled	1	Enable																									
U	RW CH7LIMITH	Disabled	0	Disable																									
		Enabled	1	Enable																									
		Enabled	1	Enable																									
V	RW CH7LIMITL	Disabled	0	Disable																									
		Enabled	1	Enable																									
		Enabled	1	Enable																									

6.21.9.14 INTENSET

Address offset: 0x304

Enable interrupt

Bit number	31	30	29	28	27	26	25	24	23	22	21	20	19	18	17	16	15	14	13	12	11	10	9	8	7	6	5	4	3	2	1	0																
ID																	V	U	T	S	R	Q	P	O	N	M	L	K	J	I	H	G	F	E	D	C	B	A										
Reset 0x00000000	0																0	0	0	0	0	0	0	0	0	0	0	0	0	0	0	0	0	0	0	0	0	0	0	0	0	0	0	0	0	0	0	0

ID	Acce Field	Value ID	Value	Description
A	RW STARTED			Write '1' to enable interrupt for event STARTED
		Set	1	Enable
		Disabled	0	Read: Disabled
		Enabled	1	Read: Enabled
B	RW END			Write '1' to enable interrupt for event END
		Set	1	Enable
		Disabled	0	Read: Disabled
		Enabled	1	Read: Enabled
C	RW DONE			Write '1' to enable interrupt for event DONE
		Set	1	Enable
		Disabled	0	Read: Disabled
		Enabled	1	Read: Enabled
D	RW RESULTDONE			Write '1' to enable interrupt for event RESULTDONE
		Set	1	Enable
		Disabled	0	Read: Disabled
		Enabled	1	Read: Enabled
E	RW CALIBRATEDONE			Write '1' to enable interrupt for event CALIBRATEDONE
		Set	1	Enable
		Disabled	0	Read: Disabled
		Enabled	1	Read: Enabled
F	RW STOPPED			Write '1' to enable interrupt for event STOPPED
		Set	1	Enable
		Disabled	0	Read: Disabled
		Enabled	1	Read: Enabled
G	RW CHOLIMITH			Write '1' to enable interrupt for event CHOLIMITH
		Set	1	Enable
		Disabled	0	Read: Disabled
		Enabled	1	Read: Enabled
H	RW CHOLIMITL			Write '1' to enable interrupt for event CHOLIMITL
		Set	1	Enable
		Disabled	0	Read: Disabled
		Enabled	1	Read: Enabled
I	RW CH1LIMITH			Write '1' to enable interrupt for event CH1LIMITH
		Set	1	Enable
		Disabled	0	Read: Disabled
		Enabled	1	Read: Enabled
J	RW CH1LIMITL			Write '1' to enable interrupt for event CH1LIMITL
		Set	1	Enable
		Disabled	0	Read: Disabled
		Enabled	1	Read: Enabled
K	RW CH2LIMITH			Write '1' to enable interrupt for event CH2LIMITH
		Set	1	Enable
		Disabled	0	Read: Disabled
		Enabled	1	Read: Enabled
L	RW CH2LIMITL			Write '1' to enable interrupt for event CH2LIMITL
		Set	1	Enable
		Disabled	0	Read: Disabled
		Enabled	1	Read: Enabled
M	RW CH3LIMITH			Write '1' to enable interrupt for event CH3LIMITH
		Set	1	Enable

Bit number		31 30 29 28 27 26 25 24 23 22 21 20 19 18 17 16 15 14 13 12 11 10 9 8 7 6 5 4 3 2 1 0																														
ID		V U T S R Q P O N M L K J I H G F E D C B A																														
Reset 0x00000000		0 0																														
ID	Acce Field	Value ID	Value	Description																												
		Disabled	0	Read: Disabled																												
		Enabled	1	Read: Enabled																												
N	RW CH3LIMITL			Write '1' to enable interrupt for event CH3LIMITL																												
		Set	1	Enable																												
		Disabled	0	Read: Disabled																												
		Enabled	1	Read: Enabled																												
O	RW CH4LIMITH			Write '1' to enable interrupt for event CH4LIMITH																												
		Set	1	Enable																												
		Disabled	0	Read: Disabled																												
		Enabled	1	Read: Enabled																												
P	RW CH4LIMITL			Write '1' to enable interrupt for event CH4LIMITL																												
		Set	1	Enable																												
		Disabled	0	Read: Disabled																												
		Enabled	1	Read: Enabled																												
Q	RW CH5LIMITH			Write '1' to enable interrupt for event CH5LIMITH																												
		Set	1	Enable																												
		Disabled	0	Read: Disabled																												
		Enabled	1	Read: Enabled																												
R	RW CH5LIMITL			Write '1' to enable interrupt for event CH5LIMITL																												
		Set	1	Enable																												
		Disabled	0	Read: Disabled																												
		Enabled	1	Read: Enabled																												
S	RW CH6LIMITH			Write '1' to enable interrupt for event CH6LIMITH																												
		Set	1	Enable																												
		Disabled	0	Read: Disabled																												
		Enabled	1	Read: Enabled																												
T	RW CH6LIMITL			Write '1' to enable interrupt for event CH6LIMITL																												
		Set	1	Enable																												
		Disabled	0	Read: Disabled																												
		Enabled	1	Read: Enabled																												
U	RW CH7LIMITH			Write '1' to enable interrupt for event CH7LIMITH																												
		Set	1	Enable																												
		Disabled	0	Read: Disabled																												
		Enabled	1	Read: Enabled																												
V	RW CH7LIMITL			Write '1' to enable interrupt for event CH7LIMITL																												
		Set	1	Enable																												
		Disabled	0	Read: Disabled																												
		Enabled	1	Read: Enabled																												

6.21.9.15 INTENCLR

Address offset: 0x308

Disable interrupt

Bit number		31 30 29 28 27 26 25 24 23 22 21 20 19 18 17 16 15 14 13 12 11 10 9 8 7 6 5 4 3 2 1 0																														
ID		V U T S R Q P O N M L K J I H G F E D C B A																														
Reset 0x00000000		0 0																														
ID	Acce Field	Value ID	Value	Description																												
A	RW STARTED			Write '1' to disable interrupt for event STARTED																												

Bit number		31 30 29 28 27 26 25 24 23 22 21 20 19 18 17 16 15 14 13 12 11 10 9 8 7 6 5 4 3 2 1 0																											
ID		V U T S R Q P O N M L K J I H G F E D C B A																											
Reset 0x00000000		0 0																											
ID	Acce Field	Value ID	Value	Description																									
		Clear	1	Disable																									
		Disabled	0	Read: Disabled																									
		Enabled	1	Read: Enabled																									
B	RW END			Write '1' to disable interrupt for event END																									
		Clear	1	Disable																									
		Disabled	0	Read: Disabled																									
		Enabled	1	Read: Enabled																									
C	RW DONE			Write '1' to disable interrupt for event DONE																									
		Clear	1	Disable																									
		Disabled	0	Read: Disabled																									
		Enabled	1	Read: Enabled																									
D	RW RESULTDONE			Write '1' to disable interrupt for event RESULTDONE																									
		Clear	1	Disable																									
		Disabled	0	Read: Disabled																									
		Enabled	1	Read: Enabled																									
E	RW CALIBRATEDONE			Write '1' to disable interrupt for event CALIBRATEDONE																									
		Clear	1	Disable																									
		Disabled	0	Read: Disabled																									
		Enabled	1	Read: Enabled																									
F	RW STOPPED			Write '1' to disable interrupt for event STOPPED																									
		Clear	1	Disable																									
		Disabled	0	Read: Disabled																									
		Enabled	1	Read: Enabled																									
G	RW CH0LIMITH			Write '1' to disable interrupt for event CH0LIMITH																									
		Clear	1	Disable																									
		Disabled	0	Read: Disabled																									
		Enabled	1	Read: Enabled																									
H	RW CH0LIMITL			Write '1' to disable interrupt for event CH0LIMITL																									
		Clear	1	Disable																									
		Disabled	0	Read: Disabled																									
		Enabled	1	Read: Enabled																									
I	RW CH1LIMITH			Write '1' to disable interrupt for event CH1LIMITH																									
		Clear	1	Disable																									
		Disabled	0	Read: Disabled																									
		Enabled	1	Read: Enabled																									
J	RW CH1LIMITL			Write '1' to disable interrupt for event CH1LIMITL																									
		Clear	1	Disable																									
		Disabled	0	Read: Disabled																									
		Enabled	1	Read: Enabled																									
K	RW CH2LIMITH			Write '1' to disable interrupt for event CH2LIMITH																									
		Clear	1	Disable																									
		Disabled	0	Read: Disabled																									
		Enabled	1	Read: Enabled																									
L	RW CH2LIMITL			Write '1' to disable interrupt for event CH2LIMITL																									
		Clear	1	Disable																									
		Disabled	0	Read: Disabled																									
		Enabled	1	Read: Enabled																									
M	RW CH3LIMITH			Write '1' to disable interrupt for event CH3LIMITH																									
		Clear	1	Disable																									
		Disabled	0	Read: Disabled																									

Bit number		31 30 29 28 27 26 25 24 23 22 21 20 19 18 17 16 15 14 13 12 11 10 9 8 7 6 5 4 3 2 1 0																															
ID		V U T S R Q P O N M L K J I H G F E D C B A																															
Reset 0x00000000		0 0																															
ID	Acce Field	Value ID	Value	Description																													
		Enabled	1	Read: Enabled																													
N	RW CH3LIMITL			Write '1' to disable interrupt for event CH3LIMITL																													
		Clear	1	Disable																													
		Disabled	0	Read: Disabled																													
		Enabled	1	Read: Enabled																													
O	RW CH4LIMITH			Write '1' to disable interrupt for event CH4LIMITH																													
		Clear	1	Disable																													
		Disabled	0	Read: Disabled																													
		Enabled	1	Read: Enabled																													
P	RW CH4LIMITL			Write '1' to disable interrupt for event CH4LIMITL																													
		Clear	1	Disable																													
		Disabled	0	Read: Disabled																													
		Enabled	1	Read: Enabled																													
Q	RW CH5LIMITH			Write '1' to disable interrupt for event CH5LIMITH																													
		Clear	1	Disable																													
		Disabled	0	Read: Disabled																													
		Enabled	1	Read: Enabled																													
R	RW CH5LIMITL			Write '1' to disable interrupt for event CH5LIMITL																													
		Clear	1	Disable																													
		Disabled	0	Read: Disabled																													
		Enabled	1	Read: Enabled																													
S	RW CH6LIMITH			Write '1' to disable interrupt for event CH6LIMITH																													
		Clear	1	Disable																													
		Disabled	0	Read: Disabled																													
		Enabled	1	Read: Enabled																													
T	RW CH6LIMITL			Write '1' to disable interrupt for event CH6LIMITL																													
		Clear	1	Disable																													
		Disabled	0	Read: Disabled																													
		Enabled	1	Read: Enabled																													
U	RW CH7LIMITH			Write '1' to disable interrupt for event CH7LIMITH																													
		Clear	1	Disable																													
		Disabled	0	Read: Disabled																													
		Enabled	1	Read: Enabled																													
V	RW CH7LIMITL			Write '1' to disable interrupt for event CH7LIMITL																													
		Clear	1	Disable																													
		Disabled	0	Read: Disabled																													
		Enabled	1	Read: Enabled																													

6.21.9.16 STATUS

Address offset: 0x400

Status

Bit number	31	30	29	28	27	26	25	24	23	22	21	20	19	18	17	16	15	14	13	12	11	10	9	8	7	6	5	4	3	2	1	0
ID																																A
Reset	0x00000000																															
	0 0																															
ID	Acce	Field	Value ID	Value	Description																											
A	R	STATUS			Status																											
			Ready	0	SAADC is ready. No on-going conversions.																											
			Busy	1	SAADC is busy. Conversion in progress.																											

6.21.9.17 ENABLE

Address offset: 0x500

Enable or disable SAADC

Bit number	31	30	29	28	27	26	25	24	23	22	21	20	19	18	17	16	15	14	13	12	11	10	9	8	7	6	5	4	3	2	1	0
ID																																A
Reset	0x00000000																															
	0 0																															
ID	Acce	Field	Value ID	Value	Description																											
A	RW	ENABLE			Enable or disable SAADC																											
			Disabled	0	Disable SAADC																											
			Enabled	1	Enable SAADC																											
					When enabled, the SAADC will acquire access to analog input pins specified in registers CH[n].PSEL0 and CH[n].PSELN																											

6.21.9.18 CH[n].PSEL0 (n=0..7)

Address offset: 0x510 + (n × 0x10)

Input positive pin selection for CH[n]

Bit number	31	30	29	28	27	26	25	24	23	22	21	20	19	18	17	16	15	14	13	12	11	10	9	8	7	6	5	4	3	2	1	0
ID																																A A A A A
Reset	0x00000000																															
	0 0																															
ID	Acce	Field	Value ID	Value	Description																											
A	RW	PSEL0			Analog positive input channel																											
			NC	0	Not connected																											
			AnalogInput0	1	AIN0																											
			AnalogInput1	2	AIN1																											
			AnalogInput2	3	AIN2																											
			AnalogInput3	4	AIN3																											
			AnalogInput4	5	AIN4																											
			AnalogInput5	6	AIN5																											
			AnalogInput6	7	AIN6																											
			AnalogInput7	8	AIN7																											
			VDD	9	VDD																											
			VDDHDIV5	0x0D	VDDH/5																											

6.21.9.19 CH[n].PSELN (n=0..7)

Address offset: 0x514 + (n × 0x10)

Input negative pin selection for CH[n]

Bit number	31 30 29 28 27 26 25 24 23 22 21 20 19 18 17 16 15 14 13 12 11 10 9 8 7 6 5 4 3 2 1 0																																		
ID																															A	A	A	A	A
Reset 0x00000000	0 0																																		
ID	Acce	Field	Value ID	Value	Description																														
A	RW	PSELN			Analog negative input, enables differential channel																														
			NC	0	Not connected																														
			AnalogInput0	1	AIN0																														
			AnalogInput1	2	AIN1																														
			AnalogInput2	3	AIN2																														
			AnalogInput3	4	AIN3																														
			AnalogInput4	5	AIN4																														
			AnalogInput5	6	AIN5																														
			AnalogInput6	7	AIN6																														
			AnalogInput7	8	AIN7																														
			VDD	9	VDD																														
			VDDHDIV5	0x0D	VDDH/5																														

6.21.9.20 CH[n].CONFIG (n=0..7)

Address offset: $0x518 + (n \times 0x10)$

Input configuration for CH[n]

Bit number	31 30 29 28 27 26 25 24 23 22 21 20 19 18 17 16 15 14 13 12 11 10 9 8 7 6 5 4 3 2 1 0																														
ID																G	F	E	E	E	D	C	C	C	B	B	A	A			
Reset 0x00020000	0 0 0 0 0 0 0 0 0 0 0 0 0 0 0 1 0																														
ID	Acce	Field	Value ID	Value	Description																										
A	RW	RESP			Positive channel resistor control																										
			Bypass	0	Bypass resistor ladder																										
			Pulldown	1	Pull-down to GND																										
			Pullup	2	Pull-up to VDD																										
			VDD1_2	3	Set input at VDD/2																										
B	RW	RESN			Negative channel resistor control																										
			Bypass	0	Bypass resistor ladder																										
			Pulldown	1	Pull-down to GND																										
			Pullup	2	Pull-up to VDD																										
			VDD1_2	3	Set input at VDD/2																										
C	RW	GAIN			Gain control																										
			Gain1_6	0	1/6																										
			Gain1_5	1	1/5																										
			Gain1_4	2	1/4																										
			Gain1_3	3	1/3																										
			Gain1_2	4	1/2																										
			Gain1	5	1																										
			Gain2	6	2																										
			Gain4	7	4																										
D	RW	REFSEL			Reference control																										
			Internal	0	Internal reference (0.6 V)																										
			VDD1_4	1	VDD/4 as reference																										
E	RW	TACQ			Acquisition time, the time the SAADC uses to sample the input voltage																										
			3us	0	3 μ s																										
			5us	1	5 μ s																										
			10us	2	10 μ s																										

Bit number	31 30 29 28 27 26 25 24 23 22 21 20 19 18 17 16 15 14 13 12 11 10 9 8 7 6 5 4 3 2 1 0																														
ID	G F E E E D C C C B B A A																														
Reset 0x00020000	0 0 0 0 0 0 0 0 0 0 0 0 0 0 0 1 0 0 0 0 0 0 0 0 0 0 0 0 0 0 0 0 0 0																														
ID	Acce Field	Value ID	Value	Description																											
		15us	3	15 μ s																											
		20us	4	20 μ s																											
		40us	5	40 μ s																											
F	RW MODE			Enable differential mode																											
		SE	0	Single-ended, PSELN will be ignored, negative input to SAADC shorted to GND																											
		Diff	1	Differential																											
G	RW BURST			Enable burst mode																											
		Disabled	0	Burst mode is disabled (normal operation)																											
		Enabled	1	Burst mode is enabled. SAADC takes 2 ^{OVERSAMPLE} number of samples as fast as it can, and sends the average to Data RAM.																											

6.21.9.21 CH[n].LIMIT (n=0..7)

Address offset: 0x51C + (n × 0x10)

High/low limits for event monitoring of a channel

Bit number	31 30 29 28 27 26 25 24 23 22 21 20 19 18 17 16 15 14 13 12 11 10 9 8 7 6 5 4 3 2 1 0																														
ID	B B B B B B B B B B B B B B B A A A A A A A A A A A A A A A A A																														
Reset 0x7FFF8000	0 1 1 1 1 1 1 1 1 1 1 1 1 1 1 1 0 0 0 0 0 0 0 0 0 0 0 0 0 0 0 0																														
ID	Acce Field	Value ID	Value	Description																											
A	RW LOW		[-32768 to +32767]	Low level limit																											
B	RW HIGH		[-32768 to +32767]	High level limit																											

6.21.9.22 RESOLUTION

Address offset: 0x5F0

Resolution configuration

Bit number	31 30 29 28 27 26 25 24 23 22 21 20 19 18 17 16 15 14 13 12 11 10 9 8 7 6 5 4 3 2 1 0																														
ID	A A A																														
Reset 0x00000001	0 1																														
ID	Acce Field	Value ID	Value	Description																											
A	RW VAL			Set the resolution																											
		8bit	0	8 bits																											
		10bit	1	10 bits																											
		12bit	2	12 bits																											
		14bit	3	14 bits																											

6.21.9.23 OVERSAMPLE

Address offset: 0x5F4

Oversampling configuration. The RESOLUTION is applied before averaging, thus for high OVERSAMPLE a higher RESOLUTION should be used.

Bit number	31 30 29 28 27 26 25 24 23 22 21 20 19 18 17 16 15 14 13 12 11 10 9 8 7 6 5 4 3 2 1 0																																	
ID																															A	A	A	A
Reset 0x00000000	0 0																																	
ID	Acce	Field	Value ID	Value	Description																													
A	RW	OVERSAMPLE			Oversample control																													
			Bypass	0	Bypass oversampling																													
			Over2x	1	Oversample 2x																													
			Over4x	2	Oversample 4x																													
			Over8x	3	Oversample 8x																													
			Over16x	4	Oversample 16x																													
			Over32x	5	Oversample 32x																													
			Over64x	6	Oversample 64x																													
			Over128x	7	Oversample 128x																													
			Over256x	8	Oversample 256x																													

6.21.9.24 SAMPLERATE

Address offset: 0x5F8

Controls normal or continuous sample rate

Bit number	31 30 29 28 27 26 25 24 23 22 21 20 19 18 17 16 15 14 13 12 11 10 9 8 7 6 5 4 3 2 1 0																																										
ID																															B	A	A	A	A	A	A	A	A	A	A	A	A
Reset 0x00000000	0 0																																										
ID	Acce	Field	Value ID	Value	Description																																						
A	RW	CC		[80..2047]	Capture and compare value. Sample rate is 16 MHz/CC																																						
B	RW	MODE			Select mode for sample rate control																																						
			Task	0	Rate is controlled from SAMPLE task																																						
			Timers	1	Rate is controlled from local timer (use CC to control the rate)																																						

6.21.9.25 RESULT.PTR

Address offset: 0x62C

Data pointer

Bit number	31 30 29 28 27 26 25 24 23 22 21 20 19 18 17 16 15 14 13 12 11 10 9 8 7 6 5 4 3 2 1 0																														
ID	A	A	A	A	A	A	A	A	A	A	A	A	A	A	A	A	A	A	A	A	A	A	A	A	A	A	A	A	A	A	
Reset 0x00000000	0 0																														
ID	Acce	Field	Value ID	Value	Description																										
A	RW	PTR			Data pointer																										

Note: See [Memory](#) on page 19 for details about memories available to EasyDMA.

6.21.9.26 RESULT.MAXCNT

Address offset: 0x630

Maximum number of 16-bit samples to be written to output RAM buffer

Bit number	31	30	29	28	27	26	25	24	23	22	21	20	19	18	17	16	15	14	13	12	11	10	9	8	7	6	5	4	3	2	1	0		
ID																	A	A	A	A	A	A	A	A	A	A	A	A	A	A	A	A	A	
Reset 0x00000000	0																0	0	0	0	0	0	0	0	0	0	0	0	0	0	0	0	0	0
ID	Acce Field	Value ID	Value	Description																														
A	RW	MAXCNT		Maximum number of 16-bit samples to be written to output RAM buffer																														

6.21.9.27 RESULT.AMOUNT

Address offset: 0x634

Number of 16-bit samples written to output RAM buffer since the previous START task

Bit number	31	30	29	28	27	26	25	24	23	22	21	20	19	18	17	16	15	14	13	12	11	10	9	8	7	6	5	4	3	2	1	0		
ID																	A	A	A	A	A	A	A	A	A	A	A	A	A	A	A	A	A	
Reset 0x00000000	0																0	0	0	0	0	0	0	0	0	0	0	0	0	0	0	0	0	0
ID	Acce Field	Value ID	Value	Description																														
A	R	AMOUNT		Number of 16-bit samples written to output RAM buffer since the previous START task. This register can be read after an END or STOPPED event.																														

6.21.10 Electrical specification

6.21.10.1 SAADC electrical specification

Symbol	Description	Min.	Typ.	Max.	Units
DNL ₁₀	Differential non-linearity, 10-bit resolution	-0.95	<1		LSB _{10b}
INL ₁₀	Integral non-linearity, 10-bit resolution		1		LSB _{10b}
DNL ₁₂	Differential non-linearity, 12-bit resolution	-0.95	1.3		LSB _{12b}
INL ₁₂	Integral non-linearity, 12-bit resolution		4.7		LSB _{12b}
V _{OS}	Differential offset error (calibrated), 10-bit resolution ²³		±2		LSB _{10b}
E _{VDDHDIV5}	Error on VDDHDIV5 input		±1		%
C _{EG}	Gain error temperature coefficient		0.02		%/°C
f _{SAMPLE}	Maximum sampling rate			200	kHz
t _{ACQ,10k}	Acquisition time (configurable), source resistance ≤ 10 kΩ		3		μs
t _{ACQ,40k}	Acquisition time (configurable), source resistance ≤ 40 kΩ		5		μs
t _{ACQ,100k}	Acquisition time (configurable), source resistance ≤ 100 kΩ		10		μs
t _{ACQ,200k}	Acquisition time (configurable), source resistance ≤ 200 kΩ		15		μs
t _{ACQ,400k}	Acquisition time (configurable), source resistance ≤ 400 kΩ		20		μs
t _{ACQ,800k}	Acquisition time (configurable), source resistance ≤ 800 kΩ		40		μs
t _{CONV}	Conversion time		<2		μs
E _{G1/6}	Error ²⁴ for gain = 1/6	-3		3	%
E _{G1/4}	Error ²⁴ for gain = 1/4	-3		3	%
E _{G1/2}	Error ²⁴ for gain = 1/2	-3		4	%
E _{G1}	Error ²⁴ for gain = 1	-3		4	%
C _{SAMPLE}	Sample and hold capacitance at maximum gain ²⁵		2.5		pF
R _{INPUT}	Input resistance		>1		MΩ

²³ Digital output code at zero volt differential input.

²⁴ Does not include temperature drift

²⁵ Maximum gain corresponds to highest capacitance.

Symbol	Description	Min.	Typ.	Max.	Units
E _{NOB}	Effective number of bits, differential mode, 12-bit resolution, 1/1 gain, 3 μs acquisition time, crystal HFCLK, 200 ksp/s		9		Bit
S _{NDR}	Peak signal to noise and distortion ratio, differential mode, 12-bit resolution, 1/1 gain, 3 μs acquisition time, crystal HFCLK, 200 ksp/s		56		dB
S _{FDR}	Spurious free dynamic range, differential mode, 12-bit resolution, 1/1 gain, 3 μs acquisition time, crystal HFCLK, 200 ksp/s		70		dBc
R _{LADDER}	Ladder resistance		160		kΩ

6.22 SPI — Serial peripheral interface master

The SPI master provides a simple CPU interface which includes a TXD register for sending data and an RXD register for receiving data. This section is added for legacy support for now.

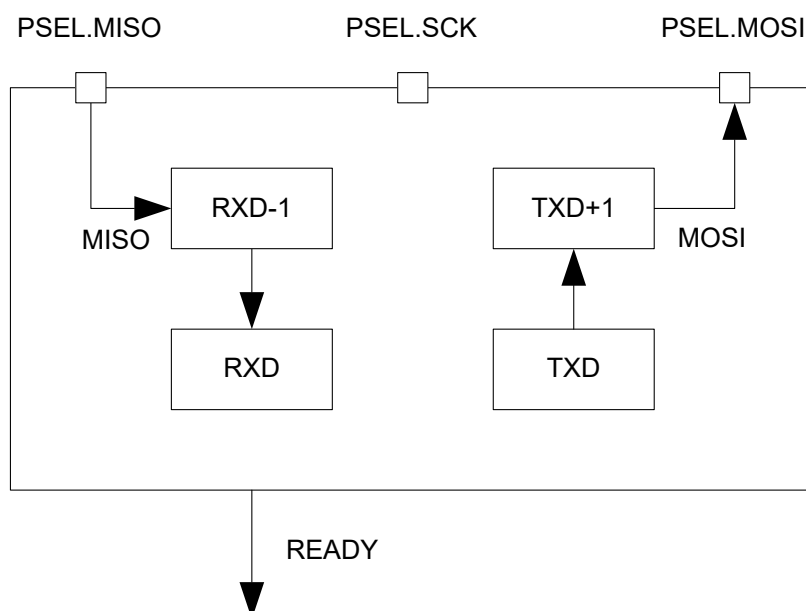


Figure 141: SPI master

RXD-1 and TXD+1 illustrate the double buffered version of RXD and TXD respectively.

6.22.1 Functional description

The TXD and RXD registers are double-buffered to enable some degree of uninterrupted data flow in and out of the SPI master.

The SPI master does not implement support for chip select directly. Therefore, the CPU must use available GPIOs to select the correct slave and control this independently of the SPI master. The SPI master supports SPI modes 0 through 3.

Mode	Clock polarity	Clock phase
	CPOL	CPHA
SPI_MODE0	0 (Leading)	0 (Active high)
SPI_MODE1	0 (Leading)	1 (Active low)
SPI_MODE2	1 (Trailing)	0 (Active high)
SPI_MODE3	1 (Trailing)	1 (Active low)

Table 97: SPI modes

6.22.1.1 SPI master mode pin configuration

The different signals SCK, MOSI, and MISO associated with the SPI master are mapped to physical pins.

This mapping is according to the configuration specified in the PSEL.SCK, PSEL.MOSI, and PSEL.MISO registers respectively. If the CONNECT field of a PSEL.xxx register is set to Disconnected, the associated SPI master signal is not connected to any physical pin. The PSEL.SCK, PSEL.MOSI, and PSEL.MISO registers and their configurations are only used as long as the SPI master is enabled, and retained only as long as the device is in ON mode. PSEL.SCK, PSEL.MOSI, and PSEL.MISO must only be configured when the SPI master is disabled.

To secure correct behavior in the SPI, the pins used by the SPI must be configured in the GPIO peripheral as described in [GPIO configuration](#) on page 384 prior to enabling the SPI. The SCK must always be connected to a pin, and that pin's input buffer must always be connected for the SPI to work. This configuration must be retained in the GPIO for the selected I/Os as long as the SPI is enabled.

Only one peripheral can be assigned to drive a particular GPIO pin at a time. Failing to do so may result in unpredictable behavior.

SPI master signal	SPI master pin	Direction	Output value
SCK	As specified in PSEL.SCK	Output	Same as CONFIG.CPOL
MOSI	As specified in PSEL.MOSI	Output	0
MISO	As specified in PSEL.MISO	Input	Not applicable

Table 98: GPIO configuration

6.22.1.2 Shared resources

The SPI shares registers and other resources with other peripherals that have the same ID as the SPI. Therefore, the user must disable all peripherals that have the same ID as the SPI before the SPI can be configured and used.

Disabling a peripheral that has the same ID as the SPI will not reset any of the registers that are shared with the SPI. It is therefore important to configure all relevant SPI registers explicitly to secure that it operates correctly.

See the Instantiation table in [Instantiation](#) on page 22 for details on peripherals and their IDs.

6.22.1.3 SPI master transaction sequence

An SPI master transaction is started by writing the first byte, which is to be transmitted by the SPI master, to the TXD register.

Since the transmitter is double buffered, the second byte can be written to the TXD register immediately after the first one. The SPI master will then send these bytes in the order they are written to the TXD register.

The SPI master is a synchronous interface, and for every byte that is sent, a different byte will be received at the same time. This is illustrated in [SPI master transaction](#) on page 385. Bytes that are received will be moved to the RXD register where the CPU can extract them by reading the register. The RXD register is double buffered in the same way as the TXD register, and a second byte can therefore be received at the

same time as the first byte is being extracted from RXD by the CPU. The SPI master will generate a READY event every time a new byte is moved to the RXD register. The double buffered byte will be moved from RXD-1 to RXD as soon as the first byte is extracted from RXD. The SPI master will stop when there are no more bytes to send in TXD and TXD+1.

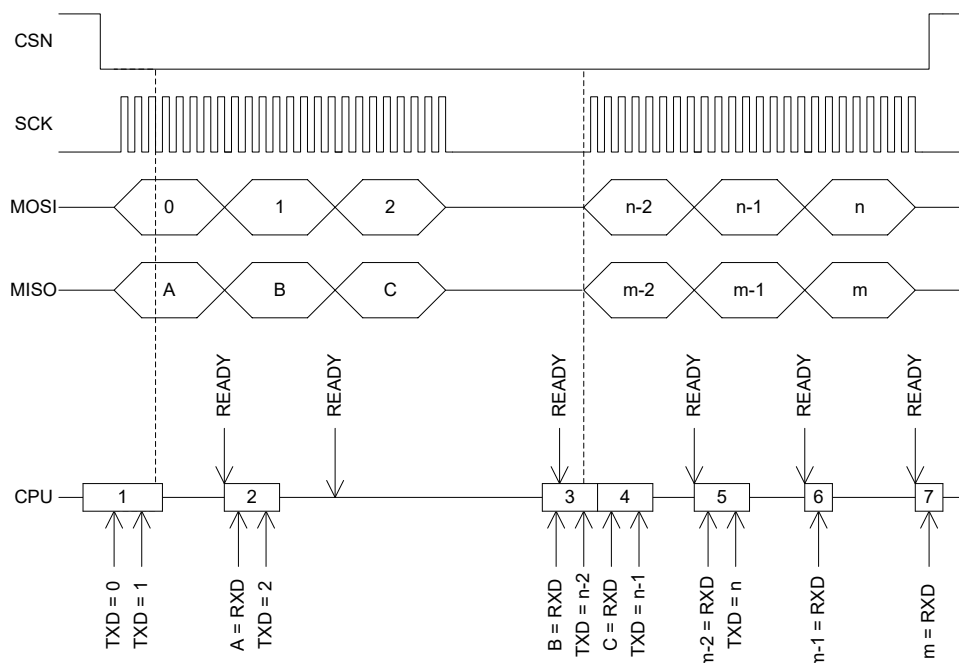


Figure 142: SPI master transaction

The READY event of the third byte transaction is delayed until B is extracted from RXD in occurrence number 3 on the horizontal lifeline. The reason for this is that the third event is generated first when C is moved from RXD-1 to RXD after B is read.

The SPI master will move the incoming byte to the RXD register after a short delay following the SCK clock period of the last bit in the byte. This also means that the READY event will be delayed accordingly, see [SPI master transaction](#) on page 386. Therefore, it is important that you always clear the READY event, even if the RXD register and the data that is being received is not used.

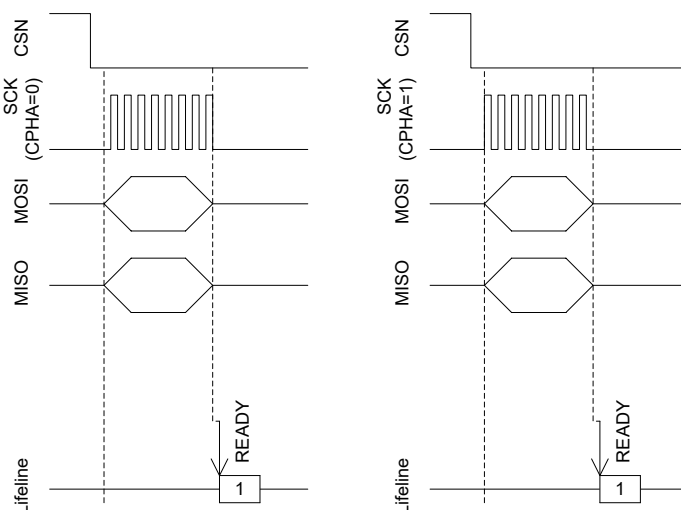


Figure 143: SPI master transaction

6.22.2 Registers

Base address	Peripheral	Instance	Description	Configuration
0x40003000	SPI	SPI0	SPI master 0	Deprecated
0x40004000	SPI	SPI1	SPI master 1	Deprecated
0x40023000	SPI	SPI2	SPI master 2	Deprecated

Table 99: Instances

Register	Offset	Description
EVENTS_READY	0x108	TXD byte sent and RXD byte received
INTENSET	0x304	Enable interrupt
INTENCLR	0x308	Disable interrupt
ENABLE	0x500	Enable SPI
PSEL_SCK	0x508	Pin select for SCK
PSEL_MOSI	0x50C	Pin select for MOSI signal
PSEL_MISO	0x510	Pin select for MISO signal
RXD	0x518	RXD register
TXD	0x51C	TXD register
FREQUENCY	0x524	SPI frequency. Accuracy depends on the HFCLK source selected.
CONFIG	0x554	Configuration register

Table 100: Register overview

6.22.2.1 EVENTS_READY

Address offset: 0x108

TXD byte sent and RXD byte received

Bit number	31	30	29	28	27	26	25	24	23	22	21	20	19	18	17	16	15	14	13	12	11	10	9	8	7	6	5	4	3	2	1	0
ID																																A
Reset 0x00000000	0 0																															
ID	Acce Field	Value ID	Value	Description																												
A	RW EVENTS_READY			TXD byte sent and RXD byte received																												
		NotGenerated	0	Event not generated																												
		Generated	1	Event generated																												

6.22.2.2 INTENSET

Address offset: 0x304

Enable interrupt

Bit number	31	30	29	28	27	26	25	24	23	22	21	20	19	18	17	16	15	14	13	12	11	10	9	8	7	6	5	4	3	2	1	0
ID																																A
Reset 0x00000000	0 0																															
ID	Acce Field	Value ID	Value	Description																												
A	RW READY			Write '1' to enable interrupt for event READY																												
		Set	1	Enable																												
		Disabled	0	Read: Disabled																												
		Enabled	1	Read: Enabled																												

6.22.2.3 INTENCLR

Address offset: 0x308

Disable interrupt

Bit number	31	30	29	28	27	26	25	24	23	22	21	20	19	18	17	16	15	14	13	12	11	10	9	8	7	6	5	4	3	2	1	0
ID																																A
Reset 0x00000000	0 0																															
ID	Acce Field	Value ID	Value	Description																												
A	RW READY			Write '1' to disable interrupt for event READY																												
		Clear	1	Disable																												
		Disabled	0	Read: Disabled																												
		Enabled	1	Read: Enabled																												

6.22.2.4 ENABLE

Address offset: 0x500

Enable SPI

Bit number	31	30	29	28	27	26	25	24	23	22	21	20	19	18	17	16	15	14	13	12	11	10	9	8	7	6	5	4	3	2	1	0
ID																																A A A A
Reset 0x00000000	0 0																															
ID	Acce Field	Value ID	Value	Description																												
A	RW ENABLE			Enable or disable SPI																												
		Disabled	0	Disable SPI																												
		Enabled	1	Enable SPI																												

6.22.2.5 PSEL.SCK

Address offset: 0x508

Pin select for SCK

Bit number	31	30	29	28	27	26	25	24	23	22	21	20	19	18	17	16	15	14	13	12	11	10	9	8	7	6	5	4	3	2	1	0
ID	C																															
Reset 0xFFFFFFFF	1 1																															
ID	Acce Field	Value ID	Value	Description																												
A	RW PIN		[0..31]	Pin number																												
B	RW PORT		[0..1]	Port number																												
C	RW CONNECT			Connection																												
		Disconnected	1	Disconnect																												
		Connected	0	Connect																												

6.22.2.6 PSEL.MOSI

Address offset: 0x50C

Pin select for MOSI signal

Bit number	31	30	29	28	27	26	25	24	23	22	21	20	19	18	17	16	15	14	13	12	11	10	9	8	7	6	5	4	3	2	1	0
ID	C																															
Reset 0xFFFFFFFF	1 1																															
ID	Acce Field	Value ID	Value	Description																												
A	RW PIN		[0..31]	Pin number																												
B	RW PORT		[0..1]	Port number																												
C	RW CONNECT			Connection																												
		Disconnected	1	Disconnect																												
		Connected	0	Connect																												

6.22.2.7 PSEL.MISO

Address offset: 0x510

Pin select for MISO signal

Bit number	31	30	29	28	27	26	25	24	23	22	21	20	19	18	17	16	15	14	13	12	11	10	9	8	7	6	5	4	3	2	1	0
ID	C																															
Reset 0xFFFFFFFF	1 1																															
ID	Acce Field	Value ID	Value	Description																												
A	RW PIN		[0..31]	Pin number																												
B	RW PORT		[0..1]	Port number																												
C	RW CONNECT			Connection																												
		Disconnected	1	Disconnect																												
		Connected	0	Connect																												

6.22.2.8 RXD

Address offset: 0x518

RXD register

Bit number	31	30	29	28	27	26	25	24	23	22	21	20	19	18	17	16	15	14	13	12	11	10	9	8	7	6	5	4	3	2	1	0																								
ID																											A	A	A	A	A	A	A	A	A	A	A	A	A	A	A	A	A	A	A	A	A	A	A	A	A	A	A	A	A	
Reset 0x00000000																											0	0	0	0	0	0	0	0	0	0	0	0	0	0	0	0	0	0	0	0	0	0	0	0	0	0	0	0	0	0
ID	Acce	Field	Value ID	Value	Description																																																			
A	R		RXD		RX data received. Double buffered																																																			

6.22.2.9 TXD

Address offset: 0x51C

TXD register

Bit number	31	30	29	28	27	26	25	24	23	22	21	20	19	18	17	16	15	14	13	12	11	10	9	8	7	6	5	4	3	2	1	0																								
ID																											A	A	A	A	A	A	A	A	A	A	A	A	A	A	A	A	A	A	A	A	A	A	A	A	A	A	A	A	A	
Reset 0x00000000																											0	0	0	0	0	0	0	0	0	0	0	0	0	0	0	0	0	0	0	0	0	0	0	0	0	0	0	0	0	0
ID	Acce	Field	Value ID	Value	Description																																																			
A	RW		TXD		TX data to send. Double buffered.																																																			

6.22.2.10 FREQUENCY

Address offset: 0x524

SPI frequency. Accuracy depends on the HFCLK source selected.

Bit number	31	30	29	28	27	26	25	24	23	22	21	20	19	18	17	16	15	14	13	12	11	10	9	8	7	6	5	4	3	2	1	0
ID	A	A	A	A	A	A	A	A	A	A	A	A	A	A	A	A	A	A	A	A	A	A	A	A	A	A	A	A	A	A	A	A
Reset 0x04000000	0	0	0	0	0	1	0	0	0	0	0	0	0	0	0	0	0	0	0	0	0	0	0	0	0	0	0	0	0	0	0	
ID	Acce	Field	Value ID	Value	Description																											
A	RW	FREQUENCY			SPI master data rate																											
			K125	0x02000000	125 kbps																											
			K250	0x04000000	250 kbps																											
			K500	0x08000000	500 kbps																											
			M1	0x10000000	1 Mbps																											
			M2	0x20000000	2 Mbps																											
			M4	0x40000000	4 Mbps																											
			M8	0x80000000	8 Mbps																											

6.22.2.11 CONFIG

Address offset: 0x554

Configuration register

Bit number		31 30 29 28 27 26 25 24 23 22 21 20 19 18 17 16 15 14 13 12 11 10 9 8 7 6 5 4 3 2 1 0																															
ID																															C	B	A
Reset		0x00000000																															
ID	Acce Field	Value ID	Value	Description																													
A	RW ORDER			Bit order																													
		MsbFirst	0	Most significant bit shifted out first																													
		LsbFirst	1	Least significant bit shifted out first																													
B	RW CPHA			Serial clock (SCK) phase																													
		Leading	0	Sample on leading edge of clock, shift serial data on trailing edge																													
		Trailing	1	Sample on trailing edge of clock, shift serial data on leading edge																													
C	RW CPOL			Serial clock (SCK) polarity																													
		ActiveHigh	0	Active high																													
		ActiveLow	1	Active low																													

6.22.3 Electrical specification

6.22.3.1 SPI master interface electrical specifications

Symbol	Description	Min.	Typ.	Max.	Units
f_{SPI}	Bit rates for SPI ²⁶			g^{27}	Mbps
$t_{\text{SPI,START}}$	Time from writing TXD register to transmission started		1		μs

6.22.3.2 Serial Peripheral Interface (SPI) Master timing specifications

Symbol	Description	Min.	Typ.	Max.	Units
$t_{\text{SPI,CCLK}}$	SCK period	125			ns
$t_{\text{SPI,RSCK,LD}}$	SCK rise time, standard drive ²⁸			$t_{\text{RF},25\text{pF}}$	
$t_{\text{SPI,RSCK,HD}}$	SCK rise time, high drive ²⁸			$t_{\text{HRF},25\text{pF}}$	
$t_{\text{SPI,FSCK,LD}}$	SCK fall time, standard drive ²⁸			$t_{\text{RF},25\text{pF}}$	
$t_{\text{SPI,FSCK,HD}}$	SCK fall time, high drive ²⁸			$t_{\text{HRF},25\text{pF}}$	
$t_{\text{SPI,WHSCCK}}$	SCK high time ²⁸	$(t_{\text{CCLK}}/2)$			
		$- t_{\text{RSCK}}$			
$t_{\text{SPI,WLSCCK}}$	SCK low time ²⁸	$(t_{\text{CCLK}}/2)$			
		$- t_{\text{FSCK}}$			
$t_{\text{SPI,SUMI}}$	MISO to CLK edge setup time	19			ns
$t_{\text{SPI,HMI}}$	CLK edge to MISO hold time	18			ns
$t_{\text{SPI,VMO}}$	CLK edge to MOSI valid			59	ns
$t_{\text{SPI,HMO}}$	MOSI hold time after CLK edge	20			ns

²⁶ High bit rates may require GPIOs to be set as High Drive, see GPIO chapter for more details.

²⁷ The actual maximum data rate depends on the slave's CLK to MISO and MOSI setup and hold timings.

²⁸ At 25 pF load, including GPIO capacitance, see [GPIO electrical specification](#).

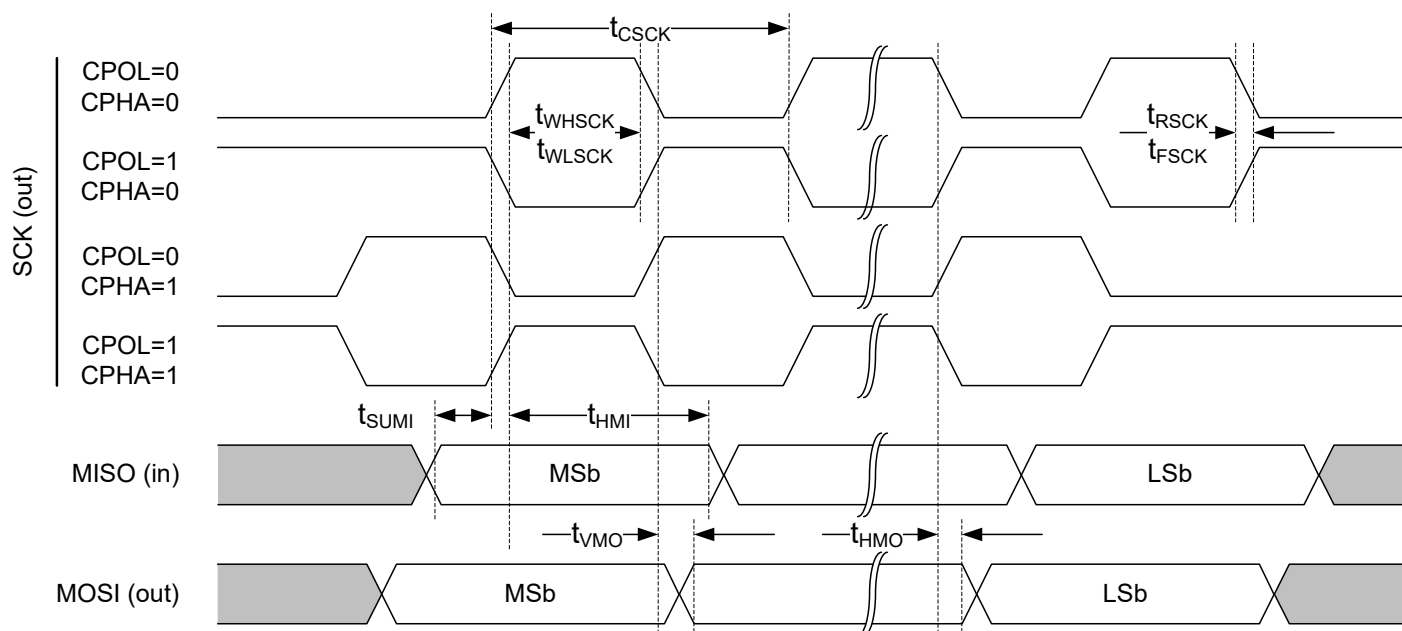


Figure 144: SPI master timing diagram

6.23 SPIM — Serial peripheral interface master with EasyDMA

The SPI master can communicate with multiple SPI slaves using individual chip select signals for each slave.

Listed here are the main features for the SPIM:

- EasyDMA direct transfer to/from RAM
- SPI mode 0-3
- Individual selection of I/O pins
- Optional D/CX output line for distinguishing between command and data bytes

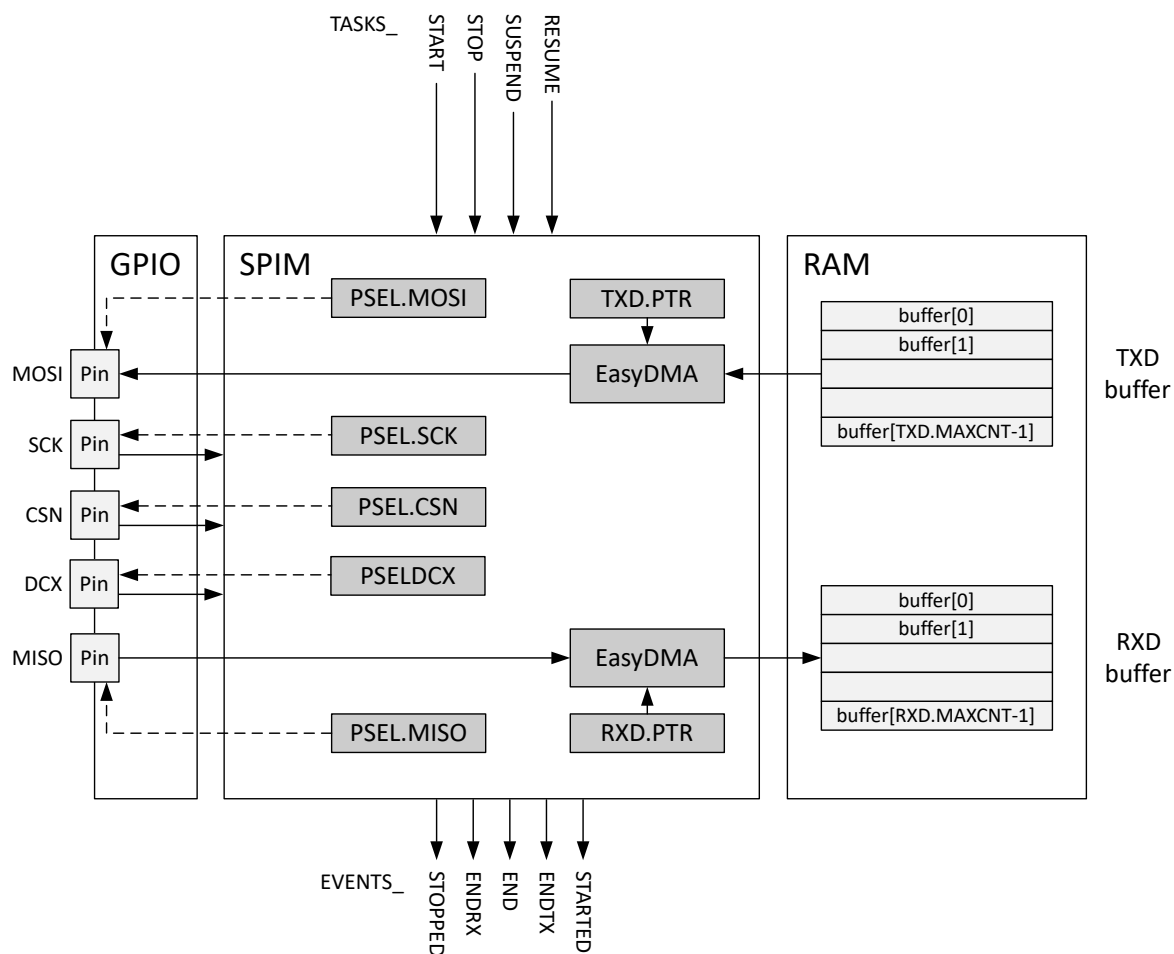


Figure 145: SPIM — SPI master with EasyDMA

6.23.1 SPI master transaction sequence

An SPI master transaction is started by triggering the START task. When started, a number of bytes will be transmitted/received on MOSI/MISO.

The following figure illustrates an SPI master transaction.

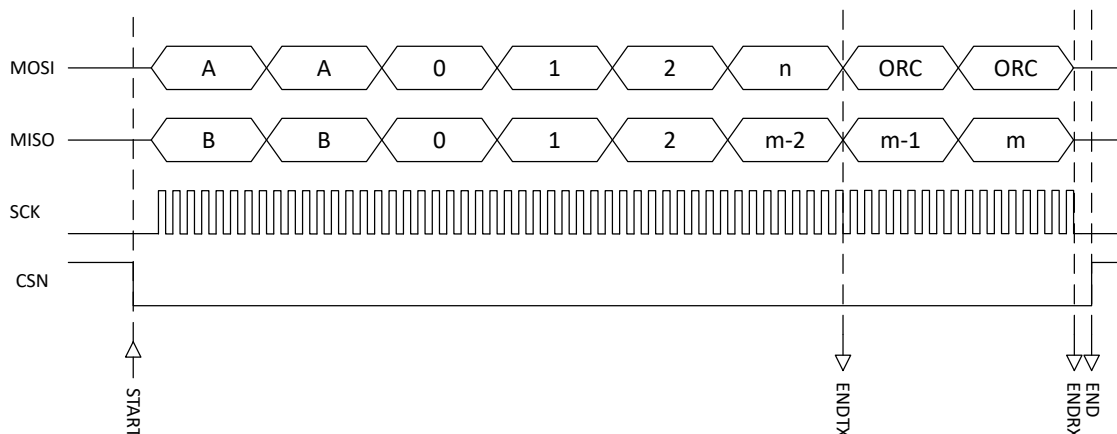


Figure 146: SPI master transaction

The ENDTX is generated when all bytes in buffer `TXD.PTR` on page 404 are transmitted. The number of bytes in the transmit buffer is specified in register `TXD.MAXCNT` on page 404. The ENDRX event will be generated when buffer `RXD.PTR` on page 403 is full, meaning the number of bytes specified in register `RXD.MAXCNT` on page 403 have been received. The transaction stops automatically after all bytes have been transmitted/received. When the maximum number of bytes in the receive buffer is larger than the number of bytes in the transmit buffer, the contents of register `ORC` on page 407 will be transmitted after the last byte in the transmit buffer has been transmitted.

The END event will be generated after both the ENDRX and ENDTX events have been generated.

The SPI master can be stopped in the middle of a transaction by triggering the STOP task. When triggering the STOP task, SPIM will complete the transmission/reception of the current byte before stopping. A STOPPED event is generated when the SPI master has stopped.

If the ENDTX event has not already been generated when the SPI master has come to a stop, the ENDTX event will be generated even if all bytes in the buffer `TXD.PTR` on page 404 have not been transmitted.

If the ENDRX event has not already been generated when the SPI master has come to a stop, the ENDRX event will be generated even if the buffer `RXD.PTR` on page 403 is not full.

A transaction can be suspended and resumed using the SUSPEND and RESUME tasks. When the SUSPEND task is triggered, the SPI master will complete transmitting and receiving the current ongoing byte before it is suspended.

6.23.2 D/CX functionality

Some SPI slaves, for example display drivers, require an additional signal from the SPI master to distinguish between command and data bytes. For display drivers this line is often called D/CX.

SPIM provides support for such a D/CX output line. The D/CX line is set low during transmission of command bytes and high during transmission of data bytes.

The D/CX pin number is selected using `PSELDCX` on page 406 and the number of command bytes preceding the data bytes is configured using `DCXCNT` on page 406.

It is not allowed to write to the `DCXCNT` on page 406 during an ongoing transmission.

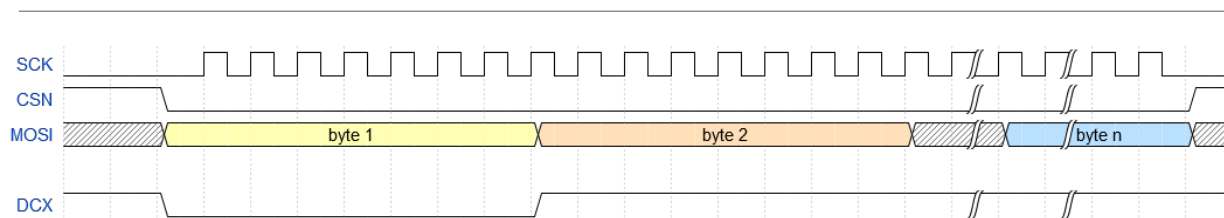


Figure 147: D/CX example. SPIM.DCXCNT = 1.

6.23.3 Pin configuration

The SCK, CSN, DCX, MOSI, and MISO signals associated with SPIM are mapped to physical pins according to the configuration specified in the PSEL.n registers.

The contents of registers [PSEL.SCK](#) on page 401, [PSEL.CSN](#) on page 402, [PSELDGX](#) on page 406, [PSEL.MOSI](#) on page 402, and [PSEL.MISO](#) on page 402 are only used when SPIM is enabled, and retained only as long as the device is in System ON mode. The PSEL.n registers can only be configured when SPIM is disabled. Enabling/disabling is done using register [ENABLE](#) on page 401.

To ensure correct behavior, the pins used by SPIM must be configured in the GPIO peripheral as described in [GPIO configuration](#) on page 394 before SPIM is enabled.

Only one peripheral can be assigned to drive a particular GPIO pin at a time. Failing to do so may result in unpredictable behavior.

SPI master signal	SPI master pin	Direction	Output value	Comments
SCK	As specified in PSEL.SCK on page 401	Output	Same as CONFIG.CPOL	
CSN	As specified in PSEL.CSN on page 402	Output	Same as CONFIG.CPOL	
DCX	As specified in PSELDGX on page 406	Output	1	
MOSI	As specified in PSEL.MOSI on page 402	Output	0	
MISO	As specified in PSEL.MISO on page 402	Input	Not applicable	

Table 101: GPIO configuration

Some SPIM instances do not support automatic control of CSN, and for those the available GPIO pins need to be used to control CSN directly. See [Instances](#) on page 396 for information about what features are supported in the various SPIM instances.

SPIM supports SPI modes 0 through 3. The clock polarity (CPOL) and the clock phase (CPHA) are configured in register [CONFIG](#) on page 405.

Mode	Clock polarity	Clock phase
	CPOL	CPHA
SPI_MODE0	0 (Active High)	0 (Leading)
SPI_MODE1	0 (Active High)	1 (Trailing)
SPI_MODE2	1 (Active Low)	0 (Leading)
SPI_MODE3	1 (Active Low)	1 (Trailing)

Table 102: SPI modes

6.23.4 EasyDMA

SPIM implements EasyDMA for accessing RAM without CPU involvement.

The SPIM peripheral implements the following EasyDMA channels.

Channel	Type	Register Cluster
TXD	READER	TXD
RXD	WRITER	RXD

Table 103: SPIM EasyDMA Channels

For detailed information regarding the use of EasyDMA, see [EasyDMA](#) on page 44.

The .PTR and .MAXCNT registers are double-buffered. They can be updated and prepared for the next transmission immediately after having received the STARTED event.

The SPI master will automatically stop transmitting after TXD.MAXCNT bytes have been transmitted and RXD.MAXCNT bytes have been received. If RXD.MAXCNT is larger than TXD.MAXCNT, the remaining transmitted bytes will contain the value defined in the ORC register. If TXD.MAXCNT is larger than RXD.MAXCNT, the superfluous received bytes will be discarded.

The ENDRX/ENDTX event indicate that EasyDMA has finished accessing respectively the RX/TX buffer in RAM. The END event gets generated when both RX and TX are finished accessing the buffers in RAM.

If several AHB bus masters try to access the same AHB slave at the same time, AHB bus congestion might occur, and the behaviour of the EasyDMA channel will depend on the SPIM instance. Refer to [Instances](#) on page 396 for information about what behaviour is supported in the various instances.

6.23.5 Low power

When putting the system in low power and the peripheral is not needed, lowest possible power consumption is achieved by stopping, and then disabling the peripheral.

The STOP task may not be always needed (the peripheral might already be stopped), but if it is sent, software shall wait until the STOPPED event was received as a response before disabling the peripheral through the ENABLE register.

6.23.6 Registers

Base address	Peripheral	Instance	Description	Configuration
0x40003000	SPIM	SPIM0	SPI master 0	Not supported: > 8 Mbps data rate, CSNPOL register, DCX functionality, IFTIMING.x registers, hardware CSN control (PSEL.CSN), stalling mechanism during AHB bus contention. Recommended GPIOs for SCK signal for 8 Mbps data rate, see Pin assignments section for your package.
0x40004000	SPIM	SPIM1	SPI master 1	Not supported: > 8 Mbps data rate, CSNPOL register, DCX functionality, IFTIMING.x registers, hardware CSN control (PSEL.CSN), stalling mechanism during AHB bus contention. Recommended GPIOs for SCK signal for 8 Mbps data rate, see Pin assignments section for your package.
0x40023000	SPIM	SPIM2	SPI master 2	Not supported: > 8 Mbps data rate, CSNPOL register, DCX functionality, IFTIMING.x registers, hardware CSN control (PSEL.CSN), stalling mechanism during AHB bus contention. Recommended GPIOs for SCK signal for 8 Mbps data rate, see Pin assignments section for your package.
0x4002F000	SPIM	SPIM3	SPI master 3	

Table 104: Instances

Register	Offset	Description
TASKS_START	0x010	Start SPI transaction
TASKS_STOP	0x014	Stop SPI transaction
TASKS_SUSPEND	0x01C	Suspend SPI transaction
TASKS_RESUME	0x020	Resume SPI transaction
EVENTS_STOPPED	0x104	SPI transaction has stopped
EVENTS_ENDRX	0x110	End of RXD buffer reached
EVENTS_END	0x118	End of RXD buffer and TXD buffer reached
EVENTS_ENDTX	0x120	End of TXD buffer reached
EVENTS_STARTED	0x14C	Transaction started
SHORTS	0x200	Shortcuts between local events and tasks
INTENSET	0x304	Enable interrupt
INTENCLR	0x308	Disable interrupt
STALLSTAT	0x400	Stall status for EasyDMA RAM accesses. The fields in this register are set to STALL by hardware whenever a stall occurs and can be cleared (set to NOSTALL) by the CPU.
ENABLE	0x500	Enable SPIM
PSEL_SCK	0x508	Pin select for SCK
PSEL_MOSI	0x50C	Pin select for MOSI signal
PSEL_MISO	0x510	Pin select for MISO signal
PSEL_CSN	0x514	Pin select for CSN
FREQUENCY	0x524	SPI frequency. Accuracy depends on the HFCLK source selected.
RXD_PTR	0x534	Data pointer

Register	Offset	Description
RXD.MAXCNT	0x538	Maximum number of bytes in receive buffer
RXD.AMOUNT	0x53C	Number of bytes transferred in the last transaction
RXD.LIST	0x540	EasyDMA list type
TXD.PTR	0x544	Data pointer
TXD.MAXCNT	0x548	Number of bytes in transmit buffer
TXD.AMOUNT	0x54C	Number of bytes transferred in the last transaction
TXD.LIST	0x550	EasyDMA list type
CONFIG	0x554	Configuration register
IFTIMING.RXDELAY	0x560	Sample delay for input serial data on MISO
IFTIMING.CSNDUR	0x564	Minimum duration between edge of CSN and edge of SCK and minimum duration CSN must stay high between transactions
CSNPOL	0x568	Polarity of CSN output
PSELDCX	0x56C	Pin select for DCX signal
DCXCNT	0x570	DCX configuration
ORC	0x5C0	Byte transmitted after TXD.MAXCNT bytes have been transmitted in the case when RXD.MAXCNT is greater than TXD.MAXCNT

Table 105: Register overview

6.23.6.1 TASKS_START

Address offset: 0x010

Start SPI transaction

Bit number	31	30	29	28	27	26	25	24	23	22	21	20	19	18	17	16	15	14	13	12	11	10	9	8	7	6	5	4	3	2	1	0
ID																												A				
Reset 0x00000000	0 0																															
ID	Acce	Field	Value	ID	Value	Description																										
A	W	TASKS_START				Start SPI transaction																										
			Trigger		1	Trigger task																										

6.23.6.2 TASKS_STOP

Address offset: 0x014

Stop SPI transaction

Bit number	31	30	29	28	27	26	25	24	23	22	21	20	19	18	17	16	15	14	13	12	11	10	9	8	7	6	5	4	3	2	1	0
ID																												A				
Reset 0x00000000	0 0																															
ID	Acce	Field	Value	ID	Value	Description																										
A	W	TASKS_STOP				Stop SPI transaction																										
			Trigger		1	Trigger task																										

6.23.6.3 TASKS_SUSPEND

Address offset: 0x01C

Suspend SPI transaction

Bit number	31	30	29	28	27	26	25	24	23	22	21	20	19	18	17	16	15	14	13	12	11	10	9	8	7	6	5	4	3	2	1	0
ID																																A
Reset 0x00000000	0 0																															
ID	Acce	Field	Value ID	Value	Description																											
A	W	TASKS_SUSPEND	Trigger	1	Suspend SPI transaction Trigger task																											

6.23.6.4 TASKS_RESUME

Address offset: 0x020

Resume SPI transaction

Bit number	31	30	29	28	27	26	25	24	23	22	21	20	19	18	17	16	15	14	13	12	11	10	9	8	7	6	5	4	3	2	1	0
ID																																A
Reset 0x00000000	0 0																															
ID	Acce	Field	Value ID	Value	Description																											
A	W	TASKS_RESUME	Trigger	1	Resume SPI transaction Trigger task																											

6.23.6.5 EVENTS_STOPPED

Address offset: 0x104

SPI transaction has stopped

Bit number	31	30	29	28	27	26	25	24	23	22	21	20	19	18	17	16	15	14	13	12	11	10	9	8	7	6	5	4	3	2	1	0
ID																																A
Reset 0x00000000	0 0																															
ID	Acce	Field	Value ID	Value	Description																											
A	RW	EVENTS_STOPPED	NotGenerated	0	SPI transaction has stopped Event not generated																											
			Generated	1	Event generated																											

6.23.6.6 EVENTS_ENDRX

Address offset: 0x110

End of RXD buffer reached

Bit number	31	30	29	28	27	26	25	24	23	22	21	20	19	18	17	16	15	14	13	12	11	10	9	8	7	6	5	4	3	2	1	0
ID																																A
Reset 0x00000000	0 0																															
ID	Acce	Field	Value ID	Value	Description																											
A	RW	EVENTS_ENDRX	NotGenerated	0	End of RXD buffer reached Event not generated																											
			Generated	1	Event generated																											

6.23.6.7 EVENTS_END

Address offset: 0x118

End of RXD buffer and TXD buffer reached

Bit number	31	30	29	28	27	26	25	24	23	22	21	20	19	18	17	16	15	14	13	12	11	10	9	8	7	6	5	4	3	2	1	0
ID																																A
Reset 0x00000000	0 0																															
ID	Acce Field	Value ID	Value	Description																												
A	RW EVENTS_END			End of RXD buffer and TXD buffer reached																												
		NotGenerated	0	Event not generated																												
		Generated	1	Event generated																												

6.23.6.8 EVENTS_ENDTX

Address offset: 0x120

End of TXD buffer reached

Bit number	31	30	29	28	27	26	25	24	23	22	21	20	19	18	17	16	15	14	13	12	11	10	9	8	7	6	5	4	3	2	1	0
ID																																A
Reset 0x00000000	0 0																															
ID	Acce Field	Value ID	Value	Description																												
A	RW EVENTS_ENDTX			End of TXD buffer reached																												
		NotGenerated	0	Event not generated																												
		Generated	1	Event generated																												

6.23.6.9 EVENTS_STARTED

Address offset: 0x14C

Transaction started

Bit number	31	30	29	28	27	26	25	24	23	22	21	20	19	18	17	16	15	14	13	12	11	10	9	8	7	6	5	4	3	2	1	0
ID																																A
Reset 0x00000000	0 0																															
ID	Acce Field	Value ID	Value	Description																												
A	RW EVENTS_STARTED			Transaction started																												
		NotGenerated	0	Event not generated																												
		Generated	1	Event generated																												

6.23.6.10 SHORTS

Address offset: 0x200

Shortcuts between local events and tasks

Bit number	31	30	29	28	27	26	25	24	23	22	21	20	19	18	17	16	15	14	13	12	11	10	9	8	7	6	5	4	3	2	1	0
ID																																A
Reset 0x00000000	0 0																															
ID	Acce Field	Value ID	Value	Description																												
A	RW END_START			Shortcut between event END and task START																												
		Disabled	0	Disable shortcut																												
		Enabled	1	Enable shortcut																												

6.23.6.11 INTENSET

Address offset: 0x304

Enable interrupt

Bit number		31 30 29 28 27 26 25 24 23 22 21 20 19 18 17 16 15 14 13 12 11 10 9 8 7 6 5 4 3 2 1 0																														
ID		E															D					C			B			A				
Reset 0x00000000		0 0																														
ID	Acce Field	Value ID	Value	Description																												
A	RW STOPPED			Write '1' to enable interrupt for event STOPPED																												
		Set	1	Enable																												
		Disabled	0	Read: Disabled																												
B	RW ENDRX	Enabled	1	Read: Enabled																												
		Set	1	Enable																												
		Disabled	0	Read: Disabled																												
C	RW END	Enabled	1	Read: Enabled																												
		Set	1	Enable																												
		Disabled	0	Read: Disabled																												
D	RW ENDTX	Enabled	1	Read: Enabled																												
		Set	1	Enable																												
		Disabled	0	Read: Disabled																												
E	RW STARTED	Enabled	1	Read: Enabled																												
		Set	1	Enable																												
		Disabled	0	Read: Disabled																												

6.23.6.12 INTENCLR

Address offset: 0x308

Disable interrupt

Bit number		31 30 29 28 27 26 25 24 23 22 21 20 19 18 17 16 15 14 13 12 11 10 9 8 7 6 5 4 3 2 1 0																														
ID		E															D					C			B			A				
Reset 0x00000000		0 0																														
ID	Acce Field	Value ID	Value	Description																												
A	RW STOPPED			Write '1' to disable interrupt for event STOPPED																												
		Clear	1	Disable																												
		Disabled	0	Read: Disabled																												
B	RW ENDRX	Enabled	1	Read: Enabled																												
		Clear	1	Disable																												
		Disabled	0	Read: Disabled																												
C	RW END	Enabled	1	Read: Enabled																												
		Clear	1	Disable																												
		Disabled	0	Read: Disabled																												
D	RW ENDTX	Enabled	1	Read: Enabled																												
		Clear	1	Disable																												
		Disabled	0	Read: Disabled																												
E	RW STARTED	Enabled	1	Read: Enabled																												
		Clear	1	Disable																												
		Disabled	0	Read: Disabled																												

Bit number	31	30	29	28	27	26	25	24	23	22	21	20	19	18	17	16	15	14	13	12	11	10	9	8	7	6	5	4	3	2	1	0
ID	E																D				C		B		A							
Reset	0x00000000																															
ID	Acce Field	Value ID	Value	Description																												
		Enabled	1	Read: Enabled																												

6.23.6.13 STALLSTAT

Address offset: 0x400

Stall status for EasyDMA RAM accesses. The fields in this register are set to STALL by hardware whenever a stall occurs and can be cleared (set to NOSTALL) by the CPU.

Bit number	31	30	29	28	27	26	25	24	23	22	21	20	19	18	17	16	15	14	13	12	11	10	9	8	7	6	5	4	3	2	1	0		
ID																															B		A	
Reset	0x00000000																																	
ID	Acce Field	Value ID	Value	Description																														
A	RW TX		[1..0]	Stall status for EasyDMA RAM reads																														
		NOSTALL	0	No stall																														
		STALL	1	A stall has occurred																														
B	RW RX		[1..0]	Stall status for EasyDMA RAM writes																														
		NOSTALL	0	No stall																														
		STALL	1	A stall has occurred																														

6.23.6.14 ENABLE

Address offset: 0x500

Enable SPIM

Bit number	31	30	29	28	27	26	25	24	23	22	21	20	19	18	17	16	15	14	13	12	11	10	9	8	7	6	5	4	3	2	1	0				
ID																															A		A		A	
Reset	0x00000000																																			
ID	Acce Field	Value ID	Value	Description																																
A	RW ENABLE			Enable or disable SPIM																																
		Disabled	0	Disable SPIM																																
		Enabled	7	Enable SPIM																																

6.23.6.15 PSEL.SCK

Address offset: 0x508

Pin select for SCK

Bit number	31	30	29	28	27	26	25	24	23	22	21	20	19	18	17	16	15	14	13	12	11	10	9	8	7	6	5	4	3	2	1	0		
ID	C																										B		A		A		A	
Reset	0xFFFFFFFF																																	
ID	Acce Field	Value ID	Value	Description																														
A	RW PIN		[0..31]	Pin number																														
B	RW PORT		[0..1]	Port number																														
C	RW CONNECT			Connection																														
		Disconnected	1	Disconnect																														
		Connected	0	Connect																														

6.23.6.16 PSEL.MOSI

Address offset: 0x50C

Pin select for MOSI signal

Bit number	31 30 29 28 27 26 25 24 23 22 21 20 19 18 17 16 15 14 13 12 11 10 9 8 7 6 5 4 3 2 1 0																														
ID	C																														
Reset 0xFFFFFFFF	1 1																														
ID	Acce Field	Value ID	Value	Description																											
A	RW PIN		[0..31]	Pin number																											
B	RW PORT		[0..1]	Port number																											
C	RW CONNECT			Connection																											
		Disconnected	1	Disconnect																											
		Connected	0	Connect																											

6.23.6.17 PSEL.MISO

Address offset: 0x510

Pin select for MISO signal

Bit number	31 30 29 28 27 26 25 24 23 22 21 20 19 18 17 16 15 14 13 12 11 10 9 8 7 6 5 4 3 2 1 0																														
ID	C																														
Reset 0xFFFFFFFF	1 1																														
ID	Acce Field	Value ID	Value	Description																											
A	RW PIN		[0..31]	Pin number																											
B	RW PORT		[0..1]	Port number																											
C	RW CONNECT			Connection																											
		Disconnected	1	Disconnect																											
		Connected	0	Connect																											

6.23.6.18 PSEL.CSN

Address offset: 0x514

Pin select for CSN

Bit number	31 30 29 28 27 26 25 24 23 22 21 20 19 18 17 16 15 14 13 12 11 10 9 8 7 6 5 4 3 2 1 0																														
ID	C																														
Reset 0xFFFFFFFF	1 1																														
ID	Acce Field	Value ID	Value	Description																											
A	RW PIN		[0..31]	Pin number																											
B	RW PORT		[0..1]	Port number																											
C	RW CONNECT			Connection																											
		Disconnected	1	Disconnect																											
		Connected	0	Connect																											

6.23.6.19 FREQUENCY

Address offset: 0x524

SPI frequency. Accuracy depends on the HFCLK source selected.

Bit number	31 30 29 28 27 26 25 24 23 22 21 20 19 18 17 16 15 14 13 12 11 10 9 8 7 6 5 4 3 2 1 0																															
ID	A A																															
Reset 0x04000000	0 0 0 0 0 1 0																															
ID	Acce Field	Value ID	Value	Description																												
A	RW	FREQUENCY		SPI master data rate																												
		K125	0x02000000	125 kbps																												
		K250	0x04000000	250 kbps																												
		K500	0x08000000	500 kbps																												
		M1	0x10000000	1 Mbps																												
		M2	0x20000000	2 Mbps																												
		M4	0x40000000	4 Mbps																												
		M8	0x80000000	8 Mbps																												
		M16	0x0A000000	16 Mbps																												
		M32	0x14000000	32 Mbps																												

6.23.6.20 RXD.PTR

Address offset: 0x534

Data pointer

Bit number	31 30 29 28 27 26 25 24 23 22 21 20 19 18 17 16 15 14 13 12 11 10 9 8 7 6 5 4 3 2 1 0																															
ID	A A																															
Reset 0x00000000	0 0																															
ID	Acce Field	Value ID	Value	Description																												
A	RW	PTR		Data pointer																												

See the memory chapter for details about which memories are available for EasyDMA.

6.23.6.21 RXD.MAXCNT

Address offset: 0x538

Maximum number of bytes in receive buffer

Bit number	31 30 29 28 27 26 25 24 23 22 21 20 19 18 17 16 15 14 13 12 11 10 9 8 7 6 5 4 3 2 1 0																															
ID	A A																															
Reset 0x00000000	0 0																															
ID	Acce Field	Value ID	Value	Description																												
A	RW	MAXCNT	[0..0xFFFF]	Maximum number of bytes in receive buffer																												

6.23.6.22 RXD.AMOUNT

Address offset: 0x53C

Number of bytes transferred in the last transaction

Bit number	31 30 29 28 27 26 25 24 23 22 21 20 19 18 17 16 15 14 13 12 11 10 9 8 7 6 5 4 3 2 1 0																															
ID	A A																															
Reset 0x00000000	0 0																															
ID	Acce Field	Value ID	Value	Description																												
A	R	AMOUNT	[0..0xFFFF]	Number of bytes transferred in the last transaction																												

EasyDMA list type

Bit number	31 30 29 28 27 26 25 24 23 22 21 20 19 18 17 16 15 14 13 12 11 10 9 8 7 6 5 4 3 2 1 0																															
ID																															A	A
Reset 0x00000000	0 0																															
ID	Acce Field	Value ID	Value	Description																												
A	RW LIST			List type																												
		Disabled	0	Disable EasyDMA list																												
		ArrayList	1	Use array list																												

6.23.6.28 CONFIG

Address offset: 0x554

Configuration register

Bit number	31 30 29 28 27 26 25 24 23 22 21 20 19 18 17 16 15 14 13 12 11 10 9 8 7 6 5 4 3 2 1 0																																
ID																															C	B	A
Reset 0x00000000	0 0																																
ID	Acce Field	Value ID	Value	Description																													
A	RW ORDER			Bit order																													
		MsbFirst	0	Most significant bit shifted out first																													
		LsbFirst	1	Least significant bit shifted out first																													
B	RW CPHA			Serial clock (SCK) phase																													
		Leading	0	Sample on leading edge of clock, shift serial data on trailing edge																													
		Trailing	1	Sample on trailing edge of clock, shift serial data on leading edge																													
C	RW CPOL			Serial clock (SCK) polarity																													
		ActiveHigh	0	Active high																													
		ActiveLow	1	Active low																													

6.23.6.29 IFTIMING.RXDELAY

Address offset: 0x560

Sample delay for input serial data on MISO

Bit number	31 30 29 28 27 26 25 24 23 22 21 20 19 18 17 16 15 14 13 12 11 10 9 8 7 6 5 4 3 2 1 0																																
ID																															A	A	A
Reset 0x00000002	0 1 0																																
ID	Acce Field	Value ID	Value	Description																													
A	RW RXDELAY		[7..0]	Sample delay for input serial data on MISO. The value specifies the number of 64 MHz clock cycles (15.625 ns) delay from the the sampling edge of SCK (leading edge for CONFIG.CPHA = 0, trailing edge for CONFIG.CPHA = 1) until the input serial data is sampled. As an example, if RXDELAY = 0 and CONFIG.CPHA = 0, the input serial data is sampled on the rising edge of SCK.																													

6.23.6.30 IFTIMING.CSNDUR

Address offset: 0x564

Bit number	31	30	29	28	27	26	25	24	23	22	21	20	19	18	17	16	15	14	13	12	11	10	9	8	7	6	5	4	3	2	1	0
ID																												A	A	A	A	
Reset 0x00000000	0 0																															
ID	Acce Field	Value ID	Value	Description																												
A	RW	DCXCNT	0x0..0xF	This register specifies the number of command bytes preceding the data bytes. The PSEL.DCX line will be low during transmission of command bytes and high during transmission of data bytes. Value 0xF indicates that all bytes are command bytes.																												

6.23.6.34 ORC

Address offset: 0x5C0

Byte transmitted after TXD.MAXCNT bytes have been transmitted in the case when RXD.MAXCNT is greater than TXD.MAXCNT

Bit number	31	30	29	28	27	26	25	24	23	22	21	20	19	18	17	16	15	14	13	12	11	10	9	8	7	6	5	4	3	2	1	0			
ID																												A	A	A	A	A	A	A	A
Reset 0x00000000	0 0																																		
ID	Acce Field	Value ID	Value	Description																															
A	RW	ORC		Byte transmitted after TXD.MAXCNT bytes have been transmitted in the case when RXD.MAXCNT is greater than TXD.MAXCNT.																															

6.23.7 Electrical specification

6.23.7.1 Timing specifications

Symbol	Description	Min.	Typ.	Max.	Units
f_{SPIM}	Bit rates for SPIM ²⁹			32	Mbps
$t_{SPIM,START}$	Time from START task to transmission started		1		μ s
$t_{SPIM,CCLK}$	SCK period	31.25			ns
$t_{SPIM,RSCK,LD}$	SCK rise time, standard drive ³⁰			$t_{RF,25pF}$	
$t_{SPIM,RSCK,HD}$	SCK rise time, high drive ³⁰			$t_{HRF,25pF}$	
$t_{SPIM,FSCK,LD}$	SCK fall time, standard drive ³⁰			$t_{RF,25pF}$	
$t_{SPIM,FSCK,HD}$	SCK fall time, high drive ³⁰			$t_{HRF,25pF}$	
$t_{SPIM,WHSCK}$	SCK high time ³⁰	$(t_{CCLK}/2)$ – t_{RSCK}			
$t_{SPIM,WLSCK}$	SCK low time ³⁰	$(t_{CCLK}/2)$ – t_{FSCK}			
$t_{SPIM,SUMI}$	MISO to CLK edge setup time	19			ns
$t_{SPIM,HMI}$	CLK edge to MISO hold time	18			ns
$t_{SPIM,VMO}$	CLK edge to MOSI valid, SCK frequency \leq 8 MHz			59	ns
$t_{SPIM,VMO,HS}$	CLK edge to MOSI valid, SCK frequency $>$ 8 MHz			8	ns
$t_{SPIM,HMO}$	MOSI hold time after CLK edge	20			ns

²⁹ High bit rates may require GPIOs to be set as High Drive, see GPIO chapter for more details.

³⁰ At 25 pF load, including GPIO pin capacitance, see [GPIO electrical specification](#).

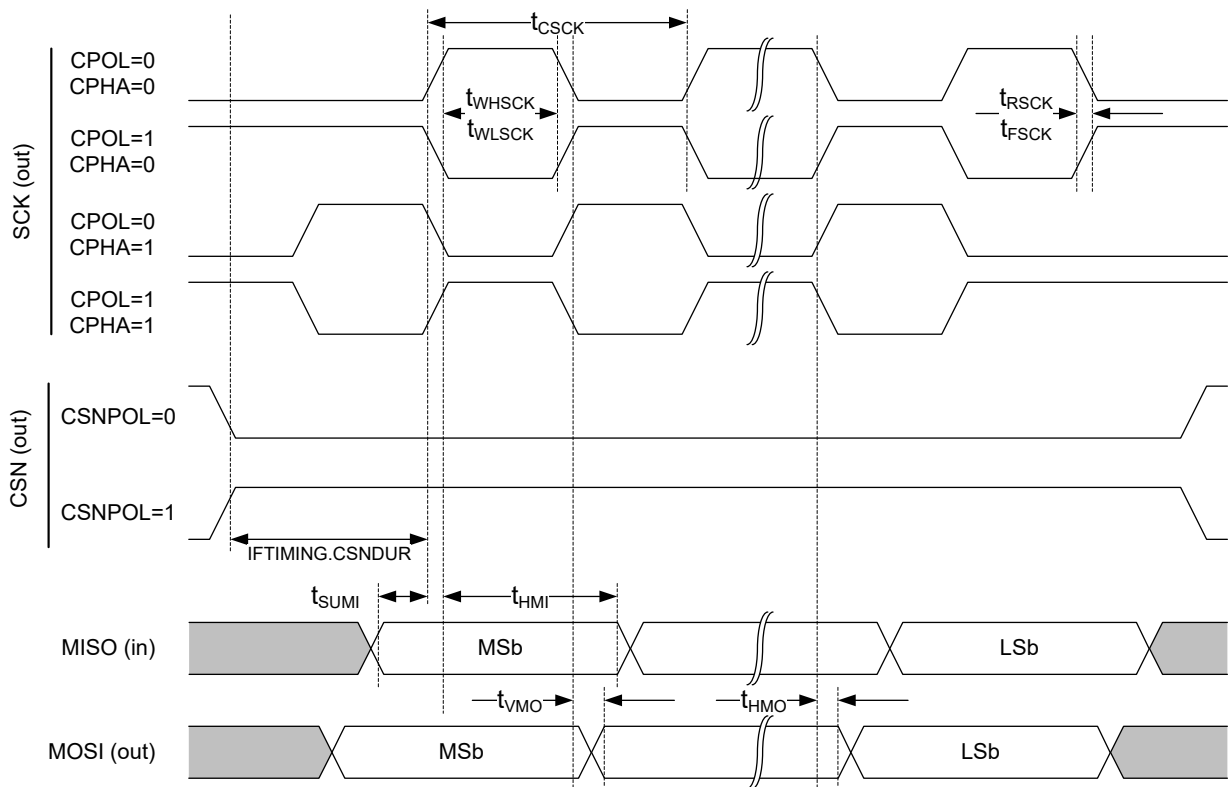


Figure 148: SPIM timing diagram

6.24 SPIS — Serial peripheral interface slave with EasyDMA

SPI slave (SPIS) is implemented with EasyDMA support for ultra-low power serial communication from an external SPI master. EasyDMA, in conjunction with hardware-based semaphore mechanisms, removes all real-time requirements associated with controlling the SPI slave from a low priority CPU execution context.

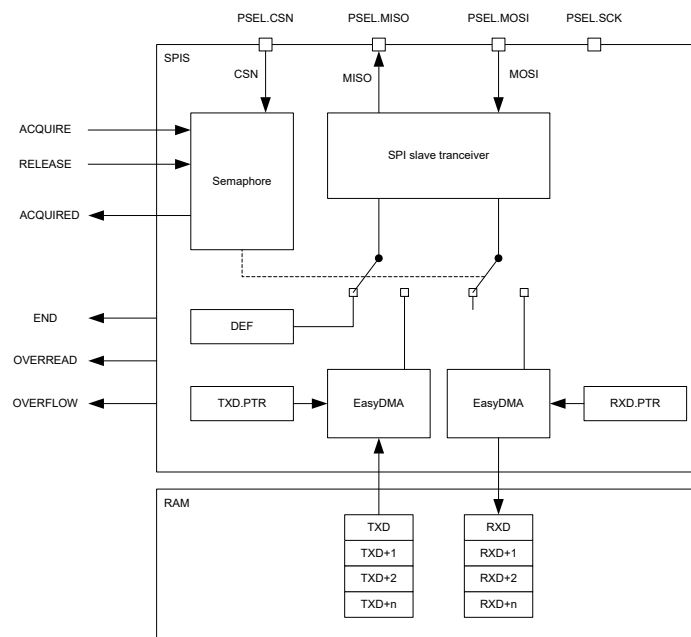


Figure 149: SPI slave

The SPIS supports SPI modes 0 through 3. The CONFIG register allows setting CPOL and CPHA appropriately.

Mode	Clock polarity	Clock phase
	CPOL	CPHA
SPI_MODE0	0 (Active High)	0 (Trailing Edge)
SPI_MODE1	0 (Active High)	1 (Leading Edge)
SPI_MODE2	1 (Active Low)	0 (Trailing Edge)
SPI_MODE3	1 (Active Low)	1 (Leading Edge)

Table 106: SPI modes

6.24.1 Shared resources

The SPI slave shares registers and other resources with other peripherals that have the same ID as the SPI slave. Therefore, you must disable all peripherals that have the same ID as the SPI slave before the SPI slave can be configured and used.

Disabling a peripheral that has the same ID as the SPI slave will not reset any of the registers that are shared with the SPI slave. It is important to configure all relevant SPI slave registers explicitly to secure that it operates correctly.

The Instantiation table in [Instantiation](#) on page 22 shows which peripherals have the same ID as the SPI slave.

6.24.2 EasyDMA

The SPIS implements EasyDMA for accessing RAM without CPU involvement.

The SPIS peripheral implements the following EasyDMA channels.

Channel	Type	Register Cluster
TXD	READER	TXD
RXD	WRITER	RXD

Table 107: SPIS EasyDMA Channels

For detailed information regarding the use of EasyDMA, see [EasyDMA](#) on page 44.

If RXD.MAXCNT is larger than TXD.MAXCNT, the remaining transmitted bytes will contain the value defined in the ORC register.

The END event indicates that EasyDMA has finished accessing the buffer in RAM.

6.24.3 SPI slave operation

SPI slave uses two memory pointers, RXD.PTR and TXD.PTR, that point to the RXD buffer (receive buffer) and TXD buffer (transmit buffer) respectively. Since these buffers are located in RAM, which can be accessed by both the SPI slave and the CPU, a hardware based semaphore mechanism is implemented to enable safe sharing.

See [SPI transaction when shortcut between END and ACQUIRE is enabled](#) on page 411.

Before the CPU can safely update the RXD.PTR and TXD.PTR pointers, it must first acquire the SPI semaphore. The CPU can acquire the semaphore by triggering the ACQUIRE task and then receiving the ACQUIRED event. When the CPU has updated the RXD.PTR and TXD.PTR pointers the CPU must release the semaphore before the SPI slave will be able to acquire it. The CPU releases the semaphore by triggering

the RELEASE task. This is illustrated in [SPI transaction when shortcut between END and ACQUIRE is enabled](#) on page 411. Triggering the RELEASE task when the semaphore is not granted to the CPU will have no effect.

The semaphore mechanism does not, at any time, prevent the CPU from performing read or write access to the RXD.PTR register, the TXD.PTR registers, or the RAM that these pointers are pointing to. The semaphore is only telling when these can be updated by the CPU so that safe sharing is achieved.

The semaphore is by default assigned to the CPU after the SPI slave is enabled. No ACQUIRED event will be generated for this initial semaphore handover. An ACQUIRED event will be generated immediately if the ACQUIRE task is triggered while the semaphore is assigned to the CPU.

The SPI slave will try to acquire the semaphore when CSN goes low. If the SPI slave does not manage to acquire the semaphore at this point, the transaction will be ignored. This means that all incoming data on MOSI will be discarded, and the DEF (default) character will be clocked out on the MISO line throughout the whole transaction. This will also be the case even if the semaphore is released by the CPU during the transaction. In case of a race condition where the CPU and the SPI slave try to acquire the semaphore at the same time, as illustrated in lifeline item 2 in [SPI transaction when shortcut between END and ACQUIRE is enabled](#) on page 411, the semaphore will be granted to the CPU.

If the SPI slave acquires the semaphore, the transaction will be granted. The incoming data on MOSI will be stored in the RXD buffer and the data in the TXD buffer will be clocked out on MISO.

When a granted transaction is completed and CSN goes high, the SPI slave will automatically release the semaphore and generate the END event.

As long as the semaphore is available, the SPI slave can be granted multiple transactions one after the other. If the CPU is not able to reconfigure the TXD.PTR and RXD.PTR between granted transactions, the same TX data will be clocked out and the RX buffers will be overwritten. To prevent this from happening, the END_ACQUIRE shortcut can be used. With this shortcut enabled, the semaphore will be handed over to the CPU automatically after the granted transaction has completed. This enables the CPU to update the TXPTR and RXPTR between every granted transaction.

If the CPU tries to acquire the semaphore while it is assigned to the SPI slave, an immediate handover will not be granted. However, the semaphore will be handed over to the CPU as soon as the SPI slave has released the semaphore after the granted transaction is completed. If the END_ACQUIRE shortcut is enabled and the CPU has triggered the ACQUIRE task during a granted transaction, only one ACQUIRE request will be served following the END event.

The MAXRX register specifies the maximum number of bytes the SPI slave can receive in one granted transaction. If the SPI slave receives more than MAXRX number of bytes, an OVERFLOW will be indicated in the STATUS register and the incoming bytes will be discarded.

The MAXTX parameter specifies the maximum number of bytes the SPI slave can transmit in one granted transaction. If the SPI slave is forced to transmit more than MAXTX number of bytes, an OVERREAD will be indicated in the STATUS register and the ORC character will be clocked out.

The RXD.AMOUNT and TXD.AMOUNT registers are updated when a granted transaction is completed. The TXD.AMOUNT register indicates how many bytes were read from the TX buffer in the last transaction. This does not include the ORC (over-read) characters. Similarly, the RXD.AMOUNT register indicates how many bytes were written into the RX buffer in the last transaction.

The ENDRX event is generated when the RX buffer has been filled.

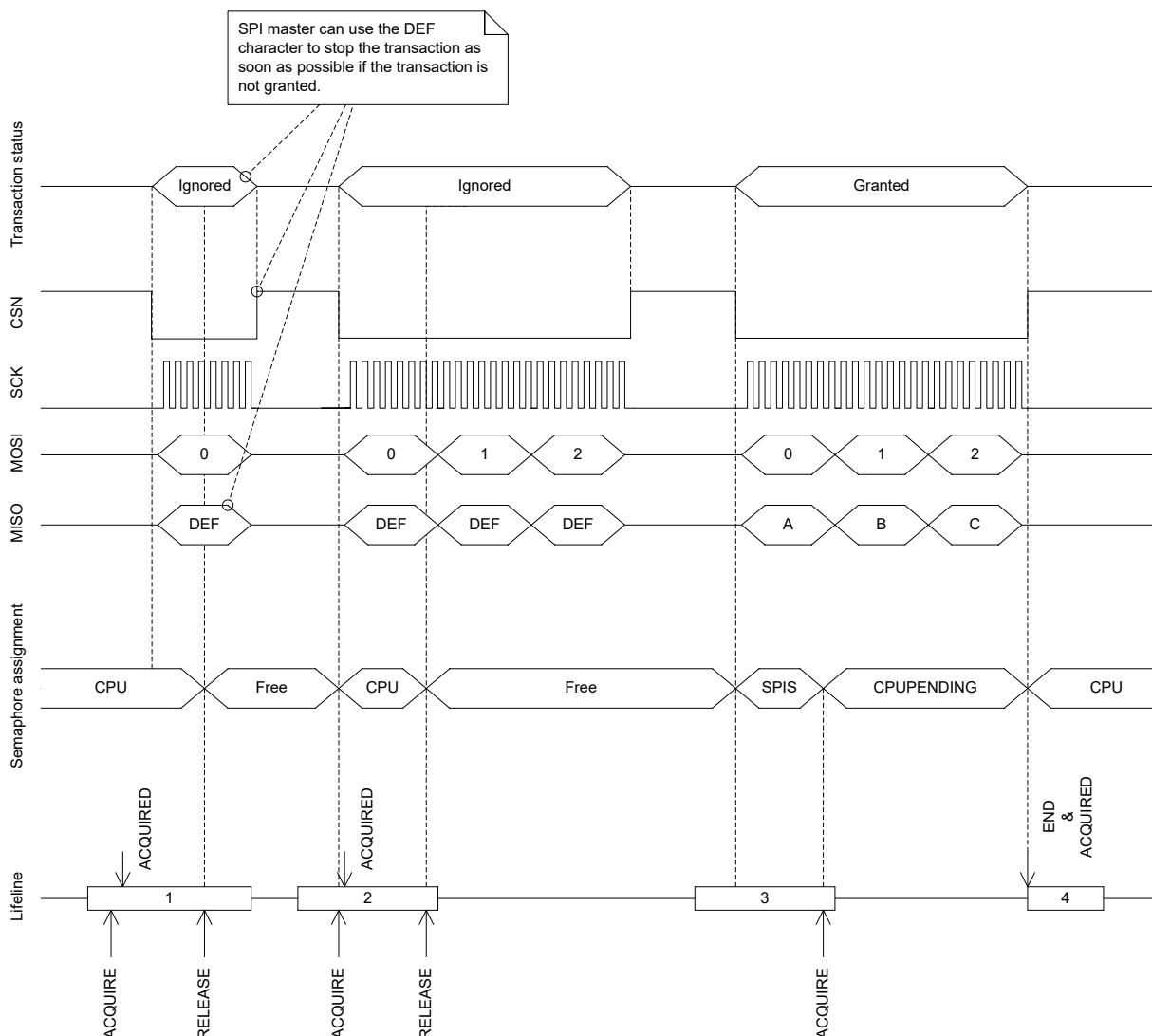


Figure 150: SPI transaction when shortcut between END and ACQUIRE is enabled

6.24.4 Pin configuration

The CSN, SCK, MOSI, and MISO signals associated with the SPI slave are mapped to physical pins according to the configuration specified in the PSEL.CSN, PSEL.SCK, PSEL.MOSI, and PSEL.MISO registers respectively. If the CONNECT field of any of these registers is set to Disconnected, the associated SPI slave signal will not be connected to any physical pins.

The PSEL.CSN, PSEL.SCK, PSEL.MOSI, and PSEL.MISO registers and their configurations are only used as long as the SPI slave is enabled, and retained only as long as the device is in System ON mode. See [POWER — Power supply](#) on page 61 chapter for more information about power modes. When the peripheral is disabled, the pins will behave as regular GPIOs and use the configuration in their respective OUT bit field and PIN_CNFG[n] register. PSEL.CSN, PSEL.SCK, PSEL.MOSI, and PSEL.MISO must only be configured when the SPI slave is disabled.

To secure correct behavior in the SPI slave, the pins used by the SPI slave must be configured in the GPIO peripheral as described in [GPIO configuration before enabling peripheral](#) on page 412 before enabling the SPI slave. This is to secure that the pins used by the SPI slave are driven correctly if the SPI slave itself is temporarily disabled, or if the device temporarily enters System OFF. This configuration must be retained in the GPIO for the selected I/Os as long as the SPI slave is to be recognized by an external SPI master.

The MISO line is set in high impedance as long as the SPI slave is not selected with CSN.

Only one peripheral can be assigned to drive a particular GPIO pin at a time. Failing to do so may result in unpredictable behavior.

SPI signal	SPI pin	Direction	Output value	Comment
CSN	As specified in PSEL.CSN	Input	Not applicable	
SCK	As specified in PSEL.SCK	Input	Not applicable	
MOSI	As specified in PSEL.MOSI	Input	Not applicable	
MISO	As specified in PSEL.MISO	Input	Not applicable	Emulates that the SPI slave is not selected.

Table 108: GPIO configuration before enabling peripheral

6.24.5 Registers

Base address	Peripheral	Instance	Description	Configuration
0x40003000	SPIS	SPIS0	SPI slave 0	
0x40004000	SPIS	SPIS1	SPI slave 1	
0x40023000	SPIS	SPIS2	SPI slave 2	

Table 109: Instances

Register	Offset	Description	
TASKS_ACQUIRE	0x024	Acquire SPI semaphore	
TASKS_RELEASE	0x028	Release SPI semaphore, enabling the SPI slave to acquire it	
EVENTS_END	0x104	Granted transaction completed	
EVENTS_ENDRX	0x110	End of RXD buffer reached	
EVENTS_ACQUIRED	0x128	Semaphore acquired	
SHORTS	0x200	Shortcuts between local events and tasks	
INTENSET	0x304	Enable interrupt	
INTENCLR	0x308	Disable interrupt	
SEMSTAT	0x400	Semaphore status register	
STATUS	0x440	Status from last transaction	
ENABLE	0x500	Enable SPI slave	
PSEL.SCK	0x508	Pin select for SCK	
PSEL.MISO	0x50C	Pin select for MISO signal	
PSEL.MOSI	0x510	Pin select for MOSI signal	
PSEL.CSN	0x514	Pin select for CSN signal	
PSELSCK	0x508	Pin select for SCK	Deprecated
PSELMISO	0x50C	Pin select for MISO	Deprecated
PSELMOSI	0x510	Pin select for MOSI	Deprecated
PSELCSN	0x514	Pin select for CSN	Deprecated
RXDPTR	0x534	RXD data pointer	Deprecated
MAXRX	0x538	Maximum number of bytes in receive buffer	Deprecated
AMOUNTRX	0x53C	Number of bytes received in last granted transaction	Deprecated
RXD.PTR	0x534	RXD data pointer	
RXD.MAXCNT	0x538	Maximum number of bytes in receive buffer	
RXD.AMOUNT	0x53C	Number of bytes received in last granted transaction	
RXD.LIST	0x540	EasyDMA list type	
TXDPTR	0x544	TXD data pointer	Deprecated
MAXTX	0x548	Maximum number of bytes in transmit buffer	Deprecated
AMOUNTTX	0x54C	Number of bytes transmitted in last granted transaction	Deprecated
TXD.PTR	0x544	TXD data pointer	
TXD.MAXCNT	0x548	Maximum number of bytes in transmit buffer	
TXD.AMOUNT	0x54C	Number of bytes transmitted in last granted transaction	

Register	Offset	Description
TXD.LIST	0x550	EasyDMA list type
CONFIG	0x554	Configuration register
DEF	0x55C	Default character. Character clocked out in case of an ignored transaction.
ORC	0x5C0	Over-read character

Table 110: Register overview

6.24.5.1 TASKS_ACQUIRE

Address offset: 0x024

Acquire SPI semaphore

Bit number	31 30 29 28 27 26 25 24 23 22 21 20 19 18 17 16 15 14 13 12 11 10 9 8 7 6 5 4 3 2 1 0																															
ID																																A
Reset 0x00000000	0 0																															
ID	Acce Field	Value ID	Value	Description																												
A	W TASKS_ACQUIRE			Acquire SPI semaphore																												
		Trigger	1	Trigger task																												

6.24.5.2 TASKS_RELEASE

Address offset: 0x028

Release SPI semaphore, enabling the SPI slave to acquire it

Bit number	31 30 29 28 27 26 25 24 23 22 21 20 19 18 17 16 15 14 13 12 11 10 9 8 7 6 5 4 3 2 1 0																															
ID																																A
Reset 0x00000000	0 0																															
ID	Acce Field	Value ID	Value	Description																												
A	W TASKS_RELEASE			Release SPI semaphore, enabling the SPI slave to acquire it																												
		Trigger	1	Trigger task																												

6.24.5.3 EVENTS_END

Address offset: 0x104

Granted transaction completed

Bit number	31 30 29 28 27 26 25 24 23 22 21 20 19 18 17 16 15 14 13 12 11 10 9 8 7 6 5 4 3 2 1 0																															
ID																																A
Reset 0x00000000	0 0																															
ID	Acce Field	Value ID	Value	Description																												
A	RW EVENTS_END			Granted transaction completed																												
		NotGenerated	0	Event not generated																												
		Generated	1	Event generated																												

6.24.5.4 EVENTS_ENDRX

Address offset: 0x110

End of RXD buffer reached

Bit number	31	30	29	28	27	26	25	24	23	22	21	20	19	18	17	16	15	14	13	12	11	10	9	8	7	6	5	4	3	2	1	0
ID																																A
Reset	0x00000000																															
Reset	0 0																															
ID	Acce Field	Value ID	Value	Description																												
A	RW	EVENTS_ENDRX		End of RXD buffer reached																												
			NotGenerated	0	Event not generated																											
			Generated	1	Event generated																											

6.24.5.5 EVENTS_ACQUIRED

Address offset: 0x128

Semaphore acquired

Bit number	31	30	29	28	27	26	25	24	23	22	21	20	19	18	17	16	15	14	13	12	11	10	9	8	7	6	5	4	3	2	1	0
ID																																A
Reset	0x00000000																															
Reset	0 0																															
ID	Acce Field	Value ID	Value	Description																												
A	RW	EVENTS_ACQUIRED		Semaphore acquired																												
			NotGenerated	0	Event not generated																											
			Generated	1	Event generated																											

6.24.5.6 SHORTS

Address offset: 0x200

Shortcuts between local events and tasks

Bit number	31	30	29	28	27	26	25	24	23	22	21	20	19	18	17	16	15	14	13	12	11	10	9	8	7	6	5	4	3	2	1	0
ID																																A
Reset	0x00000000																															
Reset	0 0																															
ID	Acce Field	Value ID	Value	Description																												
A	RW	END_ACQUIRE		Shortcut between event END and task ACQUIRE																												
			Disabled	0	Disable shortcut																											
			Enabled	1	Enable shortcut																											

6.24.5.7 INTENSET

Address offset: 0x304

Enable interrupt

Bit number	31	30	29	28	27	26	25	24	23	22	21	20	19	18	17	16	15	14	13	12	11	10	9	8	7	6	5	4	3	2	1	0
ID																												C	B	A		
Reset	0x00000000																															
Reset	0 0																															
ID	Acce Field	Value ID	Value	Description																												
A	RW	END		Write '1' to enable interrupt for event END																												
			Set	1	Enable																											
			Disabled	0	Read: Disabled																											
			Enabled	1	Read: Enabled																											
B	RW	ENDRX		Write '1' to enable interrupt for event ENDRX																												
			Set	1	Enable																											
			Disabled	0	Read: Disabled																											
			Enabled	1	Read: Enabled																											
C	RW	ACQUIRED		Write '1' to enable interrupt for event ACQUIRED																												

Bit number	31	30	29	28	27	26	25	24	23	22	21	20	19	18	17	16	15	14	13	12	11	10	9	8	7	6	5	4	3	2	1	0										
ID																								C			B			A												
Reset	0x00000000																																									
Reset	0 0																																									
ID	Acce	Field	Value ID	Value	Description																																					
			Set	1	Enable																																					
			Disabled	0	Read: Disabled																																					
			Enabled	1	Read: Enabled																																					

6.24.5.8 INTENCLR

Address offset: 0x308

Disable interrupt

Bit number	31	30	29	28	27	26	25	24	23	22	21	20	19	18	17	16	15	14	13	12	11	10	9	8	7	6	5	4	3	2	1	0										
ID																								C			B			A												
Reset	0x00000000																																									
Reset	0 0																																									
ID	Acce	Field	Value ID	Value	Description																																					
A	RW	END			Write '1' to disable interrupt for event END																																					
			Clear	1	Disable																																					
			Disabled	0	Read: Disabled																																					
		Enabled	1	Read: Enabled																																						
B	RW	ENDRX			Write '1' to disable interrupt for event ENDRX																																					
			Clear	1	Disable																																					
			Disabled	0	Read: Disabled																																					
		Enabled	1	Read: Enabled																																						
C	RW	ACQUIRED			Write '1' to disable interrupt for event ACQUIRED																																					
			Clear	1	Disable																																					
			Disabled	0	Read: Disabled																																					
		Enabled	1	Read: Enabled																																						

6.24.5.9 SEMSTAT

Address offset: 0x400

Semaphore status register

Bit number	31	30	29	28	27	26	25	24	23	22	21	20	19	18	17	16	15	14	13	12	11	10	9	8	7	6	5	4	3	2	1	0							
ID																								A			A												
Reset	0x00000001																																						
Reset	0 1																																						
ID	Acce	Field	Value ID	Value	Description																																		
A	R	SEMSTAT			Semaphore status																																		
			Free	0	Semaphore is free																																		
			CPU	1	Semaphore is assigned to CPU																																		
			SPIS	2	Semaphore is assigned to SPI slave																																		
			CPUPending	3	Semaphore is assigned to SPI but a handover to the CPU is pending																																		

6.24.5.10 STATUS

Address offset: 0x440

Status from last transaction

Individual bits are cleared by writing a 1 to the bits that shall be cleared

Bit number	31 30 29 28 27 26 25 24 23 22 21 20 19 18 17 16 15 14 13 12 11 10 9 8 7 6 5 4 3 2 1 0																															
ID																															B	A
Reset 0x00000000	0 0																															
ID	Acce Field	Value ID	Value	Description																												
A	RW OVERREAD			TX buffer over-read detected, and prevented																												
		NotPresent	0	Read: error not present																												
		Present	1	Read: error present																												
		Clear	1	Write: clear error on writing '1'																												
B	RW OVERFLOW			RX buffer overflow detected, and prevented																												
		NotPresent	0	Read: error not present																												
		Present	1	Read: error present																												
		Clear	1	Write: clear error on writing '1'																												

6.24.5.11 ENABLE

Address offset: 0x500

Enable SPI slave

Bit number	31 30 29 28 27 26 25 24 23 22 21 20 19 18 17 16 15 14 13 12 11 10 9 8 7 6 5 4 3 2 1 0																																	
ID																															A	A	A	A
Reset 0x00000000	0 0																																	
ID	Acce Field	Value ID	Value	Description																														
A	RW ENABLE			Enable or disable SPI slave																														
		Disabled	0	Disable SPI slave																														
		Enabled	2	Enable SPI slave																														

6.24.5.12 PSEL.SCK

Address offset: 0x508

Pin select for SCK

Bit number	31 30 29 28 27 26 25 24 23 22 21 20 19 18 17 16 15 14 13 12 11 10 9 8 7 6 5 4 3 2 1 0																																			
ID																															C	B	A	A	A	A
Reset 0xFFFFFFFF	1 1																																			
ID	Acce Field	Value ID	Value	Description																																
A	RW PIN		[0..31]	Pin number																																
B	RW PORT		[0..1]	Port number																																
C	RW CONNECT			Connection																																
		Disconnected	1	Disconnect																																
		Connected	0	Connect																																

6.24.5.13 PSEL.MISO

Address offset: 0x50C

Pin select for MISO signal

Bit number	31 30 29 28 27 26 25 24 23 22 21 20 19 18 17 16 15 14 13 12 11 10 9 8 7 6 5 4 3 2 1 0																																		
ID	C																												B			A	A	A	A
Reset 0xFFFFFFFF	1 1																																		
ID	Acce Field	Value ID	Value	Description																															
A	RW PIN		[0..31]	Pin number																															
B	RW PORT		[0..1]	Port number																															
C	RW CONNECT			Connection																															
		Disconnected	1	Disconnect																															
		Connected	0	Connect																															

6.24.5.14 PSEL.MOSI

Address offset: 0x510

Pin select for MOSI signal

Bit number	31 30 29 28 27 26 25 24 23 22 21 20 19 18 17 16 15 14 13 12 11 10 9 8 7 6 5 4 3 2 1 0																																		
ID	C																												B			A	A	A	A
Reset 0xFFFFFFFF	1 1																																		
ID	Acce Field	Value ID	Value	Description																															
A	RW PIN		[0..31]	Pin number																															
B	RW PORT		[0..1]	Port number																															
C	RW CONNECT			Connection																															
		Disconnected	1	Disconnect																															
		Connected	0	Connect																															

6.24.5.15 PSEL.CSN

Address offset: 0x514

Pin select for CSN signal

Bit number	31 30 29 28 27 26 25 24 23 22 21 20 19 18 17 16 15 14 13 12 11 10 9 8 7 6 5 4 3 2 1 0																																		
ID	C																												B			A	A	A	A
Reset 0xFFFFFFFF	1 1																																		
ID	Acce Field	Value ID	Value	Description																															
A	RW PIN		[0..31]	Pin number																															
B	RW PORT		[0..1]	Port number																															
C	RW CONNECT			Connection																															
		Disconnected	1	Disconnect																															
		Connected	0	Connect																															

6.24.5.16 PSEL.SCK (Deprecated)

Address offset: 0x508

Pin select for SCK

Bit number	31 30 29 28 27 26 25 24 23 22 21 20 19 18 17 16 15 14 13 12 11 10 9 8 7 6 5 4 3 2 1 0																																
ID	A	A	A	A	A	A	A	A	A	A	A	A	A	A	A	A	A	A	A	A	A	A	A	A	A	A	A	A	A	A	A	A	A
Reset 0xFFFFFFFF	1 1																																
ID	Acce Field	Value ID	Value	Description																													
A	RW PSEL.SCK		[0..31]	Pin number configuration for SPI SCK signal																													
		Disconnected	0xFFFFFFFF	Disconnect																													

6.24.5.17 PSELMISO (Deprecated)

Address offset: 0x50C

Pin select for MISO

Bit number	31 30 29 28 27 26 25 24 23 22 21 20 19 18 17 16 15 14 13 12 11 10 9 8 7 6 5 4 3 2 1 0																															
ID	A A																															
Reset 0xFFFFFFFF	1 1																															
ID	Acce Field	Value ID	Value	Description																												
A	RW PSELMISO	Disconnected	[0..31] 0xFFFFFFFF	Pin number configuration for SPI MISO signal Disconnect																												

6.24.5.18 PSELMOSI (Deprecated)

Address offset: 0x510

Pin select for MOSI

Bit number	31 30 29 28 27 26 25 24 23 22 21 20 19 18 17 16 15 14 13 12 11 10 9 8 7 6 5 4 3 2 1 0																															
ID	A A																															
Reset 0xFFFFFFFF	1 1																															
ID	Acce Field	Value ID	Value	Description																												
A	RW PSELMOSI	Disconnected	[0..31] 0xFFFFFFFF	Pin number configuration for SPI MOSI signal Disconnect																												

6.24.5.19 PSELCSN (Deprecated)

Address offset: 0x514

Pin select for CSN

Bit number	31 30 29 28 27 26 25 24 23 22 21 20 19 18 17 16 15 14 13 12 11 10 9 8 7 6 5 4 3 2 1 0																															
ID	A A																															
Reset 0xFFFFFFFF	1 1																															
ID	Acce Field	Value ID	Value	Description																												
A	RW PSELCSN	Disconnected	[0..31] 0xFFFFFFFF	Pin number configuration for SPI CSN signal Disconnect																												

6.24.5.20 RXDPTR (Deprecated)

Address offset: 0x534

RXD data pointer

Bit number	31 30 29 28 27 26 25 24 23 22 21 20 19 18 17 16 15 14 13 12 11 10 9 8 7 6 5 4 3 2 1 0																															
ID	A A																															
Reset 0x00000000	0 0																															
ID	Acce Field	Value ID	Value	Description																												
A	RW RXDPTR			RXD data pointer																												

See the memory chapter for details about which memories are available for EasyDMA.

6.24.5.21 MAXRX (Deprecated)

Address offset: 0x538

Maximum number of bytes in receive buffer

Bit number	31	30	29	28	27	26	25	24	23	22	21	20	19	18	17	16	15	14	13	12	11	10	9	8	7	6	5	4	3	2	1	0																
ID																	A	A	A	A	A	A	A	A	A	A	A	A	A	A	A	A	A	A	A	A	A	A	A	A	A	A	A	A	A	A	A	A
Reset 0x00000000	0																0	0	0	0	0	0	0	0	0	0	0	0	0	0	0	0	0	0	0	0	0	0	0	0	0	0	0	0	0	0	0	0
ID	Acce Field	Value ID	Value	Description																																												
A	RW	MAXRX	[0..0xFFFF]	Maximum number of bytes in receive buffer																																												

6.24.5.22 AMOUNTRX (Deprecated)

Address offset: 0x53C

Number of bytes received in last granted transaction

Bit number	31	30	29	28	27	26	25	24	23	22	21	20	19	18	17	16	15	14	13	12	11	10	9	8	7	6	5	4	3	2	1	0																
ID																	A	A	A	A	A	A	A	A	A	A	A	A	A	A	A	A	A	A	A	A	A	A	A	A	A	A	A	A	A	A	A	A
Reset 0x00000000	0																0	0	0	0	0	0	0	0	0	0	0	0	0	0	0	0	0	0	0	0	0	0	0	0	0	0	0	0	0	0	0	0
ID	Acce Field	Value ID	Value	Description																																												
A	R	AMOUNTRX	[0..0xFFFF]	Number of bytes received in the last granted transaction																																												

6.24.5.23 RXD.PTR

Address offset: 0x534

RXD data pointer

Bit number	31	30	29	28	27	26	25	24	23	22	21	20	19	18	17	16	15	14	13	12	11	10	9	8	7	6	5	4	3	2	1	0													
ID	A	A	A	A	A	A	A	A	A	A	A	A	A	A	A	A	A	A	A	A	A	A	A	A	A	A	A	A	A	A	A	A	A												
Reset 0x00000000	0																0	0	0	0	0	0	0	0	0	0	0	0	0	0	0	0	0	0	0	0	0	0	0	0	0	0	0	0	0
ID	Acce Field	Value ID	Value	Description																																									
A	RW	PTR		RXD data pointer																																									

See the memory chapter for details about which memories are available for EasyDMA.

6.24.5.24 RXD.MAXCNT

Address offset: 0x538

Maximum number of bytes in receive buffer

Bit number	31	30	29	28	27	26	25	24	23	22	21	20	19	18	17	16	15	14	13	12	11	10	9	8	7	6	5	4	3	2	1	0																	
ID																	A	A	A	A	A	A	A	A	A	A	A	A	A	A	A	A	A	A	A	A	A	A	A	A	A	A	A	A	A	A	A	A	
Reset 0x00000000	0																0	0	0	0	0	0	0	0	0	0	0	0	0	0	0	0	0	0	0	0	0	0	0	0	0	0	0	0	0	0	0	0	0
ID	Acce Field	Value ID	Value	Description																																													
A	RW	MAXCNT	[0..0xFFFF]	Maximum number of bytes in receive buffer																																													

6.24.5.25 RXD.AMOUNT

Address offset: 0x53C

Number of bytes received in last granted transaction

Bit number	31	30	29	28	27	26	25	24	23	22	21	20	19	18	17	16	15	14	13	12	11	10	9	8	7	6	5	4	3	2	1	0
ID	A A																															
Reset 0x00000000	0 0																															
ID	Acce Field	Value ID	Value	Description																												
A	R	AMOUNT	[0..0xFFFF]	Number of bytes received in the last granted transaction																												

6.24.5.26 RXD.LIST

Address offset: 0x540

EasyDMA list type

Bit number	31	30	29	28	27	26	25	24	23	22	21	20	19	18	17	16	15	14	13	12	11	10	9	8	7	6	5	4	3	2	1	0
ID	A A																															
Reset 0x00000000	0 0																															
ID	Acce Field	Value ID	Value	Description																												
A	RW	LIST		List type																												
		Disabled	0	Disable EasyDMA list																												
		ArrayList	1	Use array list																												

6.24.5.27 TXDPTR (Deprecated)

Address offset: 0x544

TXD data pointer

Bit number	31	30	29	28	27	26	25	24	23	22	21	20	19	18	17	16	15	14	13	12	11	10	9	8	7	6	5	4	3	2	1	0
ID	A A																															
Reset 0x00000000	0 0																															
ID	Acce Field	Value ID	Value	Description																												
A	RW	TXDPTR		TXD data pointer																												
				See the memory chapter for details about which memories are available for EasyDMA.																												

6.24.5.28 MAXTX (Deprecated)

Address offset: 0x548

Maximum number of bytes in transmit buffer

Bit number	31	30	29	28	27	26	25	24	23	22	21	20	19	18	17	16	15	14	13	12	11	10	9	8	7	6	5	4	3	2	1	0
ID	A A																															
Reset 0x00000000	0 0																															
ID	Acce Field	Value ID	Value	Description																												
A	RW	MAXTX	[0..0xFFFF]	Maximum number of bytes in transmit buffer																												

6.24.5.29 AMOUNTTX (Deprecated)

Address offset: 0x54C

Number of bytes transmitted in last granted transaction

Bit number	31	30	29	28	27	26	25	24	23	22	21	20	19	18	17	16	15	14	13	12	11	10	9	8	7	6	5	4	3	2	1	0
ID																															A	A
Reset 0x00000000	0 0																															
ID	Acce Field	Value ID	Value	Description																												
A	RW LIST	Disabled	0	Disable EasyDMA list																												
		ArrayList	1	Use array list																												

6.24.5.34 CONFIG

Address offset: 0x554

Configuration register

Bit number	31	30	29	28	27	26	25	24	23	22	21	20	19	18	17	16	15	14	13	12	11	10	9	8	7	6	5	4	3	2	1	0	
ID																															C	B	A
Reset 0x00000000	0 0																																
ID	Acce Field	Value ID	Value	Description																													
A	RW ORDER	MsbFirst	0	Most significant bit shifted out first																													
		LsbFirst	1	Least significant bit shifted out first																													
B	RW CPHA	Leading	0	Sample on leading edge of clock, shift serial data on trailing edge																													
		Trailing	1	Sample on trailing edge of clock, shift serial data on leading edge																													
C	RW CPOL	ActiveHigh	0	Active high																													
		ActiveLow	1	Active low																													

6.24.5.35 DEF

Address offset: 0x55C

Default character. Character clocked out in case of an ignored transaction.

Bit number	31	30	29	28	27	26	25	24	23	22	21	20	19	18	17	16	15	14	13	12	11	10	9	8	7	6	5	4	3	2	1	0					
ID																															A	A	A	A	A	A	A
Reset 0x00000000	0 0																																				
ID	Acce Field	Value ID	Value	Description																																	
A	RW DEF			Default character. Character clocked out in case of an ignored transaction.																																	

6.24.5.36 ORC

Address offset: 0x5C0

Over-read character

Bit number	31	30	29	28	27	26	25	24	23	22	21	20	19	18	17	16	15	14	13	12	11	10	9	8	7	6	5	4	3	2	1	0					
ID																															A	A	A	A	A	A	A
Reset 0x00000000	0 0																																				
ID	Acce Field	Value ID	Value	Description																																	
A	RW ORC			Over-read character. Character clocked out after an over-read of the transmit buffer.																																	

6.24.6 Electrical specification

6.24.6.1 SPIS slave interface electrical specifications

Symbol	Description	Min.	Typ.	Max.	Units
f_{SPIS}	Bit rates for SPIS ³¹			8^{32}	Mbps
$t_{\text{SPIS,START}}$	Time from RELEASE task to receive/transmit (CSN active)		0.125		μs

6.24.6.2 Serial Peripheral Interface Slave (SPIS) timing specifications

Symbol	Description	Min.	Typ.	Max.	Units
$t_{\text{SPIS,CSCKIN}}$	SCK input period	125			ns
$t_{\text{SPIS,RFSCCKIN}}$	SCK input rise/fall time			30	ns
$t_{\text{SPIS,WHSCCKIN}}$	SCK input high time	30			ns
$t_{\text{SPIS,WLSCCKIN}}$	SCK input low time	30			ns
$t_{\text{SPIS,SUCSN}}$	CSN to CLK setup time	1000			ns
$t_{\text{SPIS,HCSN}}$	CLK to CSN hold time	1000			ns
$t_{\text{SPIS,ASA}}$	CSN to MISO driven	0			ns
$t_{\text{SPIS,ASO}}$	CSN to MISO valid ³³			1000	ns
$t_{\text{SPIS,DISSO}}$	CSN to MISO disabled ³³			68	ns
$t_{\text{SPIS,CWH}}$	CSN inactive time	300			ns
$t_{\text{SPIS,VSO}}$	CLK edge to MISO valid			19	ns
$t_{\text{SPIS,HSD}}$	MISO hold time after CLK edge	18^{34}			ns
$t_{\text{SPIS,SUSI}}$	MOSI to CLK edge setup time	59			ns
$t_{\text{SPIS,HSI}}$	CLK edge to MOSI hold time	20			ns

³¹ High bit rates may require GPIOs to be set as High Drive, see GPIO chapter for more details.

³² The actual maximum data rate depends on the master's CLK to MISO and MOSI setup and hold timings.

³³ At 25 pF load, including GPIO capacitance, see [GPIO electrical specification](#).

³⁴ This is to ensure compatibility to SPI masters sampling MISO on the same edge as MOSI is output

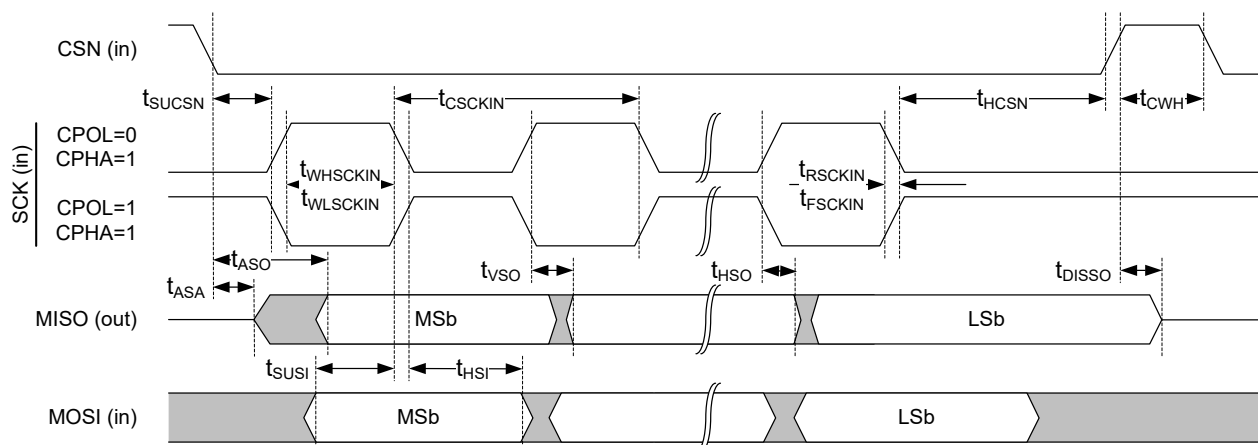
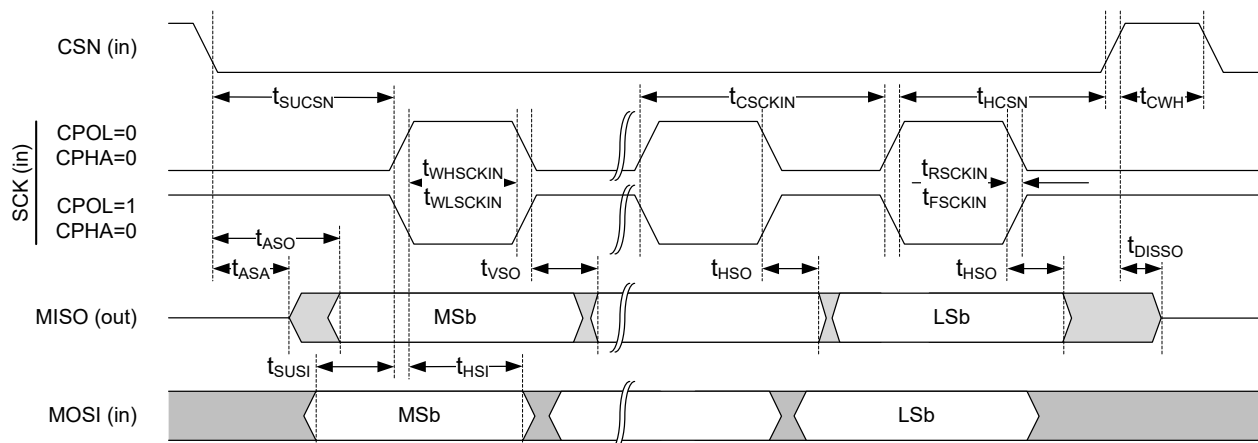


Figure 151: SPIS timing diagram

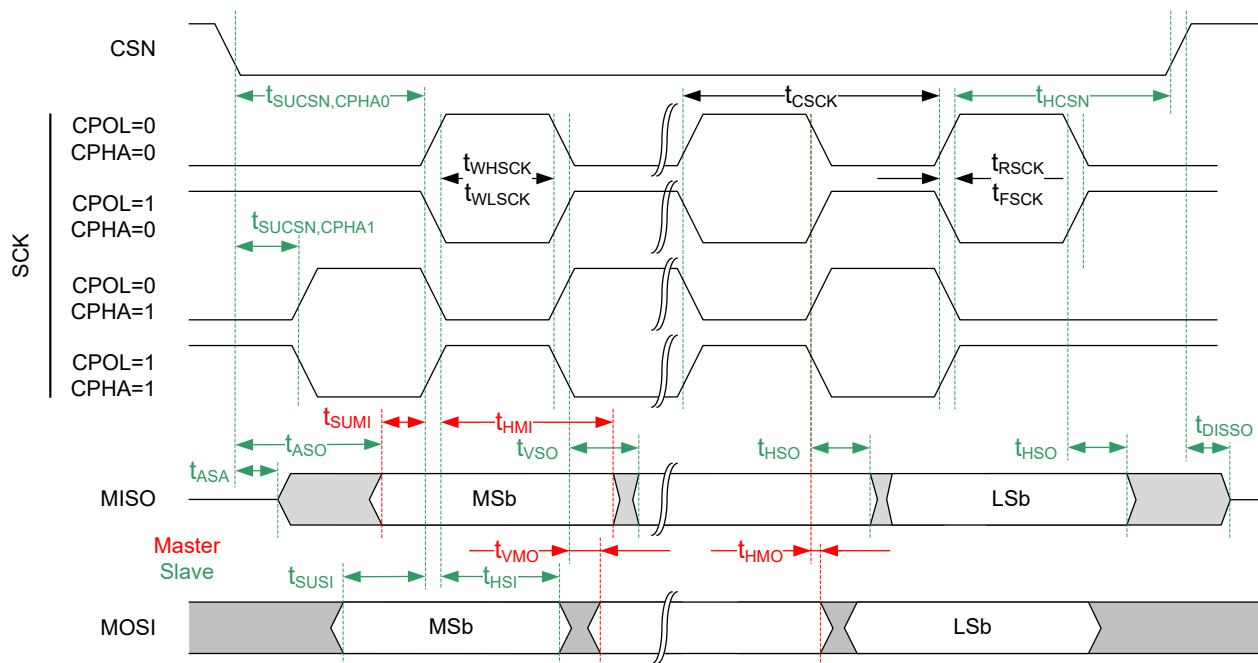


Figure 152: Common SPIM and SPIS timing diagram

6.25 SWI — Software interrupts

A set of interrupts have been reserved for use as software interrupts.

6.25.1 Registers

Base address	Peripheral	Instance	Description	Configuration
0x40014000	SWI	SWI0	Software interrupt 0	
0x40015000	SWI	SWI1	Software interrupt 1	
0x40016000	SWI	SWI2	Software interrupt 2	
0x40017000	SWI	SWI3	Software interrupt 3	
0x40018000	SWI	SWI4	Software interrupt 4	
0x40019000	SWI	SWI5	Software interrupt 5	

Table 111: Instances

6.26 TEMP — Temperature sensor

The temperature sensor measures die temperature over the temperature range of the device. Linearity compensation can be implemented if required by the application.

Listed here are the main features for TEMP:

- Temperature range is greater than or equal to operating temperature of the device
- Resolution is 0.25 degrees

TEMP is started by triggering the START task.

When the temperature measurement is completed, a DATARDY event will be generated and the result of the measurement can be read from the TEMP register.

To achieve the measurement accuracy stated in the electrical specification, the crystal oscillator must be selected as the HFCLK source, see [CLOCK — Clock control](#) on page 82 for more information.

When the temperature measurement is completed, TEMP analog electronics power down to save power.

TEMP only supports one-shot operation, meaning that every TEMP measurement has to be explicitly started using the START task.

6.26.1 Registers

Base address	Peripheral	Instance	Description	Configuration
0x4000C000	TEMP	TEMP	Temperature sensor	

Table 112: Instances

Register	Offset	Description
TASKS_START	0x000	Start temperature measurement
TASKS_STOP	0x004	Stop temperature measurement
EVENTS_DATARDY	0x100	Temperature measurement complete, data ready
INTENSET	0x304	Enable interrupt
INTENCLR	0x308	Disable interrupt
TEMP	0x508	Temperature in °C (0.25° steps)
A0	0x520	Slope of first piecewise linear function

Register	Offset	Description
A1	0x524	Slope of second piecewise linear function
A2	0x528	Slope of third piecewise linear function
A3	0x52C	Slope of fourth piecewise linear function
A4	0x530	Slope of fifth piecewise linear function
A5	0x534	Slope of sixth piecewise linear function
B0	0x540	y-intercept of first piecewise linear function
B1	0x544	y-intercept of second piecewise linear function
B2	0x548	y-intercept of third piecewise linear function
B3	0x54C	y-intercept of fourth piecewise linear function
B4	0x550	y-intercept of fifth piecewise linear function
B5	0x554	y-intercept of sixth piecewise linear function
T0	0x560	End point of first piecewise linear function
T1	0x564	End point of second piecewise linear function
T2	0x568	End point of third piecewise linear function
T3	0x56C	End point of fourth piecewise linear function
T4	0x570	End point of fifth piecewise linear function

Table 113: Register overview

6.26.1.1 TASKS_START

Address offset: 0x000

Start temperature measurement

Bit number	31 30 29 28 27 26 25 24 23 22 21 20 19 18 17 16 15 14 13 12 11 10 9 8 7 6 5 4 3 2 1 0																															
ID																																A
Reset 0x00000000	0 0																															
ID	Acce Field	Value ID	Value	Description																												
A	W TASKS_START			Start temperature measurement																												
		Trigger	1	Trigger task																												

6.26.1.2 TASKS_STOP

Address offset: 0x004

Stop temperature measurement

Bit number	31 30 29 28 27 26 25 24 23 22 21 20 19 18 17 16 15 14 13 12 11 10 9 8 7 6 5 4 3 2 1 0																															
ID																																A
Reset 0x00000000	0 0																															
ID	Acce Field	Value ID	Value	Description																												
A	W TASKS_STOP			Stop temperature measurement																												
		Trigger	1	Trigger task																												

6.26.1.3 EVENTS_DATARDY

Address offset: 0x100

Temperature measurement complete, data ready

Bit number	31 30 29 28 27 26 25 24 23 22 21 20 19 18 17 16 15 14 13 12 11 10 9 8 7 6 5 4 3 2 1 0																														
ID	A																														
Reset 0x00000000	0 0																														
ID	Acce Field	Value ID	Value	Description																											
A	RW EVENTS_DATARDY			Temperature measurement complete, data ready																											
		NotGenerated	0	Event not generated																											
		Generated	1	Event generated																											

6.26.1.4 INTENSET

Address offset: 0x304

Enable interrupt

Bit number	31 30 29 28 27 26 25 24 23 22 21 20 19 18 17 16 15 14 13 12 11 10 9 8 7 6 5 4 3 2 1 0																														
ID	A																														
Reset 0x00000000	0 0																														
ID	Acce Field	Value ID	Value	Description																											
A	RW DATARDY			Write '1' to enable interrupt for event DATARDY																											
		Set	1	Enable																											
		Disabled	0	Read: Disabled																											
		Enabled	1	Read: Enabled																											

6.26.1.5 INTENCLR

Address offset: 0x308

Disable interrupt

Bit number	31 30 29 28 27 26 25 24 23 22 21 20 19 18 17 16 15 14 13 12 11 10 9 8 7 6 5 4 3 2 1 0																														
ID	A																														
Reset 0x00000000	0 0																														
ID	Acce Field	Value ID	Value	Description																											
A	RW DATARDY			Write '1' to disable interrupt for event DATARDY																											
		Clear	1	Disable																											
		Disabled	0	Read: Disabled																											
		Enabled	1	Read: Enabled																											

6.26.1.6 TEMP

Address offset: 0x508

Temperature in °C (0.25° steps)

Bit number	31 30 29 28 27 26 25 24 23 22 21 20 19 18 17 16 15 14 13 12 11 10 9 8 7 6 5 4 3 2 1 0																														
ID	A A																														
Reset 0x00000000	0 0																														
ID	Acce Field	Value ID	Value	Description																											
A	R	TEMP		Temperature in °C (0.25° steps)																											
				Result of temperature measurement. Die temperature in °C, 2's complement format, 0.25 °C steps.																											
				Decision point: DATARDY																											

6.26.1.7 A0

Address offset: 0x520

Slope of first piecewise linear function

Bit number	31	30	29	28	27	26	25	24	23	22	21	20	19	18	17	16	15	14	13	12	11	10	9	8	7	6	5	4	3	2	1	0																							
ID																							A	A	A	A	A	A	A	A	A	A	A	A	A	A	A	A	A	A	A	A	A	A	A	A	A	A	A	A	A	A	A		
Reset 0x00000326																							0	0	0	0	0	0	0	0	0	0	0	0	0	0	0	0	0	0	0	0	0	0	0	1	1	0	0	1	0	0	1	1	0
ID	Acce	Field	Value ID	Value	Description																																																		
A	RW	A0			Slope of first piecewise linear function																																																		

6.26.1.8 A1

Address offset: 0x524

Slope of second piecewise linear function

Bit number	31	30	29	28	27	26	25	24	23	22	21	20	19	18	17	16	15	14	13	12	11	10	9	8	7	6	5	4	3	2	1	0																							
ID																							A	A	A	A	A	A	A	A	A	A	A	A	A	A	A	A	A	A	A	A	A	A	A	A	A	A	A	A	A	A	A		
Reset 0x00000348																							0	0	0	0	0	0	0	0	0	0	0	0	0	0	0	0	0	0	0	0	0	0	0	1	1	0	1	0	0	1	0	0	0
ID	Acce	Field	Value ID	Value	Description																																																		
A	RW	A1			Slope of second piecewise linear function																																																		

6.26.1.9 A2

Address offset: 0x528

Slope of third piecewise linear function

Bit number	31	30	29	28	27	26	25	24	23	22	21	20	19	18	17	16	15	14	13	12	11	10	9	8	7	6	5	4	3	2	1	0																							
ID																							A	A	A	A	A	A	A	A	A	A	A	A	A	A	A	A	A	A	A	A	A	A	A	A	A	A	A	A	A	A	A		
Reset 0x000003AA																							0	0	0	0	0	0	0	0	0	0	0	0	0	0	0	0	0	0	0	0	0	0	0	1	1	1	0	1	0	1	0	1	0
ID	Acce	Field	Value ID	Value	Description																																																		
A	RW	A2			Slope of third piecewise linear function																																																		

6.26.1.10 A3

Address offset: 0x52C

Slope of fourth piecewise linear function

Bit number	31	30	29	28	27	26	25	24	23	22	21	20	19	18	17	16	15	14	13	12	11	10	9	8	7	6	5	4	3	2	1	0																								
ID																							A	A	A	A	A	A	A	A	A	A	A	A	A	A	A	A	A	A	A	A	A	A	A	A	A	A	A	A	A	A	A			
Reset 0x0000040E																							0	0	0	0	0	0	0	0	0	0	0	0	0	0	0	0	0	0	0	0	0	0	0	1	0	0	0	0	0	0	1	1	1	0
ID	Acce	Field	Value ID	Value	Description																																																			
A	RW	A3			Slope of fourth piecewise linear function																																																			

6.26.1.11 A4

Address offset: 0x530

Slope of fifth piecewise linear function

Bit number	31	30	29	28	27	26	25	24	23	22	21	20	19	18	17	16	15	14	13	12	11	10	9	8	7	6	5	4	3	2	1	0																								
ID																								A	A	A	A	A	A	A	A	A	A	A	A	A	A	A	A	A	A	A	A	A	A	A	A	A	A	A	A	A	A	A		
Reset 0x00004BD																								0	0	0	0	0	0	0	0	0	0	0	0	0	0	0	0	0	0	0	0	0	0	1	0	0	1	0	1	1	1	1	0	1
ID	Acce Field	Value ID	Value	Description																																																				
A	RW	A4		Slope of fifth piecewise linear function																																																				

6.26.1.12 A5

Address offset: 0x534

Slope of sixth piecewise linear function

Bit number	31	30	29	28	27	26	25	24	23	22	21	20	19	18	17	16	15	14	13	12	11	10	9	8	7	6	5	4	3	2	1	0																								
ID																								A	A	A	A	A	A	A	A	A	A	A	A	A	A	A	A	A	A	A	A	A	A	A	A	A	A	A	A	A	A			
Reset 0x00005A3																								0	0	0	0	0	0	0	0	0	0	0	0	0	0	0	0	0	0	0	0	0	0	1	0	1	1	0	1	0	0	0	1	1
ID	Acce Field	Value ID	Value	Description																																																				
A	RW	A5		Slope of sixth piecewise linear function																																																				

6.26.1.13 B0

Address offset: 0x540

y-intercept of first piecewise linear function

Bit number	31	30	29	28	27	26	25	24	23	22	21	20	19	18	17	16	15	14	13	12	11	10	9	8	7	6	5	4	3	2	1	0																								
ID																								A	A	A	A	A	A	A	A	A	A	A	A	A	A	A	A	A	A	A	A	A	A	A	A	A	A	A	A	A	A			
Reset 0x00003FEF																								0	0	0	0	0	0	0	0	0	0	0	0	0	0	0	0	0	0	0	0	0	0	1	1	1	1	1	1	1	1	1	1	1
ID	Acce Field	Value ID	Value	Description																																																				
A	RW	B0		y-intercept of first piecewise linear function																																																				

6.26.1.14 B1

Address offset: 0x544

y-intercept of second piecewise linear function

Bit number	31	30	29	28	27	26	25	24	23	22	21	20	19	18	17	16	15	14	13	12	11	10	9	8	7	6	5	4	3	2	1	0																									
ID																								A	A	A	A	A	A	A	A	A	A	A	A	A	A	A	A	A	A	A	A	A	A	A	A	A	A	A	A	A	A				
Reset 0x00003FBE																								0	0	0	0	0	0	0	0	0	0	0	0	0	0	0	0	0	0	0	0	0	0	1	1	1	1	1	1	0	1	1	1	1	0
ID	Acce Field	Value ID	Value	Description																																																					
A	RW	B1		y-intercept of second piecewise linear function																																																					

6.26.1.15 B2

Address offset: 0x548

y-intercept of third piecewise linear function

Bit number	31	30	29	28	27	26	25	24	23	22	21	20	19	18	17	16	15	14	13	12	11	10	9	8	7	6	5	4	3	2	1	0																									
ID																								A	A	A	A	A	A	A	A	A	A	A	A	A	A	A	A	A	A	A	A	A	A	A	A	A	A	A	A	A	A				
Reset 0x00003FBE																								0	0	0	0	0	0	0	0	0	0	0	0	0	0	0	0	0	0	0	0	0	0	1	1	1	1	1	1	0	1	1	1	1	0
ID	Acce Field	Value ID	Value	Description																																																					
A	RW	B2		y-intercept of third piecewise linear function																																																					

6.26.1.16 B3

Address offset: 0x54C

y-intercept of fourth piecewise linear function

Bit number	31	30	29	28	27	26	25	24	23	22	21	20	19	18	17	16	15	14	13	12	11	10	9	8	7	6	5	4	3	2	1	0																									
ID																								A	A	A	A	A	A	A	A	A	A	A	A	A	A	A	A	A	A	A	A	A	A	A	A	A	A	A	A	A	A	A			
Reset 0x00000012																								0	0	0	0	0	0	0	0	0	0	0	0	0	0	0	0	0	0	0	0	0	0	0	0	0	0	0	0	0	1	0	0	1	0
ID	Acce Field	Value ID	Value	Description																																																					
A	RW	B3		y-intercept of fourth piecewise linear function																																																					

6.26.1.17 B4

Address offset: 0x550

y-intercept of fifth piecewise linear function

Bit number	31	30	29	28	27	26	25	24	23	22	21	20	19	18	17	16	15	14	13	12	11	10	9	8	7	6	5	4	3	2	1	0																								
ID																								A	A	A	A	A	A	A	A	A	A	A	A	A	A	A	A	A	A	A	A	A	A	A	A	A	A	A	A	A	A	A		
Reset 0x00000124																								0	0	0	0	0	0	0	0	0	0	0	0	0	0	0	0	0	0	0	0	0	0	0	1	0	0	1	0	0	1	0	0	0
ID	Acce Field	Value ID	Value	Description																																																				
A	RW	B4		y-intercept of fifth piecewise linear function																																																				

6.26.1.18 B5

Address offset: 0x554

y-intercept of sixth piecewise linear function

Bit number	31	30	29	28	27	26	25	24	23	22	21	20	19	18	17	16	15	14	13	12	11	10	9	8	7	6	5	4	3	2	1	0																								
ID																								A	A	A	A	A	A	A	A	A	A	A	A	A	A	A	A	A	A	A	A	A	A	A	A	A	A	A	A	A	A	A		
Reset 0x0000027C																								0	0	0	0	0	0	0	0	0	0	0	0	0	0	0	0	0	0	0	0	0	0	1	0	0	1	1	1	1	1	0	0	0
ID	Acce Field	Value ID	Value	Description																																																				
A	RW	B5		y-intercept of sixth piecewise linear function																																																				

6.26.1.19 T0

Address offset: 0x560

End point of first piecewise linear function

Bit number	31	30	29	28	27	26	25	24	23	22	21	20	19	18	17	16	15	14	13	12	11	10	9	8	7	6	5	4	3	2	1	0																								
ID																								A	A	A	A	A	A	A	A	A	A	A	A	A	A	A	A	A	A	A	A	A	A	A	A	A	A	A	A	A	A	A		
Reset 0x000000E2																								0	0	0	0	0	0	0	0	0	0	0	0	0	0	0	0	0	0	0	0	0	0	0	1	1	1	0	0	0	1	0	0	0
ID	Acce Field	Value ID	Value	Description																																																				
A	RW	T0		End point of first piecewise linear function																																																				

6.26.1.20 T1

Address offset: 0x564

End point of second piecewise linear function

Bit number	31	30	29	28	27	26	25	24	23	22	21	20	19	18	17	16	15	14	13	12	11	10	9	8	7	6	5	4	3	2	1	0
ID	A A A A A A A A																															
Reset 0x00000000	0 0																															
ID	Acce Field	Value ID	Value	Description																												
A	RW	T1		End point of second piecewise linear function																												

6.26.1.21 T2

Address offset: 0x568

End point of third piecewise linear function

Bit number	31	30	29	28	27	26	25	24	23	22	21	20	19	18	17	16	15	14	13	12	11	10	9	8	7	6	5	4	3	2	1	0
ID	A A A A A A A A																															
Reset 0x00000019	0 1 1 0 0 1																															
ID	Acce Field	Value ID	Value	Description																												
A	RW	T2		End point of third piecewise linear function																												

6.26.1.22 T3

Address offset: 0x56C

End point of fourth piecewise linear function

Bit number	31	30	29	28	27	26	25	24	23	22	21	20	19	18	17	16	15	14	13	12	11	10	9	8	7	6	5	4	3	2	1	0
ID	A A A A A A A A																															
Reset 0x0000003C	0 1 1 1 1 0 0																															
ID	Acce Field	Value ID	Value	Description																												
A	RW	T3		End point of fourth piecewise linear function																												

6.26.1.23 T4

Address offset: 0x570

End point of fifth piecewise linear function

Bit number	31	30	29	28	27	26	25	24	23	22	21	20	19	18	17	16	15	14	13	12	11	10	9	8	7	6	5	4	3	2	1	0
ID	A A A A A A A A																															
Reset 0x00000050	0 1 0 1 0 0 0 0																															
ID	Acce Field	Value ID	Value	Description																												
A	RW	T4		End point of fifth piecewise linear function																												

6.26.2 Electrical specification

6.26.2.1 Temperature Sensor Electrical Specification

Symbol	Description	Min.	Typ.	Max.	Units
t _{TEMP}	Time required for temperature measurement		36		μs
T _{TEMP,RANGE}	Temperature sensor range	-40		105	°C
T _{TEMP,ACC}	Temperature sensor accuracy	-5		5	°C
T _{TEMP,ACC,EXT}	Temperature sensor accuracy, extended temperature range	-7		7	°C
T _{TEMP,RES}	Temperature sensor resolution		0.25		°C
T _{TEMP,STB}	Sample to sample stability at constant device temperature		±0.25		°C
T _{TEMP,OFFST}	Sample offset at 25°C	-2.5		2.5	°C

6.27 TWI — I²C compatible two-wire interface

The TWI master is compatible with I²C operating at 100 kHz and 400 kHz.

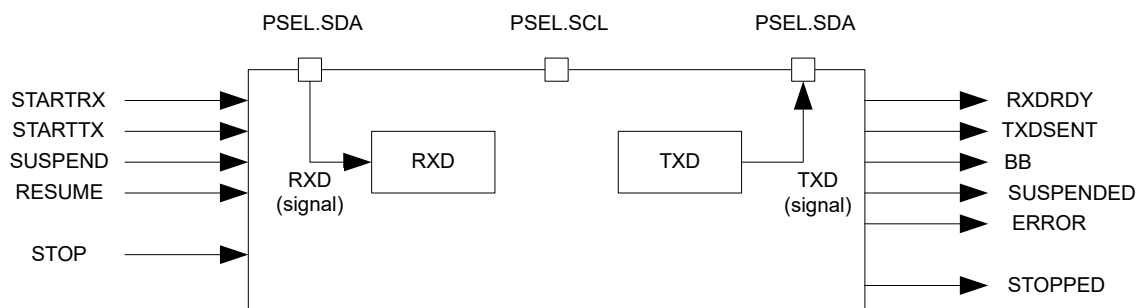


Figure 153: TWI master's main features

6.27.1 Functional description

This TWI master is not compatible with CBUS. The TWI transmitter and receiver are single buffered.

See [TWI master's main features](#) on page 432.

A TWI setup with one master and three slaves is shown in the following figure. This TWI master is only able to operate as the only master on the TWI bus.

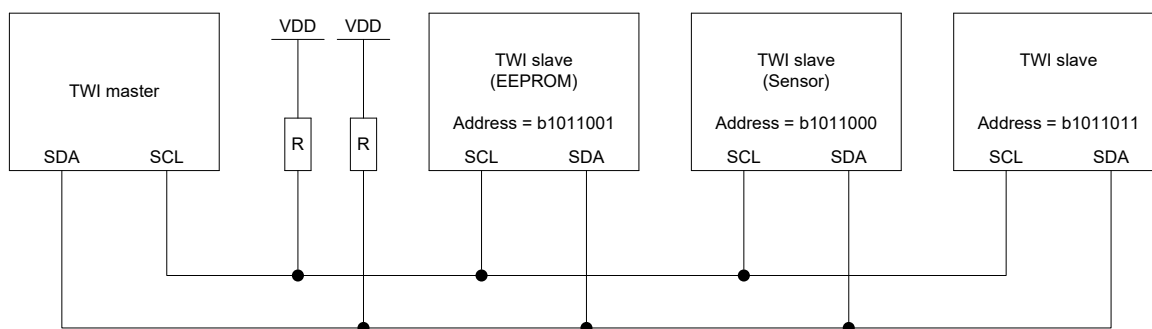


Figure 154: A typical TWI setup with one master and three slaves

This TWI master supports clock stretching performed by the slaves. The TWI master is started by triggering the STARTTX or STARTRX tasks, and stopped by triggering the STOP task.

If a NACK is clocked in from the slave, the TWI master will generate an ERROR event.

6.27.2 Master mode pin configuration

The different signals SCL and SDA associated with the TWI master are mapped to physical pins according to the configuration specified in the PSEL.SCL and PSEL.SDA registers respectively.

If the CONNECT field of a PSEL.xxx register is set to Disconnected, the associated TWI signal is not connected to any physical pin. The PSEL.SCL and PSEL.SDA registers and their configurations are only used as long as the TWI master is enabled, and retained only as long as the device is in ON mode. PSEL.SCL and PSEL.SDA must only be configured when TWI is disabled.

To secure correct signal levels on the pins used by the TWI master when the system is in OFF mode, and when the TWI master is disabled, these pins must be configured in the GPIO peripheral as described in [GPIO configuration](#) on page 433.

Only one peripheral can be assigned to drive a particular GPIO pin at a time, failing to do so may result in unpredictable behavior.

TWI master signal	TWI master pin	Direction	Drive strength	Output value
SCL	As specified in PSEL.SCL	Input	S0D1	Not applicable
SDA	As specified in PSEL.SDA	Input	S0D1	Not applicable

Table 114: GPIO configuration

6.27.3 Shared resources

TWI shares registers and other resources with other peripherals that have the same ID as TWI.

Therefore, you must disable all peripherals that have the same ID as TWI before TWI can be configured and used. Disabling a peripheral that has the same ID as TWI will not reset any of the registers that are shared with TWI. It is therefore important to configure all relevant TWI registers explicitly to secure that it operates correctly.

The Instantiation table in [Instantiation](#) on page 22 shows which peripherals have the same ID as TWI.

6.27.4 Master write sequence

A TWI master write sequence is started by triggering the STARTTX task. After the STARTTX task has been triggered, the TWI master will generate a start condition on the TWI bus, followed by clocking out the address and the READ/WRITE bit set to 0 (WRITE=0, READ=1).

The address must match the address of the slave device that the master wants to write to. The READ/WRITE bit is followed by an ACK/NACK bit (ACK=0 or NACK=1) generated by the slave.

After receiving the ACK bit, the TWI master will clock out the data bytes that are written to the TXD register. Each byte clocked out from the master will be followed by an ACK/NACK bit clocked in from the slave. A TXDSENT event will be generated each time the TWI master has clocked out a TXD byte, and the associated ACK/NACK bit has been clocked in from the slave.

The TWI master transmitter is single buffered. A second byte can only be written to the TXD register after the previous byte has been clocked out and the ACK/NACK bit clocked in, that is, after the TXDSENT event has been generated.

If the CPU is prevented from writing to TXD when the TWI master is ready to clock out a byte, the TWI master will stretch the clock until the CPU has written a byte to the TXD register.

A typical TWI master write sequence is illustrated in [The TWI master writing data to a slave](#) on page 434. Occurrence 3 in the figure illustrates delayed processing of the TXDSENT event associated with TXD byte 1. In this scenario the TWI master will stretch the clock to prevent writing erroneous data to the slave.

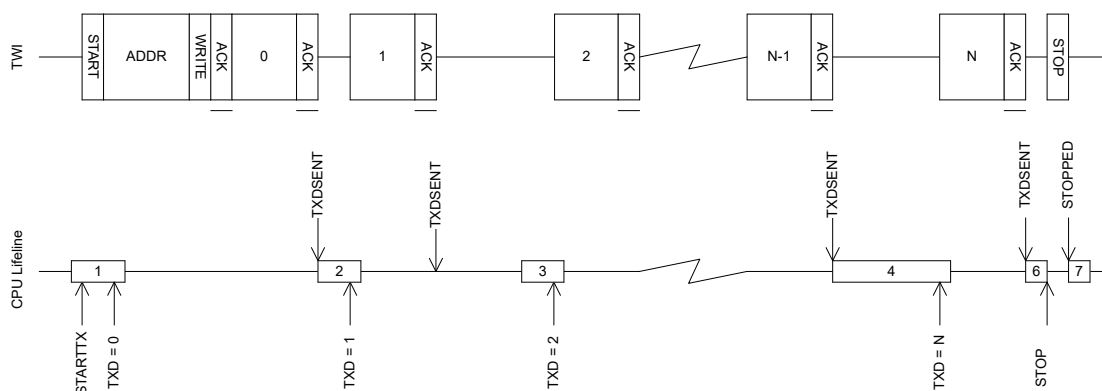


Figure 155: The TWI master writing data to a slave

The TWI master write sequence is stopped when the STOP task is triggered, causing the TWI master to generate a stop condition on the TWI bus.

6.27.5 Master read sequence

A TWI master read sequence is started by triggering the STARTRX task. After the STARTRX task has been triggered, the TWI master will generate a start condition on the TWI bus, followed by clocking out the address and the READ/WRITE bit set to 1 (WRITE = 0, READ = 1).

The address must match the address of the slave device that the master wants to read from. The READ/WRITE bit is followed by an ACK/NACK bit (ACK=0 or NACK = 1) generated by the slave.

After having sent the ACK bit, the TWI slave will send data to the master using the clock generated by the master.

The TWI master will generate a RXDRDY event every time a new byte is received in the RXD register.

After receiving a byte, the TWI master will delay sending the ACK/NACK bit by stretching the clock until the CPU has extracted the received byte, by reading the RXD register.

The TWI master read sequence is stopped by triggering the STOP task. This task must be triggered before the last byte is extracted from RXD to ensure that the TWI master sends a NACK back to the slave before generating the stop condition.

A typical TWI master read sequence is illustrated in [The TWI master reading data from a slave](#) on page 435. Occurrence 3 in this figure illustrates delayed processing of the RXDRDY event associated with RXD byte B. In this scenario the TWI master will stretch the clock to prevent the slave from overwriting the contents of the RXD register.

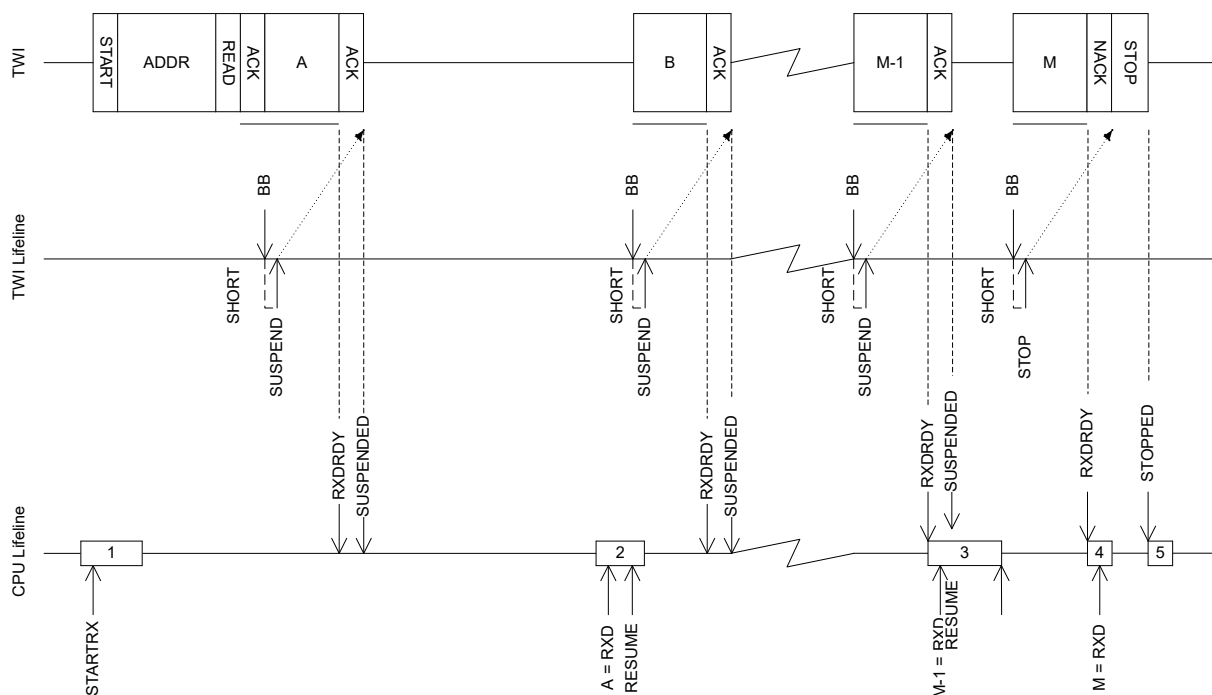


Figure 156: The TWI master reading data from a slave

6.27.6 Master repeated start sequence

A typical repeated start sequence is one in which the TWI master writes one byte to the slave followed by reading M bytes from the slave. Any combination and number of transmit and receive sequences can be combined in this fashion. Only one shortcut to STOP can be enabled at any given time.

The following figure shows a repeated start sequence where the TWI master writes one byte, followed by reading M bytes from the slave without performing a stop in-between.

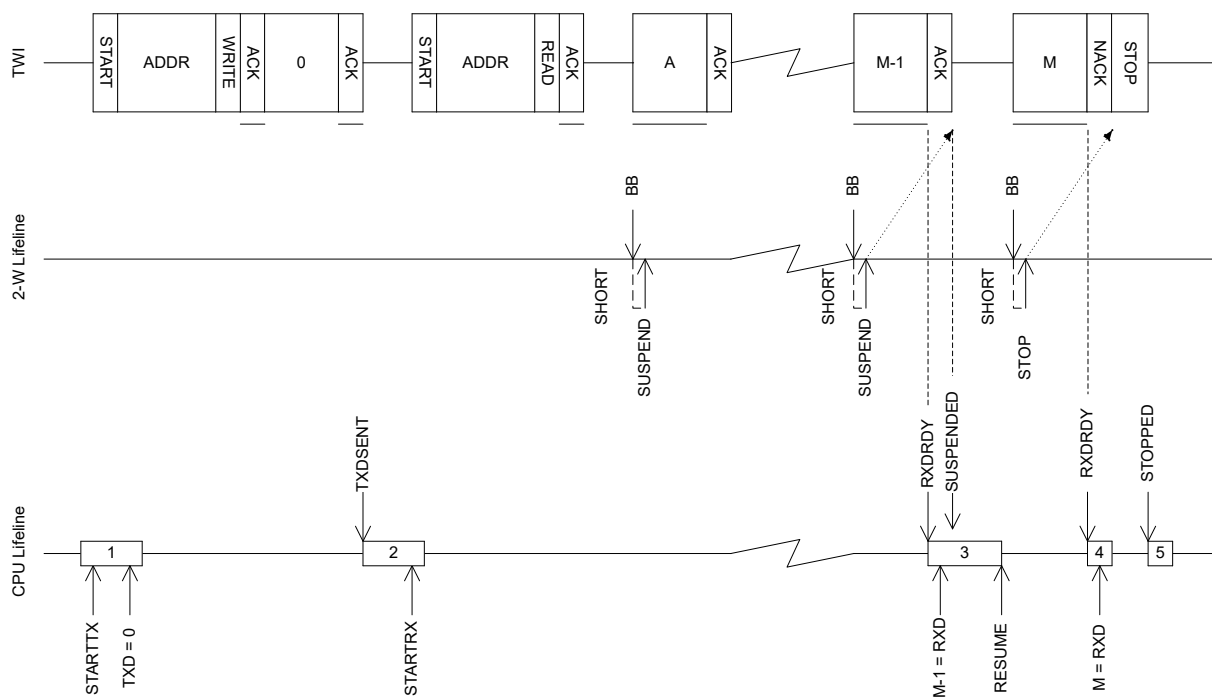


Figure 157: Repeated start sequence illustration

To generate a repeated start after a read sequence, a second start task, `STARTRX` or `STARTTX`, must be triggered instead of the `STOP` task. This start task must be triggered before the last byte is extracted from `RXD` to ensure that the TWI master sends a NACK back to the slave before generating the repeated start condition.

6.27.7 Low power

When putting the system in low power and the peripheral is not needed, lowest possible power consumption is achieved by stopping, and then disabling the peripheral.

The `STOP` task is not always needed, like when the peripheral is already stopped. If the `STOP` task is sent, the software shall wait until the `STOPPED` event was received as a response before disabling the peripheral through the `ENABLE` register.

6.27.8 Registers

Base address	Peripheral	Instance	Description	Configuration
0x40003000	TWI	TWI0	Two-wire interface master 0	Deprecated
0x40004000	TWI	TWI1	Two-wire interface master 1	Deprecated

Table 115: Instances

Register	Offset	Description
<code>TASKS_STARTRX</code>	0x000	Start TWI receive sequence
<code>TASKS_STARTTX</code>	0x008	Start TWI transmit sequence
<code>TASKS_STOP</code>	0x014	Stop TWI transaction
<code>TASKS_SUSPEND</code>	0x01C	Suspend TWI transaction
<code>TASKS_RESUME</code>	0x020	Resume TWI transaction
<code>EVENTS_STOPPED</code>	0x104	TWI stopped
<code>EVENTS_RXDREADY</code>	0x108	TWI RXD byte received
<code>EVENTS_TXDSENT</code>	0x11C	TWI TXD byte sent
<code>EVENTS_ERROR</code>	0x124	TWI error
<code>EVENTS_BB</code>	0x138	TWI byte boundary, generated before each byte that is sent or received
<code>EVENTS_SUSPENDED</code>	0x148	TWI entered the suspended state
<code>SHORTS</code>	0x200	Shortcuts between local events and tasks
<code>INTENSET</code>	0x304	Enable interrupt
<code>INTENCLR</code>	0x308	Disable interrupt
<code>ERRORSRC</code>	0x4C4	Error source
<code>ENABLE</code>	0x500	Enable TWI
<code>PSEL_SCL</code>	0x508	Pin select for SCL
<code>PSEL_SDA</code>	0x50C	Pin select for SDA
<code>RXD</code>	0x518	RXD register
<code>TXD</code>	0x51C	TXD register
<code>FREQUENCY</code>	0x524	TWI frequency. Accuracy depends on the HFCLK source selected.
<code>ADDRESS</code>	0x588	Address used in the TWI transfer

Table 116: Register overview

6.27.8.1 `TASKS_STARTRX`

Address offset: 0x000

Start TWI receive sequence

Bit number	31	30	29	28	27	26	25	24	23	22	21	20	19	18	17	16	15	14	13	12	11	10	9	8	7	6	5	4	3	2	1	0
ID																																A
Reset 0x00000000	0 0																															
ID	Acce Field	Value ID	Value	Description																												
A	W TASKS_STARTRX			Start TWI receive sequence																												
		Trigger	1	Trigger task																												

6.27.8.2 TASKS_STARTTX

Address offset: 0x008

Start TWI transmit sequence

Bit number	31	30	29	28	27	26	25	24	23	22	21	20	19	18	17	16	15	14	13	12	11	10	9	8	7	6	5	4	3	2	1	0
ID																																A
Reset 0x00000000	0 0																															
ID	Acce Field	Value ID	Value	Description																												
A	W TASKS_STARTTX			Start TWI transmit sequence																												
		Trigger	1	Trigger task																												

6.27.8.3 TASKS_STOP

Address offset: 0x014

Stop TWI transaction

Bit number	31	30	29	28	27	26	25	24	23	22	21	20	19	18	17	16	15	14	13	12	11	10	9	8	7	6	5	4	3	2	1	0
ID																																A
Reset 0x00000000	0 0																															
ID	Acce Field	Value ID	Value	Description																												
A	W TASKS_STOP			Stop TWI transaction																												
		Trigger	1	Trigger task																												

6.27.8.4 TASKS_SUSPEND

Address offset: 0x01C

Suspend TWI transaction

Bit number	31	30	29	28	27	26	25	24	23	22	21	20	19	18	17	16	15	14	13	12	11	10	9	8	7	6	5	4	3	2	1	0
ID																																A
Reset 0x00000000	0 0																															
ID	Acce Field	Value ID	Value	Description																												
A	W TASKS_SUSPEND			Suspend TWI transaction																												
		Trigger	1	Trigger task																												

6.27.8.5 TASKS_RESUME

Address offset: 0x020

Resume TWI transaction

Bit number	31	30	29	28	27	26	25	24	23	22	21	20	19	18	17	16	15	14	13	12	11	10	9	8	7	6	5	4	3	2	1	0
ID																																A
Reset 0x00000000	0 0																															
ID	Acce Field	Value ID	Value	Description																												
A	W TASKS_RESUME	Trigger	1	Resume TWI transaction Trigger task																												

6.27.8.6 EVENTS_STOPPED

Address offset: 0x104

TWI stopped

Bit number	31	30	29	28	27	26	25	24	23	22	21	20	19	18	17	16	15	14	13	12	11	10	9	8	7	6	5	4	3	2	1	0
ID																																A
Reset 0x00000000	0 0																															
ID	Acce Field	Value ID	Value	Description																												
A	RW EVENTS_STOPPED	NotGenerated	0	TWI stopped Event not generated																												
		Generated	1	Event generated																												

6.27.8.7 EVENTS_RXDREADY

Address offset: 0x108

TWI RXD byte received

Bit number	31	30	29	28	27	26	25	24	23	22	21	20	19	18	17	16	15	14	13	12	11	10	9	8	7	6	5	4	3	2	1	0
ID																																A
Reset 0x00000000	0 0																															
ID	Acce Field	Value ID	Value	Description																												
A	RW EVENTS_RXDREADY	NotGenerated	0	TWI RXD byte received Event not generated																												
		Generated	1	Event generated																												

6.27.8.8 EVENTS_TXDSENT

Address offset: 0x11C

TWI TXD byte sent

Bit number	31	30	29	28	27	26	25	24	23	22	21	20	19	18	17	16	15	14	13	12	11	10	9	8	7	6	5	4	3	2	1	0
ID																																A
Reset 0x00000000	0 0																															
ID	Acce Field	Value ID	Value	Description																												
A	RW EVENTS_TXDSENT	NotGenerated	0	TWI TXD byte sent Event not generated																												
		Generated	1	Event generated																												

6.27.8.9 EVENTS_ERROR

Address offset: 0x124

TWI error

Bit number	31	30	29	28	27	26	25	24	23	22	21	20	19	18	17	16	15	14	13	12	11	10	9	8	7	6	5	4	3	2	1	0
ID																																A
Reset 0x00000000	0 0																															
ID	Acce Field	Value ID	Value	Description																												
A	RW EVENTS_ERROR			TWI error																												
		NotGenerated	0	Event not generated																												
		Generated	1	Event generated																												

6.27.8.10 EVENTS_BB

Address offset: 0x138

TWI byte boundary, generated before each byte that is sent or received

Bit number	31	30	29	28	27	26	25	24	23	22	21	20	19	18	17	16	15	14	13	12	11	10	9	8	7	6	5	4	3	2	1	0
ID																																A
Reset 0x00000000	0 0																															
ID	Acce Field	Value ID	Value	Description																												
A	RW EVENTS_BB			TWI byte boundary, generated before each byte that is sent or received																												
		NotGenerated	0	Event not generated																												
		Generated	1	Event generated																												

6.27.8.11 EVENTS_SUSPENDED

Address offset: 0x148

TWI entered the suspended state

Generated just after ACK bit has been transferred in a read transaction, and only if SUSPEND has been requested earlier.

Bit number	31	30	29	28	27	26	25	24	23	22	21	20	19	18	17	16	15	14	13	12	11	10	9	8	7	6	5	4	3	2	1	0
ID																																A
Reset 0x00000000	0 0																															
ID	Acce Field	Value ID	Value	Description																												
A	RW EVENTS_SUSPENDED			TWI entered the suspended state																												
				Generated just after ACK bit has been transferred in a read transaction, and only if SUSPEND has been requested earlier.																												
		NotGenerated	0	Event not generated																												
		Generated	1	Event generated																												

6.27.8.12 SHORTS

Address offset: 0x200

Shortcuts between local events and tasks

Bit number	31	30	29	28	27	26	25	24	23	22	21	20	19	18	17	16	15	14	13	12	11	10	9	8	7	6	5	4	3	2	1	0
ID																															B	A
Reset	0x00000000																															
0	0	0	0	0	0	0	0	0	0	0	0	0	0	0	0	0	0	0	0	0	0	0	0	0	0	0	0	0	0	0	0	0
ID	Acce	Field	Value	ID	Value	Description																										
A	RW	BB_SUSPEND				Shortcut between event BB and task SUSPEND																										
			Disabled	0		Disable shortcut																										
			Enabled	1		Enable shortcut																										
B	RW	BB_STOP				Shortcut between event BB and task STOP																										
			Disabled	0		Disable shortcut																										
			Enabled	1		Enable shortcut																										

6.27.8.13 INTENSET

Address offset: 0x304

Enable interrupt

Bit number	31	30	29	28	27	26	25	24	23	22	21	20	19	18	17	16	15	14	13	12	11	10	9	8	7	6	5	4	3	2	1	0
ID																F	E	D	C				B	A								
Reset	0x00000000																															
0	0	0	0	0	0	0	0	0	0	0	0	0	0	0	0	0	0	0	0	0	0	0	0	0	0	0	0	0	0	0	0	
ID	Acce	Field	Value	ID	Value	Description																										
A	RW	STOPPED				Write '1' to enable interrupt for event STOPPED																										
			Set	1		Enable																										
			Disabled	0		Read: Disabled																										
			Enabled	1		Read: Enabled																										
B	RW	RXDREADY				Write '1' to enable interrupt for event RXDREADY																										
			Set	1		Enable																										
			Disabled	0		Read: Disabled																										
			Enabled	1		Read: Enabled																										
C	RW	TXDSENT				Write '1' to enable interrupt for event TXDSENT																										
			Set	1		Enable																										
			Disabled	0		Read: Disabled																										
			Enabled	1		Read: Enabled																										
D	RW	ERROR				Write '1' to enable interrupt for event ERROR																										
			Set	1		Enable																										
			Disabled	0		Read: Disabled																										
			Enabled	1		Read: Enabled																										
E	RW	BB				Write '1' to enable interrupt for event BB																										
			Set	1		Enable																										
			Disabled	0		Read: Disabled																										
			Enabled	1		Read: Enabled																										
F	RW	SUSPENDED				Write '1' to enable interrupt for event SUSPENDED																										
						Generated just after ACK bit has been transferred in a read transaction, and only if SUSPEND has been requested earlier.																										
			Set	1		Enable																										
			Disabled	0		Read: Disabled																										
			Enabled	1		Read: Enabled																										

6.27.8.14 INTENCLR

Address offset: 0x308

Disable interrupt

Bit number		31 30 29 28 27 26 25 24 23 22 21 20 19 18 17 16 15 14 13 12 11 10 9 8 7 6 5 4 3 2 1 0																																	
ID		F														E							D							C		B		A	
Reset 0x00000000		0 0																																	
ID	Acce Field	Value ID	Value	Description																															
A	RW STOPPED			Write '1' to disable interrupt for event STOPPED																															
		Clear	1	Disable																															
		Disabled	0	Read: Disabled																															
		Enabled	1	Read: Enabled																															
B	RW RXDREADY			Write '1' to disable interrupt for event RXDREADY																															
		Clear	1	Disable																															
		Disabled	0	Read: Disabled																															
		Enabled	1	Read: Enabled																															
C	RW TXDSENT			Write '1' to disable interrupt for event TXDSENT																															
		Clear	1	Disable																															
		Disabled	0	Read: Disabled																															
		Enabled	1	Read: Enabled																															
D	RW ERROR			Write '1' to disable interrupt for event ERROR																															
		Clear	1	Disable																															
		Disabled	0	Read: Disabled																															
		Enabled	1	Read: Enabled																															
E	RW BB			Write '1' to disable interrupt for event BB																															
		Clear	1	Disable																															
		Disabled	0	Read: Disabled																															
		Enabled	1	Read: Enabled																															
F	RW SUSPENDED			Write '1' to disable interrupt for event SUSPENDED																															
				Generated just after ACK bit has been transferred in a read transaction, and only if SUSPEND has been requested earlier.																															
		Clear	1	Disable																															
		Disabled	0	Read: Disabled																															
		Enabled	1	Read: Enabled																															

6.27.8.15 ERRORSRC

Address offset: 0x4C4

Error source

Bit number		31 30 29 28 27 26 25 24 23 22 21 20 19 18 17 16 15 14 13 12 11 10 9 8 7 6 5 4 3 2 1 0																															
ID																							C							B		A	
Reset 0x00000000		0 0																															
ID	Acce Field	Value ID	Value	Description																													
A	RW OVERRUN			Overrun error																													
				A new byte was received before previous byte got read by software from the RXD register. (Previous data is lost)																													
		NotPresent	0	Read: no overrun occurred																													
		Present	1	Read: overrun occurred																													
B	RW ANACK			NACK received after sending the address (write '1' to clear)																													
		NotPresent	0	Read: error not present																													
		Present	1	Read: error present																													
C	RW DNACK			NACK received after sending a data byte (write '1' to clear)																													
		NotPresent	0	Read: error not present																													
		Present	1	Read: error present																													

6.27.8.16 ENABLE

Address offset: 0x500

Enable TWI

Bit number	31	30	29	28	27	26	25	24	23	22	21	20	19	18	17	16	15	14	13	12	11	10	9	8	7	6	5	4	3	2	1	0
ID																												A	A	A	A	
Reset 0x00000000	0 0																															
ID	Acce Field	Value ID	Value	Description																												
A	RW ENABLE			Enable or disable TWI																												
		Disabled	0	Disable TWI																												
		Enabled	5	Enable TWI																												

6.27.8.17 PSEL.SCL

Address offset: 0x508

Pin select for SCL

Bit number	31	30	29	28	27	26	25	24	23	22	21	20	19	18	17	16	15	14	13	12	11	10	9	8	7	6	5	4	3	2	1	0
ID	C																											B	A	A	A	A
Reset 0xFFFFFFFF	1 1																															
ID	Acce Field	Value ID	Value	Description																												
A	RW PIN		[0..31]	Pin number																												
B	RW PORT		[0..1]	Port number																												
C	RW CONNECT			Connection																												
		Disconnected	1	Disconnect																												
		Connected	0	Connect																												

6.27.8.18 PSEL.SDA

Address offset: 0x50C

Pin select for SDA

Bit number	31	30	29	28	27	26	25	24	23	22	21	20	19	18	17	16	15	14	13	12	11	10	9	8	7	6	5	4	3	2	1	0
ID	C																											B	A	A	A	A
Reset 0xFFFFFFFF	1 1																															
ID	Acce Field	Value ID	Value	Description																												
A	RW PIN		[0..31]	Pin number																												
B	RW PORT		[0..1]	Port number																												
C	RW CONNECT			Connection																												
		Disconnected	1	Disconnect																												
		Connected	0	Connect																												

6.27.8.19 RXD

Address offset: 0x518

RXD register

Bit number	31	30	29	28	27	26	25	24	23	22	21	20	19	18	17	16	15	14	13	12	11	10	9	8	7	6	5	4	3	2	1	0																								
ID																											A	A	A	A	A	A	A	A	A	A	A	A	A	A	A	A	A	A	A	A	A	A	A	A	A	A	A	A	A	A
Reset	0x00000000																										0	0	0	0	0	0	0	0	0	0	0	0	0	0	0	0	0	0	0	0	0	0	0	0	0	0	0	0	0	0
ID	Acce Field	Value ID	Value	Description																																																				
A	R	RXD		RXD register																																																				

6.27.8.20 TXD

Address offset: 0x51C

TXD register

Bit number	31	30	29	28	27	26	25	24	23	22	21	20	19	18	17	16	15	14	13	12	11	10	9	8	7	6	5	4	3	2	1	0																								
ID																											A	A	A	A	A	A	A	A	A	A	A	A	A	A	A	A	A	A	A	A	A	A	A	A	A	A	A	A	A	A
Reset	0x00000000																										0	0	0	0	0	0	0	0	0	0	0	0	0	0	0	0	0	0	0	0	0	0	0	0	0	0	0	0	0	0
ID	Acce Field	Value ID	Value	Description																																																				
A	RW	TXD		TXD register																																																				

6.27.8.21 FREQUENCY

Address offset: 0x524

TWI frequency. Accuracy depends on the HFCLK source selected.

Bit number	31	30	29	28	27	26	25	24	23	22	21	20	19	18	17	16	15	14	13	12	11	10	9	8	7	6	5	4	3	2	1	0																								
ID	A	A	A	A	A	A	A	A	A	A	A	A	A	A	A	A	A	A	A	A	A	A	A	A	A	A	A	A	A	A	A	A	A																							
Reset	0x04000000																										0	0	0	0	0	1	0	0	0	0	0	0	0	0	0	0	0	0	0	0	0	0	0	0	0	0	0	0	0	0
ID	Acce Field	Value ID	Value	Description																																																				
A	RW	FREQUENCY		TWI master clock frequency																																																				
		K100	0x01980000	100 kbps																																																				
		K250	0x04000000	250 kbps																																																				
		K400	0x06680000	400 kbps (actual rate 410.256 kbps)																																																				

6.27.8.22 ADDRESS

Address offset: 0x588

Address used in the TWI transfer

Bit number	31	30	29	28	27	26	25	24	23	22	21	20	19	18	17	16	15	14	13	12	11	10	9	8	7	6	5	4	3	2	1	0																									
ID																											A	A	A	A	A	A	A	A	A	A	A	A	A	A	A	A	A	A	A	A	A	A	A	A	A	A	A	A	A	A	
Reset	0x00000000																										0	0	0	0	0	0	0	0	0	0	0	0	0	0	0	0	0	0	0	0	0	0	0	0	0	0	0	0	0	0	0
ID	Acce Field	Value ID	Value	Description																																																					
A	RW	ADDRESS		Address used in the TWI transfer																																																					

6.27.9 Electrical specification

6.27.9.1 TWI interface electrical specifications

Symbol	Description	Min.	Typ.	Max.	Units
$f_{TWI,SCL}$	Bit rates for TWI ³⁵	100		400	kbps
$t_{TWI,START}$	Time from STARTRX/STARTTX task to transmission started		1.5		μ s

6.27.9.2 Two Wire Interface (TWI) timing specifications

Symbol	Description	Min.	Typ.	Max.	Units
t_{TWI,SU_DAT}	Data setup time before positive edge on SCL – all modes	300			ns
t_{TWI,HD_DAT}	Data hold time after negative edge on SCL – all modes	500			ns
$t_{TWI,HD_STA,100kbps}$	TWI master hold time for START and repeated START condition, 100 kbps	10000			ns
$t_{TWI,HD_STA,250kbps}$	TWI master hold time for START and repeated START condition, 250kbps	4000			ns
$t_{TWI,HD_STA,400kbps}$	TWI master hold time for START and repeated START condition, 400 kbps	2500			ns
$t_{TWI,SU_STO,100kbps}$	TWI master setup time from SCL high to STOP condition, 100 kbps	5000			ns
$t_{TWI,SU_STO,250kbps}$	TWI master setup time from SCL high to STOP condition, 250 kbps	2000			ns
$t_{TWI,SU_STO,400kbps}$	TWI master setup time from SCL high to STOP condition, 400 kbps	1250			ns
$t_{TWI,BUF,100kbps}$	TWI master bus free time between STOP and START conditions, 100 kbps	5800			ns
$t_{TWI,BUF,250kbps}$	TWI master bus free time between STOP and START conditions, 250 kbps	2700			ns
$t_{TWI,BUF,400kbps}$	TWI master bus free time between STOP and START conditions, 400 kbps	2100			ns

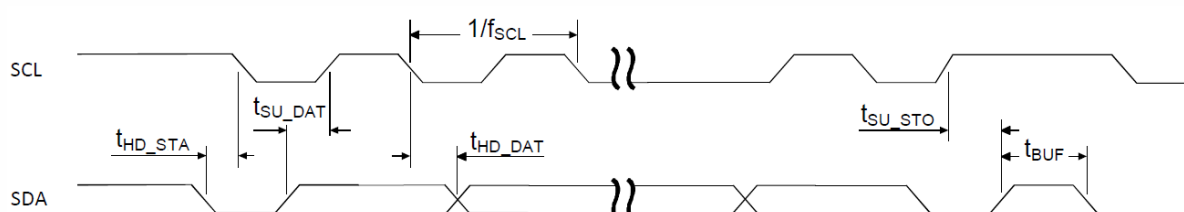


Figure 158: TWI timing diagram, 1 byte transaction

6.28 TIMER — Timer/counter

This peripheral is a general purpose timer designed to keep track of time in user-selective time intervals, it can operate in two modes: timer and counter.

³⁵ High bit rates or stronger pull-ups may require GPIOs to be set as High Drive, see GPIO chapter for more details.

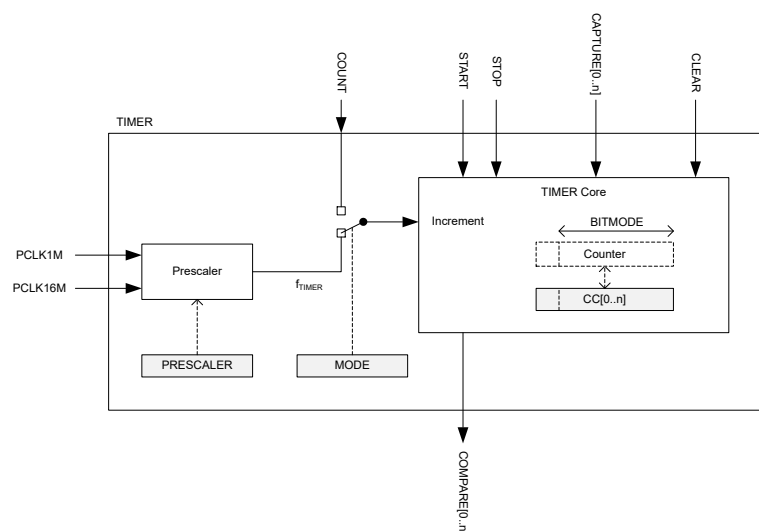


Figure 159: Block schematic for timer/counter

The timer/counter runs on the high-frequency clock source (HFCLK) and includes a four-bit (1/2X) prescaler that can divide the timer input clock from the HFCLK controller. Clock source selection between PCLK16M and PCLK1M is automatic according to TIMER base frequency set by the prescaler. The TIMER base frequency is always given as 16 MHz divided by the prescaler value.

The PPI system allows a TIMER event to trigger a task of any other system peripheral of the device. The PPI system also enables the TIMER task/event features to generate periodic output and PWM signals to any GPIO. The number of input/outputs used at the same time is limited by the number of GPIOTE channels.

TIMER can operate in two modes: Timer mode and Counter mode. In both modes, TIMER is started by triggering the START task, and stopped by triggering the STOP task. After the timer is stopped the timer can resume timing/counting by triggering the START task again. When timing/counting is resumed, the timer will continue from the value it had prior to being stopped.

In Timer mode, the TIMER's internal Counter register is incremented by one for every tick of the timer frequency f_{TIMER} as illustrated in [Block schematic for timer/counter](#) on page 445. The timer frequency is derived from PCLK16M as shown in the following example, using the values specified in the PRESCALER register.

$$f_{\text{TIMER}} = 16 \text{ MHz} / (2^{\text{PRESCALER}})$$

When $f_{\text{TIMER}} \leq 1 \text{ MHz}$, TIMER will use PCLK1M instead of PCLK16M for reduced power consumption.

In counter mode, the TIMER's internal Counter register is incremented by one each time the COUNT task is triggered, meaning the timer frequency and the prescaler are not utilized in counter mode. Similarly, the COUNT task has no effect in Timer mode.

The TIMER's maximum value is configured by changing the bit-width of the timer in register [BITMODE](#) on page 450.

[PRESCALER](#) on page 450 and [BITMODE](#) on page 450 must only be updated when the timer is stopped. If these registers are updated while the timer is started, unpredictable behavior may occur.

When the timer is incremented beyond its maximum value, the Counter register will overflow and the timer will automatically start over from zero.

The Counter register can be cleared by triggering the CLEAR task. This will explicitly set the internal value to zero.

TIMER implements multiple capture/compare registers.

Independent of prescaler setting, the accuracy of TIMER is equivalent to one tick of the timer frequency f_{TIMER} as illustrated in [Block schematic for timer/counter](#) on page 445.

6.28.1 Capture

TIMER implements one capture task for every available capture/compare register.

Every time the CAPTURE[n] task is triggered, the Counter value is copied to the CC[n] register.

6.28.2 Compare

TIMER implements one COMPARE event for every available capture/compare register.

A COMPARE event is generated when the Counter is incremented and then becomes equal to the value specified in one of the capture compare registers. When the Counter value becomes equal to the value specified in a capture compare register CC[n], the corresponding compare event COMPARE[n] is generated.

BITMODE on page 450 specifies how many bits of the Counter register and the capture/compare register that are used when the comparison is performed. Other bits will be ignored.

6.28.3 Task delays

After TIMER is started, the CLEAR, COUNT, and STOP tasks are guaranteed to take effect within one clock cycle of the PCLK16M.

6.28.4 Task priority

If the START task and the STOP task are triggered at the same time, meaning within the same period of PCLK16M, the STOP task will be prioritized.

6.28.5 Registers

Base address	Peripheral	Instance	Description	Configuration
0x40008000	TIMER	TIMER0	Timer 0	This timer instance has 4 CC registers (CC[0..3])
0x40009000	TIMER	TIMER1	Timer 1	This timer instance has 4 CC registers (CC[0..3])
0x4000A000	TIMER	TIMER2	Timer 2	This timer instance has 4 CC registers (CC[0..3])
0x4001A000	TIMER	TIMER3	Timer 3	This timer instance has 6 CC registers (CC[0..5])
0x4001B000	TIMER	TIMER4	Timer 4	This timer instance has 6 CC registers (CC[0..5])

Table 117: Instances

Register	Offset	Description
TASKS_START	0x000	Start Timer
TASKS_STOP	0x004	Stop Timer
TASKS_COUNT	0x008	Increment Timer (Counter mode only)
TASKS_CLEAR	0x00C	Clear time

Register	Offset	Description	
TASKS_SHUTDOWN	0x010	Shut down timer	Deprecated
TASKS_CAPTURE[0]	0x040	Capture Timer value to CC[0] register	
TASKS_CAPTURE[1]	0x044	Capture Timer value to CC[1] register	
TASKS_CAPTURE[2]	0x048	Capture Timer value to CC[2] register	
TASKS_CAPTURE[3]	0x04C	Capture Timer value to CC[3] register	
TASKS_CAPTURE[4]	0x050	Capture Timer value to CC[4] register	
TASKS_CAPTURE[5]	0x054	Capture Timer value to CC[5] register	
EVENTS_COMPARE[0]	0x140	Compare event on CC[0] match	
EVENTS_COMPARE[1]	0x144	Compare event on CC[1] match	
EVENTS_COMPARE[2]	0x148	Compare event on CC[2] match	
EVENTS_COMPARE[3]	0x14C	Compare event on CC[3] match	
EVENTS_COMPARE[4]	0x150	Compare event on CC[4] match	
EVENTS_COMPARE[5]	0x154	Compare event on CC[5] match	
SHORTS	0x200	Shortcuts between local events and tasks	
INTENSET	0x304	Enable interrupt	
INTENCLR	0x308	Disable interrupt	
MODE	0x504	Timer mode selection	
BITMODE	0x508	Configure the number of bits used by the TIMER	
PRESCALER	0x510	Timer prescaler register	
CC[0]	0x540	Capture/Compare register 0	
CC[1]	0x544	Capture/Compare register 1	
CC[2]	0x548	Capture/Compare register 2	
CC[3]	0x54C	Capture/Compare register 3	
CC[4]	0x550	Capture/Compare register 4	
CC[5]	0x554	Capture/Compare register 5	

Table 118: Register overview

6.28.5.1 TASKS_START

Address offset: 0x000

Start Timer

Bit number	31 30 29 28 27 26 25 24 23 22 21 20 19 18 17 16 15 14 13 12 11 10 9 8 7 6 5 4 3 2 1 0																														
ID	A																														
Reset 0x00000000	0 0																														
ID	Acce	Field	Value ID	Value	Description																										
A	W	TASKS_START	Trigger	1	Start Timer Trigger task																										

6.28.5.2 TASKS_STOP

Address offset: 0x004

Stop Timer

Bit number	31 30 29 28 27 26 25 24 23 22 21 20 19 18 17 16 15 14 13 12 11 10 9 8 7 6 5 4 3 2 1 0																														
ID	A																														
Reset 0x00000000	0 0																														
ID	Acce	Field	Value ID	Value	Description																										
A	W	TASKS_STOP	Trigger	1	Stop Timer Trigger task																										

6.28.5.3 TASKS_COUNT

Address offset: 0x008

Increment Timer (Counter mode only)

Bit number	31 30 29 28 27 26 25 24 23 22 21 20 19 18 17 16 15 14 13 12 11 10 9 8 7 6 5 4 3 2 1 0																														
ID	A																														
Reset 0x00000000	0 0																														
ID	Acce Field	Value ID	Value	Description																											
A	W TASKS_COUNT			Increment Timer (Counter mode only)																											
		Trigger	1	Trigger task																											

6.28.5.4 TASKS_CLEAR

Address offset: 0x00C

Clear time

Bit number	31 30 29 28 27 26 25 24 23 22 21 20 19 18 17 16 15 14 13 12 11 10 9 8 7 6 5 4 3 2 1 0																														
ID	A																														
Reset 0x00000000	0 0																														
ID	Acce Field	Value ID	Value	Description																											
A	W TASKS_CLEAR			Clear time																											
		Trigger	1	Trigger task																											

6.28.5.5 TASKS_SHUTDOWN (Deprecated)

Address offset: 0x010

Shut down timer

Bit number	31 30 29 28 27 26 25 24 23 22 21 20 19 18 17 16 15 14 13 12 11 10 9 8 7 6 5 4 3 2 1 0																														
ID	A																														
Reset 0x00000000	0 0																														
ID	Acce Field	Value ID	Value	Description																											
A	W TASKS_SHUTDOWN			Shut down timer Deprecated																											
		Trigger	1	Trigger task																											

6.28.5.6 TASKS_CAPTURE[n] (n=0..5)

Address offset: 0x040 + (n × 0x4)

Capture Timer value to CC[n] register

Bit number	31 30 29 28 27 26 25 24 23 22 21 20 19 18 17 16 15 14 13 12 11 10 9 8 7 6 5 4 3 2 1 0																														
ID	A																														
Reset 0x00000000	0 0																														
ID	Acce Field	Value ID	Value	Description																											
A	W TASKS_CAPTURE			Capture Timer value to CC[n] register																											
		Trigger	1	Trigger task																											

6.28.5.7 EVENTS_COMPARE[n] (n=0..5)

Address offset: 0x140 + (n × 0x4)

Compare event on CC[n] match

Bit number	31 30 29 28 27 26 25 24 23 22 21 20 19 18 17 16 15 14 13 12 11 10 9 8 7 6 5 4 3 2 1 0																														
ID																															A
Reset 0x00000000	0 0																														
ID	Acce Field	Value ID	Value	Description																											
A	RW	EVENTS_COMPARE		Compare event on CC[n] match																											
		NotGenerated	0	Event not generated																											
		Generated	1	Event generated																											

6.28.5.8 SHORTS

Address offset: 0x200

Shortcuts between local events and tasks

Bit number	31 30 29 28 27 26 25 24 23 22 21 20 19 18 17 16 15 14 13 12 11 10 9 8 7 6 5 4 3 2 1 0																																							
ID																									L	K	J	I	H	G					F	E	D	C	B	A
Reset 0x00000000	0 0																																							
ID	Acce Field	Value ID	Value	Description																																				
A-F	RW	COMPARE[i]_CLEAR (i=0..5)		Shortcut between event COMPARE[i] and task CLEAR																																				
		Disabled	0	Disable shortcut																																				
		Enabled	1	Enable shortcut																																				
G-L	RW	COMPARE[i]_STOP (i=0..5)		Shortcut between event COMPARE[i] and task STOP																																				
		Disabled	0	Disable shortcut																																				
		Enabled	1	Enable shortcut																																				

6.28.5.9 INTENSET

Address offset: 0x304

Enable interrupt

Bit number	31 30 29 28 27 26 25 24 23 22 21 20 19 18 17 16 15 14 13 12 11 10 9 8 7 6 5 4 3 2 1 0																														
ID																									F	E	D	C	B	A	
Reset 0x00000000	0 0																														
ID	Acce Field	Value ID	Value	Description																											
A-F	RW	COMPARE[i] (i=0..5)		Write '1' to enable interrupt for event COMPARE[i]																											
		Set	1	Enable																											
		Disabled	0	Read: Disabled																											
		Enabled	1	Read: Enabled																											

6.28.5.10 INTENCLR

Address offset: 0x308

Disable interrupt

Bit number	31 30 29 28 27 26 25 24 23 22 21 20 19 18 17 16 15 14 13 12 11 10 9 8 7 6 5 4 3 2 1 0																														
ID	F E D C B A																														
Reset	0x00000000																														
0	0 0																														
ID	Acce Field	Value ID	Value	Description																											
A-F	RW	COMPARE[i] (i=0..5)		Write '1' to disable interrupt for event COMPARE[i]																											
		Clear	1	Disable																											
		Disabled	0	Read: Disabled																											
		Enabled	1	Read: Enabled																											

6.28.5.11 MODE

Address offset: 0x504

Timer mode selection

Bit number	31 30 29 28 27 26 25 24 23 22 21 20 19 18 17 16 15 14 13 12 11 10 9 8 7 6 5 4 3 2 1 0																														
ID	A A																														
Reset	0x00000000																														
0	0 0																														
ID	Acce Field	Value ID	Value	Description																											
A	RW	MODE		Timer mode																											
		Timer	0	Select Timer mode																											
		Counter	1	Select Counter mode																											
		LowPowerCounter	2	Select Low Power Counter mode																											

Deprecated

6.28.5.12 BITMODE

Address offset: 0x508

Configure the number of bits used by the TIMER

Bit number	31 30 29 28 27 26 25 24 23 22 21 20 19 18 17 16 15 14 13 12 11 10 9 8 7 6 5 4 3 2 1 0																														
ID	A A																														
Reset	0x00000000																														
0	0 0																														
ID	Acce Field	Value ID	Value	Description																											
A	RW	BITMODE		Timer bit width																											
		16Bit	0	16 bit timer bit width																											
		08Bit	1	8 bit timer bit width																											
		24Bit	2	24 bit timer bit width																											
		32Bit	3	32 bit timer bit width																											

6.28.5.13 PRESCALER

Address offset: 0x510

Timer prescaler register

Bit number	31 30 29 28 27 26 25 24 23 22 21 20 19 18 17 16 15 14 13 12 11 10 9 8 7 6 5 4 3 2 1 0																														
ID	A A A A																														
Reset	0x00000004																														
0	0 1 0 0																														
ID	Acce Field	Value ID	Value	Description																											
A	RW	PRESCALER	[0..9]	Prescaler value																											

6.28.5.14 CC[n] (n=0..5)

Address offset: 0x540 + (n × 0x4)

Capture/Compare register n

Bit number	31	30	29	28	27	26	25	24	23	22	21	20	19	18	17	16	15	14	13	12	11	10	9	8	7	6	5	4	3	2	1	0
ID	A	A	A	A	A	A	A	A	A	A	A	A	A	A	A	A	A	A	A	A	A	A	A	A	A	A	A	A	A	A	A	A
Reset 0x00000000	0	0	0	0	0	0	0	0	0	0	0	0	0	0	0	0	0	0	0	0	0	0	0	0	0	0	0	0	0	0	0	

ID	Acce Field	Value ID	Value	Description
A	RW	CC		Capture/Compare value Only the number of bits indicated by BITMODE will be used by the TIMER.

6.28.6 Electrical specification

6.29 TWIM — I²C compatible two-wire interface master with EasyDMA

TWI master with EasyDMA (TWIM) is a two-wire half-duplex master which can communicate with multiple slave devices connected to the same bus.

Listed here are the main features for TWIM:

- I²C compatible
- Supported baud rates: 100, 250, 400 kbps
- Support for clock stretching (non I²C compliant)
- EasyDMA

The two-wire interface can communicate with a bi-directional wired-AND bus with two lines (SCL, SDA). The protocol makes it possible to interconnect up to 127 individually addressable devices. TWIM is not compatible with CBUS.

The GPIOs used for each two-wire interface line can be chosen from any GPIO on the device and are independently configurable. This enables great flexibility in device pinout and efficient use of board space and signal routing.

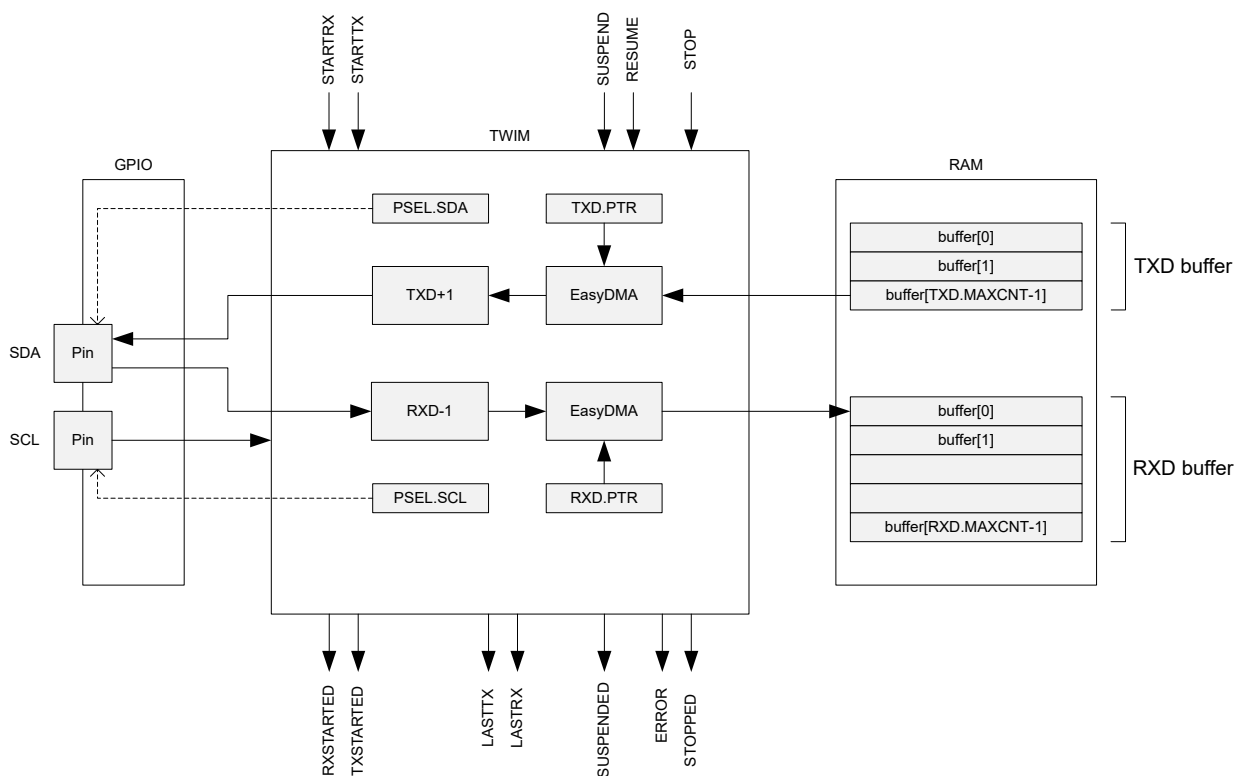


Figure 160: TWI master with EasyDMA

A typical TWI setup consists of one master and one or more slaves. For an example, see the following figure. This TWIM is only able to operate as a single master on the TWI bus. Multi-master bus configuration is not supported.

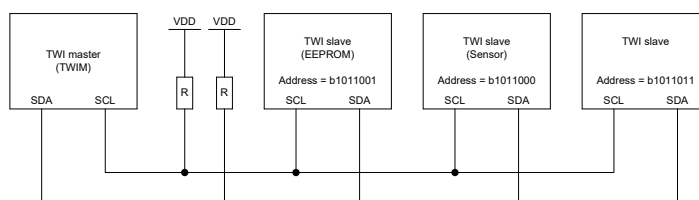


Figure 161: A typical TWI setup comprising one master and three slaves

This TWI master supports clock stretching performed by the slaves. The SCK pulse following a stretched clock cycle may be shorter than specified by the I2C specification.

The TWI master is started by triggering the STARTTX or STARTRX tasks, and stopped by triggering the STOP task. The TWI master will generate a STOPPED event when it has stopped following a STOP task.

After the TWI master is started, the STARTTX or STARTRX tasks should not be triggered again until the TWI master has issued a LASTRX, LASTTX, or STOPPED event.

The TWI master can be suspended using the SUSPEND task, this can be used when using the TWI master in a low priority interrupt context. When the TWIM enters suspend state, will automatically issue a SUSPENDED event while performing a continuous clock stretching until it is instructed to resume operation via a RESUME task. The TWI master cannot be stopped while it is suspended, thus the STOP task has to be issued after the TWI master has been resumed.

Note: Any ongoing byte transfer will be allowed to complete before the suspend is enforced. A SUSPEND task has no effect unless the TWI master is actively involved in a transfer.

If a NACK is clocked in from the slave, the TWI master will generate an ERROR event.

6.29.1 EasyDMA

The TWIM implements EasyDMA for accessing RAM without CPU involvement.

The TWIM peripheral implements the EasyDMA channels found in the following table.

Channel	Type	Register Cluster
TXD	READER	TXD
RXD	WRITER	RXD

Table 119: TWIM EasyDMA Channels

For detailed information regarding the use of EasyDMA, see [EasyDMA](#) on page 44.

The .PTR and .MAXCNT registers are double-buffered. They can be updated and prepared for the next RX/TX transmission immediately after having received the RXSTARTED/TXSTARTED event.

The STOPPED event indicates that EasyDMA has finished accessing the buffer in RAM.

6.29.2 Master write sequence

A TWI master write sequence is started by triggering the STARTTX task. After the STARTTX task has been triggered, the TWI master will generate a start condition on the TWI bus, followed by clocking out the address and the READ/WRITE bit set to 0 (WRITE=0, READ=1).

The address must match the address of the slave device that the master wants to write to. The READ/WRITE bit is followed by an ACK/NACK bit (ACK=0 or NACK=1) generated by the slave.

After receiving the ACK bit, the TWI master will clock out the data bytes found in the transmit buffer located in RAM at the address specified in the TXD.PTR register. Each byte clocked out from the master will be followed by an ACK/NACK bit clocked in from the slave.

A typical TWI master write sequence is shown in the following figure. Occurrence 2 in the figure illustrates clock stretching performed by the TWI master following a SUSPEND task.

A SUSPENDED event indicates that the SUSPEND task has taken effect. This event can be used to synchronize the software.

The TWI master will generate a LASTTX event when it starts to transmit the last byte, this is shown in the following figure.

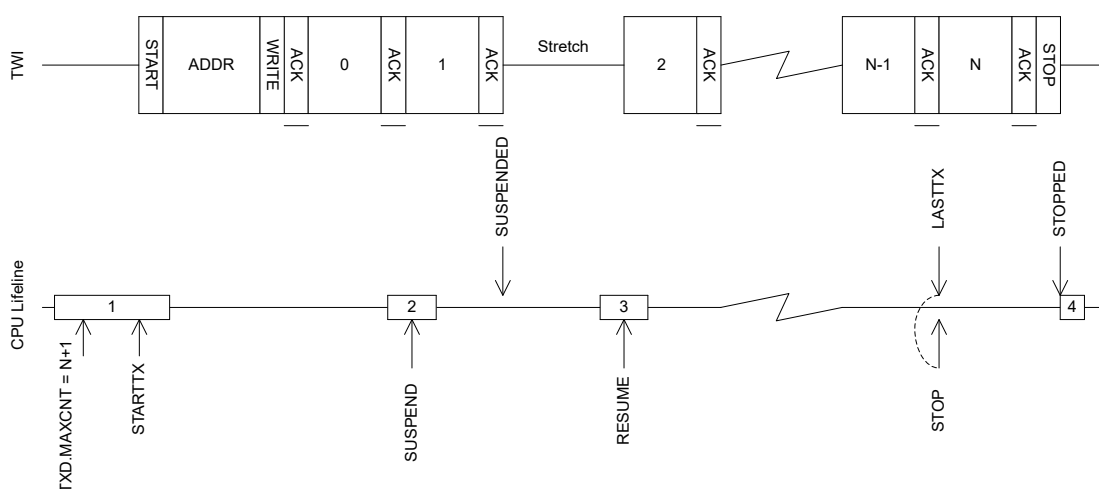


Figure 162: TWI master writing data to a slave

The TWI master is stopped by triggering the STOP task. This task should be triggered during the transmission of the last byte to secure that the TWI master will stop as fast as possible after sending the last byte. The shortcut between LASTTX and STOP can alternatively be used to accomplish this.

Note: The TWI master does not stop by itself when the entire RAM buffer has been sent, or when an error occurs. The STOP task must be issued, through the use of a local or PPI shortcut, or in software as part of the error handler.

6.29.3 Master read sequence

A TWI master read sequence is started by triggering the STARTRX task. After the STARTRX task has been triggered, the TWI master will generate a start condition on the TWI bus, followed by clocking out the address and the READ/WRITE bit set to 1 (WRITE = 0, READ = 1). The address must match the address of the slave device that the master wants to read from. The READ/WRITE bit is followed by an ACK/NACK bit (ACK=0 or NACK = 1) generated by the slave.

After sending the ACK bit, the TWI slave will send data to the master using the clock generated by the master.

Data received will be stored in RAM at the address specified in the RXD.PTR register. The TWI master will generate an ACK after all but the last byte have been received from the slave. The TWI master will generate a NACK after the last byte received to indicate that the read sequence shall stop.

A typical TWI master read sequence is illustrated in [The TWI master reading data from a slave](#) on page 455. Occurrence 2 in the figure illustrates clock stretching performed by the TWI master following a SUSPEND task.

A SUSPENDED event indicates that the SUSPEND task has taken effect. This event can be used to synchronize the software.

The TWI master will generate a LASTRX event when it is ready to receive the last byte, as shown in [The TWI master reading data from a slave](#) on page 455. If RXD.MAXCNT > 1, the LASTRX event is generated after sending the ACK of the previously received byte. If RXD.MAXCNT = 1, the LASTRX event is generated after receiving the ACK following the address and READ bit.

The TWI master is stopped by triggering the STOP task. This task must be triggered before the NACK bit is supposed to be transmitted. The STOP task can be triggered at any time during the reception of the last byte. It is recommended to use the shortcut between LASTRX and STOP to accomplish this.

The TWI master does not stop by itself when the RAM buffer is full, or when an error occurs. The STOP task must be issued, through the use of a local or PPI shortcut, or in software as part of the error handler.

The TWI master cannot be stopped while suspended, so the STOP task must be issued after the TWI master has been resumed.

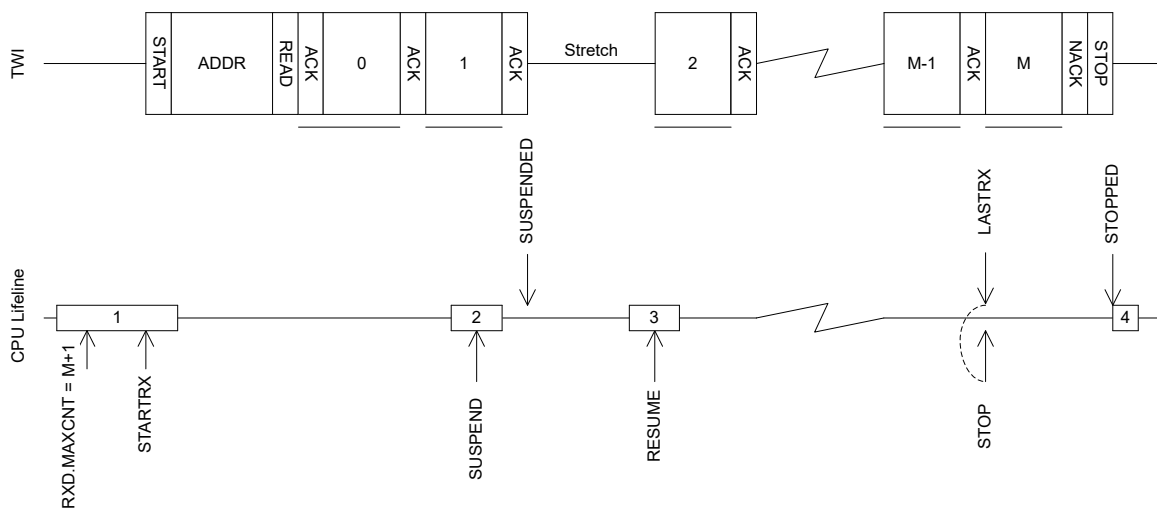


Figure 163: The TWI master reading data from a slave

6.29.4 Master repeated start sequence

A typical repeated start sequence is one in which the TWI master writes two bytes to the slave followed by reading four bytes from the slave. This example uses shortcuts to perform the simplest type of repeated start sequence, i.e. one write followed by one read. The same approach can be used to perform a repeated start sequence where the sequence is read followed by write.

The following figure shows an example of a repeated start sequence where the TWI master writes two bytes followed by reading four bytes from the slave.

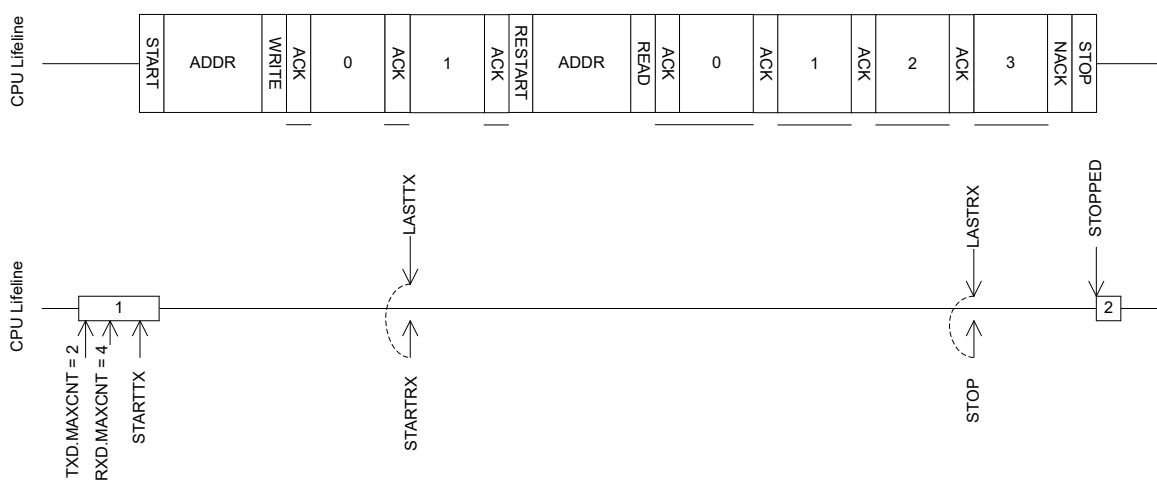


Figure 164: Master repeated start sequence

If a more complex repeated start sequence is needed, and the TWI firmware driver is serviced in a low priority interrupt, it may be necessary to use the SUSPEND task and SUSPENDED event to guarantee that the correct tasks are generated at the correct time. A double repeated start sequence using the SUSPEND task to secure safe operation in low priority interrupts is shown in the following figure.

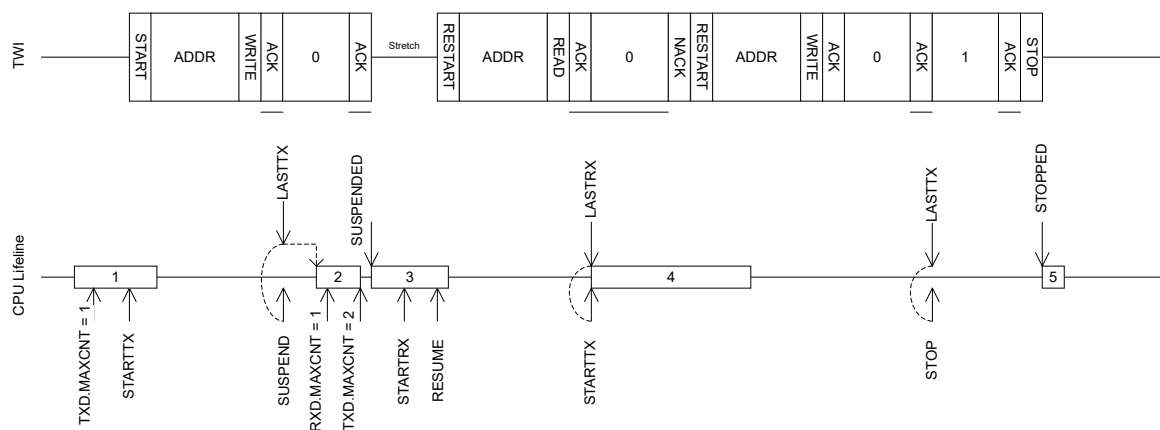


Figure 165: Double repeated start sequence

6.29.5 Low power

When putting the system in low power and the peripheral is not needed, lowest possible power consumption is achieved by stopping, and then disabling the peripheral.

When the STOP task is sent, the software shall wait until the STOPPED event is received as a response before disabling the peripheral through the ENABLE register. If the peripheral is already stopped, the STOP task is not required.

6.29.6 Master mode pin configuration

The SCL and SDA signals associated with the TWI master are mapped to physical pins according to the configuration specified in the PSEL.SCL and PSEL.SDA registers respectively.

The PSEL.SCL and PSEL.SDA registers and their configurations are only used as long as the TWI master is enabled, and retained only as long as the device is in ON mode. When the peripheral is disabled, the pins will behave as regular GPIOs, and use the configuration in their respective OUT bit field and PIN_CNF[n] register. PSEL.SCL, PSEL.SDA must only be configured when the TWI master is disabled.

To secure correct signal levels on the pins used by the TWI master when the system is in OFF mode, and when the TWI master is disabled, these pins must be configured in the GPIO peripheral as described in the following table.

Only one peripheral can be assigned to drive a particular GPIO pin at a time. Failing to do so may result in unpredictable behavior.

TWI master signal	TWI master pin	Direction	Output value	Drive strength
SCL	As specified in PSEL.SCL	Input	Not applicable	S0D1
SDA	As specified in PSEL.SDA	Input	Not applicable	S0D1

Table 120: GPIO configuration before enabling peripheral

6.29.7 Registers

Base address	Peripheral	Instance	Description	Configuration
0x40003000	TWIM	TWIM0	Two-wire interface master 0	
0x40004000	TWIM	TWIM1	Two-wire interface master 1	

Table 121: Instances

Register	Offset	Description
TASKS_STARTRX	0x000	Start TWI receive sequence
TASKS_STARTTX	0x008	Start TWI transmit sequence
TASKS_STOP	0x014	Stop TWI transaction. Must be issued while the TWI master is not suspended.
TASKS_SUSPEND	0x01C	Suspend TWI transaction
TASKS_RESUME	0x020	Resume TWI transaction
EVENTS_STOPPED	0x104	TWI stopped
EVENTS_ERROR	0x124	TWI error
EVENTS_SUSPENDED	0x148	SUSPEND task has been issued, TWI traffic is now suspended.
EVENTS_RXSTARTED	0x14C	Receive sequence started
EVENTS_TXSTARTED	0x150	Transmit sequence started
EVENTS_LASTRX	0x15C	Byte boundary, starting to receive the last byte
EVENTS_LASTTX	0x160	Byte boundary, starting to transmit the last byte
SHORTS	0x200	Shortcuts between local events and tasks
INTEN	0x300	Enable or disable interrupt
INTENSET	0x304	Enable interrupt
INTENCLR	0x308	Disable interrupt
ERRORSRC	0x4C4	Error source
ENABLE	0x500	Enable TWIM
PSEL.SCL	0x508	Pin select for SCL signal
PSEL.SDA	0x50C	Pin select for SDA signal
FREQUENCY	0x524	TWI frequency. Accuracy depends on the HFCLK source selected.
RXD.PTR	0x534	Data pointer
RXD.MAXCNT	0x538	Maximum number of bytes in receive buffer
RXD.AMOUNT	0x53C	Number of bytes transferred in the last transaction
RXD.LIST	0x540	EasyDMA list type
TXD.PTR	0x544	Data pointer
TXD.MAXCNT	0x548	Maximum number of bytes in transmit buffer
TXD.AMOUNT	0x54C	Number of bytes transferred in the last transaction
TXD.LIST	0x550	EasyDMA list type
ADDRESS	0x588	Address used in the TWI transfer

Table 122: Register overview

6.29.7.1 TASKS_STARTRX

Address offset: 0x000

Start TWI receive sequence

Bit number	31	30	29	28	27	26	25	24	23	22	21	20	19	18	17	16	15	14	13	12	11	10	9	8	7	6	5	4	3	2	1	0
ID																																A
Reset	0 0																															
ID	Acce	Field	Value	ID	Value	Description																										
A	W	TASKS_STARTRX				Start TWI receive sequence																										
			Trigger	1		Trigger task																										

6.29.7.2 TASKS_STARTTX

Address offset: 0x008

Start TWI transmit sequence

Bit number	31	30	29	28	27	26	25	24	23	22	21	20	19	18	17	16	15	14	13	12	11	10	9	8	7	6	5	4	3	2	1	0
ID																																A
Reset 0x00000000	0 0																															
ID	Acce Field	Value ID	Value	Description																												
A	W TASKS_STARTTX	Trigger	1	Start TWI transmit sequence Trigger task																												

6.29.7.3 TASKS_STOP

Address offset: 0x014

Stop TWI transaction. Must be issued while the TWI master is not suspended.

Bit number	31	30	29	28	27	26	25	24	23	22	21	20	19	18	17	16	15	14	13	12	11	10	9	8	7	6	5	4	3	2	1	0
ID																																A
Reset 0x00000000	0 0																															
ID	Acce Field	Value ID	Value	Description																												
A	W TASKS_STOP	Trigger	1	Stop TWI transaction. Must be issued while the TWI master is not suspended. Trigger task																												

6.29.7.4 TASKS_SUSPEND

Address offset: 0x01C

Suspend TWI transaction

Bit number	31	30	29	28	27	26	25	24	23	22	21	20	19	18	17	16	15	14	13	12	11	10	9	8	7	6	5	4	3	2	1	0
ID																																A
Reset 0x00000000	0 0																															
ID	Acce Field	Value ID	Value	Description																												
A	W TASKS_SUSPEND	Trigger	1	Suspend TWI transaction Trigger task																												

6.29.7.5 TASKS_RESUME

Address offset: 0x020

Resume TWI transaction

Bit number	31	30	29	28	27	26	25	24	23	22	21	20	19	18	17	16	15	14	13	12	11	10	9	8	7	6	5	4	3	2	1	0
ID																																A
Reset 0x00000000	0 0																															
ID	Acce Field	Value ID	Value	Description																												
A	W TASKS_RESUME	Trigger	1	Resume TWI transaction Trigger task																												

6.29.7.6 EVENTS_STOPPED

Address offset: 0x104

TWI stopped

Bit number	31	30	29	28	27	26	25	24	23	22	21	20	19	18	17	16	15	14	13	12	11	10	9	8	7	6	5	4	3	2	1	0
ID																																A
Reset	0x00000000																															
	0 0																															
ID	Acce Field	Value ID	Value	Description																												
A	RW EVENTS_STOPPED			TWI stopped																												
		NotGenerated	0	Event not generated																												
		Generated	1	Event generated																												

6.29.7.7 EVENTS_ERROR

Address offset: 0x124

TWI error

Bit number	31	30	29	28	27	26	25	24	23	22	21	20	19	18	17	16	15	14	13	12	11	10	9	8	7	6	5	4	3	2	1	0
ID																																A
Reset	0x00000000																															
	0 0																															
ID	Acce Field	Value ID	Value	Description																												
A	RW EVENTS_ERROR			TWI error																												
		NotGenerated	0	Event not generated																												
		Generated	1	Event generated																												

6.29.7.8 EVENTS_SUSPENDED

Address offset: 0x148

SUSPEND task has been issued, TWI traffic is now suspended.

Bit number	31	30	29	28	27	26	25	24	23	22	21	20	19	18	17	16	15	14	13	12	11	10	9	8	7	6	5	4	3	2	1	0
ID																																A
Reset	0x00000000																															
	0 0																															
ID	Acce Field	Value ID	Value	Description																												
A	RW EVENTS_SUSPENDED			SUSPEND task has been issued, TWI traffic is now suspended.																												
		NotGenerated	0	Event not generated																												
		Generated	1	Event generated																												

6.29.7.9 EVENTS_RXSTARTED

Address offset: 0x14C

Receive sequence started

Bit number	31	30	29	28	27	26	25	24	23	22	21	20	19	18	17	16	15	14	13	12	11	10	9	8	7	6	5	4	3	2	1	0
ID																																A
Reset	0x00000000																															
	0 0																															
ID	Acce Field	Value ID	Value	Description																												
A	RW EVENTS_RXSTARTED			Receive sequence started																												
		NotGenerated	0	Event not generated																												
		Generated	1	Event generated																												

6.29.7.10 EVENTS_TXSTARTED

Address offset: 0x150

Transmit sequence started

Bit number	31	30	29	28	27	26	25	24	23	22	21	20	19	18	17	16	15	14	13	12	11	10	9	8	7	6	5	4	3	2	1	0
ID																																A
Reset 0x00000000	0 0																															
ID	Acce Field	Value ID	Value	Description																												
A	RW EVENTS_TXSTARTED			Transmit sequence started																												
		NotGenerated	0	Event not generated																												
		Generated	1	Event generated																												

6.29.7.11 EVENTS_LASTRX

Address offset: 0x15C

Byte boundary, starting to receive the last byte

Bit number	31	30	29	28	27	26	25	24	23	22	21	20	19	18	17	16	15	14	13	12	11	10	9	8	7	6	5	4	3	2	1	0
ID																																A
Reset 0x00000000	0 0																															
ID	Acce Field	Value ID	Value	Description																												
A	RW EVENTS_LASTRX			Byte boundary, starting to receive the last byte																												
		NotGenerated	0	Event not generated																												
		Generated	1	Event generated																												

6.29.7.12 EVENTS_LASTTX

Address offset: 0x160

Byte boundary, starting to transmit the last byte

Bit number	31	30	29	28	27	26	25	24	23	22	21	20	19	18	17	16	15	14	13	12	11	10	9	8	7	6	5	4	3	2	1	0
ID																																A
Reset 0x00000000	0 0																															
ID	Acce Field	Value ID	Value	Description																												
A	RW EVENTS_LASTTX			Byte boundary, starting to transmit the last byte																												
		NotGenerated	0	Event not generated																												
		Generated	1	Event generated																												

6.29.7.13 SHORTS

Address offset: 0x200

Shortcuts between local events and tasks

Bit number	31	30	29	28	27	26	25	24	23	22	21	20	19	18	17	16	15	14	13	12	11	10	9	8	7	6	5	4	3	2	1	0				
ID																					F	E	D	C	B	A										
Reset 0x00000000	0 0																																			
ID	Acce Field	Value ID	Value	Description																																
A	RW LASTTX_STARTRX			Shortcut between event LASTTX and task STARTRX																																
		Disabled	0	Disable shortcut																																
		Enabled	1	Enable shortcut																																
B	RW LASTTX_SUSPEND			Shortcut between event LASTTX and task SUSPEND																																
		Disabled	0	Disable shortcut																																
		Enabled	1	Enable shortcut																																
C	RW LASTTX_STOP			Shortcut between event LASTTX and task STOP																																
		Disabled	0	Disable shortcut																																
		Enabled	1	Enable shortcut																																

Bit number	31 30 29 28 27 26 25 24 23 22 21 20 19 18 17 16 15 14 13 12 11 10 9 8 7 6 5 4 3 2 1 0																																			
ID																															F	E	D	C	B	A
Reset 0x00000000										0 0																										
ID	Acce	Field	Value	ID	Value	Description																														
D	RW	LASTRX_STARTTX				Shortcut between event LASTRX and task STARTTX																														
			Disabled	0		Disable shortcut																														
			Enabled	1		Enable shortcut																														
E	RW	LASTRX_SUSPEND				Shortcut between event LASTRX and task SUSPEND																														
			Disabled	0		Disable shortcut																														
			Enabled	1		Enable shortcut																														
F	RW	LASTRX_STOP				Shortcut between event LASTRX and task STOP																														
			Disabled	0		Disable shortcut																														
			Enabled	1		Enable shortcut																														

6.29.7.14 INTEN

Address offset: 0x300

Enable or disable interrupt

Bit number	31 30 29 28 27 26 25 24 23 22 21 20 19 18 17 16 15 14 13 12 11 10 9 8 7 6 5 4 3 2 1 0																																						
ID																													J	I	H G F			D			A		
Reset 0x00000000										0 0																													
ID	Acce	Field	Value	ID	Value	Description																																	
A	RW	STOPPED				Enable or disable interrupt for event STOPPED																																	
			Disabled	0		Disable																																	
			Enabled	1		Enable																																	
D	RW	ERROR				Enable or disable interrupt for event ERROR																																	
			Disabled	0		Disable																																	
			Enabled	1		Enable																																	
F	RW	SUSPENDED				Enable or disable interrupt for event SUSPENDED																																	
			Disabled	0		Disable																																	
			Enabled	1		Enable																																	
G	RW	RXSTARTED				Enable or disable interrupt for event RXSTARTED																																	
			Disabled	0		Disable																																	
			Enabled	1		Enable																																	
H	RW	TXSTARTED				Enable or disable interrupt for event TXSTARTED																																	
			Disabled	0		Disable																																	
			Enabled	1		Enable																																	
I	RW	LASTRX				Enable or disable interrupt for event LASTRX																																	
			Disabled	0		Disable																																	
			Enabled	1		Enable																																	
J	RW	LASTTX				Enable or disable interrupt for event LASTTX																																	
			Disabled	0		Disable																																	
			Enabled	1		Enable																																	

6.29.7.15 INTENSET

Address offset: 0x304

Enable interrupt

Bit number		31 30 29 28 27 26 25 24 23 22 21 20 19 18 17 16 15 14 13 12 11 10 9 8 7 6 5 4 3 2 1 0																											
ID		J I H G F												D												A			
Reset 0x00000000		0 0																											
ID	Acce Field	Value ID	Value	Description																									
A	RW STOPPED			Write '1' to enable interrupt for event STOPPED																									
		Set	1	Enable																									
		Disabled	0	Read: Disabled																									
D	RW ERROR	Enabled	1	Read: Enabled																									
		Set	1	Enable																									
		Disabled	0	Read: Disabled																									
F	RW SUSPENDED	Enabled	1	Read: Enabled																									
		Set	1	Enable																									
		Disabled	0	Read: Disabled																									
G	RW RXSTARTED	Enabled	1	Read: Enabled																									
		Set	1	Enable																									
		Disabled	0	Read: Disabled																									
H	RW TXSTARTED	Enabled	1	Read: Enabled																									
		Set	1	Enable																									
		Disabled	0	Read: Disabled																									
I	RW LASTRX	Enabled	1	Read: Enabled																									
		Set	1	Enable																									
		Disabled	0	Read: Disabled																									
J	RW LASTTX	Enabled	1	Read: Enabled																									
		Set	1	Enable																									
		Disabled	0	Read: Disabled																									

6.29.7.16 INTENCLR

Address offset: 0x308

Disable interrupt

Bit number		31 30 29 28 27 26 25 24 23 22 21 20 19 18 17 16 15 14 13 12 11 10 9 8 7 6 5 4 3 2 1 0																											
ID		J I H G F												D												A			
Reset 0x00000000		0 0																											
ID	Acce Field	Value ID	Value	Description																									
A	RW STOPPED			Write '1' to disable interrupt for event STOPPED																									
		Clear	1	Disable																									
		Disabled	0	Read: Disabled																									
D	RW ERROR	Enabled	1	Read: Enabled																									
		Clear	1	Disable																									
		Disabled	0	Read: Disabled																									
F	RW SUSPENDED	Enabled	1	Read: Enabled																									
		Clear	1	Disable																									
		Disabled	0	Read: Disabled																									

Bit number		31 30 29 28 27 26 25 24 23 22 21 20 19 18 17 16 15 14 13 12 11 10 9 8 7 6 5 4 3 2 1 0																																
ID		J I H G F																D																A
Reset 0x00000000		0 0																																
ID	Acce Field	Value ID	Value	Description																														
		Enabled	1	Read: Enabled																														
G	RW RXSTARTED			Write '1' to disable interrupt for event RXSTARTED																														
		Clear	1	Disable																														
		Disabled	0	Read: Disabled																														
		Enabled	1	Read: Enabled																														
H	RW TXSTARTED			Write '1' to disable interrupt for event TXSTARTED																														
		Clear	1	Disable																														
		Disabled	0	Read: Disabled																														
		Enabled	1	Read: Enabled																														
I	RW LASTRX			Write '1' to disable interrupt for event LASTRX																														
		Clear	1	Disable																														
		Disabled	0	Read: Disabled																														
		Enabled	1	Read: Enabled																														
J	RW LASTTX			Write '1' to disable interrupt for event LASTTX																														
		Clear	1	Disable																														
		Disabled	0	Read: Disabled																														
		Enabled	1	Read: Enabled																														

6.29.7.17 ERRORSRC

Address offset: 0x4C4

Error source

Bit number		31 30 29 28 27 26 25 24 23 22 21 20 19 18 17 16 15 14 13 12 11 10 9 8 7 6 5 4 3 2 1 0																																
ID																																		C B A
Reset 0x00000000		0 0																																
ID	Acce Field	Value ID	Value	Description																														
A	RW OVERRUN			Overrun error																														
				A new byte was received before previous byte got transferred into RXD buffer. (Previous data is lost)																														
		NotReceived	0	Error did not occur																														
		Received	1	Error occurred																														
B	RW ANACK			NACK received after sending the address (write '1' to clear)																														
		NotReceived	0	Error did not occur																														
		Received	1	Error occurred																														
				NACK received after sending a data byte (write '1' to clear)																														
C	RW DNACK			NACK received after sending a data byte (write '1' to clear)																														
		NotReceived	0	Error did not occur																														
		Received	1	Error occurred																														

6.29.7.18 ENABLE

Address offset: 0x500

Enable TWIM

Bit number	31	30	29	28	27	26	25	24	23	22	21	20	19	18	17	16	15	14	13	12	11	10	9	8	7	6	5	4	3	2	1	0
ID																												A	A	A	A	
Reset 0x00000000	0 0																															
ID	Acce Field	Value ID	Value	Description																												
A	RW ENABLE			Enable or disable TWIM																												
		Disabled	0	Disable TWIM																												
		Enabled	6	Enable TWIM																												

6.29.7.19 PSEL.SCL

Address offset: 0x508

Pin select for SCL signal

Bit number	31	30	29	28	27	26	25	24	23	22	21	20	19	18	17	16	15	14	13	12	11	10	9	8	7	6	5	4	3	2	1	0
ID	C																											B	A	A	A	A
Reset 0xFFFFFFFF	1 1																															
ID	Acce Field	Value ID	Value	Description																												
A	RW PIN		[0..31]	Pin number																												
B	RW PORT		[0..1]	Port number																												
C	RW CONNECT			Connection																												
		Disconnected	1	Disconnect																												
		Connected	0	Connect																												

6.29.7.20 PSEL.SDA

Address offset: 0x50C

Pin select for SDA signal

Bit number	31	30	29	28	27	26	25	24	23	22	21	20	19	18	17	16	15	14	13	12	11	10	9	8	7	6	5	4	3	2	1	0
ID	C																											B	A	A	A	A
Reset 0xFFFFFFFF	1 1																															
ID	Acce Field	Value ID	Value	Description																												
A	RW PIN		[0..31]	Pin number																												
B	RW PORT		[0..1]	Port number																												
C	RW CONNECT			Connection																												
		Disconnected	1	Disconnect																												
		Connected	0	Connect																												

6.29.7.21 FREQUENCY

Address offset: 0x524

TWI frequency. Accuracy depends on the HFCLK source selected.

Bit number	31	30	29	28	27	26	25	24	23	22	21	20	19	18	17	16	15	14	13	12	11	10	9	8	7	6	5	4	3	2	1	0
ID	A	A	A	A	A	A	A	A	A	A	A	A	A	A	A	A	A	A	A	A	A	A	A	A	A	A	A	A	A	A	A	A
Reset 0x04000000	0 0 0 0 0 1 0																															
ID	Acce Field	Value ID	Value	Description																												
A	RW FREQUENCY			TWI master clock frequency																												
		K100	0x01980000	100 kbps																												
		K250	0x04000000	250 kbps																												
		K400	0x06400000	400 kbps																												

6.29.7.22 RXD.PTR

Address offset: 0x534

Data pointer

Bit number	31	30	29	28	27	26	25	24	23	22	21	20	19	18	17	16	15	14	13	12	11	10	9	8	7	6	5	4	3	2	1	0
ID	A	A	A	A	A	A	A	A	A	A	A	A	A	A	A	A	A	A	A	A	A	A	A	A	A	A	A	A	A	A	A	A
Reset 0x00000000	0	0	0	0	0	0	0	0	0	0	0	0	0	0	0	0	0	0	0	0	0	0	0	0	0	0	0	0	0	0	0	
ID	Acce Field	Value ID	Value	Description																												
A	RW PTR			Data pointer																												

See the memory chapter for details about which memories are available for EasyDMA.

6.29.7.23 RXD.MAXCNT

Address offset: 0x538

Maximum number of bytes in receive buffer

Bit number	31	30	29	28	27	26	25	24	23	22	21	20	19	18	17	16	15	14	13	12	11	10	9	8	7	6	5	4	3	2	1	0
ID																					A	A	A	A	A	A	A	A	A	A	A	
Reset 0x00000000	0	0	0	0	0	0	0	0	0	0	0	0	0	0	0	0	0	0	0	0	0	0	0	0	0	0	0	0	0	0	0	
ID	Acce Field	Value ID	Value	Description																												
A	RW MAXCNT		[0..0xFFFF]	Maximum number of bytes in receive buffer																												

6.29.7.24 RXD.AMOUNT

Address offset: 0x53C

Number of bytes transferred in the last transaction

Bit number	31	30	29	28	27	26	25	24	23	22	21	20	19	18	17	16	15	14	13	12	11	10	9	8	7	6	5	4	3	2	1	0
ID																					A	A	A	A	A	A	A	A	A	A	A	
Reset 0x00000000	0	0	0	0	0	0	0	0	0	0	0	0	0	0	0	0	0	0	0	0	0	0	0	0	0	0	0	0	0	0	0	
ID	Acce Field	Value ID	Value	Description																												
A	R AMOUNT		[0..0xFFFF]	Number of bytes transferred in the last transaction. In case of NACK error, includes the NACK'ed byte.																												

6.29.7.25 RXD.LIST

Address offset: 0x540

EasyDMA list type

Bit number	31	30	29	28	27	26	25	24	23	22	21	20	19	18	17	16	15	14	13	12	11	10	9	8	7	6	5	4	3	2	1	0	
ID																															A	A	A
Reset 0x00000000	0	0	0	0	0	0	0	0	0	0	0	0	0	0	0	0	0	0	0	0	0	0	0	0	0	0	0	0	0	0	0		
ID	Acce Field	Value ID	Value	Description																													
A	RW LIST			List type																													
		Disabled	0	Disable EasyDMA list																													
		ArrayList	1	Use array list																													

6.29.7.26 TXD.PTR

Address offset: 0x544

Data pointer

Bit number	31	30	29	28	27	26	25	24	23	22	21	20	19	18	17	16	15	14	13	12	11	10	9	8	7	6	5	4	3	2	1	0
ID	A	A	A	A	A	A	A	A	A	A	A	A	A	A	A	A	A	A	A	A	A	A	A	A	A	A	A	A	A	A	A	A
Reset 0x00000000	0	0	0	0	0	0	0	0	0	0	0	0	0	0	0	0	0	0	0	0	0	0	0	0	0	0	0	0	0	0	0	
ID	Acce Field	Value ID	Value	Description																												
A	RW PTR			Data pointer																												

See the memory chapter for details about which memories are available for EasyDMA.

6.29.7.27 TXD.MAXCNT

Address offset: 0x548

Maximum number of bytes in transmit buffer

Bit number	31	30	29	28	27	26	25	24	23	22	21	20	19	18	17	16	15	14	13	12	11	10	9	8	7	6	5	4	3	2	1	0
ID																					A	A	A	A	A	A	A	A	A	A	A	
Reset 0x00000000	0	0	0	0	0	0	0	0	0	0	0	0	0	0	0	0	0	0	0	0	0	0	0	0	0	0	0	0	0	0		
ID	Acce Field	Value ID	Value	Description																												
A	RW MAXCNT		[0..0xFFFF]	Maximum number of bytes in transmit buffer																												

6.29.7.28 TXD.AMOUNT

Address offset: 0x54C

Number of bytes transferred in the last transaction

Bit number	31	30	29	28	27	26	25	24	23	22	21	20	19	18	17	16	15	14	13	12	11	10	9	8	7	6	5	4	3	2	1	0
ID																					A	A	A	A	A	A	A	A	A	A	A	
Reset 0x00000000	0	0	0	0	0	0	0	0	0	0	0	0	0	0	0	0	0	0	0	0	0	0	0	0	0	0	0	0	0	0		
ID	Acce Field	Value ID	Value	Description																												
A	R AMOUNT		[0..0xFFFF]	Number of bytes transferred in the last transaction. In case of NACK error, includes the NACK'ed byte.																												

6.29.7.29 TXD.LIST

Address offset: 0x550

EasyDMA list type

Bit number	31	30	29	28	27	26	25	24	23	22	21	20	19	18	17	16	15	14	13	12	11	10	9	8	7	6	5	4	3	2	1	0
ID																															A	A
Reset 0x00000000	0	0	0	0	0	0	0	0	0	0	0	0	0	0	0	0	0	0	0	0	0	0	0	0	0	0	0	0	0	0		
ID	Acce Field	Value ID	Value	Description																												
A	RW LIST			List type																												
		Disabled	0	Disable EasyDMA list																												
		ArrayList	1	Use array list																												

6.29.7.30 ADDRESS

Address offset: 0x588

Address used in the TWI transfer

Bit number	31	30	29	28	27	26	25	24	23	22	21	20	19	18	17	16	15	14	13	12	11	10	9	8	7	6	5	4	3	2	1	0
ID	A A A A A A A A																															
Reset 0x00000000	0 0																															
ID	Acce Field	Value ID	Value	Description																												
A	RW	ADDRESS		Address used in the TWI transfer																												

6.29.8 Electrical specification

6.29.8.1 TWIM interface electrical specifications

Symbol	Description	Min.	Typ.	Max.	Units
$f_{TWIM,SCL}$	Bit rates for TWIM ³⁶	100		400	kbps
$t_{TWIM,START}$	Time from STARTRX/STARTTX task to transmission started		1.5		μ s

6.29.8.2 Two Wire Interface Master (TWIM) timing specifications

Symbol	Description	Min.	Typ.	Max.	Units
t_{TWIM,SU_DAT}	Data setup time before positive edge on SCL – all modes	300			ns
t_{TWIM,HD_DAT}	Data hold time after negative edge on SCL – 100, 250 and 400 kbps	500			ns
$t_{TWIM,HD_STA,100kbps}$	TWIM master hold time for START and repeated START condition, 100 kbps	9937.5			ns
$t_{TWIM,HD_STA,250kbps}$	TWIM master hold time for START and repeated START condition, 250 kbps	3937.5			ns
$t_{TWIM,HD_STA,400kbps}$	TWIM master hold time for START and repeated START condition, 400 kbps	2437.5			ns
$t_{TWIM,SU_STO,100kbps}$	TWIM master setup time from SCL high to STOP condition, 100 kbps	5000			ns
$t_{TWIM,SU_STO,250kbps}$	TWIM master setup time from SCL high to STOP condition, 250 kbps	2000			ns
$t_{TWIM,SU_STO,400kbps}$	TWIM master setup time from SCL high to STOP condition, 400 kbps	1250			ns
$t_{TWIM,BUF,100kbps}$	TWIM master bus free time between STOP and START conditions, 100 kbps	5800			ns
$t_{TWIM,BUF,250kbps}$	TWIM master bus free time between STOP and START conditions, 250 kbps	2700			ns
$t_{TWIM,BUF,400kbps}$	TWIM master bus free time between STOP and START conditions, 400 kbps	2100			ns

³⁶ High bit rates or stronger pull-ups may require GPIOs to be set as High Drive, see [GPIO — General purpose input/output](#) on page 141 for more details.

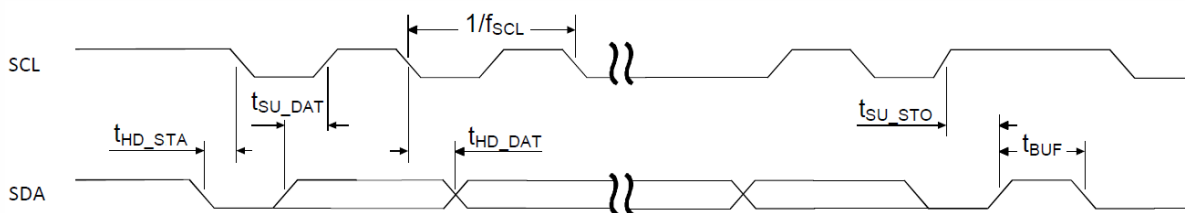


Figure 166: TWIM timing diagram, 1 byte transaction

6.29.9 Pullup resistor

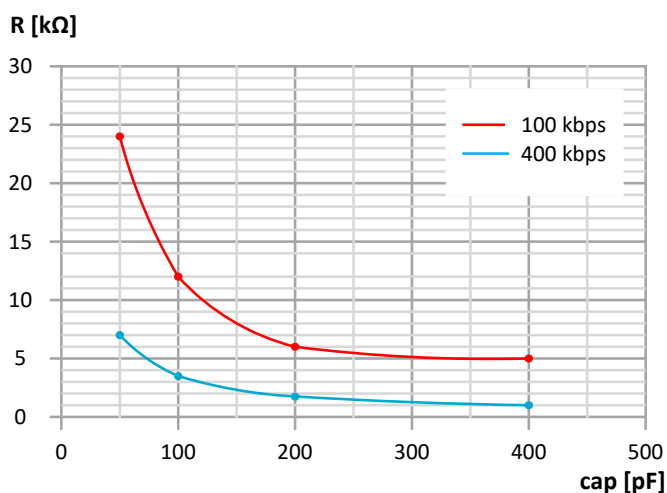


Figure 167: Recommended TWIM pullup value vs. line capacitance

- The I2C specification allows a line capacitance of 400 pF at most.
- The value of internal pullup resistor (R_{PU}) for nRF52833 can be found in [GPIO — General purpose input/output](#) on page 141.

6.30 TWIS — I²C compatible two-wire interface slave with EasyDMA

TWI slave with EasyDMA (TWIS) is compatible with I²C operating at 100 kHz and 400 kHz. The TWI transmitter and receiver implement EasyDMA.

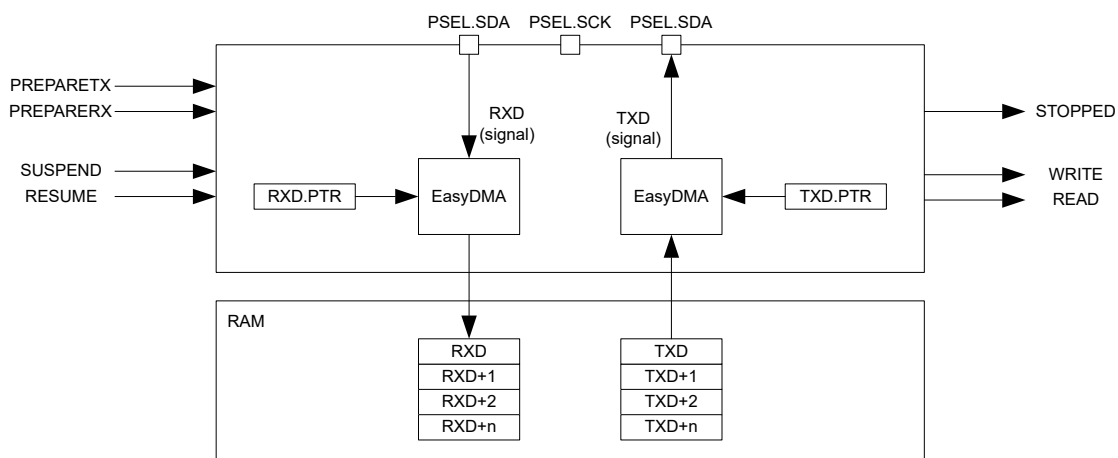


Figure 168: TWI slave with EasyDMA

A typical TWI setup consists of one master and one or more slaves. For an example, see the following figure. TWI is only able to operate with a single master on the TWI bus.

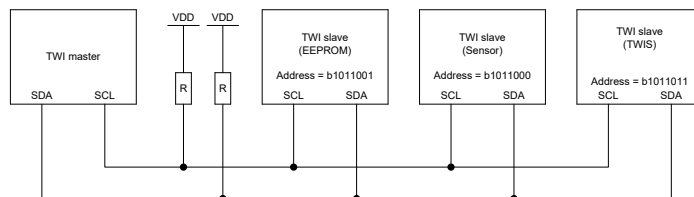


Figure 169: A typical TWI setup comprising one master and three slaves

The following figure shows the TWI slave state machine.

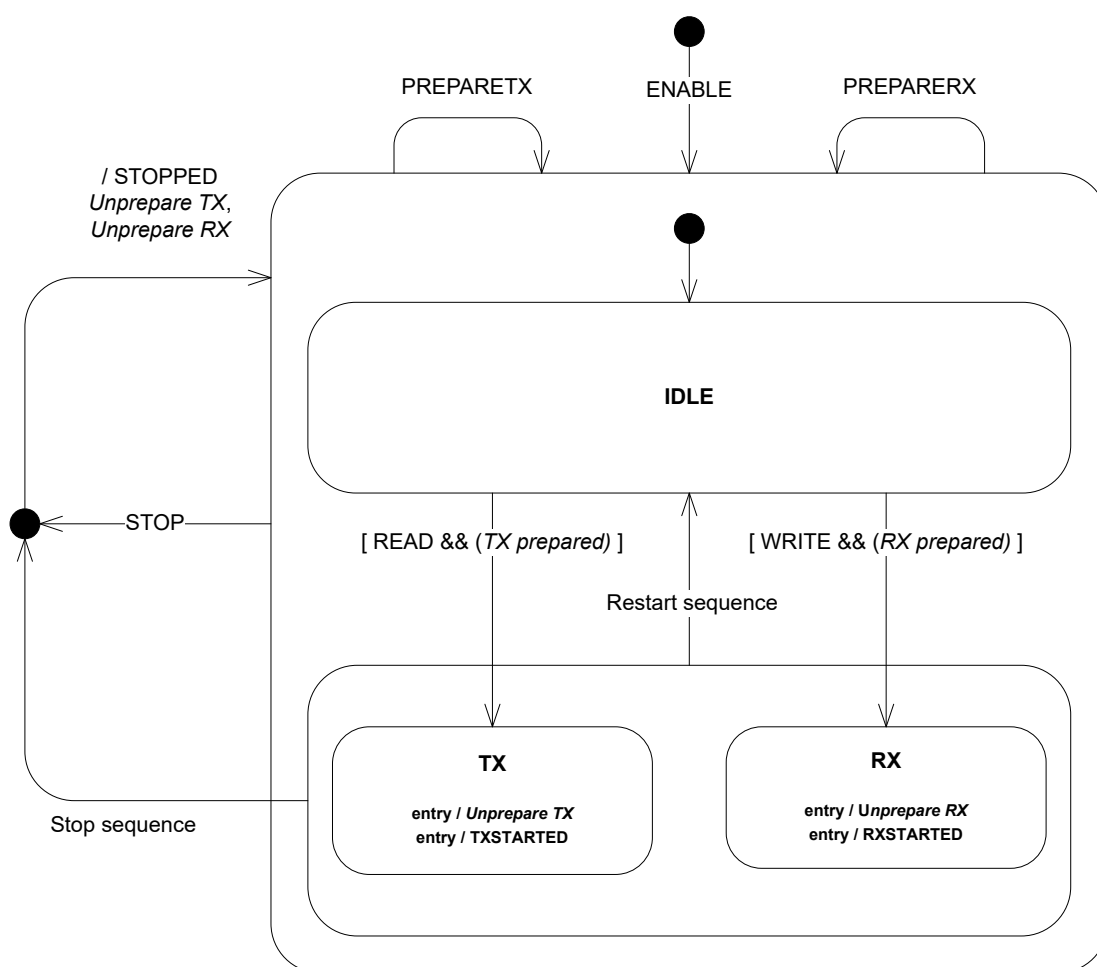


Figure 170: TWI slave state machine

The following table contains descriptions of the symbols used in the state machine.

Symbol	Type	Description
ENABLE	Register	The TWI slave has been enabled via the <code>ENABLE</code> register.
PREPARETX	Task	The <code>TASKS_PREPARETX</code> task has been triggered.
STOP	Task	The <code>TASKS_STOP</code> task has been triggered.
PREPARERX	Task	The <code>TASKS_PREPARERX</code> task has been triggered.
STOPPED	Event	The <code>EVENTS_STOPPED</code> event was generated.
RXSTARTED	Event	The <code>EVENTS_RXSTARTED</code> event was generated.
TXSTARTED	Event	The <code>EVENTS_TXSTARTED</code> event was generated.
TX prepared	Internal	Internal flag indicating that a <code>TASKS_PREPARETX</code> task has been triggered. This flag is not visible to the user.
RX prepared	Internal	Internal flag indicating that a <code>TASKS_PREPARERX</code> task has been triggered. This flag is not visible to the user.
Unprepare TX	Internal	Clears the internal 'TX prepared' flag until next <code>TASKS_PREPARETX</code> task.
Unprepare RX	Internal	Clears the internal 'RX prepared' flag until next <code>TASKS_PREPARERX</code> task.
Stop condition	TWI protocol	A TWI stop condition was detected.
Restart condition	TWI protocol	A TWI restart condition was detected.

Table 123: TWI slave state machine symbols

The TWI slave can perform clock stretching, with the premise that the master is able to support it.

The TWI slave operates in a low power mode while waiting for a TWI master to initiate a transfer. As long as the TWI slave is not addressed, it will remain in this low power mode.

To secure correct behavior of the TWI slave, `PSEL.SCL`, `PSEL.SDA`, `CONFIG`, and the `ADDRESS[n]` registers must be configured prior to enabling the TWI slave through the `ENABLE` register. Similarly, changing these settings must be performed while the TWI slave is disabled. Failing to do so may result in unpredictable behavior.

6.30.1 EasyDMA

The TWIS implements EasyDMA for accessing RAM without CPU involvement.

The following table shows the Easy DMA channels that the TWIS peripheral implements.

Channel	Type	Register Cluster
TXD	READER	TXD
RXD	WRITER	RXD

Table 124: TWIS EasyDMA Channels

For detailed information regarding the use of EasyDMA, see [EasyDMA](#) on page 44.

The STOPPED event indicates that EasyDMA has finished accessing the buffer in RAM.

6.30.2 TWI slave responding to a read command

Before the TWI slave can respond to a read command, the TWI slave must be configured correctly and enabled via the `ENABLE` register. When enabled, the TWI slave will be in its IDLE state.

A read command is started when the TWI master generates a start condition on the TWI bus, followed by clocking out the address and the `READ/WRITE` bit set to 1 (`WRITE=0`, `READ=1`). The `READ/WRITE` bit is followed by an `ACK/NACK` bit (`ACK=0` or `NACK=1`) response from the TWI slave.

The TWI slave is able to listen for up to two addresses at the same time. This is configured in the `ADDRESS` registers and the `CONFIG` register.

The TWI slave will only acknowledge (ACK) the read command if the address presented by the master matches one of the addresses the slave is configured to listen for. The TWI slave will generate a READ event when it acknowledges the read command.

The TWI slave is only able to detect a read command from the IDLE state.

The TWI slave will set an internal 'TX prepared' flag when the PREPARETX task is triggered.

When the read command is received, the TWI slave will enter the TX state if the internal 'TX prepared' flag is set.

If the internal 'TX prepared' flag is not set when the read command is received, the TWI slave will stretch the master's clock until the PREPARETX task is triggered and the internal 'TX prepared' flag is set.

The TWI slave will generate the TXSTARTED event and clear the 'TX prepared' flag ('unprepare TX') when it enters the TX state. In this state the TWI slave will send the data bytes found in the transmit buffer to the master using the master's clock.

The TWI slave will go back to the IDLE state if the TWI slave receives a restart command when it is in the TX state.

The TWI slave is stopped when it receives the stop condition from the TWI master. A STOPPED event will be generated when the transaction has stopped. The TWI slave will clear the 'TX prepared' flag ('unprepare TX') and go back to the IDLE state when it has stopped.

The transmit buffer is located in RAM at the address specified in the TXD.PTR register. The TWI slave will only be able to send TXD.MAXCNT bytes from the transmit buffer for each transaction. If the TWI master forces the slave to send more than TXD.MAXCNT bytes, the slave will send the byte specified in the ORC register to the master instead. If this happens, an ERROR event will be generated.

The EasyDMA configuration registers, see TXD.PTR etc., are latched when the TXSTARTED event is generated.

The TWI slave can be forced to stop by triggering the STOP task. A STOPPED event will be generated when the TWI slave has stopped. The TWI slave will clear the 'TX prepared' flag and go back to the IDLE state when it has stopped, see also [Terminating an ongoing TWI transaction](#) on page 473.

Each byte sent from the slave will be followed by an ACK/NACK bit sent from the master. The TWI master will generate a NACK following the last byte that it wants to receive to tell the slave to release the bus so that the TWI master can generate the stop condition. The TXD.AMOUNT register can be queried after a transaction to see how many bytes were sent.

A typical TWI slave read command response is shown in the following figure. Occurrence 2 in the figure illustrates clock stretching performed by the TWI slave following a SUSPEND task.

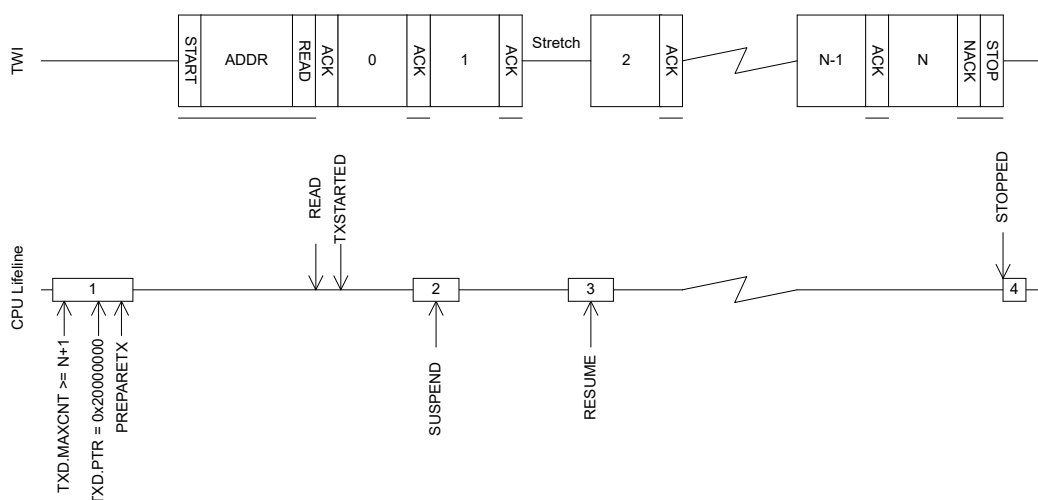


Figure 171: The TWI slave responding to a read command

6.30.3 TWI slave responding to a write command

Before the TWI slave can respond to a write command, the TWI slave must be configured correctly and enabled via the ENABLE register. When enabled, the TWI slave will be in its IDLE state.

A write command is started when the TWI master generates a start condition on the TWI bus, followed by clocking out the address and the READ/WRITE bit set to 0 (WRITE=0, READ=1). The READ/WRITE bit is followed by an ACK/NACK bit (ACK=0 or NACK=1) response from the slave.

The TWI slave is able to listen for up to two addresses at the same time. This is configured in the ADDRESS registers and the CONFIG register.

The TWI slave will only acknowledge (ACK) the write command if the address presented by the master matches one of the addresses the slave is configured to listen for. The TWI slave will generate a WRITE event if it acknowledges the write command.

The TWI slave is only able to detect a write command from the IDLE state.

The TWI slave will set an internal 'RX prepared' flag when the PREPARERX task is triggered.

When the write command is received, the TWI slave will enter the RX state if the internal 'RX prepared' flag is set.

If the internal 'RX prepared' flag is not set when the write command is received, the TWI slave will stretch the master's clock until the PREPARERX task is triggered and the internal 'RX prepared' flag is set.

The TWI slave will generate the RXSTARTED event and clear the internal 'RX prepared' flag ('unprepare RX') when it enters the RX state. In this state, the TWI slave will be able to receive the bytes sent by the TWI master.

The TWI slave will go back to the IDLE state if the TWI slave receives a restart command when it is in the RX state.

The TWI slave is stopped when it receives the stop condition from the TWI master. A STOPPED event will be generated when the transaction has stopped. The TWI slave will clear the internal 'RX prepared' flag ('unprepare RX') and go back to the IDLE state when it has stopped.

The receive buffer is located in RAM at the address specified in the RXD.PTR register. The TWI slave will only be able to receive as many bytes as specified in the RXD.MAXCNT register. If the TWI master tries to send more bytes to the slave than it can receive, the extra bytes are discarded and NACKed by the slave. If this happens, an ERROR event will be generated.

The EasyDMA configuration registers, see RXD.PTR etc., are latched when the RXSTARTED event is generated.

The TWI slave can be forced to stop by triggering the STOP task. A STOPPED event will be generated when the TWI slave has stopped. The TWI slave will clear the internal 'RX prepared' flag and go back to the IDLE state when it has stopped, see also [Terminating an ongoing TWI transaction](#) on page 473.

The TWI slave will generate an ACK after every byte received from the master. The RXD.AMOUNT register can be queried after a transaction to see how many bytes were received.

A typical TWI slave write command response is shown in the following figure. Occurrence 2 in the figure illustrates clock stretching performed by the TWI slave following a SUSPEND task.

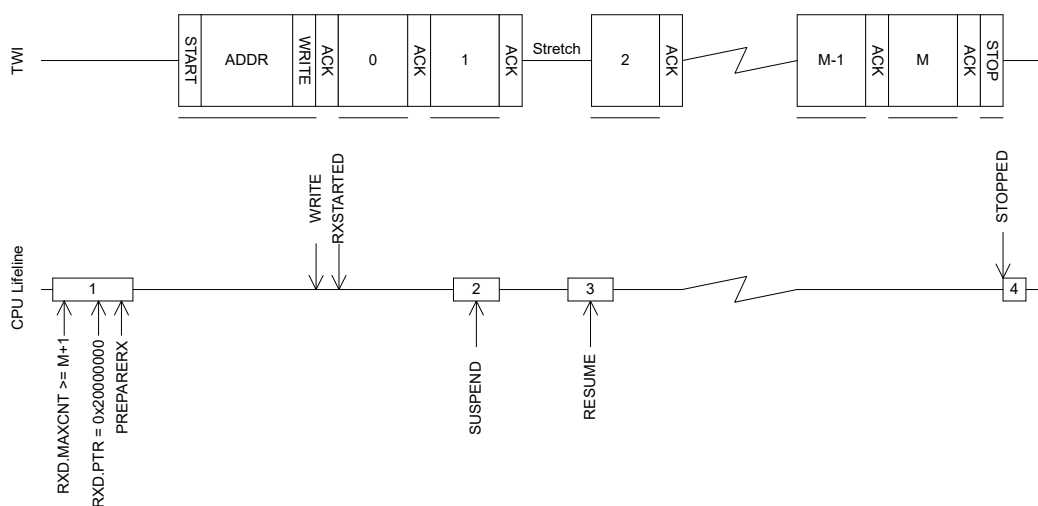


Figure 172: The TWI slave responding to a write command

6.30.4 Master repeated start sequence

An example of a repeated start sequence is one in which the TWI master writes two bytes to the slave followed by reading four bytes from the slave.

This is illustrated in the following figure.

In this example, the receiver does not know what the master wants to read in advance. This information is in the first two received bytes of the write in the repeated start sequence. To guarantee that the CPU is able to process the received data before the TWI slave starts to reply to the read command, the SUSPEND task is triggered via a shortcut from the READ event generated when the read command is received. When the CPU has processed the incoming data and prepared the correct data response, the CPU will resume the transaction by triggering the RESUME task.

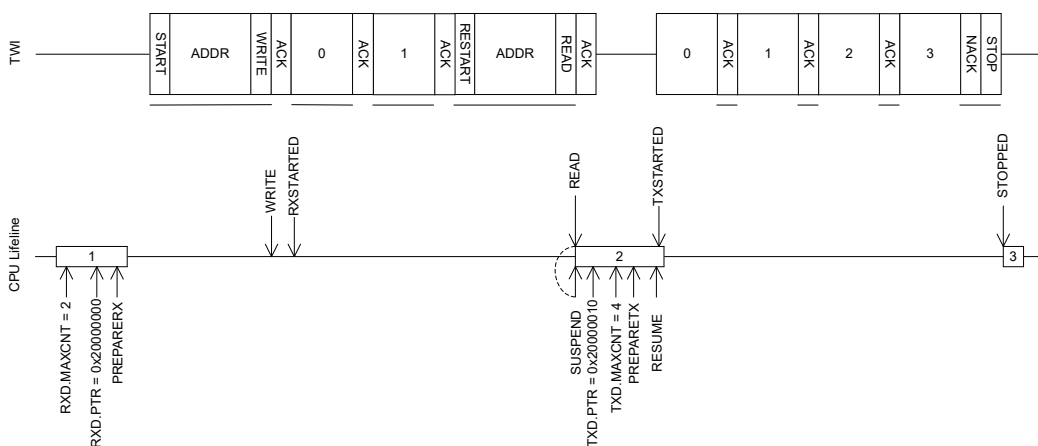


Figure 173: Repeated start sequence

6.30.5 Terminating an ongoing TWI transaction

In some situations, e.g. if the external TWI master is not responding correctly, it may be required to terminate an ongoing transaction.

This can be achieved by triggering the STOP task. In this situation, a STOPPED event will be generated when the TWI has stopped independent of whether or not a STOP condition has been generated on the TWI bus. The TWI slave will release the bus when it has stopped and go back to its IDLE state.

6.30.6 Low power

When putting the system in low power and the peripheral is not needed, lowest possible power consumption is achieved by stopping, and then disabling the peripheral.

The STOP task may not be always needed (the peripheral might already be stopped), but if it is sent, software shall wait until the STOPPED event was received as a response before disabling the peripheral through the ENABLE register.

6.30.7 Slave mode pin configuration

The SCL and SDA signals associated with the TWI slave are mapped to physical pins according to the configuration specified in the PSEL.SCL and PSEL.SDA registers respectively.

The PSEL.SCL and PSEL.SDA registers and their configurations are only used as long as the TWI slave is enabled, and retained only as long as the device is in ON mode. When the peripheral is disabled, the pins will behave as regular GPIOs, and use the configuration in their respective OUT bit field and PIN_CNF[n] register. PSEL.SCL and PSEL.SDA must only be configured when the TWI slave is disabled.

To secure correct signal levels on the pins used by the TWI slave when the system is in OFF mode, and when the TWI slave is disabled, these pins must be configured in the GPIO peripheral as described in the following table.

Only one peripheral can be assigned to drive a particular GPIO pin at a time. Failing to do so may result in unpredictable behavior.

TWI slave signal	TWI slave pin	Direction	Output value	Drive strength
SCL	As specified in PSEL.SCL	Input	Not applicable	S0D1
SDA	As specified in PSEL.SDA	Input	Not applicable	S0D1

Table 125: GPIO configuration before enabling peripheral

6.30.8 Registers

Base address	Peripheral	Instance	Description	Configuration
0x40003000	TWIS	TWIS0	Two-wire interface slave 0	
0x40004000	TWIS	TWIS1	Two-wire interface slave 1	

Table 126: Instances

Register	Offset	Description
TASKS_STOP	0x014	Stop TWI transaction
TASKS_SUSPEND	0x01C	Suspend TWI transaction
TASKS_RESUME	0x020	Resume TWI transaction
TASKS_PREPARERX	0x030	Prepare the TWI slave to respond to a write command
TASKS_PREPARETX	0x034	Prepare the TWI slave to respond to a read command
EVENTS_STOPPED	0x104	TWI stopped
EVENTS_ERROR	0x124	TWI error
EVENTS_RXSTARTED	0x14C	Receive sequence started
EVENTS_TXSTARTED	0x150	Transmit sequence started
EVENTS_WRITE	0x164	Write command received
EVENTS_READ	0x168	Read command received
SHORTS	0x200	Shortcuts between local events and tasks
INTEN	0x300	Enable or disable interrupt
INTENSET	0x304	Enable interrupt
INTENCLR	0x308	Disable interrupt

Register	Offset	Description
ERRORSRC	0x4D0	Error source
MATCH	0x4D4	Status register indicating which address had a match
ENABLE	0x500	Enable TWIS
PSEL.SCL	0x508	Pin select for SCL signal
PSEL.SDA	0x50C	Pin select for SDA signal
RXD.PTR	0x534	RXD Data pointer
RXD.MAXCNT	0x538	Maximum number of bytes in RXD buffer
RXD.AMOUNT	0x53C	Number of bytes transferred in the last RXD transaction
RXD.LIST	0x540	EasyDMA list type
TXD.PTR	0x544	TXD Data pointer
TXD.MAXCNT	0x548	Maximum number of bytes in TXD buffer
TXD.AMOUNT	0x54C	Number of bytes transferred in the last TXD transaction
TXD.LIST	0x550	EasyDMA list type
ADDRESS[0]	0x588	TWI slave address 0
ADDRESS[1]	0x58C	TWI slave address 1
CONFIG	0x594	Configuration register for the address match mechanism
ORC	0x5C0	Over-read character. Character sent out in case of an over-read of the transmit buffer.

Table 127: Register overview

6.30.8.1 TASKS_STOP

Address offset: 0x014

Stop TWI transaction

Bit number	31	30	29	28	27	26	25	24	23	22	21	20	19	18	17	16	15	14	13	12	11	10	9	8	7	6	5	4	3	2	1	0
ID																	A															
Reset 0x00000000	0																0															
ID	Acce	Field	Value ID	Value	Description																											
A	W	TASKS_STOP			Stop TWI transaction																											
			Trigger	1	Trigger task																											

6.30.8.2 TASKS_SUSPEND

Address offset: 0x01C

Suspend TWI transaction

Bit number	31	30	29	28	27	26	25	24	23	22	21	20	19	18	17	16	15	14	13	12	11	10	9	8	7	6	5	4	3	2	1	0
ID																	A															
Reset 0x00000000	0																0															
ID	Acce	Field	Value ID	Value	Description																											
A	W	TASKS_SUSPEND			Suspend TWI transaction																											
			Trigger	1	Trigger task																											

6.30.8.3 TASKS_RESUME

Address offset: 0x020

Resume TWI transaction

Bit number	31	30	29	28	27	26	25	24	23	22	21	20	19	18	17	16	15	14	13	12	11	10	9	8	7	6	5	4	3	2	1	0
ID																																A
Reset 0x00000000	0 0																															
ID	Acce Field	Value ID	Value	Description																												
A	W TASKS_RESUME	Trigger	1	Resume TWI transaction Trigger task																												

6.30.8.4 TASKS_PREPARERX

Address offset: 0x030

Prepare the TWI slave to respond to a write command

Bit number	31	30	29	28	27	26	25	24	23	22	21	20	19	18	17	16	15	14	13	12	11	10	9	8	7	6	5	4	3	2	1	0
ID																																A
Reset 0x00000000	0 0																															
ID	Acce Field	Value ID	Value	Description																												
A	W TASKS_PREPARERX	Trigger	1	Prepare the TWI slave to respond to a write command Trigger task																												

6.30.8.5 TASKS_PREPARETX

Address offset: 0x034

Prepare the TWI slave to respond to a read command

Bit number	31	30	29	28	27	26	25	24	23	22	21	20	19	18	17	16	15	14	13	12	11	10	9	8	7	6	5	4	3	2	1	0
ID																																A
Reset 0x00000000	0 0																															
ID	Acce Field	Value ID	Value	Description																												
A	W TASKS_PREPARETX	Trigger	1	Prepare the TWI slave to respond to a read command Trigger task																												

6.30.8.6 EVENTS_STOPPED

Address offset: 0x104

TWI stopped

Bit number	31	30	29	28	27	26	25	24	23	22	21	20	19	18	17	16	15	14	13	12	11	10	9	8	7	6	5	4	3	2	1	0
ID																																A
Reset 0x00000000	0 0																															
ID	Acce Field	Value ID	Value	Description																												
A	RW EVENTS_STOPPED	NotGenerated	0	TWI stopped Event not generated																												
		Generated	1	Event generated																												

6.30.8.7 EVENTS_ERROR

Address offset: 0x124

TWI error

Bit number	31	30	29	28	27	26	25	24	23	22	21	20	19	18	17	16	15	14	13	12	11	10	9	8	7	6	5	4	3	2	1	0
ID																																A
Reset 0x00000000	0 0																															
ID	Acce Field	Value ID	Value	Description																												
A	RW EVENTS_ERROR			TWI error																												
		NotGenerated	0	Event not generated																												
		Generated	1	Event generated																												

6.30.8.8 EVENTS_RXSTARTED

Address offset: 0x14C

Receive sequence started

Bit number	31	30	29	28	27	26	25	24	23	22	21	20	19	18	17	16	15	14	13	12	11	10	9	8	7	6	5	4	3	2	1	0
ID																																A
Reset 0x00000000	0 0																															
ID	Acce Field	Value ID	Value	Description																												
A	RW EVENTS_RXSTARTED			Receive sequence started																												
		NotGenerated	0	Event not generated																												
		Generated	1	Event generated																												

6.30.8.9 EVENTS_TXSTARTED

Address offset: 0x150

Transmit sequence started

Bit number	31	30	29	28	27	26	25	24	23	22	21	20	19	18	17	16	15	14	13	12	11	10	9	8	7	6	5	4	3	2	1	0
ID																																A
Reset 0x00000000	0 0																															
ID	Acce Field	Value ID	Value	Description																												
A	RW EVENTS_TXSTARTED			Transmit sequence started																												
		NotGenerated	0	Event not generated																												
		Generated	1	Event generated																												

6.30.8.10 EVENTS_WRITE

Address offset: 0x164

Write command received

Bit number	31	30	29	28	27	26	25	24	23	22	21	20	19	18	17	16	15	14	13	12	11	10	9	8	7	6	5	4	3	2	1	0
ID																																A
Reset 0x00000000	0 0																															
ID	Acce Field	Value ID	Value	Description																												
A	RW EVENTS_WRITE			Write command received																												
		NotGenerated	0	Event not generated																												
		Generated	1	Event generated																												

6.30.8.11 EVENTS_READ

Address offset: 0x168

Read command received

Bit number	31	30	29	28	27	26	25	24	23	22	21	20	19	18	17	16	15	14	13	12	11	10	9	8	7	6	5	4	3	2	1	0
ID																																A
Reset	0x00000000																															
Reset	0	0	0	0	0	0	0	0	0	0	0	0	0	0	0	0	0	0	0	0	0	0	0	0	0	0	0	0	0	0	0	0
ID	Acce Field	Value ID	Value	Description																												
A	RW EVENTS_READ			Read command received																												
		NotGenerated	0	Event not generated																												
		Generated	1	Event generated																												

6.30.8.12 SHORTS

Address offset: 0x200

Shortcuts between local events and tasks

Bit number	31	30	29	28	27	26	25	24	23	22	21	20	19	18	17	16	15	14	13	12	11	10	9	8	7	6	5	4	3	2	1	0	
ID																																B	A
Reset	0x00000000																																
Reset	0	0	0	0	0	0	0	0	0	0	0	0	0	0	0	0	0	0	0	0	0	0	0	0	0	0	0	0	0	0	0		
ID	Acce Field	Value ID	Value	Description																													
A	RW WRITE_SUSPEND			Shortcut between event WRITE and task SUSPEND																													
		Disabled	0	Disable shortcut																													
		Enabled	1	Enable shortcut																													
B	RW READ_SUSPEND			Shortcut between event READ and task SUSPEND																													
		Disabled	0	Disable shortcut																													
		Enabled	1	Enable shortcut																													

6.30.8.13 INTEN

Address offset: 0x300

Enable or disable interrupt

Bit number	31	30	29	28	27	26	25	24	23	22	21	20	19	18	17	16	15	14	13	12	11	10	9	8	7	6	5	4	3	2	1	0					
ID																																H	G	F	E	B	A
Reset	0x00000000																																				
Reset	0	0	0	0	0	0	0	0	0	0	0	0	0	0	0	0	0	0	0	0	0	0	0	0	0	0	0	0	0	0	0						
ID	Acce Field	Value ID	Value	Description																																	
A	RW STOPPED			Enable or disable interrupt for event STOPPED																																	
		Disabled	0	Disable																																	
		Enabled	1	Enable																																	
B	RW ERROR			Enable or disable interrupt for event ERROR																																	
		Disabled	0	Disable																																	
		Enabled	1	Enable																																	
E	RW RXSTARTED			Enable or disable interrupt for event RXSTARTED																																	
		Disabled	0	Disable																																	
		Enabled	1	Enable																																	
F	RW TXSTARTED			Enable or disable interrupt for event TXSTARTED																																	
		Disabled	0	Disable																																	
		Enabled	1	Enable																																	
G	RW WRITE			Enable or disable interrupt for event WRITE																																	
		Disabled	0	Disable																																	
		Enabled	1	Enable																																	
H	RW READ			Enable or disable interrupt for event READ																																	
		Disabled	0	Disable																																	
		Enabled	1	Enable																																	

6.30.8.14 INTENSET

Address offset: 0x304

Enable interrupt

Bit number	31 30 29 28 27 26 25 24 23 22 21 20 19 18 17 16 15 14 13 12 11 10 9 8 7 6 5 4 3 2 1 0																														
ID	H G						F E						B						A												
Reset 0x00000000	0 0																														
ID	Acce	Field	Value ID	Value	Description																										
A	RW	STOPPED			Write '1' to enable interrupt for event STOPPED																										
			Set	1	Enable																										
			Disabled	0	Read: Disabled																										
			Enabled	1	Read: Enabled																										
B	RW	ERROR			Write '1' to enable interrupt for event ERROR																										
			Set	1	Enable																										
			Disabled	0	Read: Disabled																										
			Enabled	1	Read: Enabled																										
E	RW	RXSTARTED			Write '1' to enable interrupt for event RXSTARTED																										
			Set	1	Enable																										
			Disabled	0	Read: Disabled																										
			Enabled	1	Read: Enabled																										
F	RW	TXSTARTED			Write '1' to enable interrupt for event TXSTARTED																										
			Set	1	Enable																										
			Disabled	0	Read: Disabled																										
			Enabled	1	Read: Enabled																										
G	RW	WRITE			Write '1' to enable interrupt for event WRITE																										
			Set	1	Enable																										
			Disabled	0	Read: Disabled																										
			Enabled	1	Read: Enabled																										
H	RW	READ			Write '1' to enable interrupt for event READ																										
			Set	1	Enable																										
			Disabled	0	Read: Disabled																										
			Enabled	1	Read: Enabled																										

6.30.8.15 INTENCLR

Address offset: 0x308

Disable interrupt

Bit number	31 30 29 28 27 26 25 24 23 22 21 20 19 18 17 16 15 14 13 12 11 10 9 8 7 6 5 4 3 2 1 0																														
ID	H G						F E						B						A												
Reset 0x00000000	0 0																														
ID	Acce	Field	Value ID	Value	Description																										
A	RW	STOPPED			Write '1' to disable interrupt for event STOPPED																										
			Clear	1	Disable																										
			Disabled	0	Read: Disabled																										
			Enabled	1	Read: Enabled																										
B	RW	ERROR			Write '1' to disable interrupt for event ERROR																										
			Clear	1	Disable																										
			Disabled	0	Read: Disabled																										
			Enabled	1	Read: Enabled																										
E	RW	RXSTARTED			Write '1' to disable interrupt for event RXSTARTED																										
			Clear	1	Disable																										

Bit number		31 30 29 28 27 26 25 24 23 22 21 20 19 18 17 16 15 14 13 12 11 10 9 8 7 6 5 4 3 2 1 0																											
ID		H G								F E								B								A			
Reset 0x00000000		0 0																											
ID	Acce Field	Value ID	Value	Description																									
		Disabled	0	Read: Disabled																									
		Enabled	1	Read: Enabled																									
F	RW TXSTARTED			Write '1' to disable interrupt for event TXSTARTED																									
		Clear	1	Disable																									
		Disabled	0	Read: Disabled																									
		Enabled	1	Read: Enabled																									
G	RW WRITE			Write '1' to disable interrupt for event WRITE																									
		Clear	1	Disable																									
		Disabled	0	Read: Disabled																									
		Enabled	1	Read: Enabled																									
H	RW READ			Write '1' to disable interrupt for event READ																									
		Clear	1	Disable																									
		Disabled	0	Read: Disabled																									
		Enabled	1	Read: Enabled																									

6.30.8.16 ERRORSRC

Address offset: 0x4D0

Error source

Bit number		31 30 29 28 27 26 25 24 23 22 21 20 19 18 17 16 15 14 13 12 11 10 9 8 7 6 5 4 3 2 1 0																											
ID																										C B		A	
Reset 0x00000000		0 0																											
ID	Acce Field	Value ID	Value	Description																									
A	RW OVERFLOW			RX buffer overflow detected, and prevented																									
		NotDetected	0	Error did not occur																									
		Detected	1	Error occurred																									
B	RW DNACK			NACK sent after receiving a data byte																									
		NotReceived	0	Error did not occur																									
		Received	1	Error occurred																									
C	RW OVERREAD			TX buffer over-read detected, and prevented																									
		NotDetected	0	Error did not occur																									
		Detected	1	Error occurred																									

6.30.8.17 MATCH

Address offset: 0x4D4

Status register indicating which address had a match

Bit number		31 30 29 28 27 26 25 24 23 22 21 20 19 18 17 16 15 14 13 12 11 10 9 8 7 6 5 4 3 2 1 0																											
ID																										A			
Reset 0x00000000		0 0																											
ID	Acce Field	Value ID	Value	Description																									
A	R MATCH		[0..1]	Indication of which address in {ADDRESS} that matched the incoming address																									

6.30.8.18 ENABLE

Address offset: 0x500

Enable TWIS

Bit number	31 30 29 28 27 26 25 24 23 22 21 20 19 18 17 16 15 14 13 12 11 10 9 8 7 6 5 4 3 2 1 0																														
ID	A A A A																														
Reset 0x00000000	0 0																														
ID	Acce Field	Value ID	Value	Description																											
A	RW ENABLE			Enable or disable TWIS																											
		Disabled	0	Disable TWIS																											
		Enabled	9	Enable TWIS																											

6.30.8.19 PSEL.SCL

Address offset: 0x508

Pin select for SCL signal

Bit number	31 30 29 28 27 26 25 24 23 22 21 20 19 18 17 16 15 14 13 12 11 10 9 8 7 6 5 4 3 2 1 0																														
ID	C B A A A A A																														
Reset 0xFFFFFFFF	1 1																														
ID	Acce Field	Value ID	Value	Description																											
A	RW PIN		[0..31]	Pin number																											
B	RW PORT		[0..1]	Port number																											
C	RW CONNECT			Connection																											
		Disconnected	1	Disconnect																											
		Connected	0	Connect																											

6.30.8.20 PSEL.SDA

Address offset: 0x50C

Pin select for SDA signal

Bit number	31 30 29 28 27 26 25 24 23 22 21 20 19 18 17 16 15 14 13 12 11 10 9 8 7 6 5 4 3 2 1 0																														
ID	C B A A A A A																														
Reset 0xFFFFFFFF	1 1																														
ID	Acce Field	Value ID	Value	Description																											
A	RW PIN		[0..31]	Pin number																											
B	RW PORT		[0..1]	Port number																											
C	RW CONNECT			Connection																											
		Disconnected	1	Disconnect																											
		Connected	0	Connect																											

6.30.8.21 RXD.PTR

Address offset: 0x534

RXD Data pointer

Bit number	31	30	29	28	27	26	25	24	23	22	21	20	19	18	17	16	15	14	13	12	11	10	9	8	7	6	5	4	3	2	1	0
ID	A	A	A	A	A	A	A	A	A	A	A	A	A	A	A	A	A	A	A	A	A	A	A	A	A	A	A	A	A	A	A	A
Reset	0	0	0	0	0	0	0	0	0	0	0	0	0	0	0	0	0	0	0	0	0	0	0	0	0	0	0	0	0	0	0	0

ID	Acce Field	Value ID	Value	Description
A	RW	PTR		TXD Data pointer

See the memory chapter for details about which memories are available for EasyDMA.

6.30.8.26 TXD.MAXCNT

Address offset: 0x548

Maximum number of bytes in TXD buffer

Bit number	31	30	29	28	27	26	25	24	23	22	21	20	19	18	17	16	15	14	13	12	11	10	9	8	7	6	5	4	3	2	1	0
ID																					A	A	A	A	A	A	A	A	A	A	A	A
Reset	0	0	0	0	0	0	0	0	0	0	0	0	0	0	0	0	0	0	0	0	0	0	0	0	0	0	0	0	0	0	0	0

ID	Acce Field	Value ID	Value	Description
A	RW	MAXCNT	[0..0xFFFF]	Maximum number of bytes in TXD buffer

6.30.8.27 TXD.AMOUNT

Address offset: 0x54C

Number of bytes transferred in the last TXD transaction

Bit number	31	30	29	28	27	26	25	24	23	22	21	20	19	18	17	16	15	14	13	12	11	10	9	8	7	6	5	4	3	2	1	0
ID																					A	A	A	A	A	A	A	A	A	A	A	A
Reset	0	0	0	0	0	0	0	0	0	0	0	0	0	0	0	0	0	0	0	0	0	0	0	0	0	0	0	0	0	0	0	0

ID	Acce Field	Value ID	Value	Description
A	R	AMOUNT	[0..0xFFFF]	Number of bytes transferred in the last TXD transaction

6.30.8.28 TXD.LIST

Address offset: 0x550

EasyDMA list type

Bit number	31	30	29	28	27	26	25	24	23	22	21	20	19	18	17	16	15	14	13	12	11	10	9	8	7	6	5	4	3	2	1	0	
ID																																A	A
Reset	0	0	0	0	0	0	0	0	0	0	0	0	0	0	0	0	0	0	0	0	0	0	0	0	0	0	0	0	0	0	0	0	

ID	Acce Field	Value ID	Value	Description
A	RW	LIST		List type
		Disabled	0	Disable EasyDMA list
		ArrayList	1	Use array list

6.30.8.29 ADDRESS[n] (n=0..1)

Address offset: 0x588 + (n × 0x4)

TWI slave address n

Bit number	31	30	29	28	27	26	25	24	23	22	21	20	19	18	17	16	15	14	13	12	11	10	9	8	7	6	5	4	3	2	1	0																									
ID																											A	A	A	A	A	A	A	A	A	A	A	A	A	A	A	A	A	A	A	A	A	A	A	A	A	A	A	A	A	A	
Reset	0x00000000																										0	0	0	0	0	0	0	0	0	0	0	0	0	0	0	0	0	0	0	0	0	0	0	0	0	0	0	0	0	0	0
ID	Acce Field	Value ID	Value	Description																																																					
A	RW	ADDRESS		TWI slave address																																																					

6.30.8.30 CONFIG

Address offset: 0x594

Configuration register for the address match mechanism

Bit number	31	30	29	28	27	26	25	24	23	22	21	20	19	18	17	16	15	14	13	12	11	10	9	8	7	6	5	4	3	2	1	0																									
ID																											B	A																													
Reset	0x00000001																										0	0	0	0	0	0	0	0	0	0	0	0	0	0	0	0	0	0	0	0	0	0	0	0	0	0	0	0	0	0	1
ID	Acce Field	Value ID	Value	Description																																																					
A-B	RW	ADDRESS[i] (i=0..1)		Enable or disable address matching on ADDRESS[i]																																																					
		Disabled	0	Disabled																																																					
		Enabled	1	Enabled																																																					

6.30.8.31 ORC

Address offset: 0x5C0

Over-read character. Character sent out in case of an over-read of the transmit buffer.

Bit number	31	30	29	28	27	26	25	24	23	22	21	20	19	18	17	16	15	14	13	12	11	10	9	8	7	6	5	4	3	2	1	0																									
ID																											A	A	A	A	A	A	A	A	A	A	A	A	A	A	A	A	A	A	A	A	A	A	A	A	A	A	A	A	A	A	
Reset	0x00000000																										0	0	0	0	0	0	0	0	0	0	0	0	0	0	0	0	0	0	0	0	0	0	0	0	0	0	0	0	0	0	0
ID	Acce Field	Value ID	Value	Description																																																					
A	RW	ORC		Over-read character. Character sent out in case of an over-read of the transmit buffer.																																																					

6.30.9 Electrical specification

6.30.9.1 TWIS slave timing specifications

Symbol	Description	Min.	Typ.	Max.	Units
$f_{TWIS,SCL}$	Bit rates for TWIS ³⁷	100		400	kbps
$t_{TWIS,START}$	Time from PREPARERX/PREPARETX task to ready to receive/transmit		1.5		μ s
t_{TWIS,SU_DAT}	Data setup time before positive edge on SCL – all modes	300			ns
t_{TWIS,HD_DAT}	Data hold time after negative edge on SCL – all modes	500			ns
$t_{TWIS,HD_STA,100kbps}$	TWI slave hold time from for START condition (SDA low to SCL low), 100 kbps	5200			ns
$t_{TWIS,HD_STA,400kbps}$	TWI slave hold time from for START condition (SDA low to SCL low), 400 kbps	1300			ns
$t_{TWIS,SU_STO,100kbps}$	TWI slave setup time from SCL high to STOP condition, 100 kbps	5200			ns

³⁷ High bit rates or stronger pull-ups may require GPIOs to be set as High Drive, see [GPIO](#) chapter for more details.

Symbol	Description	Min.	Typ.	Max.	Units
$t_{TWIS,SU_STO,400\text{kbps}}$	TWI slave setup time from SCL high to STOP condition, 400 kbps	1300			ns
$t_{TWIS,BUF,100\text{kbps}}$	TWI slave bus free time between STOP and START conditions, 100 kbps		4700		ns
$t_{TWIS,BUF,400\text{kbps}}$	TWI slave bus free time between STOP and START conditions, 400 kbps		1300		ns

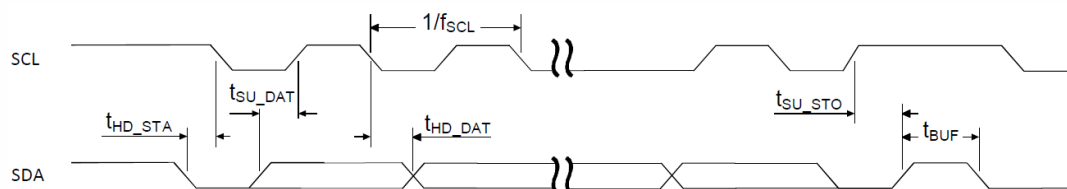


Figure 174: TWIS timing diagram, 1 byte transaction

6.31 UART — Universal asynchronous receiver/transmitter

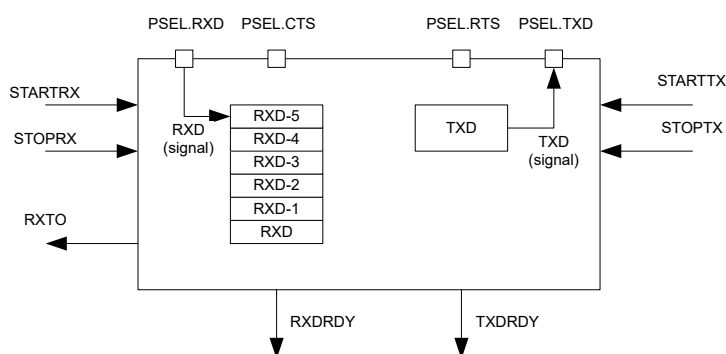


Figure 175: UART configuration

6.31.1 Functional description

Listed here are the main features of UART.

The UART implements support for the following features:

- Full-duplex operation
- Automatic flow control
- Parity checking and generation for the 9th data bit

As illustrated in [UART configuration](#) on page 485, the UART uses the TXD and RXD registers directly to transmit and receive data. The UART uses one stop bit.

Note: The external crystal oscillator must be enabled to obtain sufficient clock accuracy for stable communication. See [CLOCK — Clock control](#) on page 82 for more information.

6.31.2 Pin configuration

The different signals RXD, CTS (Clear To Send, active low), RTS (Request To Send, active low), and TXD associated with the UART are mapped to physical pins according to the configuration specified in the PSEL.RXD, PSEL.CTS, PSEL.RTS, and PSEL.TXD registers respectively.

If the CONNECT field of a PSEL.xxx register is set to Disconnected, the associated UART signal will not be connected to any physical pin. The PSEL.RXD, PSEL.CTS, PSEL.RTS, and PSEL.TXD registers and their configurations are only used as long as the UART is enabled, and retained only for the duration the device is in ON mode. PSEL.RXD, PSEL.CTS, PSEL.RTS, and PSEL.TXD must only be configured when the UART is disabled.

To secure correct signal levels on the pins by the UART when the system is in OFF mode, the pins must be configured in the GPIO peripheral as described in [Pin configuration](#) on page 486.

Only one peripheral can be assigned to drive a particular GPIO pin at a time. Failing to do so may result in unpredictable behavior.

UART pin	Direction	Output value
RXD	Input	Not applicable
CTS	Input	Not applicable
RTS	Output	1
TXD	Output	1

Table 128: GPIO configuration

6.31.3 Shared resources

The UART shares registers and resources with other peripherals that have the same ID as the UART.

All peripherals with the same ID as the UART must be disabled before configuring and using the UART. Disabling a peripheral that has the same ID as the UART will not reset any of the registers that are shared with the UART. It is therefore important to configure all relevant UART registers explicitly to ensure that it operates correctly.

See [Instantiation](#) on page 22 for details on peripherals and their IDs.

6.31.4 Transmission

A UART transmission sequence is started by triggering the STARTTX task.

Bytes are transmitted by writing to the TXD register. When a byte has been successfully transmitted, the UART will generate a TXDRDY event after which a new byte can be written to the TXD register. A UART transmission sequence is stopped immediately by triggering the STOPTH task.

If flow control is enabled, a transmission will be automatically suspended when CTS is deactivated, and resumed when CTS is activated again, as shown in the following figure. A byte that is in transmission when CTS is deactivated will be fully transmitted before the transmission is suspended. For more information, see [Suspending the UART](#) on page 488.

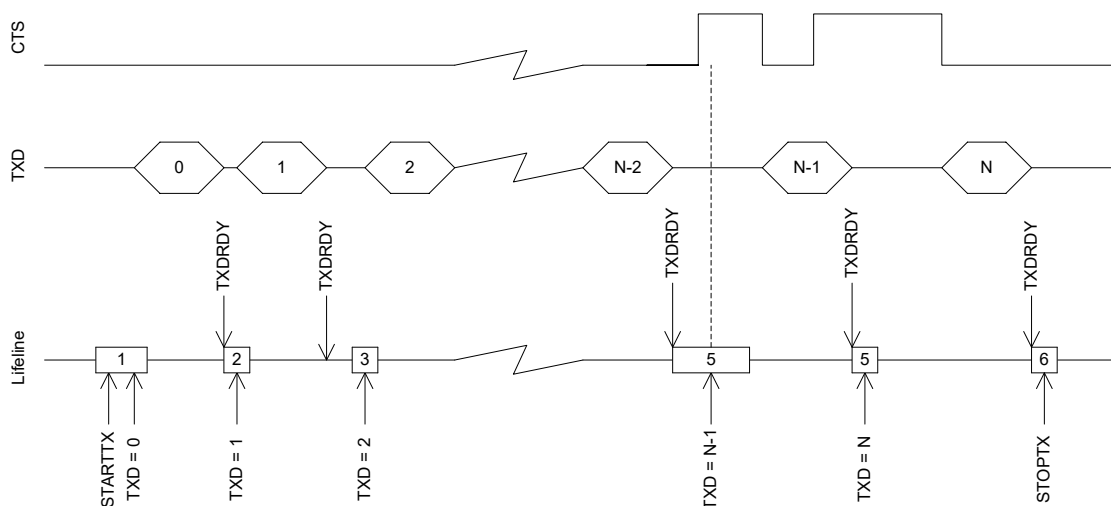


Figure 176: UART transmission

6.31.5 Reception

A UART reception sequence is started by triggering the STARTRX task.

The UART receiver chain implements a FIFO capable of storing six incoming RXD bytes before data is overwritten. Bytes are extracted from this FIFO by reading the RXD register. When a byte is extracted from the FIFO, a new byte pending in the FIFO will be moved to the RXD register. The UART will generate an RXDRDY event every time a new byte is moved to the RXD register.

When flow control is enabled, the UART will deactivate the RTS signal when there is only space for four more bytes in the receiver FIFO. The counterpart transmitter is therefore able to send up to four bytes after the RTS signal is deactivated before data is being overwritten. To prevent overwriting data in the FIFO, the counterpart UART transmitter must therefore make sure to stop transmitting data within four bytes after the RTS line is deactivated.

The RTS signal will first be activated again when the FIFO has been emptied, that is, when all bytes in the FIFO have been read by the CPU, see [UART reception](#) on page 488.

The RTS signal will also be deactivated when the receiver is stopped through the STOPRX task as illustrated in [UART reception](#) on page 488. The UART is able to receive four to five additional bytes if they are sent in succession immediately after the RTS signal has been deactivated. This is possible because the UART is, even after the STOPRX task is triggered, able to receive bytes for an extended period of time dependent on the configured baud rate. The UART will generate a receiver timeout event (RXTO) when this period has elapsed.

To prevent loss of incoming data, the RXD register must only be read one time following every RXDRDY event.

To secure that the CPU can detect all incoming RXDRDY events through the RXDRDY event register, the RXDRDY event register must be cleared before the RXD register is read. The reason for this is that the UART is allowed to write a new byte to the RXD register, and can generate a new event immediately after the RXD register is read (emptied) by the CPU.

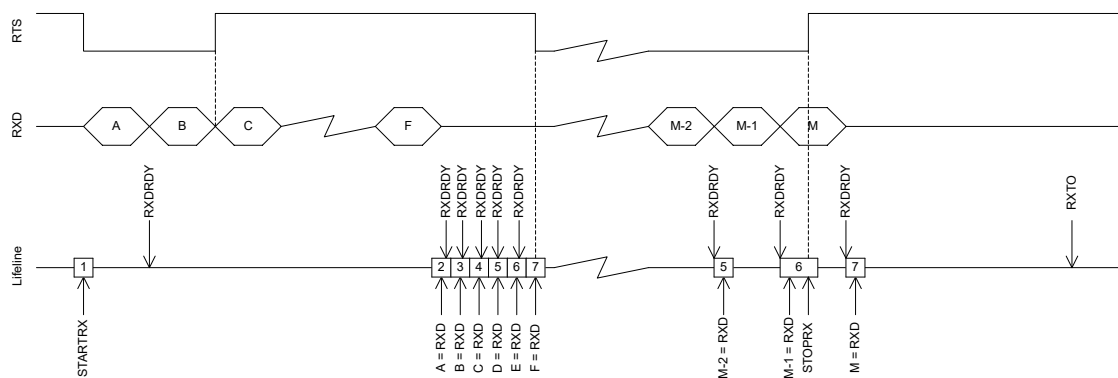


Figure 177: UART reception

As indicated in occurrence 2 in the figure, the RXDRDY event associated with byte B is generated first after byte A has been extracted from RXD.

6.31.6 Suspending the UART

The UART can be suspended by triggering the SUSPEND task.

SUSPEND will affect both the UART receiver and the UART transmitter, i.e. the transmitter will stop transmitting and the receiver will stop receiving. UART transmission and reception can be resumed, after being suspended, by triggering STARTTX and STARTRX respectively.

Following a SUSPEND task, an ongoing TXD byte transmission will be completed before the UART is suspended.

When the SUSPEND task is triggered, the UART receiver will behave in the same way as it does when the STOPRX task is triggered.

6.31.7 Error conditions

An ERROR event, in the form of a framing error, will be generated if a valid stop bit is not detected in a frame. Another ERROR event, in the form of a break condition, will be generated if the RXD line is held active low for longer than the length of a data frame. Effectively, a framing error is always generated before a break condition occurs.

6.31.8 Using the UART without flow control

If flow control is not enabled, the interface will behave as if the CTS and RTS lines are kept active all the time.

6.31.9 Parity and stop bit configuration

Automatic even parity generation for both transmission and reception can be configured using the register [CONFIG](#) on page 497. If odd parity is desired, it can be configured using the register [CONFIG](#) on page 497. See the register description for details.

The amount of stop bits can also be configured through the register [CONFIG](#) on page 497.

6.31.10 Registers

Base address	Peripheral	Instance	Description	Configuration
0x40002000	UART	UART0	Universal asynchronous receiver/transmitter	Deprecated

Table 129: Instances

Register	Offset	Description
TASKS_STARTRX	0x000	Start UART receiver
TASKS_STOPRX	0x004	Stop UART receiver
TASKS_STARTTX	0x008	Start UART transmitter
TASKS_STOPTX	0x00C	Stop UART transmitter
TASKS_SUSPEND	0x01C	Suspend UART
EVENTS_CTS	0x100	CTS is activated (set low). Clear To Send.
EVENTS_NCTS	0x104	CTS is deactivated (set high). Not Clear To Send.
EVENTS_RXDRDY	0x108	Data received in RXD
EVENTS_TXDRDY	0x11C	Data sent from TXD
EVENTS_ERROR	0x124	Error detected
EVENTS_RXTO	0x144	Receiver timeout
SHORTS	0x200	Shortcuts between local events and tasks
INTENSET	0x304	Enable interrupt
INTENCLR	0x308	Disable interrupt
ERRORSRC	0x480	Error source
ENABLE	0x500	Enable UART
PSEL.RTS	0x508	Pin select for RTS
PSEL.TXD	0x50C	Pin select for TXD
PSEL.CTS	0x510	Pin select for CTS
PSEL.RXD	0x514	Pin select for RXD
RXD	0x518	RXD register
TXD	0x51C	TXD register
BAUDRATE	0x524	Baud rate. Accuracy depends on the HFCLK source selected.
CONFIG	0x56C	Configuration of parity and hardware flow control

Table 130: Register overview

6.31.10.1 TASKS_STARTRX

Address offset: 0x000

Start UART receiver

Bit number	31 30 29 28 27 26 25 24 23 22 21 20 19 18 17 16 15 14 13 12 11 10 9 8 7 6 5 4 3 2 1 0																														
ID	A																														
Reset 0x00000000	0 0																														
ID	Acce	Field	Value	ID	Value	Description																									
A	W	TASKS_STARTRX				Start UART receiver																									
			Trigger		1	Trigger task																									

6.31.10.2 TASKS_STOPRX

Address offset: 0x004

Stop UART receiver

Bit number	31 30 29 28 27 26 25 24 23 22 21 20 19 18 17 16 15 14 13 12 11 10 9 8 7 6 5 4 3 2 1 0																														
ID	A																														
Reset 0x00000000	0 0																														
ID	Acce	Field	Value	ID	Value	Description																									
A	W	TASKS_STOPRX				Stop UART receiver																									
			Trigger		1	Trigger task																									

6.31.10.3 TASKS_STARTTX

Address offset: 0x008

Start UART transmitter

Bit number	31 30 29 28 27 26 25 24 23 22 21 20 19 18 17 16 15 14 13 12 11 10 9 8 7 6 5 4 3 2 1 0																														
ID	A																														
Reset 0x00000000	0 0																														
ID	Acce Field	Value ID	Value	Description																											
A	W TASKS_STARTTX			Start UART transmitter																											
		Trigger	1	Trigger task																											

6.31.10.4 TASKS_STOPTX

Address offset: 0x00C

Stop UART transmitter

Bit number	31 30 29 28 27 26 25 24 23 22 21 20 19 18 17 16 15 14 13 12 11 10 9 8 7 6 5 4 3 2 1 0																														
ID	A																														
Reset 0x00000000	0 0																														
ID	Acce Field	Value ID	Value	Description																											
A	W TASKS_STOPTX			Stop UART transmitter																											
		Trigger	1	Trigger task																											

6.31.10.5 TASKS_SUSPEND

Address offset: 0x01C

Suspend UART

Bit number	31 30 29 28 27 26 25 24 23 22 21 20 19 18 17 16 15 14 13 12 11 10 9 8 7 6 5 4 3 2 1 0																														
ID	A																														
Reset 0x00000000	0 0																														
ID	Acce Field	Value ID	Value	Description																											
A	W TASKS_SUSPEND			Suspend UART																											
		Trigger	1	Trigger task																											

6.31.10.6 EVENTS_CTS

Address offset: 0x100

CTS is activated (set low). Clear To Send.

Bit number	31 30 29 28 27 26 25 24 23 22 21 20 19 18 17 16 15 14 13 12 11 10 9 8 7 6 5 4 3 2 1 0																														
ID	A																														
Reset 0x00000000	0 0																														
ID	Acce Field	Value ID	Value	Description																											
A	RW EVENTS_CTS			CTS is activated (set low). Clear To Send.																											
		NotGenerated	0	Event not generated																											
		Generated	1	Event generated																											

6.31.10.7 EVENTS_NCTS

Address offset: 0x104

CTS is deactivated (set high). Not Clear To Send.

Bit number	31 30 29 28 27 26 25 24 23 22 21 20 19 18 17 16 15 14 13 12 11 10 9 8 7 6 5 4 3 2 1 0																														
ID	A																														
Reset 0x00000000	0 0																														
ID	Acce Field	Value ID	Value	Description																											
A	RW	EVENTS_NCTS		CTS is deactivated (set high). Not Clear To Send.																											
		NotGenerated	0	Event not generated																											
		Generated	1	Event generated																											

6.31.10.8 EVENTS_RXDRDY

Address offset: 0x108

Data received in RXD

Bit number	31 30 29 28 27 26 25 24 23 22 21 20 19 18 17 16 15 14 13 12 11 10 9 8 7 6 5 4 3 2 1 0																														
ID	A																														
Reset 0x00000000	0 0																														
ID	Acce Field	Value ID	Value	Description																											
A	RW	EVENTS_RXDRDY		Data received in RXD																											
		NotGenerated	0	Event not generated																											
		Generated	1	Event generated																											

6.31.10.9 EVENTS_TXDRDY

Address offset: 0x11C

Data sent from TXD

Bit number	31 30 29 28 27 26 25 24 23 22 21 20 19 18 17 16 15 14 13 12 11 10 9 8 7 6 5 4 3 2 1 0																														
ID	A																														
Reset 0x00000000	0 0																														
ID	Acce Field	Value ID	Value	Description																											
A	RW	EVENTS_TXDRDY		Data sent from TXD																											
		NotGenerated	0	Event not generated																											
		Generated	1	Event generated																											

6.31.10.10 EVENTS_ERROR

Address offset: 0x124

Error detected

Bit number	31 30 29 28 27 26 25 24 23 22 21 20 19 18 17 16 15 14 13 12 11 10 9 8 7 6 5 4 3 2 1 0																														
ID	A																														
Reset 0x00000000	0 0																														
ID	Acce Field	Value ID	Value	Description																											
A	RW	EVENTS_ERROR		Error detected																											
		NotGenerated	0	Event not generated																											
		Generated	1	Event generated																											

6.31.10.11 EVENTS_RXTO

Address offset: 0x144

Receiver timeout

Bit number	31	30	29	28	27	26	25	24	23	22	21	20	19	18	17	16	15	14	13	12	11	10	9	8	7	6	5	4	3	2	1	0
ID																																A
Reset 0x00000000	0 0																															
ID	Acce Field	Value ID	Value	Description																												
A	RW EVENTS_RXTO			Receiver timeout																												
		NotGenerated	0	Event not generated																												
		Generated	1	Event generated																												

6.31.10.12 SHORTS

Address offset: 0x200

Shortcuts between local events and tasks

Bit number	31	30	29	28	27	26	25	24	23	22	21	20	19	18	17	16	15	14	13	12	11	10	9	8	7	6	5	4	3	2	1	0
ID																																B A
Reset 0x00000000	0 0																															
ID	Acce Field	Value ID	Value	Description																												
A	RW CTS_STARTRX			Shortcut between event CTS and task STARTRX																												
		Disabled	0	Disable shortcut																												
		Enabled	1	Enable shortcut																												
B	RW NCTS_STOPRX			Shortcut between event NCTS and task STOPRX																												
		Disabled	0	Disable shortcut																												
		Enabled	1	Enable shortcut																												

6.31.10.13 INTENSET

Address offset: 0x304

Enable interrupt

Bit number	31	30	29	28	27	26	25	24	23	22	21	20	19	18	17	16	15	14	13	12	11	10	9	8	7	6	5	4	3	2	1	0
ID																																F E D C B A
Reset 0x00000000	0 0																															
ID	Acce Field	Value ID	Value	Description																												
A	RW CTS			Write '1' to enable interrupt for event CTS																												
		Set	1	Enable																												
		Disabled	0	Read: Disabled																												
		Enabled	1	Read: Enabled																												
B	RW NCTS			Write '1' to enable interrupt for event NCTS																												
		Set	1	Enable																												
		Disabled	0	Read: Disabled																												
		Enabled	1	Read: Enabled																												
C	RW RXDRDY			Write '1' to enable interrupt for event RXDRDY																												
		Set	1	Enable																												
		Disabled	0	Read: Disabled																												
		Enabled	1	Read: Enabled																												
D	RW TXDRDY			Write '1' to enable interrupt for event TXDRDY																												
		Set	1	Enable																												

Bit number	31 30 29 28 27 26 25 24 23 22 21 20 19 18 17 16 15 14 13 12 11 10 9 8 7 6 5 4 3 2 1 0																														
ID	F															E					D	C B A									
Reset 0x00000000	0 0																														
ID	Acce Field	Value ID	Value	Description																											
		Disabled	0	Read: Disabled																											
		Enabled	1	Read: Enabled																											
E	RW ERROR			Write '1' to enable interrupt for event ERROR																											
		Set	1	Enable																											
		Disabled	0	Read: Disabled																											
		Enabled	1	Read: Enabled																											
F	RW RXTO			Write '1' to enable interrupt for event RXTO																											
		Set	1	Enable																											
		Disabled	0	Read: Disabled																											
		Enabled	1	Read: Enabled																											

6.31.10.14 INTENCLR

Address offset: 0x308

Disable interrupt

Bit number	31 30 29 28 27 26 25 24 23 22 21 20 19 18 17 16 15 14 13 12 11 10 9 8 7 6 5 4 3 2 1 0																														
ID	F															E					D	C B A									
Reset 0x00000000	0 0																														
ID	Acce Field	Value ID	Value	Description																											
A	RW CTS			Write '1' to disable interrupt for event CTS																											
		Clear	1	Disable																											
		Disabled	0	Read: Disabled																											
		Enabled	1	Read: Enabled																											
B	RW NCTS			Write '1' to disable interrupt for event NCTS																											
		Clear	1	Disable																											
		Disabled	0	Read: Disabled																											
		Enabled	1	Read: Enabled																											
C	RW RXDRDY			Write '1' to disable interrupt for event RXDRDY																											
		Clear	1	Disable																											
		Disabled	0	Read: Disabled																											
		Enabled	1	Read: Enabled																											
D	RW TXDRDY			Write '1' to disable interrupt for event TXDRDY																											
		Clear	1	Disable																											
		Disabled	0	Read: Disabled																											
		Enabled	1	Read: Enabled																											
E	RW ERROR			Write '1' to disable interrupt for event ERROR																											
		Clear	1	Disable																											
		Disabled	0	Read: Disabled																											
		Enabled	1	Read: Enabled																											
F	RW RXTO			Write '1' to disable interrupt for event RXTO																											
		Clear	1	Disable																											
		Disabled	0	Read: Disabled																											
		Enabled	1	Read: Enabled																											

6.31.10.15 ERRORSRC

Address offset: 0x480

Error source

Bit number	31 30 29 28 27 26 25 24 23 22 21 20 19 18 17 16 15 14 13 12 11 10 9 8 7 6 5 4 3 2 1 0																																	
ID																															D	C	B	A
Reset	0x00000000																																	
ID	Acce	Field	Value ID	Value	Description																													
A	RW	OVERRUN			Overrun error																													
					A start bit is received while the previous data still lies in RXD. (Previous data is lost.)																													
			NotPresent	0	Read: error not present																													
			Present	1	Read: error present																													
B	RW	PARITY			Parity error																													
					A character with bad parity is received, if HW parity check is enabled.																													
			NotPresent	0	Read: error not present																													
			Present	1	Read: error present																													
C	RW	FRAMING			Framing error occurred																													
					A valid stop bit is not detected on the serial data input after all bits in a character have been received.																													
			NotPresent	0	Read: error not present																													
			Present	1	Read: error present																													
D	RW	BREAK			Break condition																													
					The serial data input is '0' for longer than the length of a data frame. (The data frame length is 10 bits without parity bit, and 11 bits with parity bit.)																													
			NotPresent	0	Read: error not present																													
			Present	1	Read: error present																													

6.31.10.16 ENABLE

Address offset: 0x500

Enable UART

Bit number	31 30 29 28 27 26 25 24 23 22 21 20 19 18 17 16 15 14 13 12 11 10 9 8 7 6 5 4 3 2 1 0																																	
ID																															A	A	A	A
Reset	0x00000000																																	
ID	Acce	Field	Value ID	Value	Description																													
A	RW	ENABLE			Enable or disable UART																													
			Disabled	0	Disable UART																													
			Enabled	4	Enable UART																													

6.31.10.17 PSEL.RTS

Address offset: 0x508

Pin select for RTS

Bit number	31	30	29	28	27	26	25	24	23	22	21	20	19	18	17	16	15	14	13	12	11	10	9	8	7	6	5	4	3	2	1	0
ID	C																								B				A	A	A	A
Reset 0xFFFFFFFF	1	1	1	1	1	1	1	1	1	1	1	1	1	1	1	1	1	1	1	1	1	1	1	1	1	1	1	1	1	1	1	
ID	Acce	Field	Value ID	Value	Description																											
A	RW	PIN		[0..31]	Pin number																											
B	RW	PORT		[0..1]	Port number																											
C	RW	CONNECT			Connection																											
			Disconnected	1	Disconnect																											
			Connected	0	Connect																											

6.31.10.18 PSEL.TXD

Address offset: 0x50C

Pin select for TXD

Bit number	31	30	29	28	27	26	25	24	23	22	21	20	19	18	17	16	15	14	13	12	11	10	9	8	7	6	5	4	3	2	1	0
ID	C																								B				A	A	A	A
Reset 0xFFFFFFFF	1	1	1	1	1	1	1	1	1	1	1	1	1	1	1	1	1	1	1	1	1	1	1	1	1	1	1	1	1	1	1	
ID	Acce	Field	Value ID	Value	Description																											
A	RW	PIN		[0..31]	Pin number																											
B	RW	PORT		[0..1]	Port number																											
C	RW	CONNECT			Connection																											
			Disconnected	1	Disconnect																											
			Connected	0	Connect																											

6.31.10.19 PSEL.CTS

Address offset: 0x510

Pin select for CTS

Bit number	31	30	29	28	27	26	25	24	23	22	21	20	19	18	17	16	15	14	13	12	11	10	9	8	7	6	5	4	3	2	1	0
ID	C																								B				A	A	A	A
Reset 0xFFFFFFFF	1	1	1	1	1	1	1	1	1	1	1	1	1	1	1	1	1	1	1	1	1	1	1	1	1	1	1	1	1	1	1	
ID	Acce	Field	Value ID	Value	Description																											
A	RW	PIN		[0..31]	Pin number																											
B	RW	PORT		[0..1]	Port number																											
C	RW	CONNECT			Connection																											
			Disconnected	1	Disconnect																											
			Connected	0	Connect																											

6.31.10.20 PSEL.RXD

Address offset: 0x514

Pin select for RXD

Bit number	31 30 29 28 27 26 25 24 23 22 21 20 19 18 17 16 15 14 13 12 11 10 9 8 7 6 5 4 3 2 1 0																																			
ID	C																												B			A	A	A	A	A
Reset 0xFFFFFFFF	1 1																																			
ID	Acce Field	Value ID	Value	Description																																
A	RW	PIN	[0..31]	Pin number																																
B	RW	PORT	[0..1]	Port number																																
C	RW	CONNECT		Connection																																
		Disconnected	1	Disconnect																																
		Connected	0	Connect																																

6.31.10.21 RXD

Address offset: 0x518

RXD register

Bit number	31 30 29 28 27 26 25 24 23 22 21 20 19 18 17 16 15 14 13 12 11 10 9 8 7 6 5 4 3 2 1 0																																			
ID																													A			A	A	A	A	A
Reset 0x00000000	0 0																																			
ID	Acce Field	Value ID	Value	Description																																
A	R	RXD		RX data received in previous transfers, double buffered																																

6.31.10.22 TXD

Address offset: 0x51C

TXD register

Bit number	31 30 29 28 27 26 25 24 23 22 21 20 19 18 17 16 15 14 13 12 11 10 9 8 7 6 5 4 3 2 1 0																																			
ID																													A			A	A	A	A	A
Reset 0x00000000	0 0																																			
ID	Acce Field	Value ID	Value	Description																																
A	W	TXD		TX data to be transferred																																

6.31.10.23 BAUDRATE

Address offset: 0x524

Baud rate. Accuracy depends on the HFCLK source selected.

Bit number	31 30 29 28 27 26 25 24 23 22 21 20 19 18 17 16 15 14 13 12 11 10 9 8 7 6 5 4 3 2 1 0																															
ID	A																												A	A	A	A
Reset 0x04000000	0 0 0 0 0 1 0																															
ID	Acce Field	Value ID	Value	Description																												
A	RW	BAUDRATE		Baud rate																												
		Baud1200	0x0004F000	1200 baud (actual rate: 1205)																												
		Baud2400	0x0009D000	2400 baud (actual rate: 2396)																												
		Baud4800	0x0013B000	4800 baud (actual rate: 4808)																												
		Baud9600	0x00275000	9600 baud (actual rate: 9598)																												
		Baud14400	0x003B0000	14400 baud (actual rate: 14414)																												
		Baud19200	0x004EA000	19200 baud (actual rate: 19208)																												
		Baud28800	0x0075F000	28800 baud (actual rate: 28829)																												
		Baud31250	0x00800000	31250 baud																												
		Baud38400	0x009D5000	38400 baud (actual rate: 38462)																												
		Baud56000	0x00E50000	56000 baud (actual rate: 55944)																												

Bit number	31	30	29	28	27	26	25	24	23	22	21	20	19	18	17	16	15	14	13	12	11	10	9	8	7	6	5	4	3	2	1	0
ID	A	A	A	A	A	A	A	A	A	A	A	A	A	A	A	A	A	A	A	A	A	A	A	A	A	A	A	A	A	A	A	A
Reset 0x04000000	0	0	0	0	0	1	0	0	0	0	0	0	0	0	0	0	0	0	0	0	0	0	0	0	0	0	0	0	0	0	0	
ID	Acces Field	Value ID	Value	Description																												
		Baud57600	0x00EBF000	57600 baud (actual rate: 57762)																												
		Baud76800	0x013A9000	76800 baud (actual rate: 76923)																												
		Baud115200	0x01D7E000	115200 baud (actual rate: 115942)																												
		Baud230400	0x03AFB000	230400 baud (actual rate: 231884)																												
		Baud250000	0x04000000	250000 baud																												
		Baud460800	0x075F7000	460800 baud (actual rate: 470588)																												
		Baud921600	0x0EBED000	921600 baud (actual rate: 941176)																												
		Baud1M	0x10000000	1Mega baud																												

6.31.10.24 CONFIG

Address offset: 0x56C

Configuration of parity and hardware flow control

Bit number	31	30	29	28	27	26	25	24	23	22	21	20	19	18	17	16	15	14	13	12	11	10	9	8	7	6	5	4	3	2	1	0		
ID																									D					C	B	B	B	A
Reset 0x00000000	0	0	0	0	0	0	0	0	0	0	0	0	0	0	0	0	0	0	0	0	0	0	0	0	0	0	0	0	0	0	0	0		
ID	Acces Field	Value ID	Value	Description																														
A	RW HWFC			Hardware flow control																														
		Disabled	0	Disabled																														
		Enabled	1	Enabled																														
B	RW PARITY			Parity																														
		Excluded	0x0	Exclude parity bit																														
		Included	0x7	Include parity bit																														
C	RW STOP			Stop bits																														
		One	0	One stop bit																														
		Two	1	Two stop bits																														
D	RW PARITYTYPE			Even or odd parity type																														
		Even	0	Even parity																														
		Odd	1	Odd parity																														

6.31.11 Electrical specification

6.31.11.1 UART electrical specification

Symbol	Description	Min.	Typ.	Max.	Units
f_{UART}	Baud rate for UART ³⁸ .			1000	kbps
$t_{\text{UART,CTSH}}$	CTS high time	1			μs
$t_{\text{UART,START}}$	Time from STARTRX/STARTTX task to transmission started		1		μs

³⁸ High baud rates may require GPIOs to be set as High Drive, see [GPIO](#) for more details.

6.32 UARTE — Universal asynchronous receiver/transmitter with EasyDMA

The Universal asynchronous receiver/transmitter with EasyDMA (UARTE) offers fast, full-duplex, asynchronous serial communication with built-in flow control (CTS, RTS) support in hardware at a rate up to 1 Mbps, and EasyDMA data transfer from/to RAM.

Listed here are the main features for UARTE:

- Full-duplex operation
- Automatic hardware flow control
- Optional even parity bit checking and generation
- EasyDMA
- Up to 1 Mbps baudrate
- Return to IDLE between transactions supported (when using HW flow control)
- One or two stop bit
- Least significant bit (LSB) first

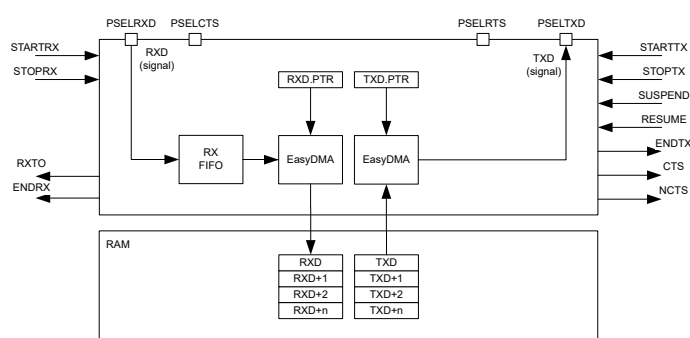


Figure 178: UARTE configuration

The GPIOs used for each UART interface can be chosen from any GPIO on the device and are independently configurable. This enables great flexibility in device pinout and efficient use of board space and signal routing.

Note: The external crystal oscillator must be enabled to obtain sufficient clock accuracy for stable communication. See [CLOCK — Clock control](#) on page 82 for more information.

6.32.1 EasyDMA

The UARTE implements EasyDMA for reading and writing to and from the RAM.

If the TXD.PTR and the RXD.PTR are not pointing to the Data RAM region, an EasyDMA transfer may result in a HardFault or RAM corruption. See [Memory](#) on page 19 for more information about the different memory regions.

The .PTR and .MAXCNT registers are double-buffered. They can be updated and prepared for the next RX/TX transmission immediately after having received the RXSTARTED/TXSTARTED event.

The ENDRX and ENDTX events indicate that the EasyDMA is finished accessing the RX or TX buffer in RAM.

6.32.2 Transmission

The first step of a DMA transmission is storing bytes in the transmit buffer and configuring EasyDMA. This is achieved by writing the initial address pointer to TXD.PTR, and the number of bytes in the RAM buffer to TXD.MAXCNT. The UARTE transmission is started by triggering the STARTTX task.

After each byte has been sent over the TXD line, a TXDRDY event will be generated.

When all bytes in the TXD buffer, as specified in the TXD.MAXCNT register, have been transmitted, the UARTE transmission will end automatically and an ENDTX event will be generated.

A UARTE transmission sequence is stopped by triggering the STOPTX task. A TXSTOPPED event will be generated when the UARTE transmitter has stopped.

If the ENDTX event has not already been generated when the UARTE transmitter has come to a stop, the UARTE will generate the ENDTX event explicitly even though all bytes in the TXD buffer, as specified in the TXD.MAXCNT register, have not been transmitted.

If flow control is enabled through the HWFC field in the CONFIG register, a transmission will be automatically suspended when CTS is deactivated and resumed when CTS is activated again, as shown in the following figure. A byte that is in transmission when CTS is deactivated will be fully transmitted before the transmission is suspended.

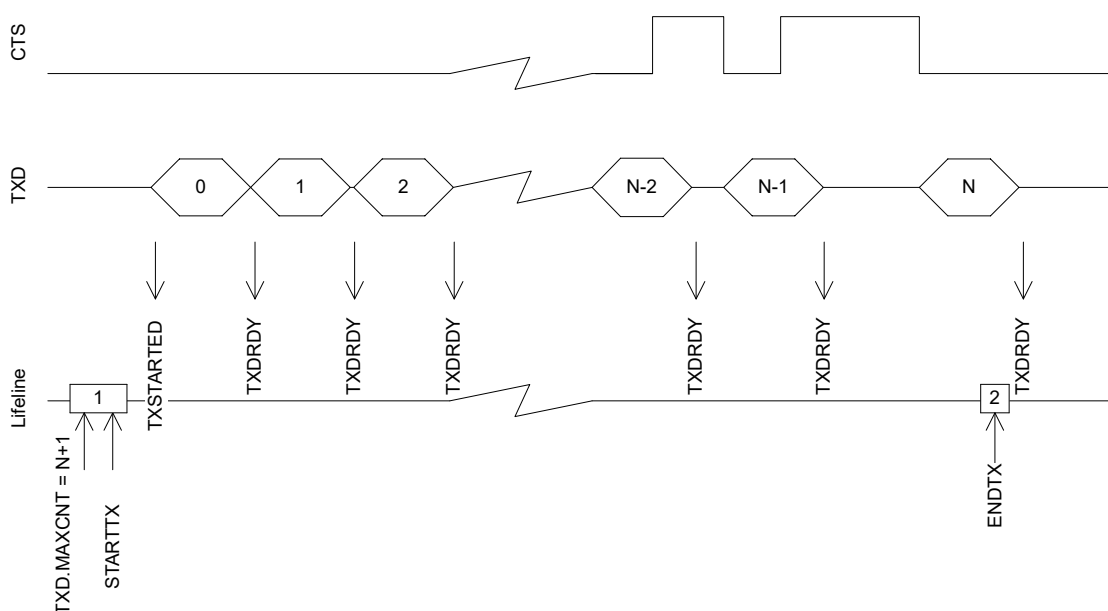


Figure 179: UARTE transmission

The UARTE transmitter will be in its lowest activity level, and consume the least amount of energy, when it is stopped, i.e. before it is started via STARTTX or after it has been stopped via STOPTX and the TXSTOPPED event has been generated. See [POWER — Power supply](#) on page 61 for more information about power modes.

6.32.3 Reception

The UARTE receiver is started by triggering the STARTRX task. The UARTE receiver is using EasyDMA to store incoming data in an RX buffer in RAM.

The RX buffer is located at the address specified in the RXD.PTR register. The RXD.PTR register is double-buffered and it can be updated and prepared for the next STARTRX task immediately after the RXSTARTED event is generated. The size of the RX buffer is specified in the RXD.MAXCNT register. The UARTE generates an ENDRX event when it has filled up the RX buffer, as seen in the following figure.

For each byte received over the RXD line, an RXDRDY event will be generated. This event is likely to occur before the corresponding data has been transferred to Data RAM.

The RXD.AMOUNT register can be queried following an ENDRX event to see how many new bytes have been transferred to the RX buffer in RAM since the previous ENDRX event.

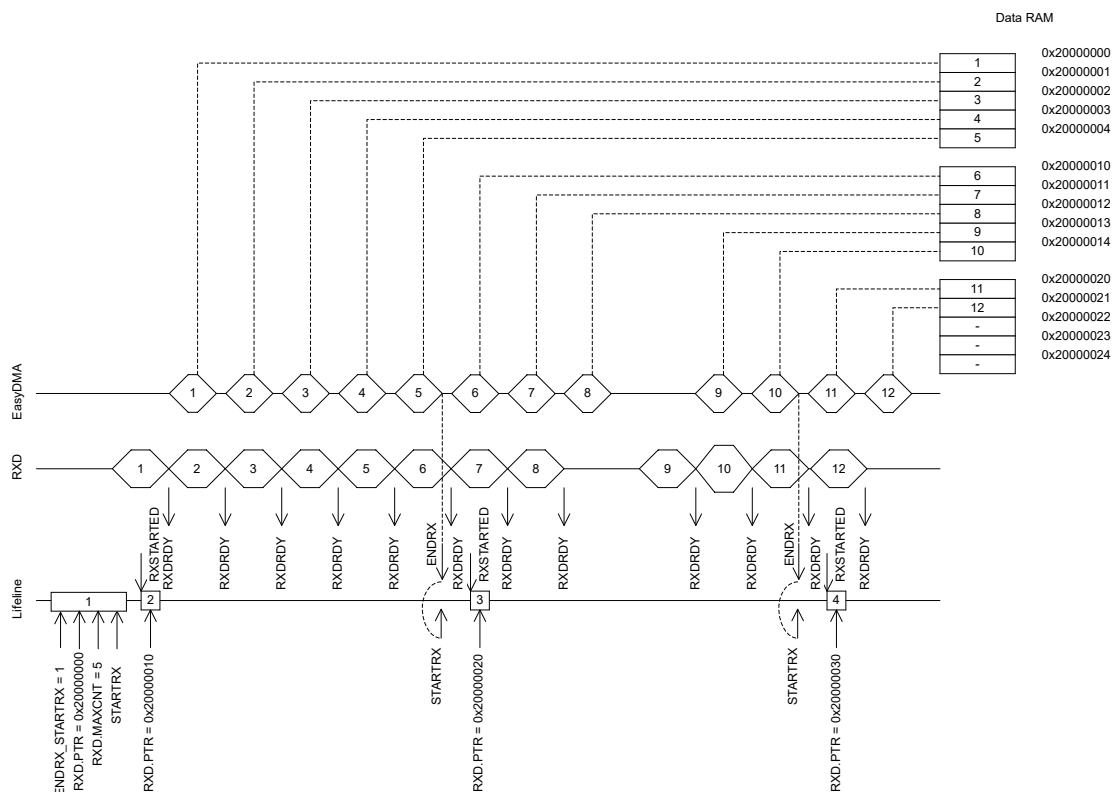


Figure 180: UARTe reception

The UARTe receiver is stopped by triggering the STOPRX task. An RXTO event is generated when the UARTe has stopped. The UARTe will make sure that an impending ENDRX event will be generated before the RXTO event is generated. This means that the UARTe will guarantee that no ENDRX event will be generated after RXTO, unless the UARTe is restarted or a FLUSHRX command is issued after the RXTO event is generated.

Note: If the ENDRX event has not been generated when the UARTe receiver stops, indicating that all pending content in the RX FIFO has been moved to the RX buffer, the UARTe will generate the ENDRX event explicitly even though the RX buffer is not full. In this scenario the ENDRX event will be generated before the RXTO event is generated.

To determine the amount of bytes the RX buffer has received, the CPU can read the RXD.AMOUNT register following the ENDRX event or the RXTO event.

The UARTe is able to receive up to four bytes after the STOPRX task has been triggered, as long as these are sent in succession immediately after the RTS signal is deactivated. After the RTS is deactivated, the UART is able to receive bytes for a period of time equal to the time needed to send four bytes on the configured baud rate.

After the RXTO event is generated the internal RX FIFO may still contain data, and to move this data to RAM the FLUSHRX task must be triggered. To make sure that this data does not overwrite data in the RX buffer, the RX buffer should be emptied or the RXD.PTR should be updated before the FLUSHRX task is triggered. To make sure that all data in the RX FIFO is moved to the RX buffer, the RXD.MAXCNT register must be set to $RXD.MAXCNT > 4$, as seen in the following figure. The UARTe will generate the ENDRX event after completing the FLUSHRX task even if the RX FIFO was empty or if the RX buffer does not get filled up.

To be able to know how many bytes have actually been received into the RX buffer in this case, the CPU can read the RXD.AMOUNT register following the ENDRX event.

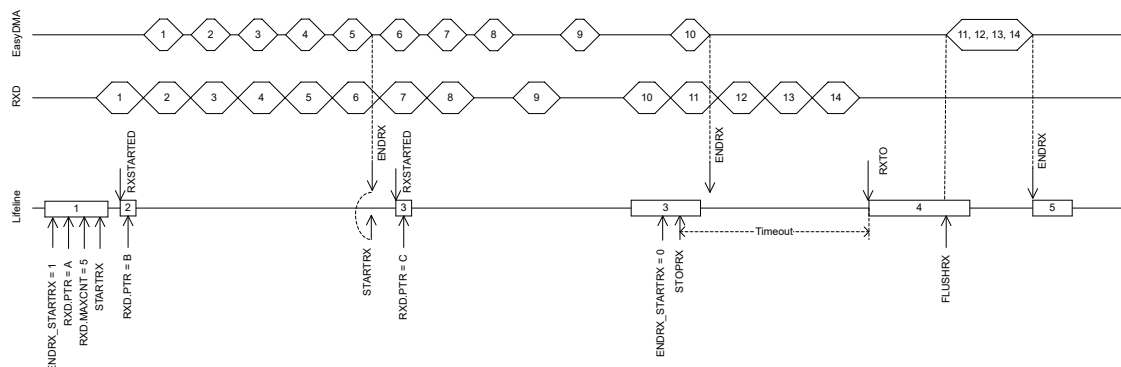


Figure 181: UARTE reception with forced stop via STOPRX

If HW flow control is enabled through the HWFC field in the CONFIG register, the RTS signal will be deactivated when the receiver is stopped via the STOPRX task or when the UARTE is only able to receive four more bytes in its internal RX FIFO.

With flow control disabled, the UARTE will function in the same way as when the flow control is enabled except that the RTS line will not be used. This means that no signal will be generated when the UARTE has reached the point where it is only able to receive four more bytes in its internal RX FIFO. Data received when the internal RX FIFO is filled up, will be lost.

The UARTE receiver will be in its lowest activity level, and consume the least amount of energy, when it is stopped, i.e. before it is started via STARTRX or after it has been stopped via STOPRX and the RXTO event has been generated. See [POWER — Power supply](#) on page 61 for more information about power modes.

6.32.4 Error conditions

An ERROR event, in the form of a framing error, will be generated if a valid stop bit is not detected in a frame. Another ERROR event, in the form of a break condition, will be generated if the RXD line is held active low for longer than the length of a data frame. Effectively, a framing error is always generated before a break condition occurs.

An ERROR event will not stop reception. If the error was a parity error, the received byte will still be transferred into Data RAM, and so will following incoming bytes. If there was a framing error (wrong stop bit), that specific byte will NOT be stored into Data RAM, but following incoming bytes will.

6.32.5 Using the UARTE without flow control

If flow control is not enabled, the interface will behave as if the CTS and RTS lines are kept active all the time.

6.32.6 Parity and stop bit configuration

Automatic even parity generation for both transmission and reception can be configured using the register [CONFIG](#) on page 515. If odd parity is desired, it can be configured using the register [CONFIG](#) on page 515. See the register description for details.

The amount of stop bits can also be configured through the register [CONFIG](#) on page 515.

6.32.7 Low power

When putting the system in low power and the peripheral is not needed, lowest possible power consumption is achieved by stopping, and then disabling the peripheral.

The STOPTX and STOPRX tasks may not be always needed (the peripheral might already be stopped), but if STOPTX and/or STOPRX is sent, software shall wait until the TXSTOPPED and/or RXTO event is received in response, before disabling the peripheral through the ENABLE register.

6.32.8 Pin configuration

The different signals RXD, CTS (Clear To Send, active low), RTS (Request To Send, active low), and TXD associated with the UARTE are mapped to physical pins according to the configuration specified in the PSEL.RXD, PSEL.CTS, PSEL.RTS, and PSEL.TXD registers respectively.

The PSEL.RXD, PSEL.CTS, PSEL.RTS, and PSEL.TXD registers and their configurations are only used as long as the UARTE is enabled, and retained only for the duration the device is in ON mode. PSEL.RXD, PSEL.RTS, PSEL.RTS, and PSEL.TXD must only be configured when the UARTE is disabled.

To secure correct signal levels on the pins by the UARTE when the system is in OFF mode, the pins must be configured in the GPIO peripheral as described in the following table.

Only one peripheral can be assigned to drive a particular GPIO pin at a time. Failing to do so may result in unpredictable behavior.

UARTE signal	UARTE pin	Direction	Output value
RXD	As specified in PSEL.RXD	Input	Not applicable
CTS	As specified in PSEL.CTS	Input	Not applicable
RTS	As specified in PSEL.RTS	Output	1
TXD	As specified in PSEL.TXD	Output	1

Table 131: GPIO configuration before enabling peripheral

6.32.9 Registers

Base address	Peripheral	Instance	Description	Configuration
0x40002000	UARTE	UARTE0	Universal asynchronous receiver/transmitter with EasyDMA, unit 0	
0x40028000	UARTE	UARTE1	Universal asynchronous receiver/transmitter with EasyDMA, unit 1	

Table 132: Instances

Register	Offset	Description
TASKS_STARTRX	0x000	Start UART receiver
TASKS_STOPRX	0x004	Stop UART receiver
TASKS_STARTTX	0x008	Start UART transmitter
TASKS_STOPTX	0x00C	Stop UART transmitter
TASKS_FLUSHRX	0x02C	Flush RX FIFO into RX buffer
EVENTS_CTS	0x100	CTS is activated (set low). Clear To Send.
EVENTS_NCTS	0x104	CTS is deactivated (set high). Not Clear To Send.
EVENTS_RXDRDY	0x108	Data received in RXD (but potentially not yet transferred to Data RAM)
EVENTS_ENDRX	0x110	Receive buffer is filled up
EVENTS_TXDRDY	0x11C	Data sent from TXD
EVENTS_ENDTX	0x120	Last TX byte transmitted
EVENTS_ERROR	0x124	Error detected
EVENTS_RXTO	0x144	Receiver timeout
EVENTS_RXSTARTED	0x14C	UART receiver has started
EVENTS_TXSTARTED	0x150	UART transmitter has started
EVENTS_TXSTOPPED	0x158	Transmitter stopped

Register	Offset	Description
SHORTS	0x200	Shortcuts between local events and tasks
INTEN	0x300	Enable or disable interrupt
INTENSET	0x304	Enable interrupt
INTENCLR	0x308	Disable interrupt
ERRORSRC	0x480	Error source This register is read/write one to clear.
ENABLE	0x500	Enable UART
PSEL.RTS	0x508	Pin select for RTS signal
PSEL.TXD	0x50C	Pin select for TXD signal
PSEL.CTS	0x510	Pin select for CTS signal
PSEL.RXD	0x514	Pin select for RXD signal
BAUDRATE	0x524	Baud rate. Accuracy depends on the HFCLK source selected.
RXD.PTR	0x534	Data pointer
RXD.MAXCNT	0x538	Maximum number of bytes in receive buffer
RXD.AMOUNT	0x53C	Number of bytes transferred in the last transaction
TXD.PTR	0x544	Data pointer
TXD.MAXCNT	0x548	Maximum number of bytes in transmit buffer
TXD.AMOUNT	0x54C	Number of bytes transferred in the last transaction
CONFIG	0x56C	Configuration of parity and hardware flow control

Table 133: Register overview

6.32.9.1 TASKS_STARTRX

Address offset: 0x000

Start UART receiver

Bit number	31 30 29 28 27 26 25 24 23 22 21 20 19 18 17 16 15 14 13 12 11 10 9 8 7 6 5 4 3 2 1 0																															
ID																																A
Reset 0x00000000	0 0																															
ID	Acce	Field	Value ID	Value	Description																											
A	W	TASKS_STARTRX	Trigger	1	Start UART receiver Trigger task																											

6.32.9.2 TASKS_STOPRX

Address offset: 0x004

Stop UART receiver

Bit number	31 30 29 28 27 26 25 24 23 22 21 20 19 18 17 16 15 14 13 12 11 10 9 8 7 6 5 4 3 2 1 0																															
ID																																A
Reset 0x00000000	0 0																															
ID	Acce	Field	Value ID	Value	Description																											
A	W	TASKS_STOPRX	Trigger	1	Stop UART receiver Trigger task																											

6.32.9.3 TASKS_STARTTX

Address offset: 0x008

Start UART transmitter

Bit number	31	30	29	28	27	26	25	24	23	22	21	20	19	18	17	16	15	14	13	12	11	10	9	8	7	6	5	4	3	2	1	0
ID																																A
Reset 0x00000000	0 0																															
ID	Acce Field	Value ID	Value	Description																												
A	W TASKS_STARTTX			Start UART transmitter																												
		Trigger	1	Trigger task																												

6.32.9.4 TASKS_STOPTX

Address offset: 0x00C

Stop UART transmitter

Bit number	31	30	29	28	27	26	25	24	23	22	21	20	19	18	17	16	15	14	13	12	11	10	9	8	7	6	5	4	3	2	1	0
ID																																A
Reset 0x00000000	0 0																															
ID	Acce Field	Value ID	Value	Description																												
A	W TASKS_STOPTX			Stop UART transmitter																												
		Trigger	1	Trigger task																												

6.32.9.5 TASKS_FLUSHRX

Address offset: 0x02C

Flush RX FIFO into RX buffer

Bit number	31	30	29	28	27	26	25	24	23	22	21	20	19	18	17	16	15	14	13	12	11	10	9	8	7	6	5	4	3	2	1	0
ID																																A
Reset 0x00000000	0 0																															
ID	Acce Field	Value ID	Value	Description																												
A	W TASKS_FLUSHRX			Flush RX FIFO into RX buffer																												
		Trigger	1	Trigger task																												

6.32.9.6 EVENTS_CTS

Address offset: 0x100

CTS is activated (set low). Clear To Send.

Bit number	31	30	29	28	27	26	25	24	23	22	21	20	19	18	17	16	15	14	13	12	11	10	9	8	7	6	5	4	3	2	1	0
ID																																A
Reset 0x00000000	0 0																															
ID	Acce Field	Value ID	Value	Description																												
A	RW EVENTS_CTS			CTS is activated (set low). Clear To Send.																												
		NotGenerated	0	Event not generated																												
		Generated	1	Event generated																												

6.32.9.7 EVENTS_NCTS

Address offset: 0x104

CTS is deactivated (set high). Not Clear To Send.

Bit number	31	30	29	28	27	26	25	24	23	22	21	20	19	18	17	16	15	14	13	12	11	10	9	8	7	6	5	4	3	2	1	0	
ID																																A	
Reset	0x00000000																																
0	0	0	0	0	0	0	0	0	0	0	0	0	0	0	0	0	0	0	0	0	0	0	0	0	0	0	0	0	0	0	0	0	0
ID	Acce Field	Value ID	Value	Description																													
A	RW EVENTS_NCTS			CTS is deactivated (set high). Not Clear To Send.																													
		NotGenerated	0	Event not generated																													
		Generated	1	Event generated																													

6.32.9.8 EVENTS_RXDRDY

Address offset: 0x108

Data received in RXD (but potentially not yet transferred to Data RAM)

Bit number	31	30	29	28	27	26	25	24	23	22	21	20	19	18	17	16	15	14	13	12	11	10	9	8	7	6	5	4	3	2	1	0
ID																																A
Reset	0x00000000																															
0	0	0	0	0	0	0	0	0	0	0	0	0	0	0	0	0	0	0	0	0	0	0	0	0	0	0	0	0	0	0	0	0
ID	Acce Field	Value ID	Value	Description																												
A	RW EVENTS_RXDRDY			Data received in RXD (but potentially not yet transferred to Data RAM)																												
		NotGenerated	0	Event not generated																												
		Generated	1	Event generated																												

6.32.9.9 EVENTS_ENDRX

Address offset: 0x110

Receive buffer is filled up

Bit number	31	30	29	28	27	26	25	24	23	22	21	20	19	18	17	16	15	14	13	12	11	10	9	8	7	6	5	4	3	2	1	0
ID																																A
Reset	0x00000000																															
0	0	0	0	0	0	0	0	0	0	0	0	0	0	0	0	0	0	0	0	0	0	0	0	0	0	0	0	0	0	0	0	0
ID	Acce Field	Value ID	Value	Description																												
A	RW EVENTS_ENDRX			Receive buffer is filled up																												
		NotGenerated	0	Event not generated																												
		Generated	1	Event generated																												

6.32.9.10 EVENTS_TXDRDY

Address offset: 0x11C

Data sent from TXD

Bit number	31	30	29	28	27	26	25	24	23	22	21	20	19	18	17	16	15	14	13	12	11	10	9	8	7	6	5	4	3	2	1	0
ID																																A
Reset	0x00000000																															
0	0	0	0	0	0	0	0	0	0	0	0	0	0	0	0	0	0	0	0	0	0	0	0	0	0	0	0	0	0	0	0	0
ID	Acce Field	Value ID	Value	Description																												
A	RW EVENTS_TXDRDY			Data sent from TXD																												
		NotGenerated	0	Event not generated																												
		Generated	1	Event generated																												

6.32.9.11 EVENTS_ENDTX

Address offset: 0x120

Last TX byte transmitted

Bit number	31	30	29	28	27	26	25	24	23	22	21	20	19	18	17	16	15	14	13	12	11	10	9	8	7	6	5	4	3	2	1	0
ID																																A
Reset	0x00000000																															
	0 0																															
ID	Acce Field	Value ID	Value	Description																												
A	RW	EVENTS_ENDTX		Last TX byte transmitted																												
		NotGenerated	0	Event not generated																												
		Generated	1	Event generated																												

6.32.9.12 EVENTS_ERROR

Address offset: 0x124

Error detected

Bit number	31	30	29	28	27	26	25	24	23	22	21	20	19	18	17	16	15	14	13	12	11	10	9	8	7	6	5	4	3	2	1	0
ID																																A
Reset	0x00000000																															
	0 0																															
ID	Acce Field	Value ID	Value	Description																												
A	RW	EVENTS_ERROR		Error detected																												
		NotGenerated	0	Event not generated																												
		Generated	1	Event generated																												

6.32.9.13 EVENTS_RXTO

Address offset: 0x144

Receiver timeout

Bit number	31	30	29	28	27	26	25	24	23	22	21	20	19	18	17	16	15	14	13	12	11	10	9	8	7	6	5	4	3	2	1	0
ID																																A
Reset	0x00000000																															
	0 0																															
ID	Acce Field	Value ID	Value	Description																												
A	RW	EVENTS_RXTO		Receiver timeout																												
		NotGenerated	0	Event not generated																												
		Generated	1	Event generated																												

6.32.9.14 EVENTS_RXSTARTED

Address offset: 0x14C

UART receiver has started

Bit number	31	30	29	28	27	26	25	24	23	22	21	20	19	18	17	16	15	14	13	12	11	10	9	8	7	6	5	4	3	2	1	0
ID																																A
Reset	0x00000000																															
	0 0																															
ID	Acce Field	Value ID	Value	Description																												
A	RW	EVENTS_RXSTARTED		UART receiver has started																												
		NotGenerated	0	Event not generated																												
		Generated	1	Event generated																												

6.32.9.15 EVENTS_TXSTARTED

Address offset: 0x150

UART transmitter has started

Bit number	31	30	29	28	27	26	25	24	23	22	21	20	19	18	17	16	15	14	13	12	11	10	9	8	7	6	5	4	3	2	1	0
ID																																A
Reset 0x00000000	0 0																															
ID	Acce Field	Value ID	Value	Description																												
A	RW	EVENTS_TXSTARTED		UART transmitter has started																												
			NotGenerated	0	Event not generated																											
			Generated	1	Event generated																											

6.32.9.16 EVENTS_TXSTOPPED

Address offset: 0x158

Transmitter stopped

Bit number	31	30	29	28	27	26	25	24	23	22	21	20	19	18	17	16	15	14	13	12	11	10	9	8	7	6	5	4	3	2	1	0
ID																																A
Reset 0x00000000	0 0																															
ID	Acce Field	Value ID	Value	Description																												
A	RW	EVENTS_TXSTOPPED		Transmitter stopped																												
			NotGenerated	0	Event not generated																											
			Generated	1	Event generated																											

6.32.9.17 SHORTS

Address offset: 0x200

Shortcuts between local events and tasks

Bit number	31	30	29	28	27	26	25	24	23	22	21	20	19	18	17	16	15	14	13	12	11	10	9	8	7	6	5	4	3	2	1	0
ID																													D	C		
Reset 0x00000000	0 0																															
ID	Acce Field	Value ID	Value	Description																												
C	RW	ENDRX_STARTRX		Shortcut between event ENDRX and task STARTRX																												
			Disabled	0	Disable shortcut																											
			Enabled	1	Enable shortcut																											
D	RW	ENDRX_STOPRX		Shortcut between event ENDRX and task STOPRX																												
			Disabled	0	Disable shortcut																											
			Enabled	1	Enable shortcut																											

6.32.9.18 INTEN

Address offset: 0x300

Enable or disable interrupt

Bit number	31	30	29	28	27	26	25	24	23	22	21	20	19	18	17	16	15	14	13	12	11	10	9	8	7	6	5	4	3	2	1	0
ID											L	J	I	H											G	F	E	D	C	B	A	
Reset 0x00000000	0 0																															
ID	Acce Field	Value ID	Value	Description																												
A	RW	CTS		Enable or disable interrupt for event CTS																												
			Disabled	0	Disable																											
			Enabled	1	Enable																											
B	RW	NCTS		Enable or disable interrupt for event NCTS																												
			Disabled	0	Disable																											
			Enabled	1	Enable																											

Bit number	31 30 29 28 27 26 25 24 23 22 21 20 19 18 17 16 15 14 13 12 11 10 9 8 7 6 5 4 3 2 1 0																														
ID	L J I H															G F E D C B A															
Reset 0x00000000	0 0																														
ID	Acce Field	Value ID	Value	Description																											
C	RW RXDRDY	Disabled	0	Disable																											
		Enabled	1	Enable																											
D	RW ENDRX	Disabled	0	Disable																											
		Enabled	1	Enable																											
E	RW TXDRDY	Disabled	0	Disable																											
		Enabled	1	Enable																											
F	RW ENDTX	Disabled	0	Disable																											
		Enabled	1	Enable																											
G	RW ERROR	Disabled	0	Disable																											
		Enabled	1	Enable																											
H	RW RXTO	Disabled	0	Disable																											
		Enabled	1	Enable																											
I	RW RXSTARTED	Disabled	0	Disable																											
		Enabled	1	Enable																											
J	RW TXSTARTED	Disabled	0	Disable																											
		Enabled	1	Enable																											
L	RW TXSTOPPED	Disabled	0	Disable																											
		Enabled	1	Enable																											

6.32.9.19 INTENSET

Address offset: 0x304

Enable interrupt

Bit number	31 30 29 28 27 26 25 24 23 22 21 20 19 18 17 16 15 14 13 12 11 10 9 8 7 6 5 4 3 2 1 0																														
ID	L J I H															G F E D C B A															
Reset 0x00000000	0 0																														
ID	Acce Field	Value ID	Value	Description																											
A	RW CTS	Set	1	Write '1' to enable interrupt for event CTS																											
		Disabled	0	Enable																											
		Enabled	1	Read: Disabled																											
B	RW NCTS	Set	1	Write '1' to enable interrupt for event NCTS																											
		Disabled	0	Enable																											
		Enabled	1	Read: Disabled																											
C	RW RXDRDY	Set	1	Write '1' to enable interrupt for event RXDRDY																											
		Disabled	0	Enable																											
		Enabled	1	Read: Disabled																											

Bit number	31 30 29 28 27 26 25 24 23 22 21 20 19 18 17 16 15 14 13 12 11 10 9 8 7 6 5 4 3 2 1 0																														
ID	L J I H																G F E D C B A														
Reset 0x00000000	0 0																														
ID	Acce Field	Value ID	Value	Description																											
D	RW ENDRX			Write '1' to enable interrupt for event ENDRX																											
		Set	1	Enable																											
		Disabled	0	Read: Disabled																											
		Enabled	1	Read: Enabled																											
E	RW TXDRDY			Write '1' to enable interrupt for event TXDRDY																											
		Set	1	Enable																											
		Disabled	0	Read: Disabled																											
		Enabled	1	Read: Enabled																											
F	RW ENDTX			Write '1' to enable interrupt for event ENDTX																											
		Set	1	Enable																											
		Disabled	0	Read: Disabled																											
		Enabled	1	Read: Enabled																											
G	RW ERROR			Write '1' to enable interrupt for event ERROR																											
		Set	1	Enable																											
		Disabled	0	Read: Disabled																											
		Enabled	1	Read: Enabled																											
H	RW RXTO			Write '1' to enable interrupt for event RXTO																											
		Set	1	Enable																											
		Disabled	0	Read: Disabled																											
		Enabled	1	Read: Enabled																											
I	RW RXSTARTED			Write '1' to enable interrupt for event RXSTARTED																											
		Set	1	Enable																											
		Disabled	0	Read: Disabled																											
		Enabled	1	Read: Enabled																											
J	RW TXSTARTED			Write '1' to enable interrupt for event TXSTARTED																											
		Set	1	Enable																											
		Disabled	0	Read: Disabled																											
		Enabled	1	Read: Enabled																											
L	RW TXSTOPPED			Write '1' to enable interrupt for event TXSTOPPED																											
		Set	1	Enable																											
		Disabled	0	Read: Disabled																											
		Enabled	1	Read: Enabled																											

6.32.9.20 INTENCLR

Address offset: 0x308

Disable interrupt

Bit number	31 30 29 28 27 26 25 24 23 22 21 20 19 18 17 16 15 14 13 12 11 10 9 8 7 6 5 4 3 2 1 0																														
ID	L J I H																G F E D C B A														
Reset 0x00000000	0 0																														
ID	Acce Field	Value ID	Value	Description																											
A	RW CTS			Write '1' to disable interrupt for event CTS																											
		Clear	1	Disable																											
		Disabled	0	Read: Disabled																											
		Enabled	1	Read: Enabled																											
B	RW NCTS			Write '1' to disable interrupt for event NCTS																											
		Clear	1	Disable																											
		Disabled	0	Read: Disabled																											

Bit number		31 30 29 28 27 26 25 24 23 22 21 20 19 18 17 16 15 14 13 12 11 10 9 8 7 6 5 4 3 2 1 0																											
ID		L J I H																G F E D C B A											
Reset 0x00000000		0 0																											
ID	Acce Field	Value ID	Value	Description																									
		Enabled	1	Read: Enabled																									
C	RW RXDRDY			Write '1' to disable interrupt for event RXDRDY																									
		Clear	1	Disable																									
		Disabled	0	Read: Disabled																									
		Enabled	1	Read: Enabled																									
D	RW ENDRX			Write '1' to disable interrupt for event ENDRX																									
		Clear	1	Disable																									
		Disabled	0	Read: Disabled																									
		Enabled	1	Read: Enabled																									
E	RW TXDRDY			Write '1' to disable interrupt for event TXDRDY																									
		Clear	1	Disable																									
		Disabled	0	Read: Disabled																									
		Enabled	1	Read: Enabled																									
F	RW ENDTX			Write '1' to disable interrupt for event ENDTX																									
		Clear	1	Disable																									
		Disabled	0	Read: Disabled																									
		Enabled	1	Read: Enabled																									
G	RW ERROR			Write '1' to disable interrupt for event ERROR																									
		Clear	1	Disable																									
		Disabled	0	Read: Disabled																									
		Enabled	1	Read: Enabled																									
H	RW RXTO			Write '1' to disable interrupt for event RXTO																									
		Clear	1	Disable																									
		Disabled	0	Read: Disabled																									
		Enabled	1	Read: Enabled																									
I	RW RXSTARTED			Write '1' to disable interrupt for event RXSTARTED																									
		Clear	1	Disable																									
		Disabled	0	Read: Disabled																									
		Enabled	1	Read: Enabled																									
J	RW TXSTARTED			Write '1' to disable interrupt for event TXSTARTED																									
		Clear	1	Disable																									
		Disabled	0	Read: Disabled																									
		Enabled	1	Read: Enabled																									
L	RW TXSTOPPED			Write '1' to disable interrupt for event TXSTOPPED																									
		Clear	1	Disable																									
		Disabled	0	Read: Disabled																									
		Enabled	1	Read: Enabled																									

6.32.9.21 ERRORSRC

Address offset: 0x480

Error source

This register is read/write one to clear.

Bit number	31 30 29 28 27 26 25 24 23 22 21 20 19 18 17 16 15 14 13 12 11 10 9 8 7 6 5 4 3 2 1 0																															
ID																																D C B A
Reset 0x00000000	0 0																															
ID	Acce Field	Value ID	Value	Description																												
A	RW	OVERRUN		Overrun error																												
				A start bit is received while the previous data still lies in RXD. (Previous data is lost.)																												
			NotPresent	0	Read: error not present																											
		Present	1	Read: error present																												
B	RW	PARITY		Parity error																												
				A character with bad parity is received, if HW parity check is enabled.																												
			NotPresent	0	Read: error not present																											
		Present	1	Read: error present																												
C	RW	FRAMING		Framing error occurred																												
				A valid stop bit is not detected on the serial data input after all bits in a character have been received.																												
			NotPresent	0	Read: error not present																											
		Present	1	Read: error present																												
D	RW	BREAK		Break condition																												
				The serial data input is '0' for longer than the length of a data frame. (The data frame length is 10 bits without parity bit, and 11 bits with parity bit).																												
			NotPresent	0	Read: error not present																											
		Present	1	Read: error present																												

6.32.9.22 ENABLE

Address offset: 0x500

Enable UART

Bit number	31 30 29 28 27 26 25 24 23 22 21 20 19 18 17 16 15 14 13 12 11 10 9 8 7 6 5 4 3 2 1 0																															
ID																																A A A A
Reset 0x00000000	0 0																															
ID	Acce Field	Value ID	Value	Description																												
A	RW	ENABLE		Enable or disable UARTE																												
			Disabled	0	Disable UARTE																											
			Enabled	8	Enable UARTE																											

6.32.9.23 PSEL.RTS

Address offset: 0x508

Pin select for RTS signal

Bit number	31	30	29	28	27	26	25	24	23	22	21	20	19	18	17	16	15	14	13	12	11	10	9	8	7	6	5	4	3	2	1	0
ID	C																							B				A	A	A	A	A
Reset 0xFFFFFFFF	1	1	1	1	1	1	1	1	1	1	1	1	1	1	1	1	1	1	1	1	1	1	1	1	1	1	1	1	1	1	1	1
ID	Acce	Field	Value ID	Value	Description																											
A	RW	PIN		[0..31]	Pin number																											
B	RW	PORT		[0..1]	Port number																											
C	RW	CONNECT			Connection																											
			Disconnected	1	Disconnect																											
			Connected	0	Connect																											

6.32.9.24 PSEL.TXD

Address offset: 0x50C

Pin select for TXD signal

Bit number	31	30	29	28	27	26	25	24	23	22	21	20	19	18	17	16	15	14	13	12	11	10	9	8	7	6	5	4	3	2	1	0
ID	C																							B				A	A	A	A	A
Reset 0xFFFFFFFF	1	1	1	1	1	1	1	1	1	1	1	1	1	1	1	1	1	1	1	1	1	1	1	1	1	1	1	1	1	1	1	
ID	Acce	Field	Value ID	Value	Description																											
A	RW	PIN		[0..31]	Pin number																											
B	RW	PORT		[0..1]	Port number																											
C	RW	CONNECT			Connection																											
			Disconnected	1	Disconnect																											
			Connected	0	Connect																											

6.32.9.25 PSEL.CTS

Address offset: 0x510

Pin select for CTS signal

Bit number	31	30	29	28	27	26	25	24	23	22	21	20	19	18	17	16	15	14	13	12	11	10	9	8	7	6	5	4	3	2	1	0
ID	C																							B				A	A	A	A	A
Reset 0xFFFFFFFF	1	1	1	1	1	1	1	1	1	1	1	1	1	1	1	1	1	1	1	1	1	1	1	1	1	1	1	1	1	1	1	
ID	Acce	Field	Value ID	Value	Description																											
A	RW	PIN		[0..31]	Pin number																											
B	RW	PORT		[0..1]	Port number																											
C	RW	CONNECT			Connection																											
			Disconnected	1	Disconnect																											
			Connected	0	Connect																											

6.32.9.26 PSEL.RXD

Address offset: 0x514

Pin select for RXD signal

Bit number	31	30	29	28	27	26	25	24	23	22	21	20	19	18	17	16	15	14	13	12	11	10	9	8	7	6	5	4	3	2	1	0
ID	C																B											A	A	A	A	A
Reset 0xFFFFFFF	1	1	1	1	1	1	1	1	1	1	1	1	1	1	1	1	1	1	1	1	1	1	1	1	1	1	1	1	1	1	1	1
ID	Acce	Field	Value ID	Value	Description																											
A	RW	PIN		[0..31]	Pin number																											
B	RW	PORT		[0..1]	Port number																											
C	RW	CONNECT			Connection																											
			Disconnected	1	Disconnect																											
			Connected	0	Connect																											

6.32.9.27 BAUDRATE

Address offset: 0x524

Baud rate. Accuracy depends on the HFCLK source selected.

Bit number	31	30	29	28	27	26	25	24	23	22	21	20	19	18	17	16	15	14	13	12	11	10	9	8	7	6	5	4	3	2	1	0
ID	A	A	A	A	A	A	A	A	A	A	A	A	A	A	A	A	A	A	A	A	A	A	A	A	A	A	A	A	A	A	A	
Reset 0x04000000	0	0	0	0	0	0	1	0	0	0	0	0	0	0	0	0	0	0	0	0	0	0	0	0	0	0	0	0	0	0	0	
ID	Acce	Field	Value ID	Value	Description																											
A	RW	BAUDRATE			Baud rate																											
			Baud1200	0x0004F000	1200 baud (actual rate: 1205)																											
			Baud2400	0x0009D000	2400 baud (actual rate: 2396)																											
			Baud4800	0x0013B000	4800 baud (actual rate: 4808)																											
			Baud9600	0x00275000	9600 baud (actual rate: 9598)																											
			Baud14400	0x003AF000	14400 baud (actual rate: 14401)																											
			Baud19200	0x004EA000	19200 baud (actual rate: 19208)																											
			Baud28800	0x0075C000	28800 baud (actual rate: 28777)																											
			Baud31250	0x00800000	31250 baud																											
			Baud38400	0x009D0000	38400 baud (actual rate: 38369)																											
			Baud56000	0x00E50000	56000 baud (actual rate: 55944)																											
			Baud57600	0x00EB0000	57600 baud (actual rate: 57554)																											
			Baud76800	0x013A9000	76800 baud (actual rate: 76923)																											
			Baud115200	0x01D60000	115200 baud (actual rate: 115108)																											
			Baud230400	0x03B00000	230400 baud (actual rate: 231884)																											
			Baud250000	0x04000000	250000 baud																											
			Baud460800	0x07400000	460800 baud (actual rate: 457143)																											
			Baud921600	0x0F000000	921600 baud (actual rate: 941176)																											
			Baud1M	0x10000000	1 megabaud																											

6.32.9.28 RXD.PTR

Address offset: 0x534

Data pointer

Bit number	31	30	29	28	27	26	25	24	23	22	21	20	19	18	17	16	15	14	13	12	11	10	9	8	7	6	5	4	3	2	1	0
ID	A	A	A	A	A	A	A	A	A	A	A	A	A	A	A	A	A	A	A	A	A	A	A	A	A	A	A	A	A	A	A	
Reset 0x00000000	0	0	0	0	0	0	0	0	0	0	0	0	0	0	0	0	0	0	0	0	0	0	0	0	0	0	0	0	0	0	0	
ID	Acce	Field	Value ID	Value	Description																											
A	RW	PTR			Data pointer																											

See the memory chapter for details about which memories are available for EasyDMA.

Bit number	31	30	29	28	27	26	25	24	23	22	21	20	19	18	17	16	15	14	13	12	11	10	9	8	7	6	5	4	3	2	1	0
ID	A A A A A A A A A A A A A A A A A A																															
Reset 0x00000000	0 0																															
ID	Acce Field	Value ID	Value	Description																												
A	R	AMOUNT	[0..0xFFFF]	Number of bytes transferred in the last transaction																												

6.32.9.34 CONFIG

Address offset: 0x56C

Configuration of parity and hardware flow control

Bit number	31	30	29	28	27	26	25	24	23	22	21	20	19	18	17	16	15	14	13	12	11	10	9	8	7	6	5	4	3	2	1	0
ID	D C B B B A																															
Reset 0x00000000	0 0																															
ID	Acce Field	Value ID	Value	Description																												
A	RW	HWFC		Hardware flow control																												
		Disabled	0	Disabled																												
		Enabled	1	Enabled																												
B	RW	PARITY		Parity																												
		Excluded	0x0	Exclude parity bit																												
		Included	0x7	Include even parity bit																												
C	RW	STOP		Stop bits																												
		One	0	One stop bit																												
		Two	1	Two stop bits																												
D	RW	PARITYTYPE		Even or odd parity type																												
		Even	0	Even parity																												
		Odd	1	Odd parity																												

6.32.10 Electrical specification

6.32.10.1 UARTE electrical specification

Symbol	Description	Min.	Typ.	Max.	Units
f_{UARTE}	Baud rate for UARTE ³⁹ .			1000	kbps
$t_{UARTE,CTSH}$	CTS high time	1			μ s
$t_{UARTE,START}$	Time from STARTRX/STARTTX task to transmission started		1		μ s

6.33 USB — Universal serial bus device

The USB device (USB) controller implements a full speed USB device function that meets 2.0 revision of the USB specification.

³⁹ High baud rates may require GPIOs to be set as High Drive, see GPIO chapter for more details.

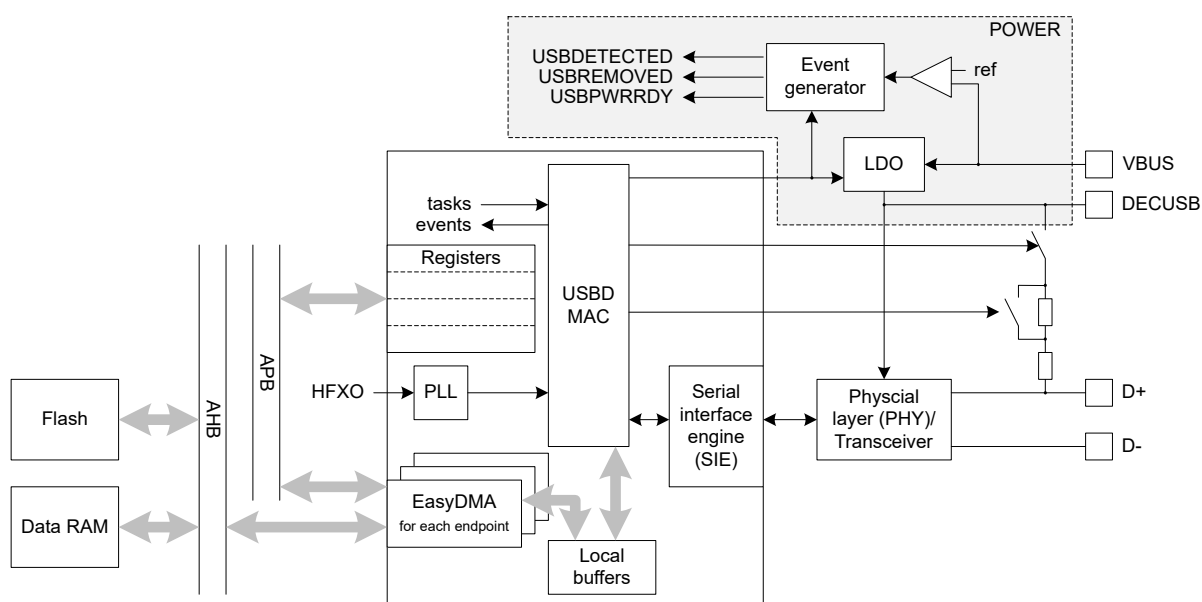


Figure 182: USB device block diagram

Listed here are the main features for USB:

- Full-speed (12 Mbps) device fully compliant to [Universal Serial Bus Specification Revision 2.0](#), including following engineering change notices (ECNs) issued by USB Implementers Forum:
 - *Pull-up/pull-down Resistors ECN*
 - *5V Short Circuit Withstand Requirement Change ECN*
- USB device stack available in the Nordic SDK
- Integrated (on-chip) USB transceiver (PHY)
- Software controlled on-chip pull-up on D+
- Endpoints:
 - Two control (1 IN, 1 OUT)
 - 14 bulk/interrupt (7 IN, 7 OUT)
 - Two isochronous (1 IN, 1 OUT)
- Double buffering for isochronous (ISO) endpoints (IN/OUT) support
- USB suspend, resume, and remote wake-up support
- 64 bytes buffer size for each bulk/interrupt endpoint
- Up to 1023 bytes buffer size for ISO endpoints
- EasyDMA for all data transfers

6.33.1 USB device states

The behavior of a USB device can be modelled through a state diagram.

The *USB 2.0 Specification* (see *Chapter 9 USB Device Framework*) defines a number of states for a USB device, as shown in the following figure.

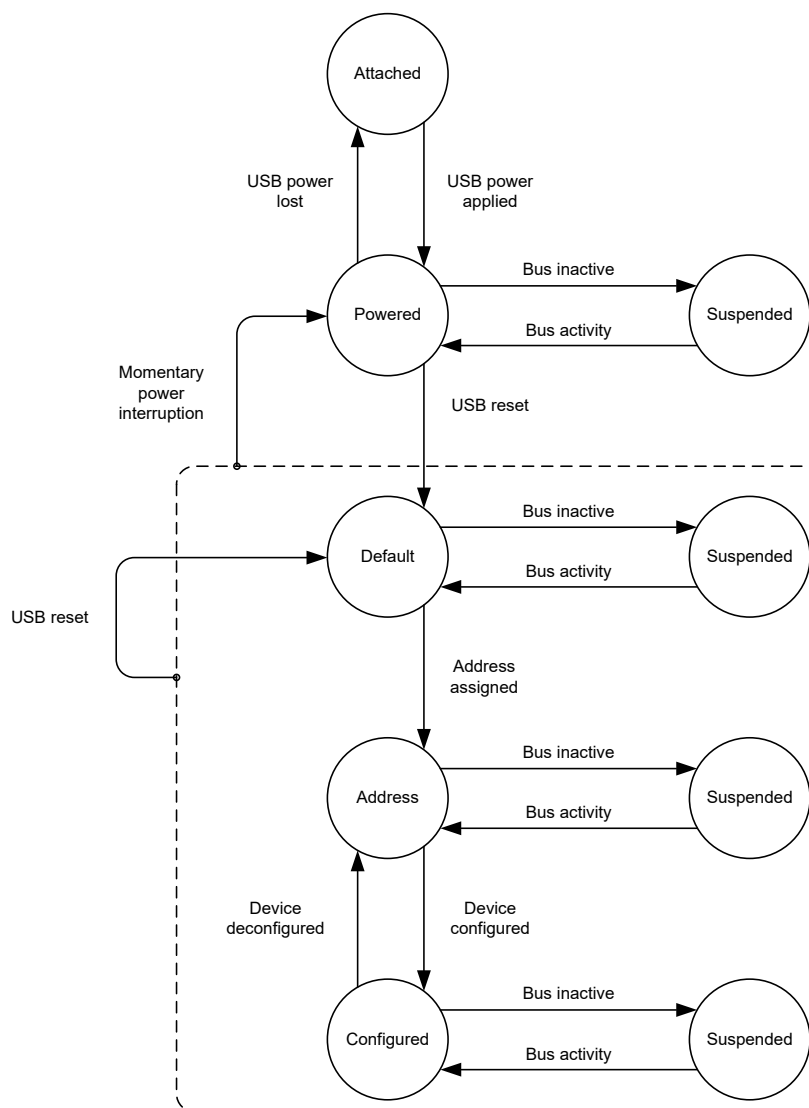


Figure 183: Device state diagram

The device must change state according to host-initiated traffic and USB bus states. It is up to the software to implement a state machine that matches the above definition. To detect the presence or absence of USB supply (VBUS), two events USBDETECTED and USBREMOVED can be used to implement the state machine. For more details on these events, see [USB supply](#) on page 66.

As a general rule when implementing the software, the host behavior shall never be assumed to be predictable. In particular the sequence of commands received during an enumeration. The software shall always react to the current bus conditions or commands sent by the host.

6.33.2 USB terminology

The USB specification defines bus states, rather than logic levels on the D+ and D- lines.

For a full speed device, the bus state where the D+ line is high and the D- line is low is defined as the J state. The bus state where D+ is low and D- high is called the K state.

An idle bus, where D+ and D- lines are only polarized through the pull-up on D+ and pull-downs on the host side, will be in J state.

Both lines low are called SE0 (single-ended 0), and both lines high SE1 (single-ended 1).

6.33.3 USB pins

The USBD peripheral features a number of dedicated pins.

The dedicated USB pins can be grouped in two categories, signal and power. The signal pins consist of the D+ and D- pins, which are to be connected to the USB host. They are dedicated pins, and not available as standard GPIOs. The USBD peripheral is implemented according to the USB specification revision 2.0, *5V Short Circuit Withstand ECN Requirement Change*, meaning these two pins are not 5 V tolerant.

The signal pins and the pull-up will operate only while VBUS is in its valid voltage range, and USBD is enabled through the **ENABLE** register. For details on the USB power supply and VBUS detection, see [USB supply](#) on page 66.

For more information about the pinout, see [Pin assignments](#) on page 560.

6.33.4 USBD power-up sequence

The physical layer interface (PHY)/USB transceiver is powered separately from the rest of the device (VBUS pin), which has some implications on the USBD power-up sequence.

The device is not able to properly signal its presence to the USB host and handle traffic from the host, unless the PHY's power supply is enabled and stable. Turning the PHY's power supply on/off is directly linked to register **ENABLE**. The device provides events that help synchronizing software to the various steps during the power-up sequence.

To make sure that all resources in USBD are available and the dedicated USB voltage regulator stabilized, the following is recommended:

- Enable USBD only after VBUS has been detected
- Turn the USB pull-up on after the following events have occurred:
 - USBPWRRDY
 - USBEVENT, with the READY condition flagged in **EVENTCAUSE**

The following sequence chart illustrates a typical handling of VBUS power-up:

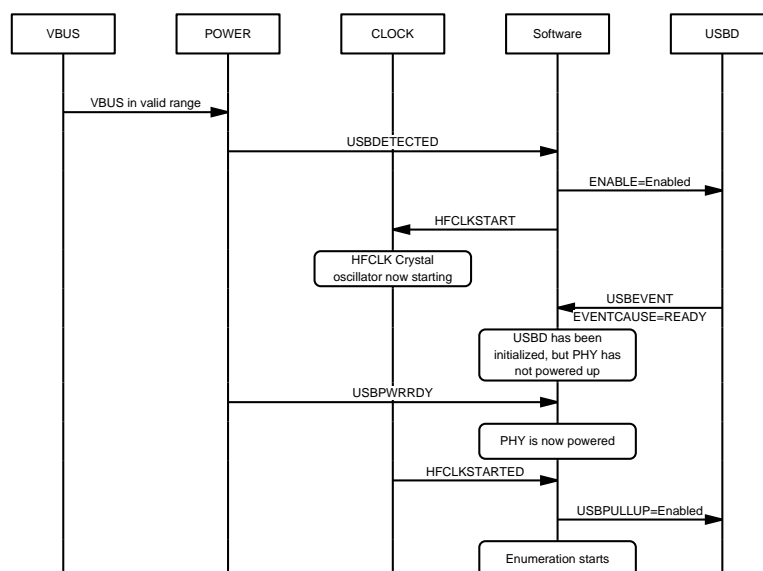


Figure 184: VBUS power-up sequence

Upon detecting VBUS removal, it is recommended to wait for ongoing EasyDMA transfers to finish before disabling USBD (relevant ENDEPIN[n], ENDISOIN, ENDEPOUT[n], or ENDISOOUT events, see [EasyDMA](#) on page 521). The USBREMOVED event, described in [USB supply](#) on page 66, signals when the VBUS is removed. Reading the **ENABLE** register will return Enabled until USBD is completely disabled.

6.33.5 USB pull-up

The USB pull-up serves two purposes: it indicates to the host that the device is connected to the USB bus, and it indicates the device's speed capability.

When no pull-up is connected to the USB bus, the host sees both D+ and D- lines low, as they are pulled down on the host side by 15 k Ω resistors. The device is not detected by the host, putting it in a detached state even if it is physically connected to the host. In this situation, the device is not allowed to draw current from VBUS, according to *USB 2.0 Specification*.

When a full-speed device connects its 1.5 k Ω pull-up to D+, the host sees the corresponding line high. The device is then in the attached state. During the enumeration process, the host attempts to determine if the full-speed device also supports higher speeds and initiates communication with the device to further identify it. The USB peripheral implemented in this device supports only full-speed operation (12 Mbps), and thus ignores the negotiation for higher speeds in accordance with *USB 2.0 Specification*.

Register **USBPULLUP** enables software to connect or disconnect the pull-up on D+. This allows the software to control when USB enumeration takes place. It also allows to emulate a physical disconnect from the USB bus, for instance when re-enumeration is required. **USBPULLUP** has to be enabled to allow the USB peripheral to handle USB traffic and generate appropriate events. This forbids the use of an external pull-up.

Note that disconnecting the pull-up through register **USBPULLUP** while connected to a host, will result in both D+ and D- lines to be pulled low by the host's pull-down resistors. However, as mentioned above, this will also inhibit the generation of the USBRESET event. The pull-up is disabled by default after a chip reset.

The pull-up shall only get connected after USB peripheral has been enabled through register **ENABLE**. The USB pull-up value is automatically changed depending on the bus activity, as specified in *Resistor ECN* which amends the original *USB 2.0 Specification*. The user does not have access to this function as it is handled in hardware.

While they should never be used in normal traffic activity, lines D+ and D- may at any time be forced into state specified in register **DPDMVALUE** by the task DPDMDRIVE. The DPDMNODRIVE task stops driving them, and PHY returns to normal operation.

6.33.6 USB reset

The USB specification defines a USB reset, which is not be confused with a chip reset. The USB reset is a normal USB bus condition, and is used as part of the enumeration sequence, it does not reset the chip.

The USB reset results from a single-ended low state (SEO) on lines D+/D- for a $t_{\text{USB,DETRST}}$ amount of time. Only the host is allowed to drive a USB reset condition on the bus. The USB peripheral automatically interprets a SEO longer than $t_{\text{USB,DETRST}}$ as a USB reset. When the device detects a USB reset and generates a USBRESET event, the device USB stack and related parts of the application shall re-initialize themselves, and go back to the default state.

Some of the registers in the USB peripheral get automatically reset to a known state, in particular all data endpoints are disabled and the **USBADDR** reset to 0.

After the device has connected to the USB bus (i.e. after VBUS is applied), the device shall not respond to any traffic from the time the pull-up is enabled until it has seen a USB reset condition. This is automatically ensured by the USB peripheral.

After a USB reset, the device shall be fully responsive after at most T_{RSTRCY} (according to chapter 7 in the USB specification). Software shall take into account this time that takes the hardware to recover from a USB reset condition.

6.33.7 USB suspend and resume

Normally, the host will maintain activity on the USB at least every millisecond according to USB specification. A USB device will enter suspend when there is no activity on the bus (idle) for a given time. The device will resume operation when it receives any non idle signalling.

To signal that the device shall go into low power mode (suspend), the host stops activity on the USB bus, which becomes idle. Only the device pull-up and host pull-downs act on D+ and D-, and the bus is thus kept at a constant J state. It is up to the device to detect this lack of activity, and enter the low power mode (suspend) within a specified time.

The USB host can decide to suspend or resume USB activity at any time. If remote wake-up is enabled, the device may signal to the host to resume from suspend.

6.33.7.1 Entering suspend

The USB peripheral automatically detects lack of activity for more than a defined amount of time, and performs steps needed to enter suspend.

When no activity has been detected for longer than $t_{\text{USB,SUSPEND}}$, the USB peripheral generates the USBEVENT event with SUSPEND bit set in register `EVENTCAUSE`. The software shall ensure that the current drawn from the USB supply line VBUS is within the specified limits before $T_{2\text{SUSP}}$, as defined in chapter 7 of the USB specification. In order to reduce idle current of USB peripheral, the software must explicitly place the USB peripheral in low power mode through writing `LowPower` to register `LOWPOWER`.

In order to save power, and provided that no other peripheral needs it, the crystal oscillator (HFXO) in `CLOCK` may be disabled by software during the USB suspend, while the USB pull-up is disconnected, or when VBUS is not present. Software must explicitly enable it at any other time. The USB peripheral will not be able to respond to USB traffic unless HFXO is enabled and stable.

6.33.7.2 Host-initiated resume

Once the host resumes the bus activity, it has to be responsive to incoming requests on the USB bus within the time T_{RSMRCY} (as defined in chapter 7 of the USB specification) and revert to normal power consumption mode.

If the host resumes bus activity with or without a RESUME condition (in other words: bus activity is defined as any non-J state), the USB peripheral will generate a USBEVENT event, with RESUME bit set in register `EVENTCAUSE`. If the host resumes bus activity simply by restarting sending frames, the USB peripheral will generate SOF events.

6.33.7.3 Device-initiated remote wake-up

Assuming the remote wake-up is supported by the device and enabled by the host, the device can request the host to resume from suspend if wake-up condition is met.

To do so, the HFXO needs to be enabled first. After waking up the HFXO, the software must bring USB peripheral out of the low power mode and into the normal power consumption mode through writing `ForceNormal` in register `LOWPOWER`. It can then instruct the USB peripheral to drive a RESUME condition (K state) on the USB bus by triggering the `DPDMDRIVE` task, and hence attempt to wake up the host. By choosing `Resume` in `DPDMVALUE`, the duration of the RESUME state is under hardware control ($t_{\text{USB,DRIVEK}}$). By choosing `J` or `K`, the duration of that state is under software control (the J or K state is maintained until a `DPDMNODRIVE` task is triggered) and has to meet T_{DRSMUP} as specified in USB specification chapter 7.

Upon writing the `ForceNormal` in register `LOWPOWER`, a USBEVENT event is generated with the `USBWUALLOWED` bit set in register `EVENTCAUSE`.

The value in register `DPDMVALUE` on page 549 will only be captured and used when the `DPDMDRIVE` task is triggered. This value defines the state the bus will be forced into after the `DPDMDRIVE` task.

The device shall ensure that it does not initiate a remote wake-up request before T_{WTRSM} (according to USB specification chapter 7) after the bus has entered idle state. Using the recommended resume value in [DPDMVALUE](#) (rather than K) takes care of this, and postpones the RESUME state accordingly.

6.33.8 EasyDMA

The USBD peripheral implements EasyDMA for accessing memory without CPU involvement.

Each endpoint has an associated set of registers, tasks and events. EasyDMA and traffic on USB are tightly related. A number of events provide insight of what is happening on the USB bus with a number of tasks allowing an automated response to the traffic.

Note: Endpoint 0 (IN and OUT) are implemented as control endpoint. For more information, see [Control transfers](#) on page 522.

Registers

Enabling endpoints is controlled through the [EPINEN](#) and [EPOUTEN](#) registers.

The following registers define the memory address of the buffer for a specific IN or OUT endpoint:

- [EPIN\[n\].PTR](#), (n=0..7)
- [EPOUT\[n\].PTR](#), (n=0..7)
- [ISOIN.PTR](#)
- [ISOOUT.PTR](#)

The following registers define the amount of bytes to be sent on USB for next transaction:

- [EPIN\[n\].MAXCNT](#), (n=0..7)
- [ISOIN.MAXCNT](#)

The following registers define the length of the buffer (in bytes) for next transfer of incoming data:

- [EPOUT\[n\].MAXCNT](#), (n=1..7)
- [ISOOUT.MAXCNT](#)

Since the host decides how many bytes are sent over USB, the MAXCNT value can be copied from register [SIZE.EPOUT\[n\]](#) (n=1..7) or register [SIZE.ISOOUT](#).

Register [EPOUT\[0\].MAXCNT](#) defines the length of the OUT buffer (in bytes) for the control endpoint 0.

Register [SIZE.EPOUT\[0\]](#) shall indicate the same value as `MaxPacketSize` from the device descriptor or `wLength` from the SETUP command, whichever is the least.

The [.AMOUNT](#) registers indicate how many bytes actually have been transferred over EasyDMA during the last transfer.

Stalling bulk/interrupt endpoints is controlled through the [EPSTALL](#) register.

Note: Due to USB specification requirements, the effect of the stalling control endpoint 0 may be overridden by hardware, in particular when a new SETUP token is received.

EasyDMA will not copy the SETUP data to memory (it will only transfer data from the data stage). The following are separate registers in the USBD peripheral that have setup data.

- [BMREQUESTTYPE](#)
- [BREQUEST](#)
- [WVALUEL](#)
- [WVALUEH](#)
- [WINDEXL](#)
- [WINDEXH](#)

- [WLENGTHL](#)
- [WLENGTHH](#)

The [EVENTCAUSE](#) register provides details on what caused a given USBEVENT event, for instance if a CRC error is detected during a transaction, or if bus activity stops or resumes.

Tasks

Tasks [STARTEPIN\[n\]](#), [STARTEPOUT\[n\]](#) (n=0..7), [STARTISOIN](#), and [STARTISOOUT](#) capture the values for [.PTR](#) and [.MAXCNT](#) registers. For IN endpoints, a transaction over USB gets automatically triggered when the EasyDMA transfer is complete. For OUT endpoints, it is up to software to allow the next transaction over USB. See the examples in [Control transfers](#) on page 522, [Bulk and interrupt transactions](#) on page 525, and [Isochronous transactions](#) on page 527.

For the control endpoint 0, OUT transactions are allowed through the [EPORCVOUT](#) task. The [EPOSTATUS](#) task allows a status stage to be initiated, and the [EPOSTALL](#) task allows stalling further traffic (data or status stage) on the control endpoint.

Events

The [STARTED](#) event confirms that the values of the [.PTR](#) and [.MAXCNT](#) registers of the endpoints flagged in register [EPSTATUS](#) have been captured. Those can then be modified by software for the next transfer.

Events [ENDEPIN\[n\]](#), [ENDEPOUT\[n\]](#) (n=0..7), [ENDISOIN](#), and [ENDISOOUT](#) events indicate that the entire buffer has been consumed. The buffer can be accessed safely by the software.

Only a single EasyDMA transfer can take place in USB at any time. Software must ensure that tasks [STARTEPIN\[n\]](#) (n=0..7), [STARTISOIN](#), [STARTEPOUT\[n\]](#) (n=0..7), or [STARTISOOUT](#) are not triggered before events [ENDEPIN\[n\]](#) (n=0..7), [ENDISOIN](#), [ENDEPOUT\[n\]](#) (n=0..7), or [ENDISOOUT](#) are received from an on-going transfer.

The [EPDATA](#) event indicates that a successful (acknowledged) data transaction has occurred on the data endpoint(s) flagged in register [EPDATASTATUS](#). A successful (acknowledged) data transaction on endpoint 0 is signalled by the [EPODATADONE](#) event.

At any time a [USBEVENT](#) event may be sent, with details provided in [EVENTCAUSE](#) register.

The [EPOSETUP](#) event indicates that a SETUP token has been received on the control endpoint 0, and that the setup data is available in the [setup data registers](#).

6.33.9 Control transfers

The USB specification mandates every USB device to implement endpoint 0 IN and OUT as control endpoints.

A control transfer consists of two or three stages:

- Setup stage
- Data stage (optional)
- Status stage

Each control transfer can be one of following types:

- Control read
- Control read no data
- Control write
- Control write no data

An [EPOSETUP](#) event indicates that the data in the setup stage (following the SETUP token) is available in [registers](#).

The data in the data stage (following the IN or OUT token) is transferred from or to the desired location using EasyDMA.

The control endpoint buffer can be of any size.

After receiving the SETUP token, the USB controller will not accept (NAK) any incoming IN or OUT tokens until the software has finished decoding the command, determined the type of transfer, and prepared for the next stage (data or status) appropriately.

The software can stall a command when in the data and status stages, through the EPOSTALL task, when the command is not supported or if its wValue, wIndex or wLength parameters are wrong. The following shows a stalled control read transfer, but the same mechanism (tasks) applies to stalling a control write transfer.

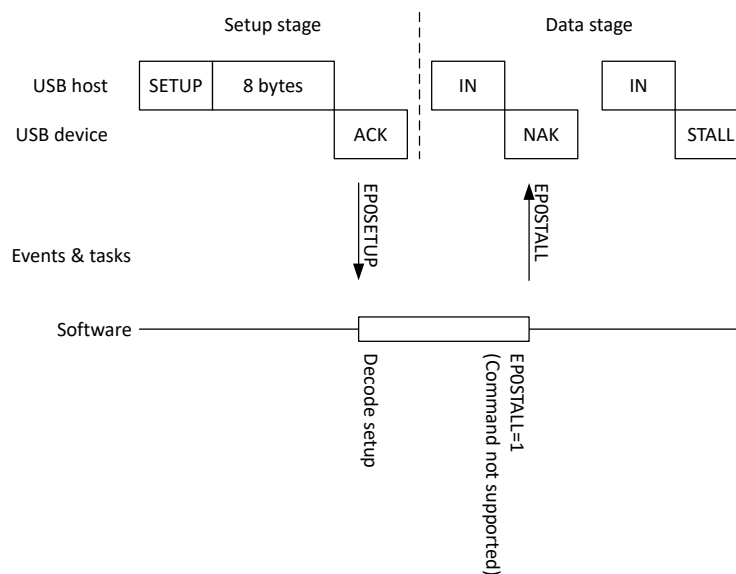


Figure 185: Control read gets stalled

See the *USB 2.0 Specification* and relevant class specifications for rules on stalling commands.

Note: The USB peripheral handles the SetAddress transfer by itself. As a consequence, the software shall not process this command other than updating its state machine (see [Device state diagram](#)), nor initiate a status stage. If necessary, the address assigned by the host can be read out from the USBADDR register after the command has been processed.

6.33.9.1 Control read transfer

This section describes how the software behaves when responding to a control read transfer.

As mentioned earlier, the USB controller will not accept (NAK) any incoming IN tokens until software has finished decoding the command, determining the type of transfer, and preparing for the next stage (data or status) appropriately.

For a control read, transferring the data from memory into USB will trigger a valid, acknowledged (ACK) IN transaction on USB.

The software has to prepare EasyDMA by pointing to the buffer containing the data to be transferred. If no other EasyDMA transfers are on-going with USB, the software can send the STARTEPINO task, which will initiate the data transfer and transaction on USB.

A STARTED event (with EPINO bit set in the EPSTATUS register) will be generated as soon as the EPIN[0].PTR and .MAXCNT registers have been captured. Software may then prepare them for the next data transaction.

An ENDEPIN[0] event will be generated when the data has been transferred from memory to the USB peripheral.

Finally, an EPODATADONE event will be generated when the data has been transmitted over USB and acknowledged by the host.

The software can then either prepare and transmit the next data transaction by repeating the above sequence, or initiate the status stage through the EPOSTATUS task.

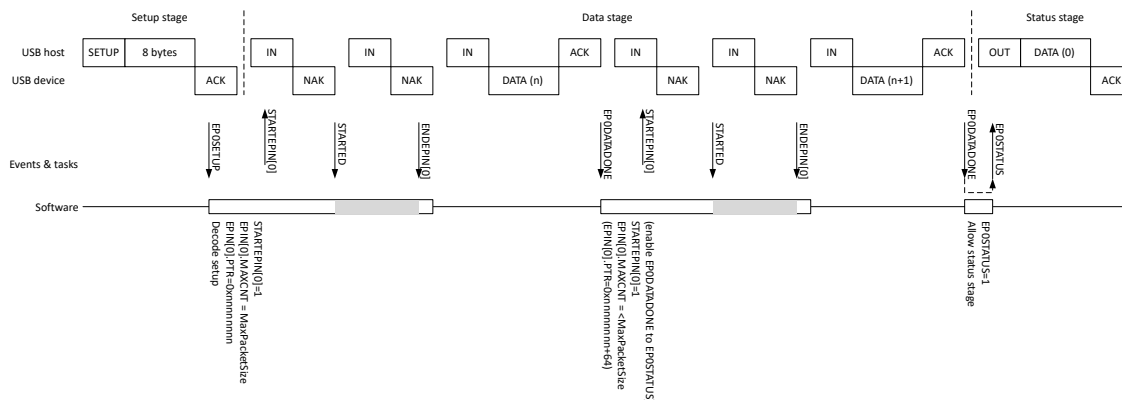


Figure 186: Control read transfer

It is possible to enable a shortcut from the EPODATADONE event to the EPOSTATUS task, typically if the data stage is expected to take a single transfer. If there is no data stage, the software can initiate the status stage through the EPOSTATUS task right away, as shown in the following figure.

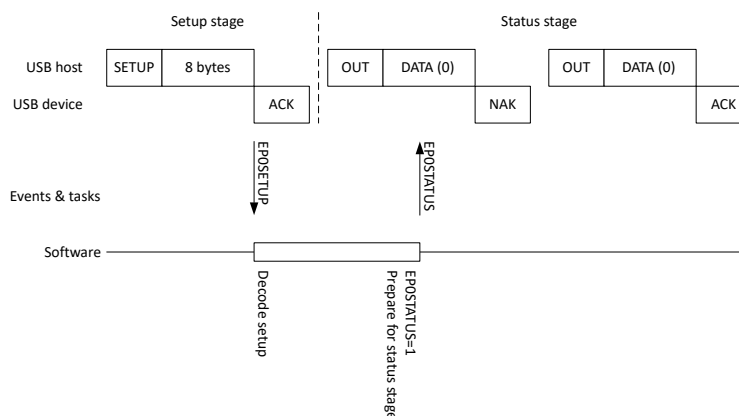


Figure 187: Control read no data transfer

6.33.9.2 Control write transfer

This section describes how the software responds to a control write transfer.

The software has to prepare EasyDMA by pointing to the buffer in memory that shall contain the incoming data. If no other EasyDMA transfers are ongoing with USB, the software can then send the EPORCVOUT task, which will make USB acknowledge (ACK) the first OUT+DATA transaction from the host.

An EPODATADONE event will be generated when a new OUT+DATA has been transmitted over USB, and is about to get acknowledged by the device.

After receiving the first transaction, a STARTED event (the EPOUT0 bit set in the EPSTATUS register) is generated when the EPOUT[0].PTR and .MAXCNT registers have been captured. Software may then prepare them for the next data transaction.

An ENDEPOUT[0] event will be generated when the data has been transferred from the USB peripheral to memory. The software can then either prepare to receive the next data transaction by repeating the above sequence, or initiate the status stage through the EPOSTATUS task. Until then, further incoming OUT +DATA transactions get a NAK response by the device.

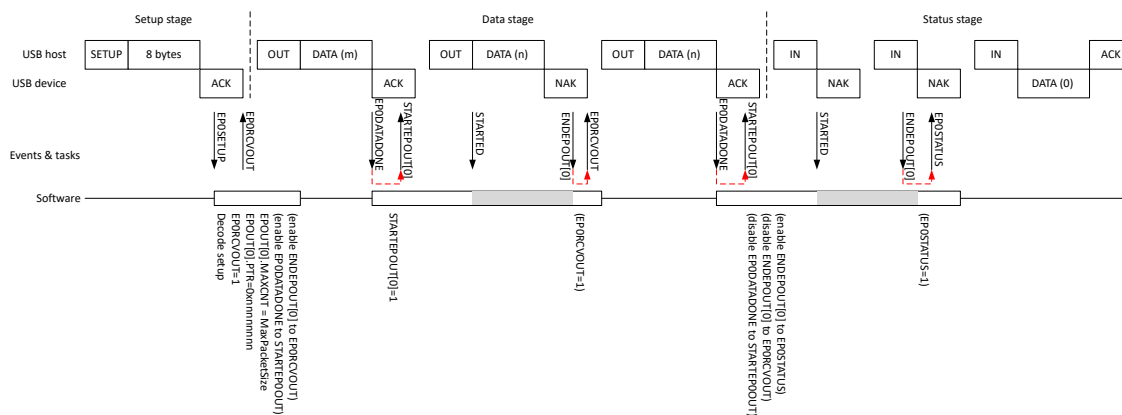


Figure 188: Control write transfer

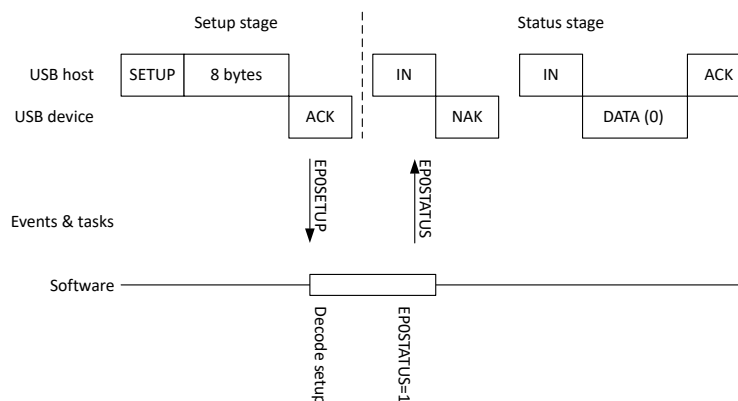


Figure 189: Control write no data transfer

6.33.10 Bulk and interrupt transactions

The USB peripheral implements seven pairs of bulk/interrupt endpoints.

The bulk/interrupt endpoints have a fixed USB endpoint number, summarized in the following table.

Bulk endpoint #	USB IN endpoint	USB OUT endpoint
[1]	0x81	0x01
[2]	0x82	0x02
[3]	0x83	0x03
[4]	0x84	0x04
[5]	0x85	0x05
[6]	0x86	0x06
[7]	0x87	0x07

Table 134: Bulk/interrupt endpoint numbering

A bulk/interrupt transaction consists of a single data stage. Two consecutive, successful transactions are distinguished through alternating leading process ID (PID): DATA0 follows DATA1, DATA1 follows DATA0, etc. A repeated transaction is detected by re-using the same PID as previous transaction, i.e. DATA0 follows DATA0, or DATA1 follows DATA1.

The USB controller automatically toggles DATA0/DATA1 PIDs for every bulk/interrupt transaction.

If incoming data is corrupted (CRC does not match), the USB controller automatically prevents DATA0/DATA1 from toggling, to request the host to resend the data.

In some specific cases, the software may want to force a data toggle (usually reset) on a specific IN endpoint, or force the expected toggle on an OUT endpoint, for instance as a consequence of the host issuing **ClearFeature**, **SetInterface**, or selecting an alternate setting. Controlling the data toggle of data IN or OUT endpoint n ($n=1..7$) is done through register **DTOGGLE**.

The bulk/interrupt transaction in USB full-speed can be of any size up to 64 bytes. It must be a multiple of four bytes and 32-bit aligned in memory.

When the USB transaction has completed, an EPDATA event is generated. Until new data has been transferred by EasyDMA from memory to the USB peripheral (signalled by the ENDEPIN[n] event), the hardware will automatically respond with NAK to all incoming IN tokens. Software has to configure and start the EasyDMA transfer once it is ready to send more data.

Each IN or OUT data endpoint has to be explicitly enabled by software through register **EPINEN** or **EPOUTEN**, according to the configuration declared by the device and selected by the host through the **SetConfig** command.

A disabled data endpoint will not respond to any traffic from the host. An enabled data endpoint will normally respond NAK or ACK (depending on the readiness of the buffers), or STALL (if configured in register **EPSTALL**), in which case the endpoint is asked to halt. The halted (or not) state of a given endpoint can be read back from register HALTED.EPIN[n] or HALTED.EPOUT[n]. The format of the returned 16-bit value can be copied as is, as a response to a **GetStatusEndpoint** request from the host.

Enabling or disabling an endpoint will not change its halted state. However, a USB reset will disable and clear the halted state of all data endpoints.

The control endpoint 0 IN and OUT can also be enabled and/or halted using the same mechanisms, but due to USB specification, receiving a SETUP will override its state.

6.33.10.1 Bulk and interrupt IN transaction

The host issues IN tokens to receive bulk/interrupt data. In order to send data, the software has to enable the endpoint and prepare an EasyDMA transfer on the desired endpoint.

Bulk/interrupt IN endpoints are enabled or disabled through their respective IN n bit ($n=1..7$) in **EPINEN** register.

It is also possible to stall or resume communication on an endpoint through the **EPSTALL** register.

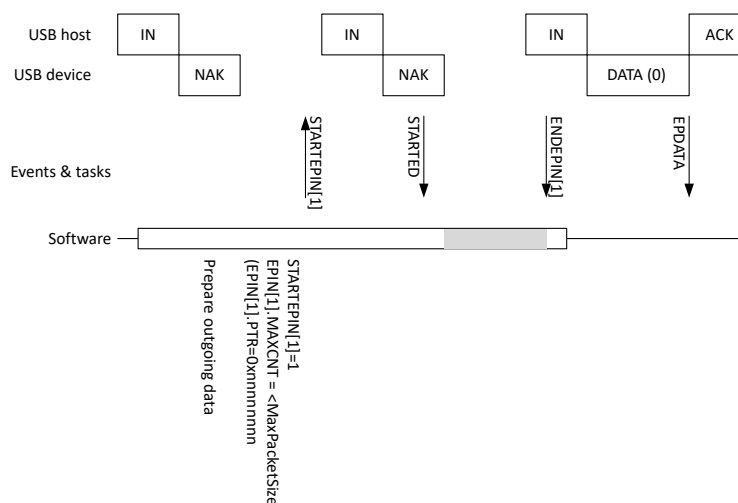


Figure 190: Bulk/interrupt IN transaction

It is possible (and in some situations it is required) to respond to an IN token with a zero-length data packet.

Note: On many USB hosts, not responding (DATA+ACK or NAK) to three IN tokens on an interrupt endpoint would have the host disable that endpoint as a consequence. Re-enumerating the device (unplug-replug) may be required to restore functionality. Make sure that the relevant data endpoints are enabled for normal operation as soon as the device gets configured through a **SetConfig** request.

6.33.10.2 Bulk and interrupt OUT transaction

When the host wants to transmit bulk/interrupt data, it issues an OUT token (packet) followed by a DATA packet on a given endpoint n ($n=1..7$).

A NAK is returned until the software writes any value to register `SIZE.EPOUT[n]`, indicating that the content of the local buffer can be overwritten. Upon receiving the next OUT+DATA transaction, an ACK is returned to the host while an `EPDATA` event is generated (and the `EPDATASTATUS` register flags are set to indicate on which endpoint this happened). Once the EasyDMA is prepared and enabled, by writing the `EPOUT[n]` registers and triggering the `STARTEPOUT[n]` task, the incoming data will be transferred to memory. Until that transfer is finished, the hardware will automatically NAK any other incoming OUT+DATA packets. Only when the EasyDMA transfer is done (signalled by the `ENDEPOUT[n]` event), or as soon as any values are written by the software in register `SIZE.EPOUT[n]`, the endpoint n will accept incoming OUT+DATA again.

It is allowed for the host to send zero-length data packets.

Bulk/interrupt OUT endpoints are enabled or disabled through their respective `OUTn` bit ($n=1..7$) in the `EPOUTEN` register. It is also possible to stall or resume communication on an endpoint through the `EPSTALL` register.

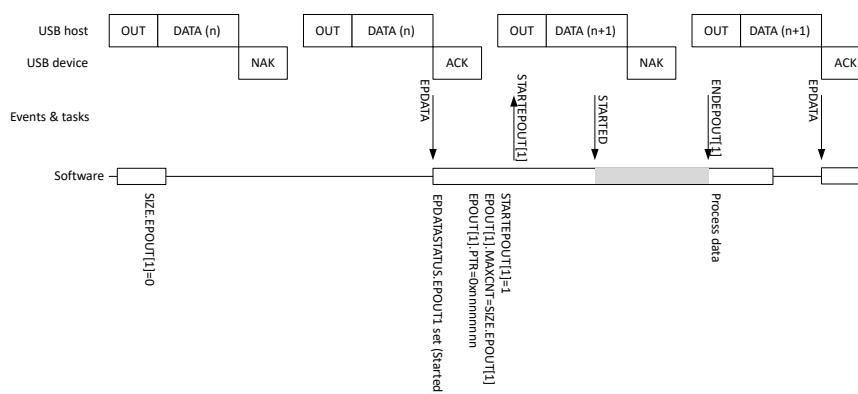


Figure 191: Bulk/interrupt OUT transaction

6.33.11 Isochronous transactions

The USB peripheral implements isochronous (ISO) endpoints.

The ISO endpoints have a fixed USB endpoint number, summarized in the following table.

ISO endpoint #	USB IN endpoint	USB OUT endpoint
[0]	0x88	0x08

Table 135: Isochronous endpoint numbering

An isochronous transaction consists of a single, non-acknowledged data stage. The host sends out a start of frame at a regular interval (1 ms), and data follows IN or OUT tokens within each frame.

EasyDMA allows transferring ISO data directly from and to memory. EasyDMA transfers must be initiated by the software, which can synchronize with the SOF (start of frame) events.

Because the timing of the start of frame is very accurate, the SOF event can be used for jobs such as synchronizing a local timer through the SOF event and PPI. The SOF event gets synchronized to the 16 MHz clock prior to being made available to the PPI.

Every start of frame increments a free-running counter, which can be read by software through the `FRAMECNTR` register.

Each IN or OUT ISO data endpoint has to be explicitly enabled by software through register `EPINEN` or `EPOUTEN`, according to the configuration declared by the device and selected by the host through the `SetConfig` command. A disabled ISO IN data endpoint will not respond to any traffic from the host. A disabled ISO OUT data endpoint will ignore any incoming traffic from the host.

The USB peripheral has an internal 1 kB buffer associated with ISO endpoints. The user can either allocate the full amount to the IN or the OUT endpoint, or split the buffer allocation between the two using register `ISOSPLIT`.

The internal buffer also sets the maximum size of the ISO OUT and ISO IN transfers: 1023 bytes when the full buffer is dedicated to either ISO OUT or ISO IN, and half when the buffer is split between the two.

6.33.11.1 Isochronous IN transaction

When the host wants to receive isochronous (ISO) data, it issues an IN token on the isochronous endpoint.

After the data has been transferred using the EasyDMA, the USB controller on the isochronous IN endpoint responds to the IN token with the transferred data using the `ISOIN.MAXCNT` for the size of the packet.

The ISO IN data endpoint has to be explicitly enabled by software through the `ISOIN0` bit in register `EPINEN`.

When an ISO IN endpoint is enabled and no data transferred with EasyDMA, the response of the USB peripheral depends on the setting of the `RESPONSE` field in register `ISOINCONFIG`. It can either provide no response to an IN token or respond with a zero-length data.

If the EasyDMA transfer on the isochronous endpoint is not completed before the next SOF event, the result of the transfer is undefined.

The maximum size of an ISO IN transfer in USB full-speed is 1023 bytes. The data buffer has to be a multiple of 4 bytes 32-bit aligned in memory. However, the amount of bytes transferred on the USB data endpoint can be of any size (up to 1023 bytes, if not shared with an OUT ISO endpoint).

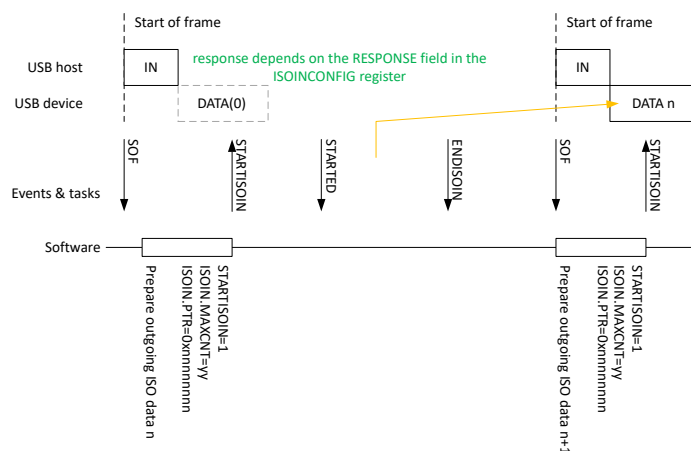


Figure 192: Isochronous IN transfer

6.33.11.2 Isochronous OUT transaction

When the host wants to send isochronous (ISO) data, it issues an OUT token on the isochronous endpoint, followed by data.

The ISO OUT data endpoint has to be explicitly enabled by software through the ISOOUT0 bit in register **EPOUTEN**.

The amount of last received ISO OUT data is provided in the **SIZE.ISOOUT** register. Software shall interpret the ZERO and SIZE fields as presented in the following table.

ZERO	SIZE	Last received data size
Normal	0	No data received at all
Normal	1..1023	1..1023 bytes of data received
ZeroData	(not of interest)	Zero-length data packet received

Table 136: ISO OUT incoming data size

When EasyDMA is prepared and started, triggering a STARTISOOUT task initiates an EasyDMA transfer to memory. Software shall synchronize ISO OUT transfers with the SOF events. EasyDMA uses the address in **ISOOUT.PTR** and size in **ISOOUT.MAXCNT** for every new transfer.

If the EasyDMA transfer on the isochronous endpoint is not completed before the next SOF event, the result of the transfer is undefined.

The maximum size of an isochronous OUT transfer in USB full-speed is 1023 bytes. The data buffer has to be a multiple of 4 bytes and 32-bit aligned in Data RAM. However, the amount of bytes transferred on the USB data endpoint can be of any size (up to 1023 bytes if not shared with an IN ISO endpoint).

If the last received ISO data packet is corrupted (wrong CRC), the USB controller generates an USBEVENT event (at the same time as SOF) and indicates a CRC error on ISOOUTCRC in register **EVENTCAUSE**. EasyDMA will transfer the data anyway if it has been set up properly.

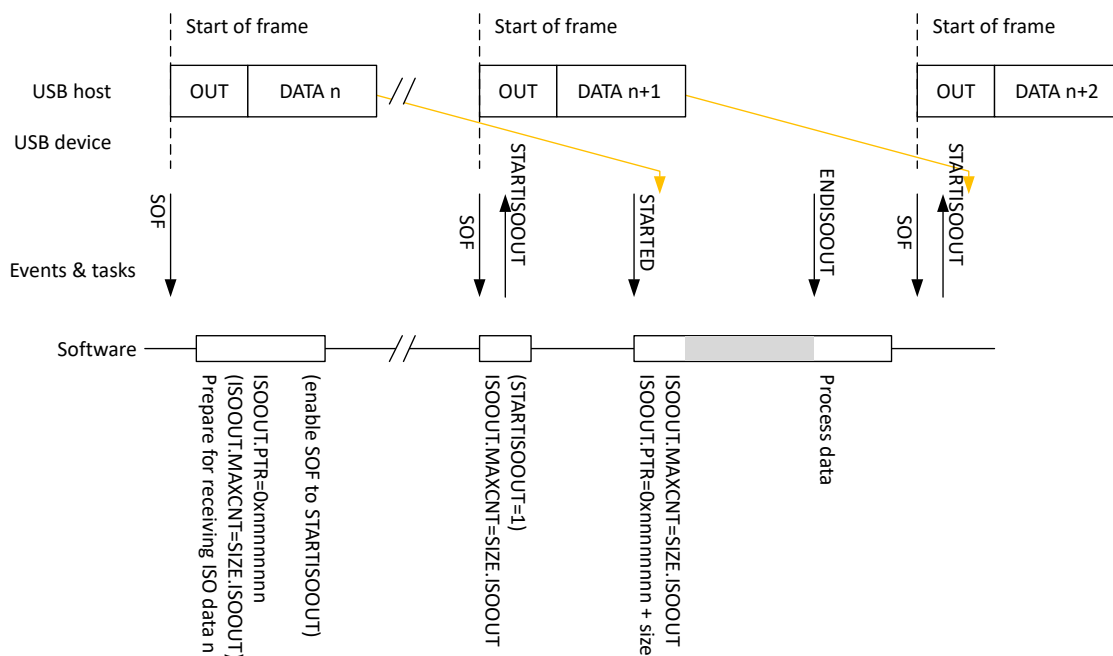


Figure 193: Isochronous OUT transfer

6.33.12 USB register access limitations

Some of the registers in USBD cannot be accessed in specific conditions.

This may be the case when USBD is not enabled (using the **ENABLE** register) and ready (signalled by the **READY** bit in **EVENTCAUSE** after a **USBEVENT** event), or when USBD is in low power mode while the USB bus is suspended.

Triggering any tasks, including the tasks triggered through the PPI, is affected by this behavior. In addition, the following registers are affected:

- HALTED.EPIN[0..7]
- HALTED.EPOUT[0..7]
- USBADDR
- BMREQUESTTYPE
- BREQUEST
- WVALUEL
- WVALUEH
- WINDEXL
- WINDEXH
- WLENGTHL
- WLENGTHH
- SIZE.EPOUT[0..7]
- SIZE.ISOOUT
- USBPULLUP
- DTOGGLE
- EPINEN
- EPOUTEN
- EPSTALL
- ISOSPLIT
- FRAMECNTR

6.33.13 Registers

Base address	Peripheral	Instance	Description	Configuration
0x40027000	USB	USB	Universal serial bus device	

Table 137: Instances

Register	Offset	Description
TASKS_STARTEPIN[0]	0x004	Captures the EPIN[0].PTR and EPIN[0].MAXCNT registers values, and enables endpoint IN 0 to respond to traffic from host
TASKS_STARTEPIN[1]	0x008	Captures the EPIN[1].PTR and EPIN[1].MAXCNT registers values, and enables endpoint IN 1 to respond to traffic from host
TASKS_STARTEPIN[2]	0x00C	Captures the EPIN[2].PTR and EPIN[2].MAXCNT registers values, and enables endpoint IN 2 to respond to traffic from host
TASKS_STARTEPIN[3]	0x010	Captures the EPIN[3].PTR and EPIN[3].MAXCNT registers values, and enables endpoint IN 3 to respond to traffic from host
TASKS_STARTEPIN[4]	0x014	Captures the EPIN[4].PTR and EPIN[4].MAXCNT registers values, and enables endpoint IN 4 to respond to traffic from host
TASKS_STARTEPIN[5]	0x018	Captures the EPIN[5].PTR and EPIN[5].MAXCNT registers values, and enables endpoint IN 5 to respond to traffic from host

Register	Offset	Description
TASKS_STARTEPIN[6]	0x01C	Captures the EPIN[6].PTR and EPIN[6].MAXCNT registers values, and enables endpoint IN 6 to respond to traffic from host
TASKS_STARTEPIN[7]	0x020	Captures the EPIN[7].PTR and EPIN[7].MAXCNT registers values, and enables endpoint IN 7 to respond to traffic from host
TASKS_STARTISOIN	0x024	Captures the ISOIN.PTR and ISOIN.MAXCNT registers values, and enables sending data on ISO endpoint
TASKS_STARTEPOUT[0]	0x028	Captures the EPOUT[0].PTR and EPOUT[0].MAXCNT registers values, and enables endpoint 0 to respond to traffic from host
TASKS_STARTEPOUT[1]	0x02C	Captures the EPOUT[1].PTR and EPOUT[1].MAXCNT registers values, and enables endpoint 1 to respond to traffic from host
TASKS_STARTEPOUT[2]	0x030	Captures the EPOUT[2].PTR and EPOUT[2].MAXCNT registers values, and enables endpoint 2 to respond to traffic from host
TASKS_STARTEPOUT[3]	0x034	Captures the EPOUT[3].PTR and EPOUT[3].MAXCNT registers values, and enables endpoint 3 to respond to traffic from host
TASKS_STARTEPOUT[4]	0x038	Captures the EPOUT[4].PTR and EPOUT[4].MAXCNT registers values, and enables endpoint 4 to respond to traffic from host
TASKS_STARTEPOUT[5]	0x03C	Captures the EPOUT[5].PTR and EPOUT[5].MAXCNT registers values, and enables endpoint 5 to respond to traffic from host
TASKS_STARTEPOUT[6]	0x040	Captures the EPOUT[6].PTR and EPOUT[6].MAXCNT registers values, and enables endpoint 6 to respond to traffic from host
TASKS_STARTEPOUT[7]	0x044	Captures the EPOUT[7].PTR and EPOUT[7].MAXCNT registers values, and enables endpoint 7 to respond to traffic from host
TASKS_STARTISOOUT	0x048	Captures the ISOOUT.PTR and ISOOUT.MAXCNT registers values, and enables receiving of data on ISO endpoint
TASKS_EPORCVOUT	0x04C	Allows OUT data stage on control endpoint 0
TASKS_EPOSTATUS	0x050	Allows status stage on control endpoint 0
TASKS_EPOSTALL	0x054	Stalls data and status stage on control endpoint 0
TASKS_DPDMDRIVE	0x058	Forces D+ and D- lines into the state defined in the DPDMVALUE register
TASKS_DPDMNODRIVE	0x05C	Stops forcing D+ and D- lines into any state (USB engine takes control)
EVENTS_USBRESET	0x100	Signals that a USB reset condition has been detected on USB lines
EVENTS_STARTED	0x104	Confirms that the EPIN[n].PTR and EPIN[n].MAXCNT, or EPOUT[n].PTR and EPOUT[n].MAXCNT registers have been captured on all endpoints reported in the EPSTATUS register
EVENTS_ENDEPIN[0]	0x108	The whole EPIN[0] buffer has been consumed. The buffer can be accessed safely by software.
EVENTS_ENDEPIN[1]	0x10C	The whole EPIN[1] buffer has been consumed. The buffer can be accessed safely by software.
EVENTS_ENDEPIN[2]	0x110	The whole EPIN[2] buffer has been consumed. The buffer can be accessed safely by software.
EVENTS_ENDEPIN[3]	0x114	The whole EPIN[3] buffer has been consumed. The buffer can be accessed safely by software.
EVENTS_ENDEPIN[4]	0x118	The whole EPIN[4] buffer has been consumed. The buffer can be accessed safely by software.
EVENTS_ENDEPIN[5]	0x11C	The whole EPIN[5] buffer has been consumed. The buffer can be accessed safely by software.
EVENTS_ENDEPIN[6]	0x120	The whole EPIN[6] buffer has been consumed. The buffer can be accessed safely by software.
EVENTS_ENDEPIN[7]	0x124	The whole EPIN[7] buffer has been consumed. The buffer can be accessed safely by software.
EVENTS_EPODATADONE	0x128	An acknowledged data transfer has taken place on the control endpoint
EVENTS_ENDISOIN	0x12C	The whole ISOIN buffer has been consumed. The buffer can be accessed safely by software.
EVENTS_ENDEPOUT[0]	0x130	The whole EPOUT[0] buffer has been consumed. The buffer can be accessed safely by software.
EVENTS_ENDEPOUT[1]	0x134	The whole EPOUT[1] buffer has been consumed. The buffer can be accessed safely by software.
EVENTS_ENDEPOUT[2]	0x138	The whole EPOUT[2] buffer has been consumed. The buffer can be accessed safely by software.
EVENTS_ENDEPOUT[3]	0x13C	The whole EPOUT[3] buffer has been consumed. The buffer can be accessed safely by software.
EVENTS_ENDEPOUT[4]	0x140	The whole EPOUT[4] buffer has been consumed. The buffer can be accessed safely by software.

Register	Offset	Description
EVENTS_ENDEPOUT[5]	0x144	The whole EPOUT[5] buffer has been consumed. The buffer can be accessed safely by software.
EVENTS_ENDEPOUT[6]	0x148	The whole EPOUT[6] buffer has been consumed. The buffer can be accessed safely by software.
EVENTS_ENDEPOUT[7]	0x14C	The whole EPOUT[7] buffer has been consumed. The buffer can be accessed safely by software.
EVENTS_ENDISOOUT	0x150	The whole ISOOUT buffer has been consumed. The buffer can be accessed safely by software.
EVENTS_SOF	0x154	Signals that a SOF (start of frame) condition has been detected on USB lines
EVENTS_USBEVENT	0x158	An event or an error not covered by specific events has occurred. Check EVENTCAUSE register to find the cause.
EVENTS_EPOSETUP	0x15C	A valid SETUP token has been received (and acknowledged) on the control endpoint
EVENTS_EPDATA	0x160	A data transfer has occurred on a data endpoint, indicated by the EPDATASTATUS register
SHORTS	0x200	Shortcuts between local events and tasks
INTEN	0x300	Enable or disable interrupt
INTENSET	0x304	Enable interrupt
INTENCLR	0x308	Disable interrupt
EVENTCAUSE	0x400	Details on what caused the USBEVENT event
HALTED.EPIN[0]	0x420	IN endpoint halted status. Can be used as is as response to a GetStatus() request to endpoint.
HALTED.EPIN[1]	0x424	IN endpoint halted status. Can be used as is as response to a GetStatus() request to endpoint.
HALTED.EPIN[2]	0x428	IN endpoint halted status. Can be used as is as response to a GetStatus() request to endpoint.
HALTED.EPIN[3]	0x42C	IN endpoint halted status. Can be used as is as response to a GetStatus() request to endpoint.
HALTED.EPIN[4]	0x430	IN endpoint halted status. Can be used as is as response to a GetStatus() request to endpoint.
HALTED.EPIN[5]	0x434	IN endpoint halted status. Can be used as is as response to a GetStatus() request to endpoint.
HALTED.EPIN[6]	0x438	IN endpoint halted status. Can be used as is as response to a GetStatus() request to endpoint.
HALTED.EPIN[7]	0x43C	IN endpoint halted status. Can be used as is as response to a GetStatus() request to endpoint.
HALTED.EPOUT[0]	0x444	OUT endpoint halted status. Can be used as is as response to a GetStatus() request to endpoint.
HALTED.EPOUT[1]	0x448	OUT endpoint halted status. Can be used as is as response to a GetStatus() request to endpoint.
HALTED.EPOUT[2]	0x44C	OUT endpoint halted status. Can be used as is as response to a GetStatus() request to endpoint.
HALTED.EPOUT[3]	0x450	OUT endpoint halted status. Can be used as is as response to a GetStatus() request to endpoint.
HALTED.EPOUT[4]	0x454	OUT endpoint halted status. Can be used as is as response to a GetStatus() request to endpoint.
HALTED.EPOUT[5]	0x458	OUT endpoint halted status. Can be used as is as response to a GetStatus() request to endpoint.
HALTED.EPOUT[6]	0x45C	OUT endpoint halted status. Can be used as is as response to a GetStatus() request to endpoint.
HALTED.EPOUT[7]	0x460	OUT endpoint halted status. Can be used as is as response to a GetStatus() request to endpoint.
EPSTATUS	0x468	Provides information on which endpoint's EasyDMA registers have been captured
EPDATASTATUS	0x46C	Provides information on which endpoint(s) an acknowledged data transfer has occurred (EPDATA event)
USBADDR	0x470	Device USB address
BMREQUESTTYPE	0x480	SETUP data, byte 0, bmRequestType
BREQUEST	0x484	SETUP data, byte 1, bRequest
WVALUEL	0x488	SETUP data, byte 2, LSB of wValue
WVALUEH	0x48C	SETUP data, byte 3, MSB of wValue
WINDEXL	0x490	SETUP data, byte 4, LSB of wIndex
WINDEXH	0x494	SETUP data, byte 5, MSB of wIndex
WLENGTHL	0x498	SETUP data, byte 6, LSB of wLength
WLENGTHH	0x49C	SETUP data, byte 7, MSB of wLength

Register	Offset	Description
SIZE.EPOUT[0]	0x4A0	Number of bytes received last in the data stage of this OUT endpoint
SIZE.EPOUT[1]	0x4A4	Number of bytes received last in the data stage of this OUT endpoint
SIZE.EPOUT[2]	0x4A8	Number of bytes received last in the data stage of this OUT endpoint
SIZE.EPOUT[3]	0x4AC	Number of bytes received last in the data stage of this OUT endpoint
SIZE.EPOUT[4]	0x4B0	Number of bytes received last in the data stage of this OUT endpoint
SIZE.EPOUT[5]	0x4B4	Number of bytes received last in the data stage of this OUT endpoint
SIZE.EPOUT[6]	0x4B8	Number of bytes received last in the data stage of this OUT endpoint
SIZE.EPOUT[7]	0x4BC	Number of bytes received last in the data stage of this OUT endpoint
SIZE.ISOOUT	0x4C0	Number of bytes received last on this ISO OUT data endpoint
ENABLE	0x500	Enable USB
USBPULLUP	0x504	Control of the USB pull-up
DPDMVALUE	0x508	State D+ and D- lines will be forced into by the DPDMDRIVE task. The DPDMNODRIVE task reverts the control of the lines to MAC IP (no forcing).
DTOGGLE	0x50C	Data toggle control and status
EPINEN	0x510	Endpoint IN enable
EPOUTEN	0x514	Endpoint OUT enable
EPSTALL	0x518	STALL endpoints
ISOSPLIT	0x51C	Controls the split of ISO buffers
FRAMECNTR	0x520	Returns the current value of the start of frame counter
LOWPOWER	0x52C	Controls USB peripheral low power mode during USB suspend
ISOINCONFIG	0x530	Controls the response of the ISO IN endpoint to an IN token when no data is ready to be sent
EPIN[0].PTR	0x600	Data pointer
EPIN[0].MAXCNT	0x604	Maximum number of bytes to transfer
EPIN[0].AMOUNT	0x608	Number of bytes transferred in the last transaction
EPIN[1].PTR	0x614	Data pointer
EPIN[1].MAXCNT	0x618	Maximum number of bytes to transfer
EPIN[1].AMOUNT	0x61C	Number of bytes transferred in the last transaction
EPIN[2].PTR	0x628	Data pointer
EPIN[2].MAXCNT	0x62C	Maximum number of bytes to transfer
EPIN[2].AMOUNT	0x630	Number of bytes transferred in the last transaction
EPIN[3].PTR	0x63C	Data pointer
EPIN[3].MAXCNT	0x640	Maximum number of bytes to transfer
EPIN[3].AMOUNT	0x644	Number of bytes transferred in the last transaction
EPIN[4].PTR	0x650	Data pointer
EPIN[4].MAXCNT	0x654	Maximum number of bytes to transfer
EPIN[4].AMOUNT	0x658	Number of bytes transferred in the last transaction
EPIN[5].PTR	0x664	Data pointer
EPIN[5].MAXCNT	0x668	Maximum number of bytes to transfer
EPIN[5].AMOUNT	0x66C	Number of bytes transferred in the last transaction
EPIN[6].PTR	0x678	Data pointer
EPIN[6].MAXCNT	0x67C	Maximum number of bytes to transfer
EPIN[6].AMOUNT	0x680	Number of bytes transferred in the last transaction
EPIN[7].PTR	0x68C	Data pointer
EPIN[7].MAXCNT	0x690	Maximum number of bytes to transfer
EPIN[7].AMOUNT	0x694	Number of bytes transferred in the last transaction
ISOIN.PTR	0x6A0	Data pointer
ISOIN.MAXCNT	0x6A4	Maximum number of bytes to transfer
ISOIN.AMOUNT	0x6A8	Number of bytes transferred in the last transaction
EPOUT[0].PTR	0x700	Data pointer
EPOUT[0].MAXCNT	0x704	Maximum number of bytes to transfer
EPOUT[0].AMOUNT	0x708	Number of bytes transferred in the last transaction
EPOUT[1].PTR	0x714	Data pointer
EPOUT[1].MAXCNT	0x718	Maximum number of bytes to transfer

Register	Offset	Description
EPOUT[1].AMOUNT	0x71C	Number of bytes transferred in the last transaction
EPOUT[2].PTR	0x728	Data pointer
EPOUT[2].MAXCNT	0x72C	Maximum number of bytes to transfer
EPOUT[2].AMOUNT	0x730	Number of bytes transferred in the last transaction
EPOUT[3].PTR	0x73C	Data pointer
EPOUT[3].MAXCNT	0x740	Maximum number of bytes to transfer
EPOUT[3].AMOUNT	0x744	Number of bytes transferred in the last transaction
EPOUT[4].PTR	0x750	Data pointer
EPOUT[4].MAXCNT	0x754	Maximum number of bytes to transfer
EPOUT[4].AMOUNT	0x758	Number of bytes transferred in the last transaction
EPOUT[5].PTR	0x764	Data pointer
EPOUT[5].MAXCNT	0x768	Maximum number of bytes to transfer
EPOUT[5].AMOUNT	0x76C	Number of bytes transferred in the last transaction
EPOUT[6].PTR	0x778	Data pointer
EPOUT[6].MAXCNT	0x77C	Maximum number of bytes to transfer
EPOUT[6].AMOUNT	0x780	Number of bytes transferred in the last transaction
EPOUT[7].PTR	0x78C	Data pointer
EPOUT[7].MAXCNT	0x790	Maximum number of bytes to transfer
EPOUT[7].AMOUNT	0x794	Number of bytes transferred in the last transaction
ISOOUT.PTR	0x7A0	Data pointer
ISOOUT.MAXCNT	0x7A4	Maximum number of bytes to transfer
ISOOUT.AMOUNT	0x7A8	Number of bytes transferred in the last transaction

Table 138: Register overview

6.33.13.1 TASKS_STARTEPIN[n] (n=0..7)

Address offset: $0x004 + (n \times 0x4)$

Captures the EPIN[n].PTR and EPIN[n].MAXCNT registers values, and enables endpoint IN n to respond to traffic from host

Bit number	31 30 29 28 27 26 25 24 23 22 21 20 19 18 17 16 15 14 13 12 11 10 9 8 7 6 5 4 3 2 1 0																															
ID																																A
Reset 0x00000000	0 0																															
ID	Acce	Field	Value ID	Value	Description																											
A	W	TASKS_STARTEPIN			Captures the EPIN[n].PTR and EPIN[n].MAXCNT registers values, and enables endpoint IN n to respond to traffic from host																											
			Trigger	1	Trigger task																											

6.33.13.2 TASKS_STARTISOIN

Address offset: 0x024

Captures the ISOIN.PTR and ISOIN.MAXCNT registers values, and enables sending data on ISO endpoint

Bit number	31	30	29	28	27	26	25	24	23	22	21	20	19	18	17	16	15	14	13	12	11	10	9	8	7	6	5	4	3	2	1	0
ID																																A
Reset 0x00000000	0 0																															
ID	Acce Field	Value ID	Value	Description																												
A	W	TASKS_STARTISOIN		Captures the ISOIN.PTR and ISOIN.MAXCNT registers values, and enables sending data on ISO endpoint																												
		Trigger	1	Trigger task																												

6.33.13.3 TASKS_STARTEPOUT[n] (n=0..7)

Address offset: 0x028 + (n × 0x4)

Captures the EPOUT[n].PTR and EPOUT[n].MAXCNT registers values, and enables endpoint n to respond to traffic from host

Bit number	31	30	29	28	27	26	25	24	23	22	21	20	19	18	17	16	15	14	13	12	11	10	9	8	7	6	5	4	3	2	1	0
ID																																A
Reset 0x00000000	0 0																															
ID	Acce Field	Value ID	Value	Description																												
A	W	TASKS_STARTEPOUT		Captures the EPOUT[n].PTR and EPOUT[n].MAXCNT registers values, and enables endpoint n to respond to traffic from host																												
		Trigger	1	Trigger task																												

6.33.13.4 TASKS_STARTISOOUT

Address offset: 0x048

Captures the ISOOUT.PTR and ISOOUT.MAXCNT registers values, and enables receiving of data on ISO endpoint

Bit number	31	30	29	28	27	26	25	24	23	22	21	20	19	18	17	16	15	14	13	12	11	10	9	8	7	6	5	4	3	2	1	0
ID																																A
Reset 0x00000000	0 0																															
ID	Acce Field	Value ID	Value	Description																												
A	W	TASKS_STARTISOOUT		Captures the ISOOUT.PTR and ISOOUT.MAXCNT registers values, and enables receiving of data on ISO endpoint																												
		Trigger	1	Trigger task																												

6.33.13.5 TASKS_EPORCVOUT

Address offset: 0x04C

Allows OUT data stage on control endpoint 0

Bit number	31	30	29	28	27	26	25	24	23	22	21	20	19	18	17	16	15	14	13	12	11	10	9	8	7	6	5	4	3	2	1	0
ID																																A
Reset 0x00000000	0 0																															
ID	Acce Field	Value ID	Value	Description																												
A	W	TASKS_EPORCVOUT		Allows OUT data stage on control endpoint 0																												
		Trigger	1	Trigger task																												

6.33.13.6 TASKS_EPOSTATUS

Address offset: 0x050

Allows status stage on control endpoint 0

Bit number	31	30	29	28	27	26	25	24	23	22	21	20	19	18	17	16	15	14	13	12	11	10	9	8	7	6	5	4	3	2	1	0	
ID																																	A
Reset 0x00000000	0 0																																
ID	Acce Field	Value ID	Value	Description																													
A	W TASKS_EPOSTATUS			Allows status stage on control endpoint 0																													
		Trigger	1	Trigger task																													

6.33.13.7 TASKS_EPOSTALL

Address offset: 0x054

Stalls data and status stage on control endpoint 0

Bit number	31	30	29	28	27	26	25	24	23	22	21	20	19	18	17	16	15	14	13	12	11	10	9	8	7	6	5	4	3	2	1	0	
ID																																	A
Reset 0x00000000	0 0																																
ID	Acce Field	Value ID	Value	Description																													
A	W TASKS_EPOSTALL			Stalls data and status stage on control endpoint 0																													
		Trigger	1	Trigger task																													

6.33.13.8 TASKS_DPDMDRIVE

Address offset: 0x058

Forces D+ and D- lines into the state defined in the DPDMVALUE register

Bit number	31	30	29	28	27	26	25	24	23	22	21	20	19	18	17	16	15	14	13	12	11	10	9	8	7	6	5	4	3	2	1	0	
ID																																	A
Reset 0x00000000	0 0																																
ID	Acce Field	Value ID	Value	Description																													
A	W TASKS_DPDMDRIVE			Forces D+ and D- lines into the state defined in the DPDMVALUE register																													
		Trigger	1	Trigger task																													

6.33.13.9 TASKS_DPDMNODRIVE

Address offset: 0x05C

Stops forcing D+ and D- lines into any state (USB engine takes control)

Bit number	31	30	29	28	27	26	25	24	23	22	21	20	19	18	17	16	15	14	13	12	11	10	9	8	7	6	5	4	3	2	1	0	
ID																																	A
Reset 0x00000000	0 0																																
ID	Acce Field	Value ID	Value	Description																													
A	W TASKS_DPDMNODRIVE			Stops forcing D+ and D- lines into any state (USB engine takes control)																													
		Trigger	1	Trigger task																													

6.33.13.10 EVENTS_USBRESET

Address offset: 0x100

Signals that a USB reset condition has been detected on USB lines

Bit number	31 30 29 28 27 26 25 24 23 22 21 20 19 18 17 16 15 14 13 12 11 10 9 8 7 6 5 4 3 2 1 0																														
ID	A																														
Reset	0x00000000																														
Reset	0 0																														
ID	Acce Field	Value ID	Value	Description																											
A	RW	EVENTS_USBRESET		Signals that a USB reset condition has been detected on USB lines																											
		NotGenerated	0	Event not generated																											
		Generated	1	Event generated																											

6.33.13.11 EVENTS_STARTED

Address offset: 0x104

Confirms that the EPIN[n].PTR and EPIN[n].MAXCNT, or EPOUT[n].PTR and EPOUT[n].MAXCNT registers have been captured on all endpoints reported in the EPSTATUS register

Bit number	31 30 29 28 27 26 25 24 23 22 21 20 19 18 17 16 15 14 13 12 11 10 9 8 7 6 5 4 3 2 1 0																														
ID	A																														
Reset	0x00000000																														
Reset	0 0																														
ID	Acce Field	Value ID	Value	Description																											
A	RW	EVENTS_STARTED		Confirms that the EPIN[n].PTR and EPIN[n].MAXCNT, or EPOUT[n].PTR and EPOUT[n].MAXCNT registers have been captured on all endpoints reported in the EPSTATUS register																											
		NotGenerated	0	Event not generated																											
		Generated	1	Event generated																											

6.33.13.12 EVENTS_ENDEPIN[n] (n=0..7)

Address offset: 0x108 + (n × 0x4)

The whole EPIN[n] buffer has been consumed. The buffer can be accessed safely by software.

Bit number	31 30 29 28 27 26 25 24 23 22 21 20 19 18 17 16 15 14 13 12 11 10 9 8 7 6 5 4 3 2 1 0																														
ID	A																														
Reset	0x00000000																														
Reset	0 0																														
ID	Acce Field	Value ID	Value	Description																											
A	RW	EVENTS_ENDEPIN		The whole EPIN[n] buffer has been consumed. The buffer can be accessed safely by software.																											
		NotGenerated	0	Event not generated																											
		Generated	1	Event generated																											

6.33.13.13 EVENTS_EPODATADONE

Address offset: 0x128

An acknowledged data transfer has taken place on the control endpoint

Bit number	31 30 29 28 27 26 25 24 23 22 21 20 19 18 17 16 15 14 13 12 11 10 9 8 7 6 5 4 3 2 1 0																														
ID	A																														
Reset	0x00000000																														
	0 0																														
ID	Acce Field	Value ID	Value	Description																											
A	RW	EVENTS_EP0DATADONE		An acknowledged data transfer has taken place on the control endpoint																											
		NotGenerated	0	Event not generated																											
		Generated	1	Event generated																											

6.33.13.14 EVENTS_ENDISOIN

Address offset: 0x12C

The whole ISOIN buffer has been consumed. The buffer can be accessed safely by software.

Bit number	31 30 29 28 27 26 25 24 23 22 21 20 19 18 17 16 15 14 13 12 11 10 9 8 7 6 5 4 3 2 1 0																														
ID	A																														
Reset	0x00000000																														
	0 0																														
ID	Acce Field	Value ID	Value	Description																											
A	RW	EVENTS_ENDISOIN		The whole ISOIN buffer has been consumed. The buffer can be accessed safely by software.																											
		NotGenerated	0	Event not generated																											
		Generated	1	Event generated																											

6.33.13.15 EVENTS_ENDEPOUT[n] (n=0..7)

Address offset: 0x130 + (n × 0x4)

The whole EPOUT[n] buffer has been consumed. The buffer can be accessed safely by software.

Bit number	31 30 29 28 27 26 25 24 23 22 21 20 19 18 17 16 15 14 13 12 11 10 9 8 7 6 5 4 3 2 1 0																														
ID	A																														
Reset	0x00000000																														
	0 0																														
ID	Acce Field	Value ID	Value	Description																											
A	RW	EVENTS_ENDEPOUT		The whole EPOUT[n] buffer has been consumed. The buffer can be accessed safely by software.																											
		NotGenerated	0	Event not generated																											
		Generated	1	Event generated																											

6.33.13.16 EVENTS_ENDISOOUT

Address offset: 0x150

The whole ISOOUT buffer has been consumed. The buffer can be accessed safely by software.

Bit number	31 30 29 28 27 26 25 24 23 22 21 20 19 18 17 16 15 14 13 12 11 10 9 8 7 6 5 4 3 2 1 0																														
ID	A																														
Reset	0x00000000																														
	0 0																														
ID	Acce Field	Value ID	Value	Description																											
A	RW	EVENTS_ENDISOOUT		The whole ISOOUT buffer has been consumed. The buffer can be accessed safely by software.																											
		NotGenerated	0	Event not generated																											
		Generated	1	Event generated																											

6.33.13.17 EVENTS_SOF

Address offset: 0x154

Signals that a SOF (start of frame) condition has been detected on USB lines

Bit number	31	30	29	28	27	26	25	24	23	22	21	20	19	18	17	16	15	14	13	12	11	10	9	8	7	6	5	4	3	2	1	0
ID																																A
Reset	0x00000000																															
	0 0																															
ID	Acce Field	Value ID	Value	Description																												
A	RW	EVENTS_SOF		Signals that a SOF (start of frame) condition has been detected on USB lines																												
		NotGenerated	0	Event not generated																												
		Generated	1	Event generated																												

6.33.13.18 EVENTS_USBEVENT

Address offset: 0x158

An event or an error not covered by specific events has occurred. Check EVENTCAUSE register to find the cause.

Bit number	31	30	29	28	27	26	25	24	23	22	21	20	19	18	17	16	15	14	13	12	11	10	9	8	7	6	5	4	3	2	1	0
ID																																A
Reset	0x00000000																															
	0 0																															
ID	Acce Field	Value ID	Value	Description																												
A	RW	EVENTS_USBEVENT		An event or an error not covered by specific events has occurred. Check EVENTCAUSE register to find the cause.																												
		NotGenerated	0	Event not generated																												
		Generated	1	Event generated																												

6.33.13.19 EVENTS_EPOSETUP

Address offset: 0x15C

A valid SETUP token has been received (and acknowledged) on the control endpoint

Bit number	31	30	29	28	27	26	25	24	23	22	21	20	19	18	17	16	15	14	13	12	11	10	9	8	7	6	5	4	3	2	1	0
ID																																A
Reset	0x00000000																															
	0 0																															
ID	Acce Field	Value ID	Value	Description																												
A	RW	EVENTS_EPOSETUP		A valid SETUP token has been received (and acknowledged) on the control endpoint																												
		NotGenerated	0	Event not generated																												
		Generated	1	Event generated																												

6.33.13.20 EVENTS_EPDATA

Address offset: 0x160

A data transfer has occurred on a data endpoint, indicated by the EPDATASTATUS register

Bit number	31	30	29	28	27	26	25	24	23	22	21	20	19	18	17	16	15	14	13	12	11	10	9	8	7	6	5	4	3	2	1	0
ID																																A
Reset	0x00000000																															
Reset	0	0	0	0	0	0	0	0	0	0	0	0	0	0	0	0	0	0	0	0	0	0	0	0	0	0	0	0	0	0	0	0
ID	Acce Field	Value ID	Value	Description																												
A	RW	EVENTS_EPDATA		A data transfer has occurred on a data endpoint, indicated by the EPDATASTATUS register																												
		NotGenerated	0	Event not generated																												
		Generated	1	Event generated																												

6.33.13.21 SHORTS

Address offset: 0x200

Shortcuts between local events and tasks

Bit number	31	30	29	28	27	26	25	24	23	22	21	20	19	18	17	16	15	14	13	12	11	10	9	8	7	6	5	4	3	2	1	0				
ID																																E	D	C	B	A
Reset	0x00000000																																			
Reset	0	0	0	0	0	0	0	0	0	0	0	0	0	0	0	0	0	0	0	0	0	0	0	0	0	0	0	0	0	0	0					
ID	Acce Field	Value ID	Value	Description																																
A	RW	EPODATADONE_STARTEPIN0		Shortcut between event EPODATADONE and task STARTEPIN[0]																																
		Disabled	0	Disable shortcut																																
		Enabled	1	Enable shortcut																																
B	RW	EPODATADONE_STARTEP		Shortcut between event EPODATADONE and task STARTEP[0]																																
		Disabled	0	Disable shortcut																																
		Enabled	1	Enable shortcut																																
C	RW	EPODATADONE_EPOSTATUS		Shortcut between event EPODATADONE and task EPOSTATUS																																
		Disabled	0	Disable shortcut																																
		Enabled	1	Enable shortcut																																
D	RW	ENDEPOUTO_EPOSTATUS		Shortcut between event ENDEPOUTO[0] and task EPOSTATUS																																
		Disabled	0	Disable shortcut																																
		Enabled	1	Enable shortcut																																
E	RW	ENDEPOUTO_EPORCVOUT		Shortcut between event ENDEPOUTO[0] and task EPORCVOUT																																
		Disabled	0	Disable shortcut																																
		Enabled	1	Enable shortcut																																

6.33.13.22 INTEN

Address offset: 0x300

Enable or disable interrupt

Bit number	31	30	29	28	27	26	25	24	23	22	21	20	19	18	17	16	15	14	13	12	11	10	9	8	7	6	5	4	3	2	1	0																								
ID																																Y	X	W	V	U	T	S	R	Q	P	O	N	M	L	K	J	I	H	G	F	E	D	C	B	A
Reset	0x00000000																																																							
Reset	0	0	0	0	0	0	0	0	0	0	0	0	0	0	0	0	0	0	0	0	0	0	0	0	0	0	0	0	0	0	0																									
ID	Acce Field	Value ID	Value	Description																																																				
A	RW	USBRESET		Enable or disable interrupt for event USBRESET																																																				
		Disabled	0	Disable																																																				
		Enabled	1	Enable																																																				
B	RW	STARTED		Enable or disable interrupt for event STARTED																																																				
		Disabled	0	Disable																																																				
		Enabled	1	Enable																																																				
C-J	RW	ENDEPIN[i] (i=0..7)		Enable or disable interrupt for event ENDEPIN[i]																																																				
		Disabled	0	Disable																																																				

Bit number		31 30 29 28 27 26 25 24 23 22 21 20 19 18 17 16 15 14 13 12 11 10 9 8 7 6 5 4 3 2 1 0																											
ID		Y X W V U T S R Q P O N M L K J I H G F E D C B A																											
Reset 0x00000000		0 0																											
ID	Acce Field	Value ID	Value	Description																									
		Enabled	1	Enable																									
K	RW EP0DATADONE	Enabled	1	Enable or disable interrupt for event EP0DATADONE																									
		Disabled	0	Disable																									
		Enabled	1	Enable																									
L	RW ENDISOIN	Enabled	1	Enable or disable interrupt for event ENDISOIN																									
		Disabled	0	Disable																									
		Enabled	1	Enable																									
M-T	RW ENDEPOUT[i] (i=0..7)	Enabled	1	Enable or disable interrupt for event ENDEPOUT[i]																									
		Disabled	0	Disable																									
		Enabled	1	Enable																									
U	RW ENDISOOUT	Enabled	1	Enable or disable interrupt for event ENDISOOUT																									
		Disabled	0	Disable																									
		Enabled	1	Enable																									
V	RW SOF	Enabled	1	Enable or disable interrupt for event SOF																									
		Disabled	0	Disable																									
		Enabled	1	Enable																									
W	RW USBEVENT	Enabled	1	Enable or disable interrupt for event USBEVENT																									
		Disabled	0	Disable																									
		Enabled	1	Enable																									
X	RW EPOSETUP	Enabled	1	Enable or disable interrupt for event EPOSETUP																									
		Disabled	0	Disable																									
		Enabled	1	Enable																									
Y	RW EPDATA	Enabled	1	Enable or disable interrupt for event EPDATA																									
		Disabled	0	Disable																									
		Enabled	1	Enable																									

6.33.13.23 INTENSET

Address offset: 0x304

Enable interrupt

Bit number		31 30 29 28 27 26 25 24 23 22 21 20 19 18 17 16 15 14 13 12 11 10 9 8 7 6 5 4 3 2 1 0																											
ID		Y X W V U T S R Q P O N M L K J I H G F E D C B A																											
Reset 0x00000000		0 0																											
ID	Acce Field	Value ID	Value	Description																									
A	RW USBRESET	Set	1	Write '1' to enable interrupt for event USBRESET																									
		Disabled	0	Read: Disabled																									
		Enabled	1	Read: Enabled																									
B	RW STARTED	Set	1	Write '1' to enable interrupt for event STARTED																									
		Disabled	0	Read: Disabled																									
		Enabled	1	Read: Enabled																									
C-J	RW ENDEPIN[i] (i=0..7)	Set	1	Write '1' to enable interrupt for event ENDEPIN[i]																									
		Disabled	0	Read: Disabled																									
		Enabled	1	Read: Enabled																									
K	RW EP0DATADONE	Set	1	Write '1' to enable interrupt for event EP0DATADONE																									
		Enabled	1	Enable																									

Bit number		31 30 29 28 27 26 25 24 23 22 21 20 19 18 17 16 15 14 13 12 11 10 9 8 7 6 5 4 3 2 1 0																											
ID		Y X W V U T S R Q P O N M L K J I H G F E D C B A																											
Reset 0x00000000		0 0																											
ID	Acce Field	Value ID	Value	Description																									
		Disabled	0	Read: Disabled																									
		Enabled	1	Read: Enabled																									
L	RW ENDISOIN			Write '1' to enable interrupt for event ENDISOIN																									
		Set	1	Enable																									
		Disabled	0	Read: Disabled																									
		Enabled	1	Read: Enabled																									
M-T	RW ENDEPOUT[i] (i=0..7)			Write '1' to enable interrupt for event ENDEPOUT[i]																									
		Set	1	Enable																									
		Disabled	0	Read: Disabled																									
		Enabled	1	Read: Enabled																									
U	RW ENDISOOUT			Write '1' to enable interrupt for event ENDISOOUT																									
		Set	1	Enable																									
		Disabled	0	Read: Disabled																									
		Enabled	1	Read: Enabled																									
V	RW SOF			Write '1' to enable interrupt for event SOF																									
		Set	1	Enable																									
		Disabled	0	Read: Disabled																									
		Enabled	1	Read: Enabled																									
W	RW USBEVENT			Write '1' to enable interrupt for event USBEVENT																									
		Set	1	Enable																									
		Disabled	0	Read: Disabled																									
		Enabled	1	Read: Enabled																									
X	RW EPOSETUP			Write '1' to enable interrupt for event EPOSETUP																									
		Set	1	Enable																									
		Disabled	0	Read: Disabled																									
		Enabled	1	Read: Enabled																									
Y	RW EPDATA			Write '1' to enable interrupt for event EPDATA																									
		Set	1	Enable																									
		Disabled	0	Read: Disabled																									
		Enabled	1	Read: Enabled																									

6.33.13.24 INTENCLR

Address offset: 0x308

Disable interrupt

Bit number		31 30 29 28 27 26 25 24 23 22 21 20 19 18 17 16 15 14 13 12 11 10 9 8 7 6 5 4 3 2 1 0																											
ID		Y X W V U T S R Q P O N M L K J I H G F E D C B A																											
Reset 0x00000000		0 0																											
ID	Acce Field	Value ID	Value	Description																									
A	RW USBRESET			Write '1' to disable interrupt for event USBRESET																									
		Clear	1	Disable																									
		Disabled	0	Read: Disabled																									
		Enabled	1	Read: Enabled																									
B	RW STARTED			Write '1' to disable interrupt for event STARTED																									
		Clear	1	Disable																									
		Disabled	0	Read: Disabled																									
		Enabled	1	Read: Enabled																									
C-J	RW ENDEPIN[i] (i=0..7)			Write '1' to disable interrupt for event ENDEPIN[i]																									

Bit number		31 30 29 28 27 26 25 24 23 22 21 20 19 18 17 16 15 14 13 12 11 10 9 8 7 6 5 4 3 2 1 0																											
ID		Y X W V U T S R Q P O N M L K J I H G F E D C B A																											
Reset 0x00000000		0 0																											
ID	Acce Field	Value ID	Value	Description																									
		Clear	1	Disable																									
		Disabled	0	Read: Disabled																									
		Enabled	1	Read: Enabled																									
K	RW EPODATADONE			Write '1' to disable interrupt for event EPODATADONE																									
		Clear	1	Disable																									
		Disabled	0	Read: Disabled																									
		Enabled	1	Read: Enabled																									
L	RW ENDISOIN			Write '1' to disable interrupt for event ENDISOIN																									
		Clear	1	Disable																									
		Disabled	0	Read: Disabled																									
		Enabled	1	Read: Enabled																									
M-T	RW ENDEPOUT[i] (i=0..7)			Write '1' to disable interrupt for event ENDEPOUT[i]																									
		Clear	1	Disable																									
		Disabled	0	Read: Disabled																									
		Enabled	1	Read: Enabled																									
U	RW ENDISOOUT			Write '1' to disable interrupt for event ENDISOOUT																									
		Clear	1	Disable																									
		Disabled	0	Read: Disabled																									
		Enabled	1	Read: Enabled																									
V	RW SOF			Write '1' to disable interrupt for event SOF																									
		Clear	1	Disable																									
		Disabled	0	Read: Disabled																									
		Enabled	1	Read: Enabled																									
W	RW USBEVENT			Write '1' to disable interrupt for event USBEVENT																									
		Clear	1	Disable																									
		Disabled	0	Read: Disabled																									
		Enabled	1	Read: Enabled																									
X	RW EPOSETUP			Write '1' to disable interrupt for event EPOSETUP																									
		Clear	1	Disable																									
		Disabled	0	Read: Disabled																									
		Enabled	1	Read: Enabled																									
Y	RW EPDATA			Write '1' to disable interrupt for event EPDATA																									
		Clear	1	Disable																									
		Disabled	0	Read: Disabled																									
		Enabled	1	Read: Enabled																									

6.33.13.25 EVENTCAUSE

Address offset: 0x400

Details on what caused the USBEVENT event

Bit number		31 30 29 28 27 26 25 24 23 22 21 20 19 18 17 16 15 14 13 12 11 10 9 8 7 6 5 4 3 2 1 0																											
ID		E D C B A																											
Reset 0x00000000		0 0																											
ID	Acce Field	Value ID	Value	Description																									
A	RW ISOOUTCRC			CRC error was detected on isochronous OUT endpoint 8.																									
				Write '1' to clear.																									
		NotDetected	0	No error detected																									
		Detected	1	Error detected																									

Bit number	31 30 29 28 27 26 25 24 23 22 21 20 19 18 17 16 15 14 13 12 11 10 9 8 7 6 5 4 3 2 1 0																																						
ID																														E	D	C	B						A
Reset 0x00000000	0 0																																						
ID	Acce Field	Value ID	Value	Description																																			
B	RW SUSPEND			Signals that USB lines have been idle long enough for the device to enter suspend. Write '1' to clear.																																			
		NotDetected	0	Suspend not detected																																			
		Detected	1	Suspend detected																																			
C	RW RESUME			Signals that a RESUME condition (K state or activity restart) has been detected on USB lines. Write '1' to clear.																																			
		NotDetected	0	Resume not detected																																			
		Detected	1	Resume detected																																			
D	RW USBWUALLOWED			USB MAC has been woken up and operational. Write '1' to clear.																																			
		NotAllowed	0	Wake up not allowed																																			
		Allowed	1	Wake up allowed																																			
E	RW READY			USB device is ready for normal operation. Write '1' to clear.																																			
		NotDetected	0	USBEVENT was not issued due to USB peripheral ready																																			
		Ready	1	USB peripheral is ready																																			

6.33.13.26 HALTED.EPIN[n] (n=0..7)

Address offset: $0x420 + (n \times 0x4)$

IN endpoint halted status. Can be used as is as response to a GetStatus() request to endpoint.

Bit number	31 30 29 28 27 26 25 24 23 22 21 20 19 18 17 16 15 14 13 12 11 10 9 8 7 6 5 4 3 2 1 0																																																								
ID																														A	A	A	A	A	A	A	A	A	A	A	A	A	A	A	A	A	A	A	A	A	A	A	A	A	A	A	A
Reset 0x00000000	0 0																																																								
ID	Acce Field	Value ID	Value	Description																																																					
A	R GETSTATUS			IN endpoint halted status. Can be used as is as response to a GetStatus() request to endpoint.																																																					
		NotHalted	0	Endpoint is not halted																																																					
		Halted	1	Endpoint is halted																																																					

6.33.13.27 HALTED.EPOUT[n] (n=0..7)

Address offset: $0x444 + (n \times 0x4)$

OUT endpoint halted status. Can be used as is as response to a GetStatus() request to endpoint.

Bit number	31 30 29 28 27 26 25 24 23 22 21 20 19 18 17 16 15 14 13 12 11 10 9 8 7 6 5 4 3 2 1 0																																																								
ID																														A	A	A	A	A	A	A	A	A	A	A	A	A	A	A	A	A	A	A	A	A	A	A	A	A	A	A	A
Reset 0x00000000	0 0																																																								
ID	Acce Field	Value ID	Value	Description																																																					
A	R GETSTATUS			OUT endpoint halted status. Can be used as is as response to a GetStatus() request to endpoint.																																																					
		NotHalted	0	Endpoint is not halted																																																					
		Halted	1	Endpoint is halted																																																					

6.33.13.28 EPSTATUS

Address offset: 0x468

Provides information on which endpoint's EasyDMA registers have been captured

Bit number	31 30 29 28 27 26 25 24 23 22 21 20 19 18 17 16 15 14 13 12 11 10 9 8 7 6 5 4 3 2 1 0																															
ID	R Q P O N M L K J															I H G F E D C B A																
Reset 0x00000000		0 0																														
ID	Acce Field	Value ID	Value	Description																												
A-I	RW EPIN[i] (i=0..8)			Captured state of endpoint's EasyDMA registers. Write '1' to clear.																												
		NoData	0	EasyDMA registers have not been captured for this endpoint																												
		DataDone	1	EasyDMA registers have been captured for this endpoint																												
J-R	RW EPOUT[i] (i=0..8)			Captured state of endpoint's EasyDMA registers. Write '1' to clear.																												
		NoData	0	EasyDMA registers have not been captured for this endpoint																												
		DataDone	1	EasyDMA registers have been captured for this endpoint																												

6.33.13.29 EPDATASTATUS

Address offset: 0x46C

Provides information on which endpoint(s) an acknowledged data transfer has occurred (EPDATA event)

Bit number	31 30 29 28 27 26 25 24 23 22 21 20 19 18 17 16 15 14 13 12 11 10 9 8 7 6 5 4 3 2 1 0																															
ID	N M L K J I H															G F E D C B A																
Reset 0x00000000		0 0																														
ID	Acce Field	Value ID	Value	Description																												
A-G	RW EPIN[i] (i=1..7)			Acknowledged data transfer on this IN endpoint. Write '1' to clear.																												
		NotDone	0	No acknowledged data transfer on this endpoint																												
		DataDone	1	Acknowledged data transfer on this endpoint has occurred																												
H-N	RW EPOUT[i] (i=1..7)			Acknowledged data transfer on this OUT endpoint. Write '1' to clear.																												
		NotStarted	0	No acknowledged data transfer on this endpoint																												
		Started	1	Acknowledged data transfer on this endpoint has occurred																												

6.33.13.30 USBADDR

Address offset: 0x470

Device USB address

Bit number	31 30 29 28 27 26 25 24 23 22 21 20 19 18 17 16 15 14 13 12 11 10 9 8 7 6 5 4 3 2 1 0																															
ID																	A A A A A A A															
Reset 0x00000000		0 0																														
ID	Acce Field	Value ID	Value	Description																												
A	R ADDR			Device USB address																												

6.33.13.31 BMREQUESTTYPE

Address offset: 0x480

SETUP data, byte 0, bmRequestType

Bit number	31 30 29 28 27 26 25 24 23 22 21 20 19 18 17 16 15 14 13 12 11 10 9 8 7 6 5 4 3 2 1 0																																														
ID																															C	B	B	A	A	A	A										
Reset 0x00000000	0 0																																														
ID	Acce	Field	Value ID	Value	Description																																										
A	R	RECIPIENT			Data transfer type																																										
			Device	0	Device																																										
			Interface	1	Interface																																										
			Endpoint	2	Endpoint																																										
			Other	3	Other																																										
B	R	TYPE			Data transfer type																																										
			Standard	0	Standard																																										
			Class	1	Class																																										
			Vendor	2	Vendor																																										
C	R	DIRECTION			Data transfer direction																																										
			HostToDevice	0	Host-to-device																																										
			DeviceToHost	1	Device-to-host																																										

6.33.13.32 BREQUEST

Address offset: 0x484

SETUP data, byte 1, bRequest

Bit number	31 30 29 28 27 26 25 24 23 22 21 20 19 18 17 16 15 14 13 12 11 10 9 8 7 6 5 4 3 2 1 0																																													
ID																															A	A	A	A	A	A										
Reset 0x00000000	0 0																																													
ID	Acce	Field	Value ID	Value	Description																																									
A	R	BREQUEST			SETUP data, byte 1, bRequest. Values provided for standard requests only, user must implement class and vendor values.																																									
			STD_GET_STATUS	0	Standard request GET_STATUS																																									
			STD_CLEAR_FEATURE	1	Standard request CLEAR_FEATURE																																									
			STD_SET_FEATURE	3	Standard request SET_FEATURE																																									
			STD_SET_ADDRESS	5	Standard request SET_ADDRESS																																									
			STD_GET_DESCRIPTOR	6	Standard request GET_DESCRIPTOR																																									
			STD_SET_DESCRIPTOR	7	Standard request SET_DESCRIPTOR																																									
			STD_GET_CONFIGURATION	8	Standard request GET_CONFIGURATION																																									
			STD_SET_CONFIGURATION	9	Standard request SET_CONFIGURATION																																									
			STD_GET_INTERFACE	10	Standard request GET_INTERFACE																																									
			STD_SET_INTERFACE	11	Standard request SET_INTERFACE																																									
			STD_SYNCH_FRAME	12	Standard request SYNCH_FRAME																																									

6.33.13.33 WVALUEL

Address offset: 0x488

SETUP data, byte 2, LSB of wValue

Bit number	31 30 29 28 27 26 25 24 23 22 21 20 19 18 17 16 15 14 13 12 11 10 9 8 7 6 5 4 3 2 1 0																																													
ID																															A	A	A	A	A	A										
Reset 0x00000000	0 0																																													
ID	Acce	Field	Value ID	Value	Description																																									
A	R	WVALUEL			SETUP data, byte 2, LSB of wValue																																									

6.33.13.34 WVALUEH

Address offset: 0x48C

SETUP data, byte 3, MSB of wValue

Bit number	31	30	29	28	27	26	25	24	23	22	21	20	19	18	17	16	15	14	13	12	11	10	9	8	7	6	5	4	3	2	1	0						
ID																								A	A	A	A	A	A	A	A							
Reset 0x00000000	0 0																																					
ID	Acce Field	Value ID	Value	Description																																		
A	R	WVALUEH		SETUP data, byte 3, MSB of wValue																																		

6.33.13.35 WINDEXL

Address offset: 0x490

SETUP data, byte 4, LSB of wIndex

Bit number	31	30	29	28	27	26	25	24	23	22	21	20	19	18	17	16	15	14	13	12	11	10	9	8	7	6	5	4	3	2	1	0						
ID																								A	A	A	A	A	A	A	A							
Reset 0x00000000	0 0																																					
ID	Acce Field	Value ID	Value	Description																																		
A	R	WINDEXL		SETUP data, byte 4, LSB of wIndex																																		

6.33.13.36 WINDEXH

Address offset: 0x494

SETUP data, byte 5, MSB of wIndex

Bit number	31	30	29	28	27	26	25	24	23	22	21	20	19	18	17	16	15	14	13	12	11	10	9	8	7	6	5	4	3	2	1	0						
ID																								A	A	A	A	A	A	A	A							
Reset 0x00000000	0 0																																					
ID	Acce Field	Value ID	Value	Description																																		
A	R	WINDEXH		SETUP data, byte 5, MSB of wIndex																																		

6.33.13.37 WLENGTHL

Address offset: 0x498

SETUP data, byte 6, LSB of wLength

Bit number	31	30	29	28	27	26	25	24	23	22	21	20	19	18	17	16	15	14	13	12	11	10	9	8	7	6	5	4	3	2	1	0						
ID																								A	A	A	A	A	A	A	A							
Reset 0x00000000	0 0																																					
ID	Acce Field	Value ID	Value	Description																																		
A	R	WLENGTHL		SETUP data, byte 6, LSB of wLength																																		

6.33.13.38 WLENGTHH

Address offset: 0x49C

SETUP data, byte 7, MSB of wLength

Bit number	31	30	29	28	27	26	25	24	23	22	21	20	19	18	17	16	15	14	13	12	11	10	9	8	7	6	5	4	3	2	1	0																								
ID																											A	A	A	A	A	A	A	A	A	A	A	A	A	A	A	A	A	A	A	A	A	A	A	A	A	A	A	A	A	A
Reset 0x00000000	0																										0	0	0	0	0	0	0	0	0	0	0	0	0	0	0	0	0	0	0	0	0	0	0	0	0	0	0	0	0	0
ID	Acce Field	Value ID	Value	Description																																																				
A	R	WLENGTHH		SETUP data, byte 7, MSB of wLength																																																				

6.33.13.39 SIZE.EPOUT[n] (n=0..7)

Address offset: 0x4A0 + (n × 0x4)

Number of bytes received last in the data stage of this OUT endpoint

Write to any value to accept further OUT traffic on this endpoint, and overwrite the intermediate buffer

Bit number	31	30	29	28	27	26	25	24	23	22	21	20	19	18	17	16	15	14	13	12	11	10	9	8	7	6	5	4	3	2	1	0																								
ID																											A	A	A	A	A	A	A	A	A	A	A	A	A	A	A	A	A	A	A	A	A	A	A	A	A	A	A	A	A	
Reset 0x00000000	0																										0	0	0	0	0	0	0	0	0	0	0	0	0	0	0	0	0	0	0	0	0	0	0	0	0	0	0	0	0	0
ID	Acce Field	Value ID	Value	Description																																																				
A	R	SIZE		Number of bytes received last in the data stage of this OUT endpoint																																																				

6.33.13.40 SIZE.ISOOUT

Address offset: 0x4C0

Number of bytes received last on this ISO OUT data endpoint

Bit number	31	30	29	28	27	26	25	24	23	22	21	20	19	18	17	16	15	14	13	12	11	10	9	8	7	6	5	4	3	2	1	0												
ID														B														A	A	A	A	A	A	A	A	A	A	A	A	A	A	A	A	
Reset 0x00010000	0													0	0	0	0	0	0	0	0	0	0	0	0	0	0	0	0	0	0	0	0	0	0	0	0	0	0	0	0	0	0	0
ID	Acce Field	Value ID	Value	Description																																								
A	R	SIZE		Number of bytes received last on this ISO OUT data endpoint																																								
B	R	ZERO		Zero-length data packet received																																								
		Normal	0	No zero-length data received, use value in SIZE																																								
		ZeroData	1	Zero-length data received, ignore value in SIZE																																								

6.33.13.41 ENABLE

Address offset: 0x500

Enable USB

After writing Disabled to this register, reading the register will return Enabled until USB is completely disabled.

Bit number	31	30	29	28	27	26	25	24	23	22	21	20	19	18	17	16	15	14	13	12	11	10	9	8	7	6	5	4	3	2	1	0																									
ID																											A																														
Reset 0x00000000	0																										0	0	0	0	0	0	0	0	0	0	0	0	0	0	0	0	0	0	0	0	0	0	0	0	0	0	0	0	0	0	0
ID	Acce Field	Value ID	Value	Description																																																					
A	RW	ENABLE		Enable USB																																																					
		Disabled	0	USB peripheral is disabled																																																					
		Enabled	1	USB peripheral is enabled																																																					

6.33.13.42 USBPULLUP

Address offset: 0x504

Control of the USB pull-up

Bit number	31 30 29 28 27 26 25 24 23 22 21 20 19 18 17 16 15 14 13 12 11 10 9 8 7 6 5 4 3 2 1 0																															
ID																																A
Reset 0x00000000	0 0																															
ID	Acce Field	Value ID	Value	Description																												
A	RW CONNECT			Control of the USB pull-up on the D+ line																												
		Disabled	0	Pull-up is disconnected																												
		Enabled	1	Pull-up is connected to D+																												

6.33.13.43 DPDMVALUE

Address offset: 0x508

State D+ and D- lines will be forced into by the DPMDRIVE task. The DPDMNODRIVE task reverts the control of the lines to MAC IP (no forcing).

Bit number	31 30 29 28 27 26 25 24 23 22 21 20 19 18 17 16 15 14 13 12 11 10 9 8 7 6 5 4 3 2 1 0																															
ID																																A A A A A
Reset 0x00000000	0 0																															
ID	Acce Field	Value ID	Value	Description																												
A	RW STATE			State D+ and D- lines will be forced into by the DPMDRIVE task																												
		Resume	1	D+ forced low, D- forced high (K state) for a timing preset in hardware (50 μ s or 5 ms, depending on bus state)																												
		J	2	D+ forced high, D- forced low (J state)																												
		K	4	D+ forced low, D- forced high (K state)																												

6.33.13.44 DTOGGLE

Address offset: 0x50C

Data toggle control and status

First write this register with VALUE=Nop to select the endpoint, then either read it to get the status from VALUE, or write it again with VALUE=Data0 or Data1

Bit number	31 30 29 28 27 26 25 24 23 22 21 20 19 18 17 16 15 14 13 12 11 10 9 8 7 6 5 4 3 2 1 0																																								
ID																												C	C	B				A	A	A					
Reset 0x00000100	0 0																																								
ID	Acce Field	Value ID	Value	Description																																					
A	RW EP			Select bulk endpoint number																																					
B	RW IO			Selects IN or OUT endpoint																																					
		Out	0	Selects OUT endpoint																																					
		In	1	Selects IN endpoint																																					
C	RW VALUE			Data toggle value																																					
		Nop	0	No action on data toggle when writing the register with this value																																					
		Data0	1	Data toggle is DATA0 on endpoint set by EP and IO																																					
		Data1	2	Data toggle is DATA1 on endpoint set by EP and IO																																					

6.33.13.45 EPINEN

Address offset: 0x510

Endpoint IN enable

Bit number	31 30 29 28 27 26 25 24 23 22 21 20 19 18 17 16 15 14 13 12 11 10 9 8 7 6 5 4 3 2 1 0																																								
ID																												I	H	G	F	E	D	C	B	A					
Reset 0x00000001	0 1																																								
ID	Acce Field	Value ID	Value	Description																																					
A-H	RW IN[i] (i=0..7)			Enable IN endpoint i																																					
		Disable	0	Disable endpoint IN i (no response to IN tokens)																																					
		Enable	1	Enable endpoint IN i (response to IN tokens)																																					
I	RW ISOIN			Enable ISO IN endpoint																																					
		Disable	0	Disable ISO IN endpoint 8																																					
		Enable	1	Enable ISO IN endpoint 8																																					

6.33.13.46 EPOUTEN

Address offset: 0x514

Endpoint OUT enable

Bit number	31 30 29 28 27 26 25 24 23 22 21 20 19 18 17 16 15 14 13 12 11 10 9 8 7 6 5 4 3 2 1 0																																								
ID																												I	H	G	F	E	D	C	B	A					
Reset 0x00000001	0 1																																								
ID	Acce Field	Value ID	Value	Description																																					
A-H	RW OUT[i] (i=0..7)			Enable OUT endpoint i																																					
		Disable	0	Disable endpoint OUT i (no response to OUT tokens)																																					
		Enable	1	Enable endpoint OUT i (response to OUT tokens)																																					
I	RW ISOOUT			Enable ISO OUT endpoint 8																																					
		Disable	0	Disable ISO OUT endpoint 8																																					
		Enable	1	Enable ISO OUT endpoint 8																																					

6.33.13.47 EPSTALL

Address offset: 0x518

STALL endpoints

Bit number	31 30 29 28 27 26 25 24 23 22 21 20 19 18 17 16 15 14 13 12 11 10 9 8 7 6 5 4 3 2 1 0																																												
ID																												C	B				A	A	A										
Reset 0x00000000	0 0																																												
ID	Acce	Field	Value ID	Value	Description																																								
A	W	EP			Select endpoint number																																								
B	W	IO			Selects IN or OUT endpoint																																								
			Out	0	Selects OUT endpoint																																								
			In	1	Selects IN endpoint																																								
C	W	STALL			Stall selected endpoint																																								
			UnStall	0	Don't stall selected endpoint																																								
			Stall	1	Stall selected endpoint																																								

6.33.13.48 ISOSPLIT

Address offset: 0x51C

Controls the split of ISO buffers

Bit number	31 30 29 28 27 26 25 24 23 22 21 20 19 18 17 16 15 14 13 12 11 10 9 8 7 6 5 4 3 2 1 0																																																								
ID																												A	A	A	A	A	A	A	A	A	A	A	A	A	A	A	A	A	A	A	A	A	A	A	A	A	A	A	A	A	A
Reset 0x00000000	0 0																																																								
ID	Acce	Field	Value ID	Value	Description																																																				
A	RW	SPLIT			Controls the split of ISO buffers																																																				
			OneDir	0x0000	Full buffer dedicated to either ISO IN or OUT																																																				
			HalfIN	0x0080	Lower half for IN, upper half for OUT																																																				

6.33.13.49 FRAMECNTR

Address offset: 0x520

Returns the current value of the start of frame counter

Bit number	31 30 29 28 27 26 25 24 23 22 21 20 19 18 17 16 15 14 13 12 11 10 9 8 7 6 5 4 3 2 1 0																																																								
ID																												A	A	A	A	A	A	A	A	A	A	A	A	A	A	A	A	A	A	A	A	A	A	A	A	A	A	A	A	A	A
Reset 0x00000000	0 0																																																								
ID	Acce	Field	Value ID	Value	Description																																																				
A	R	FRAMECNTR			Returns the current value of the start of frame counter																																																				

6.33.13.50 LOWPOWER

Address offset: 0x52C

Controls USB peripheral low power mode during USB suspend

Bit number	31 30 29 28 27 26 25 24 23 22 21 20 19 18 17 16 15 14 13 12 11 10 9 8 7 6 5 4 3 2 1 0																														
ID	A																														
Reset 0x00000000	0 0																														
ID	Acce Field	Value ID	Value	Description																											
A	RW	LOWPOWER		Controls USB peripheral low-power mode during USB suspend																											
		ForceNormal	0	Software must write this value to exit low power mode and before performing a remote wake-up																											
		LowPower	1	Software must write this value to enter low power mode after DMA and software have finished interacting with the USB peripheral																											

6.33.13.51 ISOINCONFIG

Address offset: 0x530

Controls the response of the ISO IN endpoint to an IN token when no data is ready to be sent

Bit number	31 30 29 28 27 26 25 24 23 22 21 20 19 18 17 16 15 14 13 12 11 10 9 8 7 6 5 4 3 2 1 0																														
ID	A																														
Reset 0x00000000	0 0																														
ID	Acce Field	Value ID	Value	Description																											
A	RW	RESPONSE		Controls the response of the ISO IN endpoint to an IN token when no data is ready to be sent																											
		NoResp	0	Endpoint does not respond in that case																											
		ZeroData	1	Endpoint responds with a zero-length data packet in that case																											

6.33.13.52 EPIN[n].PTR (n=0..7)

Address offset: 0x600 + (n × 0x14)

Data pointer

Bit number	31 30 29 28 27 26 25 24 23 22 21 20 19 18 17 16 15 14 13 12 11 10 9 8 7 6 5 4 3 2 1 0																														
ID	A A																														
Reset 0x00000000	0 0																														
ID	Acce Field	Value ID	Value	Description																											
A	RW	PTR		Data pointer																											
				See the memory chapter for details about which memories are available for EasyDMA.																											

6.33.13.53 EPIN[n].MAXCNT (n=0..7)

Address offset: 0x604 + (n × 0x14)

Maximum number of bytes to transfer

Bit number	31 30 29 28 27 26 25 24 23 22 21 20 19 18 17 16 15 14 13 12 11 10 9 8 7 6 5 4 3 2 1 0																														
ID	A A A A A A A A																														
Reset 0x00000000	0 0																														
ID	Acce Field	Value ID	Value	Description																											
A	RW	MAXCNT	[64..0]	Maximum number of bytes to transfer																											

6.33.13.54 EPIN[n].AMOUNT (n=0..7)

Address offset: $0x608 + (n \times 0x14)$

Number of bytes transferred in the last transaction

Bit number	31	30	29	28	27	26	25	24	23	22	21	20	19	18	17	16	15	14	13	12	11	10	9	8	7	6	5	4	3	2	1	0																							
ID																											A	A	A	A	A	A	A	A	A	A	A	A	A	A	A	A	A	A	A	A	A	A	A	A	A	A	A	A	A
Reset	0x00000000																										0	0	0	0	0	0	0	0	0	0	0	0	0	0	0	0	0	0	0	0	0	0	0	0	0	0	0	0	0
ID	Acce	Field	Value ID	Value	Description																																																		
A	R	AMOUNT			Number of bytes transferred in the last transaction																																																		

6.33.13.55 ISOIN.PTR

Address offset: 0x6A0

Data pointer

Bit number	31	30	29	28	27	26	25	24	23	22	21	20	19	18	17	16	15	14	13	12	11	10	9	8	7	6	5	4	3	2	1	0																							
ID	A	A	A	A	A	A	A	A	A	A	A	A	A	A	A	A	A	A	A	A	A	A	A	A	A	A	A	A	A	A	A																								
Reset	0x00000000																										0	0	0	0	0	0	0	0	0	0	0	0	0	0	0	0	0	0	0	0	0	0	0	0	0	0	0	0	0
ID	Acce	Field	Value ID	Value	Description																																																		
A	RW	PTR			Data pointer																																																		
					See the memory chapter for details about which memories are available for EasyDMA.																																																		

6.33.13.56 ISOIN.MAXCNT

Address offset: 0x6A4

Maximum number of bytes to transfer

Bit number	31	30	29	28	27	26	25	24	23	22	21	20	19	18	17	16	15	14	13	12	11	10	9	8	7	6	5	4	3	2	1	0																							
ID																											A	A	A	A	A	A	A	A	A	A	A	A	A	A	A	A	A	A	A	A	A	A	A	A	A	A	A	A	A
Reset	0x00000000																										0	0	0	0	0	0	0	0	0	0	0	0	0	0	0	0	0	0	0	0	0	0	0	0	0	0	0	0	0
ID	Acce	Field	Value ID	Value	Description																																																		
A	RW	MAXCNT		[1023..1]	Maximum number of bytes to transfer																																																		

6.33.13.57 ISOIN.AMOUNT

Address offset: 0x6A8

Number of bytes transferred in the last transaction

Bit number	31	30	29	28	27	26	25	24	23	22	21	20	19	18	17	16	15	14	13	12	11	10	9	8	7	6	5	4	3	2	1	0																								
ID																											A	A	A	A	A	A	A	A	A	A	A	A	A	A	A	A	A	A	A	A	A	A	A	A	A	A	A	A	A	
Reset	0x00000000																										0	0	0	0	0	0	0	0	0	0	0	0	0	0	0	0	0	0	0	0	0	0	0	0	0	0	0	0	0	0
ID	Acce	Field	Value ID	Value	Description																																																			
A	R	AMOUNT			Number of bytes transferred in the last transaction																																																			

6.33.13.58 EPOUT[n].PTR (n=0..7)

Address offset: $0x700 + (n \times 0x14)$

Data pointer

Bit number	31	30	29	28	27	26	25	24	23	22	21	20	19	18	17	16	15	14	13	12	11	10	9	8	7	6	5	4	3	2	1	0	
ID	A	A	A	A	A	A	A	A	A	A	A	A	A	A	A	A	A	A	A	A	A	A	A	A	A	A	A	A	A	A	A	A	
Reset	0x00000000																																
Reset	0	0	0	0	0	0	0	0	0	0	0	0	0	0	0	0	0	0	0	0	0	0	0	0	0	0	0	0	0	0	0	0	0

ID	Acce Field	Value ID	Value	Description
A	RW	PTR		Data pointer

See the memory chapter for details about which memories are available for EasyDMA.

6.33.13.59 EPOUT[n].MAXCNT (n=0..7)

Address offset: 0x704 + (n × 0x14)

Maximum number of bytes to transfer

Bit number	31	30	29	28	27	26	25	24	23	22	21	20	19	18	17	16	15	14	13	12	11	10	9	8	7	6	5	4	3	2	1	0							
ID																																	A	A	A	A	A	A	A
Reset	0x00000000																																						
Reset	0	0	0	0	0	0	0	0	0	0	0	0	0	0	0	0	0	0	0	0	0	0	0	0	0	0	0	0	0	0	0	0	0	0	0	0	0	0	0

ID	Acce Field	Value ID	Value	Description
A	RW	MAXCNT	[64..0]	Maximum number of bytes to transfer

6.33.13.60 EPOUT[n].AMOUNT (n=0..7)

Address offset: 0x708 + (n × 0x14)

Number of bytes transferred in the last transaction

Bit number	31	30	29	28	27	26	25	24	23	22	21	20	19	18	17	16	15	14	13	12	11	10	9	8	7	6	5	4	3	2	1	0											
ID																																					A	A	A	A	A	A	A
Reset	0x00000000																																										
Reset	0	0	0	0	0	0	0	0	0	0	0	0	0	0	0	0	0	0	0	0	0	0	0	0	0	0	0	0	0	0	0	0	0	0	0	0	0	0	0	0	0	0	

ID	Acce Field	Value ID	Value	Description
A	R	AMOUNT		Number of bytes transferred in the last transaction

6.33.13.61 ISOOUT.PTR

Address offset: 0x7A0

Data pointer

Bit number	31	30	29	28	27	26	25	24	23	22	21	20	19	18	17	16	15	14	13	12	11	10	9	8	7	6	5	4	3	2	1	0										
ID	A	A	A	A	A	A	A	A	A	A	A	A	A	A	A	A	A	A	A	A	A	A	A	A	A	A	A	A	A	A	A	A	A	A	A	A	A	A	A	A	A	
Reset	0x00000000																																									
Reset	0	0	0	0	0	0	0	0	0	0	0	0	0	0	0	0	0	0	0	0	0	0	0	0	0	0	0	0	0	0	0	0	0	0	0	0	0	0	0	0	0	0

ID	Acce Field	Value ID	Value	Description
A	RW	PTR		Data pointer

See the memory chapter for details about which memories are available for EasyDMA.

6.33.13.62 ISOOUT.MAXCNT

Address offset: 0x7A4

Maximum number of bytes to transfer

Bit number	31	30	29	28	27	26	25	24	23	22	21	20	19	18	17	16	15	14	13	12	11	10	9	8	7	6	5	4	3	2	1	0																						
ID																								A	A	A	A	A	A	A	A	A	A	A	A	A	A	A	A	A	A	A	A	A	A	A	A	A	A	A	A	A	A	A
Reset 0x00000000	0																							0	0	0	0	0	0	0	0	0	0	0	0	0	0	0	0	0	0	0	0	0	0	0	0	0	0	0	0	0	0	0
ID	Acce	Field	Value ID	Value	Description																																																	
A	RW	MAXCNT			Maximum number of bytes to transfer																																																	

6.33.13.63 ISOOUT.AMOUNT

Address offset: 0x7A8

Number of bytes transferred in the last transaction

Bit number	31	30	29	28	27	26	25	24	23	22	21	20	19	18	17	16	15	14	13	12	11	10	9	8	7	6	5	4	3	2	1	0																						
ID																								A	A	A	A	A	A	A	A	A	A	A	A	A	A	A	A	A	A	A	A	A	A	A	A	A	A	A	A	A	A	
Reset 0x00000000	0																							0	0	0	0	0	0	0	0	0	0	0	0	0	0	0	0	0	0	0	0	0	0	0	0	0	0	0	0	0	0	0
ID	Acce	Field	Value ID	Value	Description																																																	
A	R	AMOUNT			Number of bytes transferred in the last transaction																																																	

6.33.14 Electrical specification

6.33.14.1 USB Electrical Specification

Symbol	Description	Min.	Typ.	Max.	Units
R _{USB,PU,ACTIVE}	Value of pull-up on D+, bus active (upstream device transmitting)	1425	2300	3090	Ω
R _{USB,PU,IDLE}	Value of pull-up on D+, bus idle	900	1200	1575	Ω
t _{USB,DETRST}	Minimum duration of an SE0 state to be detected as a USB reset condition				μs
f _{USB,CLK}	Frequency of local clock, USB active		48		MHz
f _{USB,TOL}	Accuracy of local clock, USB active ⁴⁰			±1000	ppm
T _{USB,JITTER}	Jitter on USB local clock, USB active			±1	ns

6.34 WDT — Watchdog timer

A countdown watchdog timer using the low-frequency clock source (LFCLK) offers configurable and robust protection against application lock-up.

The watchdog timer is started by triggering the START task.

The watchdog can be paused during long CPU sleep periods for low power applications and when the debugger has halted the CPU. The watchdog is implemented as a down-counter that generates a TIMEOUT event when it wraps over after counting down to 0. When the watchdog timer is started through the START task, the watchdog counter is loaded with the value specified in the CRV register. This counter is also reloaded with the value specified in the CRV register when a reload request is granted.

The watchdog's timeout period is given by the following equation:

$$\text{timeout [s]} = (\text{CRV} + 1) / 32768$$

⁴⁰ The local clock can be stopped during USB suspend

When started, the watchdog will automatically force the 32.768 kHz RC oscillator on as long as no other 32.768 kHz clock source is running and generating the 32.768 kHz system clock, see chapter [CLOCK — Clock control](#) on page 82.

6.34.1 Reload criteria

The watchdog has eight separate reload request registers, which shall be used to request the watchdog to reload its counter with the value specified in the CRV register. To reload the watchdog counter, the special value 0x6E524635 needs to be written to all enabled reload registers.

One or more RR registers can be individually enabled through the RREN register.

6.34.2 Temporarily pausing the watchdog

By default, the watchdog will be active counting down the down-counter while the CPU is sleeping and when it is halted by the debugger. It is possible to configure the watchdog to automatically pause while the CPU is sleeping as well as when it is halted by the debugger.

6.34.3 Watchdog reset

A TIMEOUT event will automatically lead to a watchdog reset.

See [Reset](#) on page 69 for more information about reset sources. If the watchdog is configured to generate an interrupt on the TIMEOUT event, the watchdog reset will be postponed with two 32.768 kHz clock cycles after the TIMEOUT event has been generated. Once the TIMEOUT event has been generated, the impending watchdog reset will always be effectuated.

The watchdog must be configured before it is started. After it is started, the watchdog's configuration registers, which comprise registers CRV, RREN, and CONFIG, will be blocked for further configuration.

The watchdog can be reset from several reset sources, see [Reset behavior](#) on page 70.

When the device starts running again, after a reset, or waking up from OFF mode, the watchdog configuration registers will be available for configuration again.

6.34.4 Registers

Base address	Peripheral	Instance	Description	Configuration
0x40010000	WDT	WDT	Watchdog timer	

Table 139: Instances

Register	Offset	Description
TASKS_START	0x000	Start the watchdog
EVENTS_TIMEOUT	0x100	Watchdog timeout
INTENSET	0x304	Enable interrupt
INTENCLR	0x308	Disable interrupt
RUNSTATUS	0x400	Run status
REQSTATUS	0x404	Request status
CRV	0x504	Counter reload value
RREN	0x508	Enable register for reload request registers
CONFIG	0x50C	Configuration register
RR[0]	0x600	Reload request 0
RR[1]	0x604	Reload request 1
RR[2]	0x608	Reload request 2
RR[3]	0x60C	Reload request 3
RR[4]	0x610	Reload request 4

Register	Offset	Description
RR[5]	0x614	Reload request 5
RR[6]	0x618	Reload request 6
RR[7]	0x61C	Reload request 7

Table 140: Register overview

6.34.4.1 TASKS_START

Address offset: 0x000

Start the watchdog

Bit number	31 30 29 28 27 26 25 24 23 22 21 20 19 18 17 16 15 14 13 12 11 10 9 8 7 6 5 4 3 2 1 0																															
ID																																A
Reset 0x00000000	0 0																															
ID	Acce Field	Value ID	Value	Description																												
A	W TASKS_START			Start the watchdog																												
		Trigger	1	Trigger task																												

6.34.4.2 EVENTS_TIMEOUT

Address offset: 0x100

Watchdog timeout

Bit number	31 30 29 28 27 26 25 24 23 22 21 20 19 18 17 16 15 14 13 12 11 10 9 8 7 6 5 4 3 2 1 0																															
ID																																A
Reset 0x00000000	0 0																															
ID	Acce Field	Value ID	Value	Description																												
A	RW EVENTS_TIMEOUT			Watchdog timeout																												
		NotGenerated	0	Event not generated																												
		Generated	1	Event generated																												

6.34.4.3 INTENSET

Address offset: 0x304

Enable interrupt

Bit number	31 30 29 28 27 26 25 24 23 22 21 20 19 18 17 16 15 14 13 12 11 10 9 8 7 6 5 4 3 2 1 0																															
ID																																A
Reset 0x00000000	0 0																															
ID	Acce Field	Value ID	Value	Description																												
A	RW TIMEOUT			Write '1' to enable interrupt for event TIMEOUT																												
		Set	1	Enable																												
		Disabled	0	Read: Disabled																												
		Enabled	1	Read: Enabled																												

6.34.4.4 INTENCLR

Address offset: 0x308

Disable interrupt

Bit number	31 30 29 28 27 26 25 24 23 22 21 20 19 18 17 16 15 14 13 12 11 10 9 8 7 6 5 4 3 2 1 0																														
ID	A																														
Reset	0x00000000																														
0	0 0																														
ID	Acce Field	Value ID	Value	Description																											
A	RW	TIMEOUT		Write '1' to disable interrupt for event TIMEOUT																											
		Clear	1	Disable																											
		Disabled	0	Read: Disabled																											
		Enabled	1	Read: Enabled																											

6.34.4.5 RUNSTATUS

Address offset: 0x400

Run status

Bit number	31 30 29 28 27 26 25 24 23 22 21 20 19 18 17 16 15 14 13 12 11 10 9 8 7 6 5 4 3 2 1 0																														
ID	A																														
Reset	0x00000000																														
0	0 0																														
ID	Acce Field	Value ID	Value	Description																											
A	R	RUNSTATUS		Indicates whether or not the watchdog is running																											
		NotRunning	0	Watchdog not running																											
		Running	1	Watchdog is running																											

6.34.4.6 REQSTATUS

Address offset: 0x404

Request status

Bit number	31 30 29 28 27 26 25 24 23 22 21 20 19 18 17 16 15 14 13 12 11 10 9 8 7 6 5 4 3 2 1 0																														
ID																													H G F E D C B A		
Reset	0x00000001																														
0	0 1																														
ID	Acce Field	Value ID	Value	Description																											
A-H	R	RR[i] (i=0..7)		Request status for RR[i] register																											
		DisabledOrRequested	0	RR[i] register is not enabled, or are already requesting reload																											
		EnabledAndUnrequested	1	RR[i] register is enabled, and are not yet requesting reload																											

6.34.4.7 CRV

Address offset: 0x504

Counter reload value

Bit number	31 30 29 28 27 26 25 24 23 22 21 20 19 18 17 16 15 14 13 12 11 10 9 8 7 6 5 4 3 2 1 0																														
ID	A A																														
Reset	0xFFFFFFFF																														
1	1 1																														
ID	Acce Field	Value ID	Value	Description																											
A	RW	CRV	[0xF..0xFFFFFFFF]	Counter reload value in number of cycles of the 32.768 kHz clock																											

6.34.4.8 RREN

Address offset: 0x508

Enable register for reload request registers

Bit number	31	30	29	28	27	26	25	24	23	22	21	20	19	18	17	16	15	14	13	12	11	10	9	8	7	6	5	4	3	2	1	0		
ID																											H	G	F	E	D	C	B	A
Reset 0x00000001	0 1																																	
ID	Acce	Field	Value ID	Value	Description																													
A-H	RW	RR[i] (i=0..7)			Enable or disable RR[i] register																													
			Disabled	0	Disable RR[i] register																													
			Enabled	1	Enable RR[i] register																													

6.34.4.9 CONFIG

Address offset: 0x50C

Configuration register

Bit number	31	30	29	28	27	26	25	24	23	22	21	20	19	18	17	16	15	14	13	12	11	10	9	8	7	6	5	4	3	2	1	0
ID																											C	A				
Reset 0x00000001	0 1																															
ID	Acce	Field	Value ID	Value	Description																											
A	RW	SLEEP			Configure the watchdog to either be paused, or kept running, while the CPU is sleeping																											
			Pause	0	Pause watchdog while the CPU is sleeping																											
			Run	1	Keep the watchdog running while the CPU is sleeping																											
C	RW	HALT			Configure the watchdog to either be paused, or kept running, while the CPU is halted by the debugger																											
			Pause	0	Pause watchdog while the CPU is halted by the debugger																											
			Run	1	Keep the watchdog running while the CPU is halted by the debugger																											

6.34.4.10 RR[n] (n=0..7)

Address offset: 0x600 + (n × 0x4)

Reload request n

Bit number	31	30	29	28	27	26	25	24	23	22	21	20	19	18	17	16	15	14	13	12	11	10	9	8	7	6	5	4	3	2	1	0
ID	A	A	A	A	A	A	A	A	A	A	A	A	A	A	A	A	A	A	A	A	A	A	A	A	A	A	A	A	A	A	A	
Reset 0x00000000	0 0																															
ID	Acce	Field	Value ID	Value	Description																											
A	W	RR			Reload request register																											
			Reload	0x6E524635	Value to request a reload of the watchdog timer																											

6.34.5 Electrical specification

6.34.5.1 Watchdog Timer Electrical Specification

Symbol	Description	Min.	Typ.	Max.	Units
t _{WDT}	Time out interval	458		36	μs

7 Hardware and layout

7.1 Pin assignments

The pin assignment figures and tables describe the pinouts for the product variants of the chip.

The nRF52833 device provides flexibility regarding GPIO pin routing and configuration. However, some pins have limitations or recommendations for pin configurations and uses.

7.1.1 aQFN73 ball assignments

The ball assignment figure and table in the following section describe the assignments for this variant of the chip.

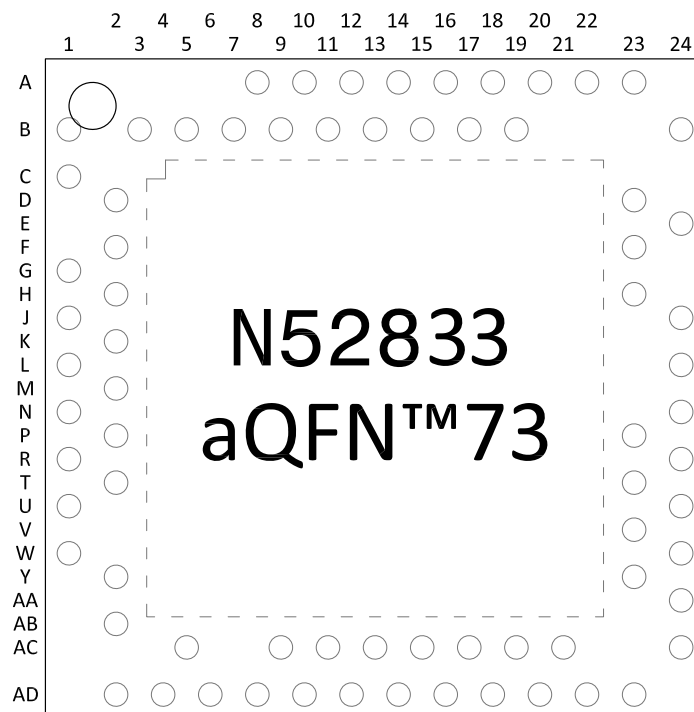


Figure 194: aQFN™73 ball assignments, top view

Pin	Name	Function	Description	Recommended usage
A8	P0.31	Digital I/O	General purpose I/O	Standard drive, low frequency I/O only
	AIN7	Analog input	Analog input	
A10	P0.29	Digital I/O	General purpose I/O	Standard drive, low frequency I/O only
	AIN5	Analog input	Analog input	
A12	P0.02	Digital I/O	General purpose I/O	Standard drive, low frequency I/O only
	AIN0	Analog input	Analog input	
A14	P0.19	Digital I/O	General purpose I/O	Standard drive, low frequency I/O only
A16	P1.05	Digital I/O	General purpose I/O	Standard drive, low frequency I/O only
A18	N.C.			
A20	P0.25	Digital I/O	General purpose I/O	Standard drive, low frequency I/O only
A22	VDD	Power	Power supply	
A23	XC2	Analog input	Connection for 32 MHz crystal	
B1	VDD	Power	Power supply	
B3	DCC	Power	DC/DC converter output	
B5	DEC4	Power	1.3 V regulator supply decoupling	Must be connected to DEC6 (pin E24)
B7	VSS	Power	Ground	
B9	P0.30	Digital I/O	General purpose I/O	Standard drive, low frequency I/O only
	AIN6	Analog input	Analog input	
B11	P0.28	Digital I/O	General purpose I/O	Standard drive, low frequency I/O only
	AIN4	Analog input	Analog input	
B13	P0.03	Digital I/O	General purpose I/O	Standard drive, low frequency I/O only
	AIN1	Analog input	Analog input	
B15	P1.03	Digital I/O	General purpose I/O	Standard drive, low frequency I/O only
B17	P0.23	Digital I/O	General purpose I/O	Standard drive, low frequency I/O only
B19	N.C.			
B24	XC1	Analog input	Connection for 32 MHz crystal	
C1	DEC1	Power	1.1 V regulator supply decoupling	
D2	P0.00	Digital I/O	General purpose I/O	
	XL1	Analog input	Connection for 32.768 kHz crystal	
D23	DEC3	Power	Power supply, decoupling	
E24	DEC6	Power	1.3 V regulator supply decoupling	Must be connected to DEC4 (pin B5)
F2	P0.01	Digital I/O	General purpose I/O	
	XL2	Analog input	Connection for 32.768 kHz crystal	
F23	VSS_PA	Power	Ground (radio supply)	
G1	P0.26	Digital I/O	General purpose I/O	
H2	P0.27	Digital I/O	General purpose I/O	
H23	ANT	RF	Single-ended radio antenna connection	See Reference circuitry on page 570 for guidelines on how to ensure good RF performance
J1	P0.04	Digital I/O	General purpose I/O	
	AIN2	Analog input	Analog input	
J24	P0.10	Digital I/O	General purpose I/O	Standard drive, low frequency I/O only
	NFC2	NFC input	NFC antenna connection	

Pin	Name	Function	Description	Recommended usage
K2	P0.05	Digital I/O	General purpose I/O	
	AIN3	Analog input	Analog input	
L1	P0.06	Digital I/O	General purpose I/O	
L24	P0.09	Digital I/O	General purpose I/O	Standard drive, low frequency I/O only
	NFC1	NFC input	NFC antenna connection	
M2	P0.07	Digital I/O	General purpose I/O	
	TRACECLK	Trace clock	Trace buffer clock	
N1	P0.08	Digital I/O	General purpose I/O	
N24	DEC5	Power	1.3 V regulator supply decoupling for build codes Axx and earlier.	
	Not connected		Not connected for build codes Bxx and later.	
P2	P1.08	Digital I/O	General purpose I/O	
P23	P1.07	Digital I/O	General purpose I/O	Standard drive, low frequency I/O only
R1	P1.09	Digital I/O	General purpose I/O	
	TRACEDATA3	Trace data	Trace buffer TRACEDATA[3]	
R24	P1.06	Digital I/O	General purpose I/O	Standard drive, low frequency I/O only
T2	P0.11	Digital I/O	General purpose I/O	
	TRACEDATA2	Trace data	Trace buffer TRACEDATA[2]	
T23	N.C.			
U1	P0.12	Digital I/O	General purpose I/O	
	TRACEDATA1	Trace data	Trace buffer TRACEDATA[1]	
U24	P1.04	Digital I/O	General purpose I/O	Standard drive, low frequency I/O only
V23	N.C.			
W1	VDD	Power	Power supply	
W24	P1.02	Digital I/O	General purpose I/O	Standard drive, low frequency I/O only
Y2	VDDH	Power	High voltage power supply	
Y23	P1.01	Digital I/O	General purpose I/O	Standard drive, low frequency I/O only
AA24	SWDCLK	Debug	Serial wire debug clock input for debug and programming	
AB2	N.C.			
AC5	DECUSB	Power	USB 3.3 V regulator supply decoupling	
AC9	P0.14	Digital I/O	General purpose I/O	
AC11	P0.16	Digital I/O	General purpose I/O	
AC13	P0.18	Digital I/O	General purpose I/O	
	nRESET		Configurable as pin RESET	
AC15	N.C.			
AC17	P0.21	Digital I/O	General purpose I/O	
AC19	N.C.			
AC21	N.C.			
AC24	SWDIO	Debug	Serial wire debug I/O for debug and programming	
AD2	VBUS	Power	5 V input for USB 3.3 V regulator	
AD4	D-	USB	USB D-	
AD6	D+	USB	USB D+	
AD8	P0.13	Digital I/O	General purpose I/O	
AD10	P0.15	Digital I/O	General purpose I/O	
AD12	P0.17	Digital I/O	General purpose I/O	

Pin	Name	Function	Description	Recommended usage
AD14	VDD	Power	Power supply	
AD16	P0.20	Digital I/O	General purpose I/O	
AD18	P0.22	Digital I/O	General purpose I/O	
AD20	P0.24	Digital I/O	General purpose I/O	
AD22	P1.00	Digital I/O	General purpose I/O	
	TRACEDATA0	Trace data	Trace buffer TRACEDATA[0] Serial wire output (SWO)	
AD23	VDD	Power	Power supply	
Die pad	VSS	Power	Ground pad	Exposed die pad must be connected to ground (VSS) for proper device operation

Table 141: aQFN™ 73 ball assignments

Note: For more information on standard drive, see [GPIO — General purpose input/output](#) on page 141. Low frequency I/O is a signal with a frequency up to 10 kHz.

Note: If SPIM0, SPIM1, or SPIM2 is used with 8 Mbps data rate, the recommended GPIOs for the clock signal (SCK) are P0.27, P1.08, P0.04, and P1.09.

7.1.2 QFN40 pin assignments

The pin assignment figure and table describe the assignments for this variant of the chip.

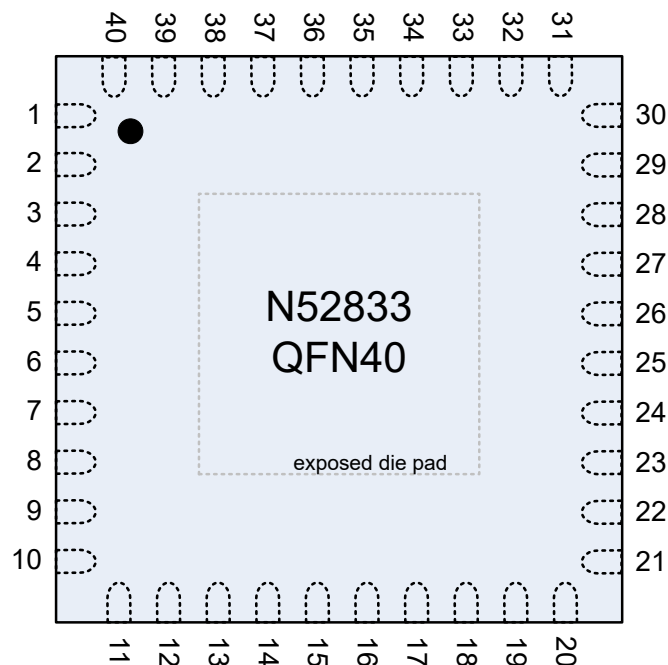


Figure 195: QFN40 pin assignments, top view

Pin	Name	Function	Description	Recommended usage
Left side of the chip				
1	DEC1	Power	1.1 V Digital supply decoupling	
2	P0.00	Digital I/O	General purpose I/O pin.	
	XL1	Analog input	Connection for 32.768 kHz crystal	
3	P0.01	Digital I/O	General purpose I/O pin	
	XL2	Analog input	Connection for 32.768 kHz crystal	
4	P0.04	Digital I/O	General purpose I/O pin	
	AIN2	Analog input	Analog input	
5	P0.05	Digital I/O	General purpose I/O pin	
	AIN3	Analog input	Analog input	
6	P1.09	Digital I/O	General purpose I/O pin	
7	P0.11	Digital I/O	General purpose I/O pin	
8	VDD	Power	Power supply	
9	VDDH	Power	High voltage power supply	
10	VBUS	Power	5 V input for USB 3.3 V regulator	
Bottom side of the chip				
11	DECUSB	Power	USB 3.3 V regulator supply decoupling	
12	D-	USB	USB D-	
13	D+	USB	USB D+	
14	P0.15	Digital I/O	General purpose I/O	
15	P0.17	Digital I/O	General purpose I/O	
16	P0.18	Digital I/O	General purpose I/O	
	nRESET		Configurable as pin RESET	
17	P0.20	Digital I/O	General purpose I/O	
18	VDD	Power	Power supply	
19	SWDIO	Debug	Serial wire debug I/O for debug and programming	
20	SWDCLK	Debug	Serial wire debug clock input for debug and programming	
Right side of the chip				
21	DEC5	Power	1.3 V regulator supply decoupling for build codes Axx and earlier.	
	Not connected		Not connected for build codes Bxx and later.	
22	P0.09	Digital I/O	General purpose I/O	Standard drive, low frequency I/O only
	NFC1	NFC input	NFC antenna connection	
23	P0.10	Digital I/O	General purpose I/O	Standard drive, low frequency I/O only
	NFC2	NFC input	NFC antenna connection	
24	ANT	RF	Single-ended radio antenna connection	See Reference circuitry on page 570 for guidelines on how to ensure good RF performance
25	VSS_PA	Power	Ground (radio supply)	
26	DEC6	Power	1.3 V regulator supply decoupling	Must be connected to DEC4 (pin 38)
27	DEC3	Power	Power supply, decoupling	
28	XC1	Analog input	Connection for 32 MHz crystal	
29	XC2	Analog input	Connection for 32 MHz crystal	
30	VDD	Power	Power supply	
Top side of the chip				
31	P0.03	Digital I/O	General purpose I/O pin	Standard drive, low frequency I/O only
	AIN1	Analog input	Analog input	

Pin	Name	Function	Description	Recommended usage
32	P0.02	Digital I/O	General purpose I/O pin	Standard drive, low frequency I/O only
	AIN0	Analog input	Analog input	
33	P0.28	Digital I/O	General purpose I/O pin	Standard drive, low frequency I/O only
	AIN4	Analog input	Analog input	
34	P0.29	Digital I/O	General purpose I/O pin	Standard drive, low frequency I/O only
	AIN5	Analog input	Analog input	
35	P0.30	Digital I/O	General purpose I/O pin	Standard drive, low frequency I/O only
	AIN6	Analog input	Analog input	
36	P0.31	Digital I/O	General purpose I/O pin	
	AIN7	Analog input	Analog input	
37	VSS	Power	Ground	
38	DEC4	Power	1.3 V regulator supply decoupling	Must be connected to DEC6 (pin 26)
39	DCC	Power	DC/DC converter output	
40	VDD	Power	Power supply	
Backside of the the chip				
Die pad	VSS	Power	Ground pad	Exposed die pad must be connected to ground (VSS) for proper device operation

Table 142: QFN40 pin assignments

Note: For more information on standard drive, see [GPIO — General purpose input/output](#) on page 141. Low frequency I/O is a signal with a frequency up to 10 kHz.

Note: If SPIM0, SPIM1, or SPIM2 is used with 8 Mbps data rate, the recommended GPIOs for the clock signal (SCK) are P1.09, P0.04, and P0.31.

7.1.3 WLCSP ball assignments

The ball assignment figure and table describe the assignments for this variant of the chip.

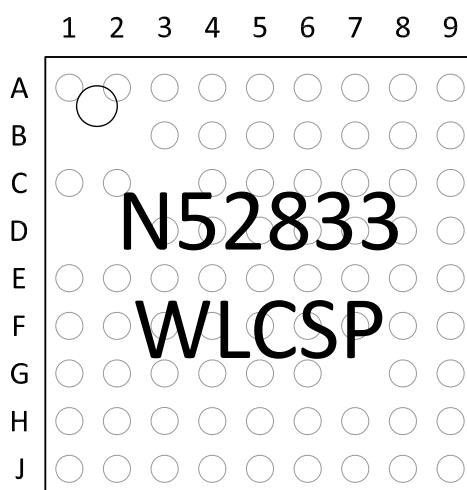


Figure 196: WLCSP ball assignments, top view

Pin	Name	Function	Description	Recommended usage
A1	XC1	Analog input	Connection for 32 MHz crystal	
A2	XC2	Analog input	Connection for 32 MHz crystal	
A3	P0.25	Digital I/O	General purpose I/O	Standard drive, low frequency I/O only
A4	P0.03	Digital I/O	General purpose I/O pin	Standard drive, low frequency I/O only
	AIN1	Analog input	Analog input	
A5	P0.29	Digital I/O	General purpose I/O pin	Standard drive, low frequency I/O only
	AIN5	Analog input	Analog input	
A6	DEC4	Power	1.3 V regulator supply decoupling	Must be connected to DEC6 (ball C2)
A7	VSS	Power	Ground	
A8	DCC	Power	DC/DC converter output	
A9	VDD	Power	Power supply	
B3	VDD	Power	Power supply	
B4	P1.03	Digital I/O	General purpose I/O	Standard drive, low frequency I/O only
B5	P0.30	Digital I/O	General purpose I/O pin	Standard drive, low frequency I/O only
	AIN6	Analog input	Analog input	
B6	P0.31	Digital I/O	General purpose I/O pin	Standard drive, low frequency I/O only
	AIN7	Analog input	Analog input	
B7	P0.01	Digital I/O	General purpose I/O pin	
	XL2	Analog input	Connection for 32.768 kHz crystal	
B8	P0.00	Digital I/O	General purpose I/O pin.	
	XL1	Analog input	Connection for 32.768 kHz crystal	
B9	DEC1	Power	1.1 V Digital supply decoupling	
C1	VSS_PA	Power	Ground (radio supply)	
C2	DEC6	Power	1.3 V regulator supply decoupling	Must be connected to DEC4 (ball A6)
C4	P1.05	Digital I/O	General purpose I/O	Standard drive, low frequency I/O only
C5	P0.19	Digital I/O	General purpose I/O	Standard drive, low frequency I/O only
C6	P0.02	Digital I/O	General purpose I/O pin	Standard drive, low frequency I/O only
	AIN0	Analog input	Analog input	
C7	P0.28	Digital I/O	General purpose I/O pin	Standard drive, low frequency I/O only
	AIN4	Analog input	Analog input	
C8	P0.27	Digital I/O	General purpose I/O	
C9	P0.26	Digital I/O	General purpose I/O	
D3	VSS	Power	Ground	
D4	VSS	Power	Ground	
D5	VSS	Power	Ground	
D6	VSS	Power	Ground	
D7	P0.23	Digital I/O	General purpose I/O	Standard drive, low frequency I/O only
D8	P0.04	Digital I/O	General purpose I/O pin	
	AIN2	Analog input	Analog input	
D9	P0.05	Digital I/O	General purpose I/O pin	
	AIN3	Analog input	Analog input	

Pin	Name	Function	Description	Recommended usage
E1	ANT	RF	Single-ended radio antenna connection	See Reference circuitry on page 570 for guidelines on how to ensure good RF performance
E2	P0.10	Digital I/O	General purpose I/O	Standard drive, low frequency I/O only
	NFC2	NFC input	NFC antenna connection	
E3	P1.06	Digital I/O	General purpose I/O	Standard drive, low frequency I/O only
E4	VSS	Power	Ground	
E5	VSS	Power	Ground	
E6	VSS	Power	Ground	
E7	P0.08	Digital I/O	General purpose I/O	
E8	P0.07	Digital I/O	General purpose I/O	
	TRACECLK	Trace clock	Trace buffer clock	
E9	P0.06	Digital I/O	General purpose I/O	
F1	DEC5	Power	1.3 V regulator supply decoupling for build codes Axx and earlier.	
	Not connected		Not connected for build codes Bxx and later.	
F2	P0.09	Digital I/O	General purpose I/O	Standard drive, low frequency I/O only
	NFC1	NFC input	NFC antenna connection	
F3	P1.01	Digital I/O	General purpose I/O	Standard drive, low frequency I/O only
F4	VSS	Power	Ground	
F5	VSS	Power	Ground	
F6	VSS	Power	Ground	
F7	P0.13	Digital I/O	General purpose I/O	
F8	P1.09	Digital I/O	General purpose I/O	
	TRACEDATA3	Trace data	Trace buffer TRACEDATA[3]	
F9	P1.08	Digital I/O	General purpose I/O	
G1	P1.07	Digital I/O	General purpose I/O	Standard drive, low frequency I/O only
G2	P1.04	Digital I/O	General purpose I/O	Standard drive, low frequency I/O only
G3	P0.24	Digital I/O	General purpose I/O	Standard drive, low frequency I/O only
G4	P0.21	Digital I/O	General purpose I/O	
G5	P0.20	Digital I/O	General purpose I/O	
G6	P0.16	Digital I/O	General purpose I/O	
G8	P0.11	Digital I/O	General purpose I/O	
	TRACEDATA2	Trace data	Trace buffer TRACEDATA[2]	
G9	VDD	Power	Power supply	
H1	P1.02	Digital I/O	General purpose I/O	Standard drive, low frequency I/O only
H2	SWDCLK	Debug	Serial wire debug clock input for debug and programming	
H3	P1.00	Digital I/O	General purpose I/O	
	TRACEDATA0	Trace data	Trace buffer TRACEDATA[0] Serial wire output (SWO)	
H4	P0.18	Digital I/O	General purpose I/O	
	nRESET		Configurable as pin RESET	
H5	P0.15	Digital I/O	General purpose I/O	
H6	P0.12	Digital I/O	General purpose I/O	

Pin	Name	Function	Description	Recommended usage
	TRACEDATA1	Trace data	Trace buffer TRACEDATA[1]	
H7	D-	USB	USB D-	
H8	VBUS	Power	5 V input for USB 3.3 V regulator	
H9	VDDH	Power	High voltage power supply	
J1	VDD	Power	Power supply	
J2	SWDIO	Debug	Serial wire debug I/O for debug and programming	
J3	P0.22	Digital I/O	General purpose I/O	
J4	VDD	Power	Power supply	
J5	P0.17	Digital I/O	General purpose I/O	
J6	P0.14	Digital I/O	General purpose I/O	
J7	D+	USB	USB D+	
J8	DECUSB	Power	USB 3.3 V regulator supply decoupling	
J9	VSS	Power	Ground	

Table 143: WLCSP ball assignments

Note: For more information on standard drive, see [GPIO — General purpose input/output](#) on page 141. Low frequency I/O is a signal with a frequency up to 10 kHz.

Note: If SPIM0, SPIM1, or SPIM2 is used with 8 Mbps data rate, the recommended GPIOs for the clock signal (SCK) are P0.27, P1.08, P0.04, and P1.09.

7.2 Mechanical specifications

The mechanical specifications for the packages show the dimensions in millimeters.

7.2.1 aQFN73 7 x 7 mm package

Dimensions in millimeters for the aQFN™ 73 7 x 7 mm package.

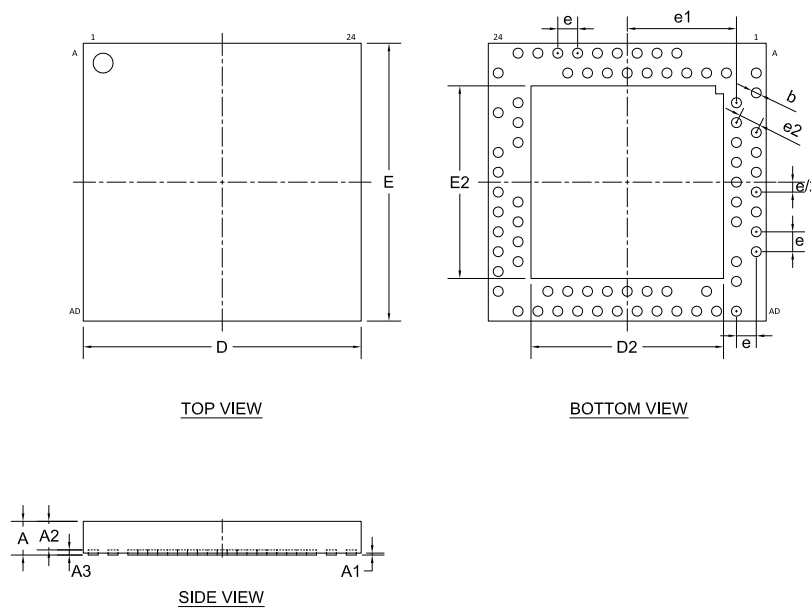


Figure 197: aQFN™ 73 7 x 7 mm package

	A	A1	A2	A3	b	D, E	D2, E2	e	e1	e2
Min.		0.02			0.20	6.90	4.75			
Nom.		0.05	0.675	0.13	0.25	7.00	4.85	0.50	2.75	0.559
Max.	0.85	0.08			0.30	7.10	4.95			

Table 144: aQFN™73 dimensions in millimeters

7.2.2 QFN40 5 x 5 mm package

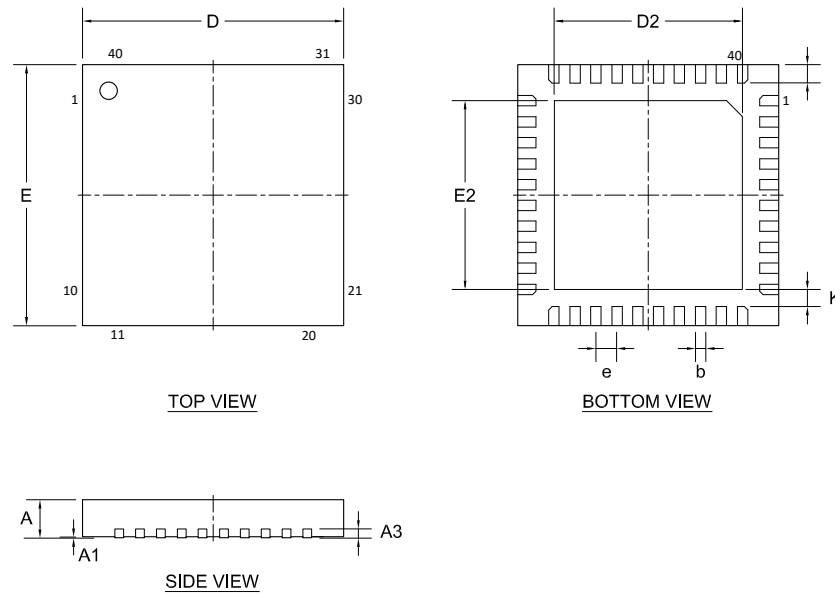


Figure 198: QFN40 5 x 5 mm package

	A	A1	A3	b	D, E	D2, E2	e	K	L
Min.	0.80	0.00		0.15	4.90	3.50		0.20	0.30
Nom.	0.85	0.035	0.203	0.20	5.00	3.60	0.40		0.35
Max.	0.90	0.05		0.25	5.10	3.70			0.40

Table 145: QFN40 dimensions in millimeters

7.2.3 WLCSP 3.175 x 3.175 mm package

Dimensions in millimeters for the WLCSP 3.175 x 3.175 mm package.

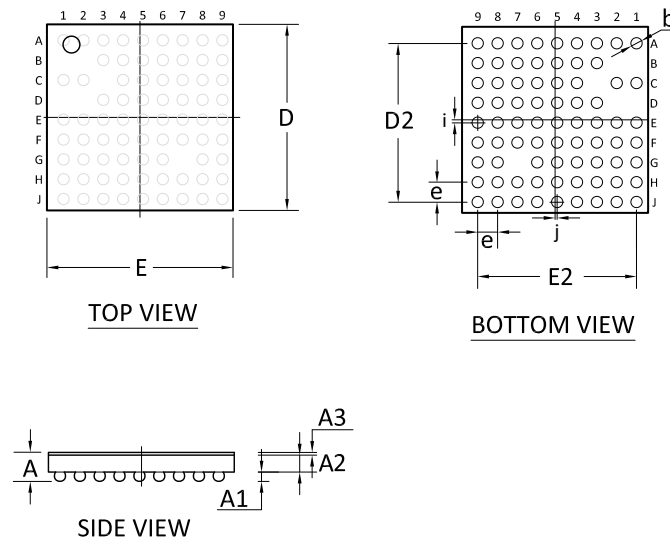


Figure 199: WLCSP 3.175 x 3.175 mm package

	A	A1	A2	A3	b	D	E	D2	E2	e	i	j
Min.	0.464	0.148	0.281	0.022	0.184	3.172	3.172					
Nom.	0.489		0.300	0.025	0.200	3.175	3.175	2.800	2.800	0.350	0.025	0.025
Max.	0.514	0.180	0.319	0.028	0.244	3.178	3.178					

Table 146: WLCSP dimensions in millimeters

7.3 Reference circuitry

To ensure good RF performance when designing PCBs, it is highly recommended to use the PCB layouts and component values provided by Nordic Semiconductor.

Documentation for the different package reference circuits, including Altium Designer files, PCB layout files, and PCB production files can be downloaded from the product page for the nRF52833 on www.nordicsemi.com.

In this section there are reference circuits for QIAA aQFN™ 73, CJAA WLCSP, and QDAA QFN40 packages, showing the components and component values to support on-chip features in a design.

Note: This is not a complete list of configurations, but all required circuitry is shown for further configurations.

Some general guidance is summarized here:

- When supplying power from a USB source only, VBUS must be connected to VDDH if USB is to be used.
- Components required for DC/DC function are only needed if DC/DC mode is enabled for that regulator.
- NFC can be used in any configuration.
- USB can be used in any configuration as long as VBUS is supplied by the USB host.
- The schematics include an optional series resistor on the USB supply for improved immunity to transient overvoltage during VBUS connection. Using the series resistor is recommended for new designs.

Circuit configurations for QIAA aQFN™ 73

Config no.	Supply configuration		Features that can be enabled for each configuration example		
	VDDH	VDD	DCDCEN1	USB	NFC
Config. 1	USB (VDDH = VBUS)	N/A	No	Yes	No
Config. 2	Battery/Ext. regulator	N/A	No	Yes	No
Config. 3	N/A	Battery/Ext. regulator	No	Yes	No
Config. 4	Battery/Ext. regulator	N/A	Yes	Yes	No
Config. 5	N/A	Battery/Ext. regulator	Yes	Yes	Yes
Config. 6	N/A	Battery/Ext. regulator	No	No	No

Table 147: Circuit configurations

Circuit configurations for QDAA QFN40

Config no.	Supply configuration		Features that can be enabled for each configuration example		
	VDDH	VDD	DCDCEN1	USB	NFC
Config. 1	USB (VDDH = VBUS)	N/A	No	Yes	No
Config. 2	Battery/Ext. regulator	N/A	No	Yes	No
Config. 3	N/A	Battery/Ext. regulator	No	Yes	No
Config. 4	Battery/Ext. regulator	N/A	Yes	Yes	No
Config. 5	N/A	Battery/Ext. regulator	Yes	Yes	Yes
Config. 6	N/A	Battery/Ext. regulator	No	No	No

Table 148: Circuit configurations

Circuit configurations for CJAA WLCSP

Config no.	Supply configuration		Features that can be enabled for each configuration example		
	VDDH	VDD	DCDCEN1	USB	NFC
Config. 1	USB (VDDH = VBUS)	N/A	No	Yes	No
Config. 2	Battery/Ext. regulator	N/A	No	Yes	No
Config. 3	N/A	Battery/Ext. regulator	No	Yes	No
Config. 4	Battery/Ext. regulator	N/A	Yes	Yes	No
Config. 5	N/A	Battery/Ext. regulator	Yes	Yes	Yes
Config. 6	N/A	Battery/Ext. regulator	No	No	No

Table 149: Circuit configurations

7.3.1 Circuit configuration no. 1 for QIAA aQFN73

Circuit configuration number 1 for QIAA aQFN™ 73, showing the schematic and the bill of materials table.

Config no.	Supply configuration		Enabled features		
	VDDH	VDD	DCDCEN1	USB	NFC
Config. 1	USB (VDDH = VBUS)	N/A	No	Yes	No

Table 150: Configuration summary for circuit configuration no. 1

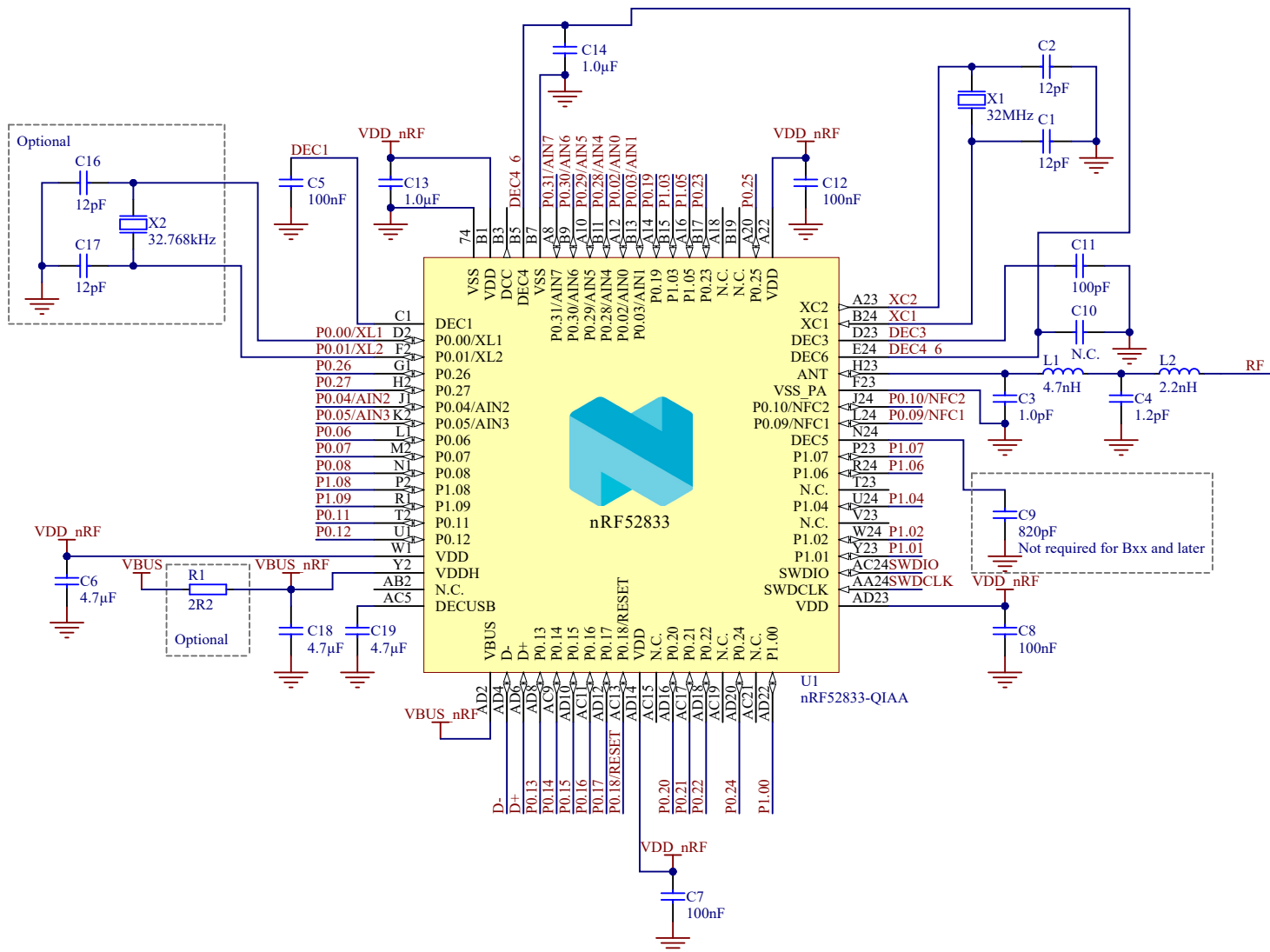


Figure 200: Circuit configuration no. 1 schematic

Note: For PCB reference layouts, see the product page for the nRF52833 on www.nordicsemi.com.

Designator	Value	Description	Footprint
C1, C2, C16, C17	12 pF	Capacitor, NPO, $\pm 2\%$	0402
C3	1.0 pF	Capacitor, NPO, $\pm 5\%$	0402
C4	1.2 pF	Capacitor, NPO, $\pm 5\%$	0402
C5, C7, C8, C12	100 nF	Capacitor, X7R, $\pm 10\%$	0402
C6, C19	4.7 μ F	Capacitor, X7R, $\pm 10\%$	0603
C9	820 pF	Capacitor, NPO, $\pm 5\%$ Not required for Bxx and later	0402
C10	N.C.	Not mounted	0402
C11	100 pF	Capacitor, NPO, $\pm 5\%$	0402
C13, C14	1.0 μ F	Capacitor, X7R, $\pm 10\%$	0603
C18	4.7 μ F	Capacitor, X7S, $\pm 10\%$	0603
L1	4.7 nH	High frequency chip inductor $\pm 5\%$	0402
L2	2.2 nH	High frequency chip inductor $\pm 5\%$	0402
R1	2R2	Resistor, $\pm 1\%$, 0.063 W	0402
U1	nRF52833-QIAA	Multiprotocol <i>Bluetooth</i> [®] low energy, IEEE 802.15.4, ANT, and 2.4 GHz proprietary System on Chip	AQFN-73
X1	32 MHz	Crystal SMD 2016, 32 MHz, Cl=8 pF, Total Tol: ± 40 ppm	XTAL_2016
X2	32.768 kHz	Crystal SMD 3215, 32.768 kHz, Cl=9 pF, Total Tol: ± 50 ppm	XTAL_3215

Table 151: Bill of material for circuit configuration no. 1

7.3.2 Circuit configuration no. 2 for QIAA aQFN73

Circuit configuration number 2 for QIAA aQFN[™] 73, showing the schematic and the bill of materials table.

Config no.	Supply configuration		Enabled features		
	VDDH	VDD	DCDCEN1	USB	NFC
Config. 2	Battery/Ext. regulator	N/A	No	Yes	No

Table 152: Configuration summary for circuit configuration no. 2

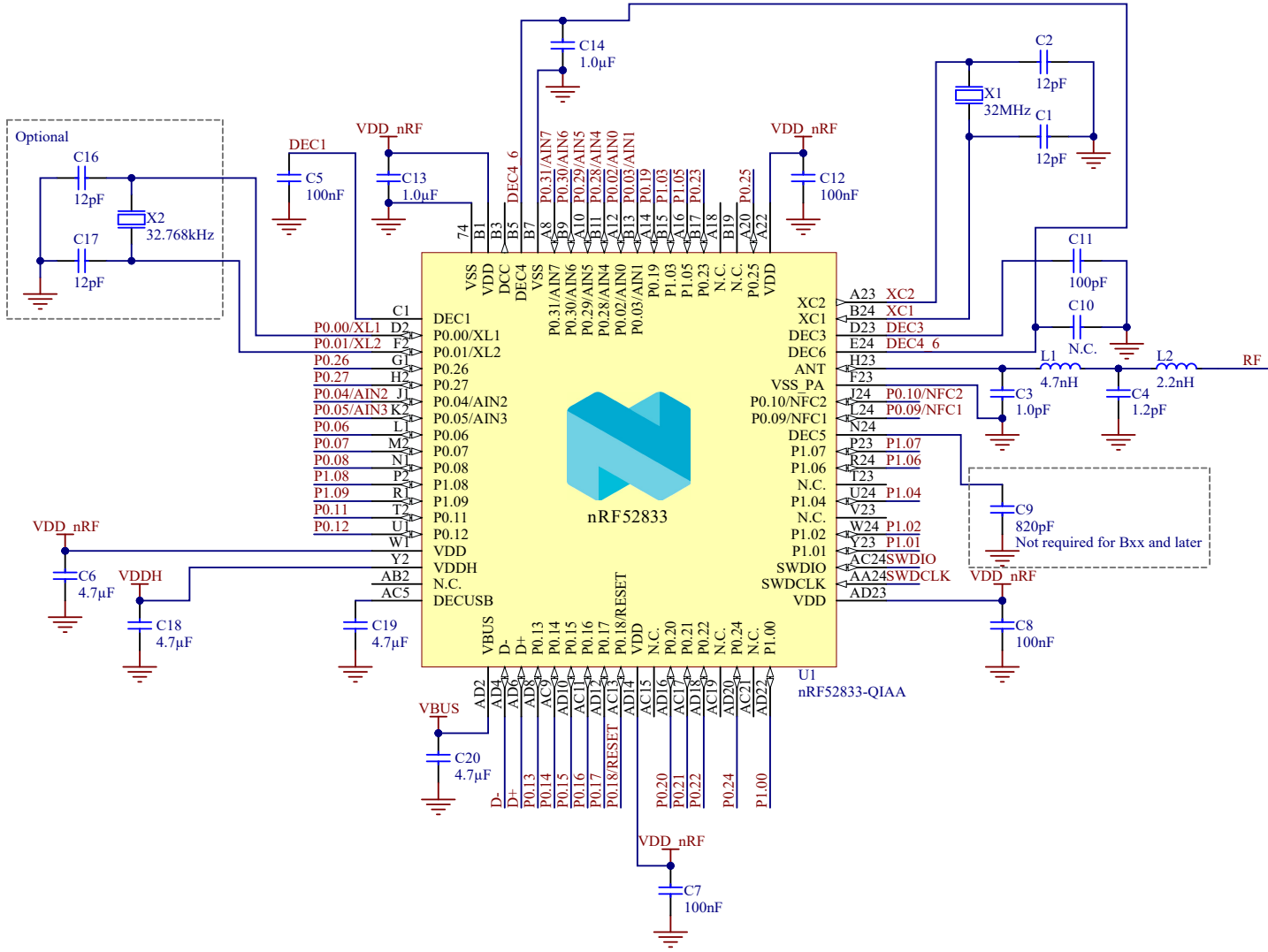


Figure 201: Circuit configuration no. 2 schematic

Note: For PCB reference layouts, see the product page for the nRF52833 on www.nordicsemi.com.

Designator	Value	Description	Footprint
C1, C2, C16, C17	12 pF	Capacitor, NPO, $\pm 2\%$	0402
C3	1.0 pF	Capacitor, NPO, $\pm 5\%$	0402
C4	1.2 pF	Capacitor, NPO, $\pm 5\%$	0402
C5, C7, C8, C12	100 nF	Capacitor, X7R, $\pm 10\%$	0402
C6, C19	4.7 μ F	Capacitor, X7R, $\pm 10\%$	0603
C9	820 pF	Capacitor, NPO, $\pm 5\%$ Not required for Bxx and later	0402
C10	N.C.	Not mounted	0402
C11	100 pF	Capacitor, NPO, $\pm 5\%$	0402
C13, C14	1.0 μ F	Capacitor, X7R, $\pm 10\%$	0603
C18, C19	4.7 μ F	Capacitor, X7S, $\pm 10\%$	0603
L1	4.7 nH	High frequency chip inductor $\pm 5\%$	0402
L2	2.2 nH	High frequency chip inductor $\pm 5\%$	0402
U1	nRF52833-QIAA	Multiprotocol <i>Bluetooth</i> [®] low energy, IEEE 802.15.4, ANT, and 2.4 GHz proprietary System on Chip	AQFN-73
X1	32 MHz	Crystal SMD 2016, 32 MHz, Cl=8 pF, Total Tol: ± 40 ppm	XTAL_2016
X2	32.768 kHz	Crystal SMD 3215, 32.768 kHz, Cl=9 pF, Total Tol: ± 50 ppm	XTAL_3215

Table 153: Bill of material for circuit configuration no. 2

7.3.3 Circuit configuration no. 3 for QIAA aQFN73

Circuit configuration number 3 for QIAA aQFN[™] 73, showing the schematic and the bill of materials table.

Config no.	Supply configuration		Enabled features		
	VDDH	VDD	DCDCEN1	USB	NFC
Config. 3	N/A	Battery/Ext. regulator	No	Yes	No

Table 154: Configuration summary for circuit configuration no. 3

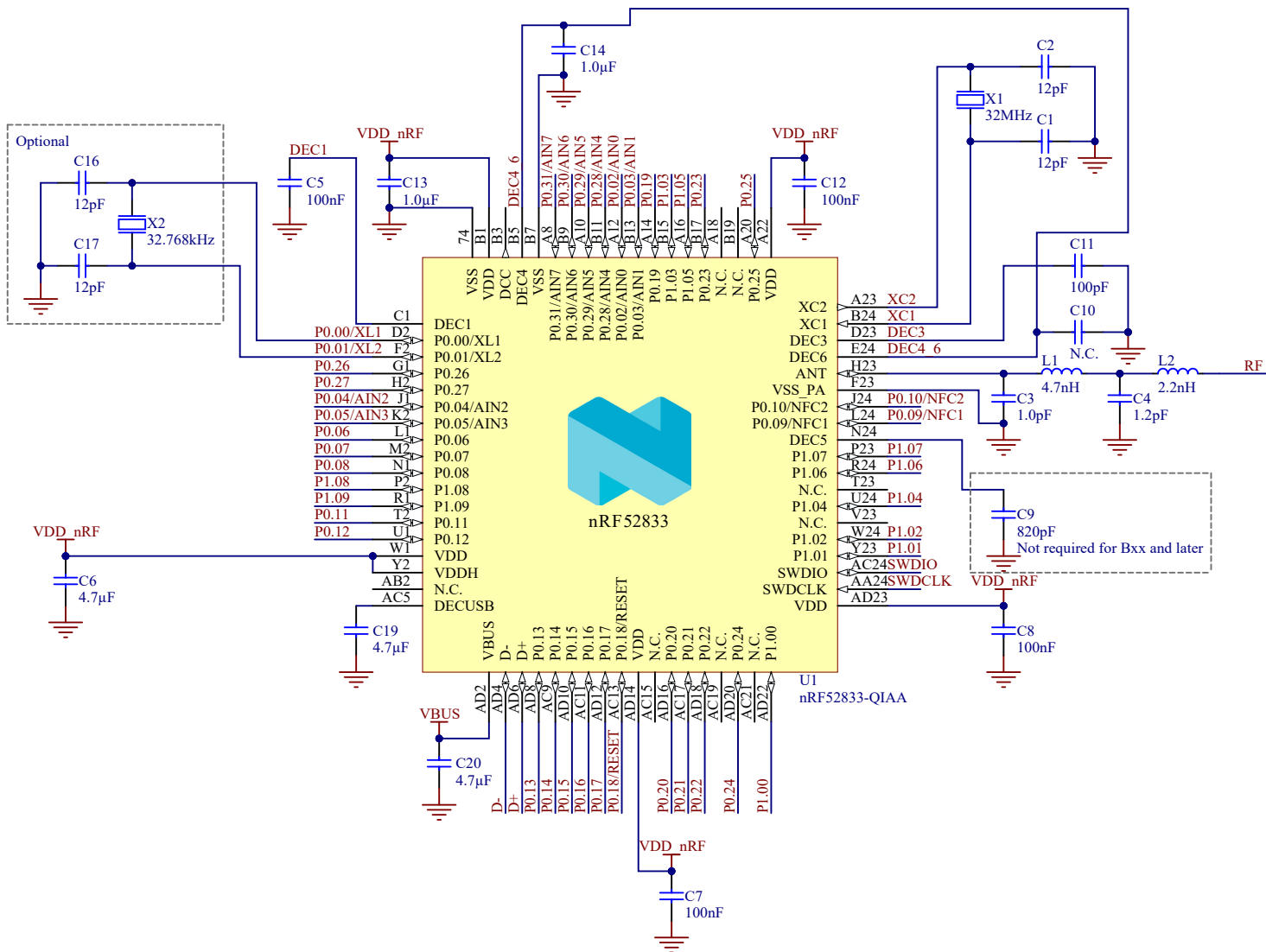


Figure 202: Circuit configuration no. 3 schematic

Note: For PCB reference layouts, see the product page for the nRF52833 on www.nordicsemi.com.

Designator	Value	Description	Footprint
C1, C2, C16, C17	12 pF	Capacitor, NPO, $\pm 2\%$	0402
C3	1.0 pF	Capacitor, NPO, $\pm 5\%$	0402
C4	1.2 pF	Capacitor, NPO, $\pm 5\%$	0402
C5, C7, C8, C12	100 nF	Capacitor, X7R, $\pm 10\%$	0402
C6, C19	4.7 μ F	Capacitor, X7R, $\pm 10\%$	0603
C9	820 pF	Capacitor, NPO, $\pm 5\%$ Not required for Bxx and later	0402
C10	N.C.	Not mounted	0402
C11	100 pF	Capacitor, NPO, $\pm 5\%$	0402
C13, C14	1.0 μ F	Capacitor, X7R, $\pm 10\%$	0603
C20	4.7 μ F	Capacitor, X7S, $\pm 10\%$	0603
L1	4.7 nH	High frequency chip inductor $\pm 5\%$	0402
L2	2.2 nH	High frequency chip inductor $\pm 5\%$	0402
U1	nRF52833-QIAA	Multiprotocol <i>Bluetooth</i> [®] low energy, IEEE 802.15.4, ANT, and 2.4 GHz proprietary System on Chip	AQFN-73
X1	32 MHz	Crystal SMD 2016, 32 MHz, Cl=8 pF, Total Tol: ± 40 ppm	XTAL_2016
X2	32.768 kHz	Crystal SMD 3215, 32.768 kHz, Cl=9 pF, Total Tol: ± 50 ppm	XTAL_3215

Table 155: Bill of material for circuit configuration no. 3

7.3.4 Circuit configuration no. 4 for QIAA aQFN73

Circuit configuration number 4 for QIAA aQFN[™] 73, showing the schematic and the bill of materials table.

Config no.	Supply configuration		Enabled features		
	VDDH	VDD	DCDCEN1	USB	NFC
Config. 4	Battery/Ext. regulator	N/A	Yes	Yes	No

Table 156: Configuration summary for circuit configuration no. 4

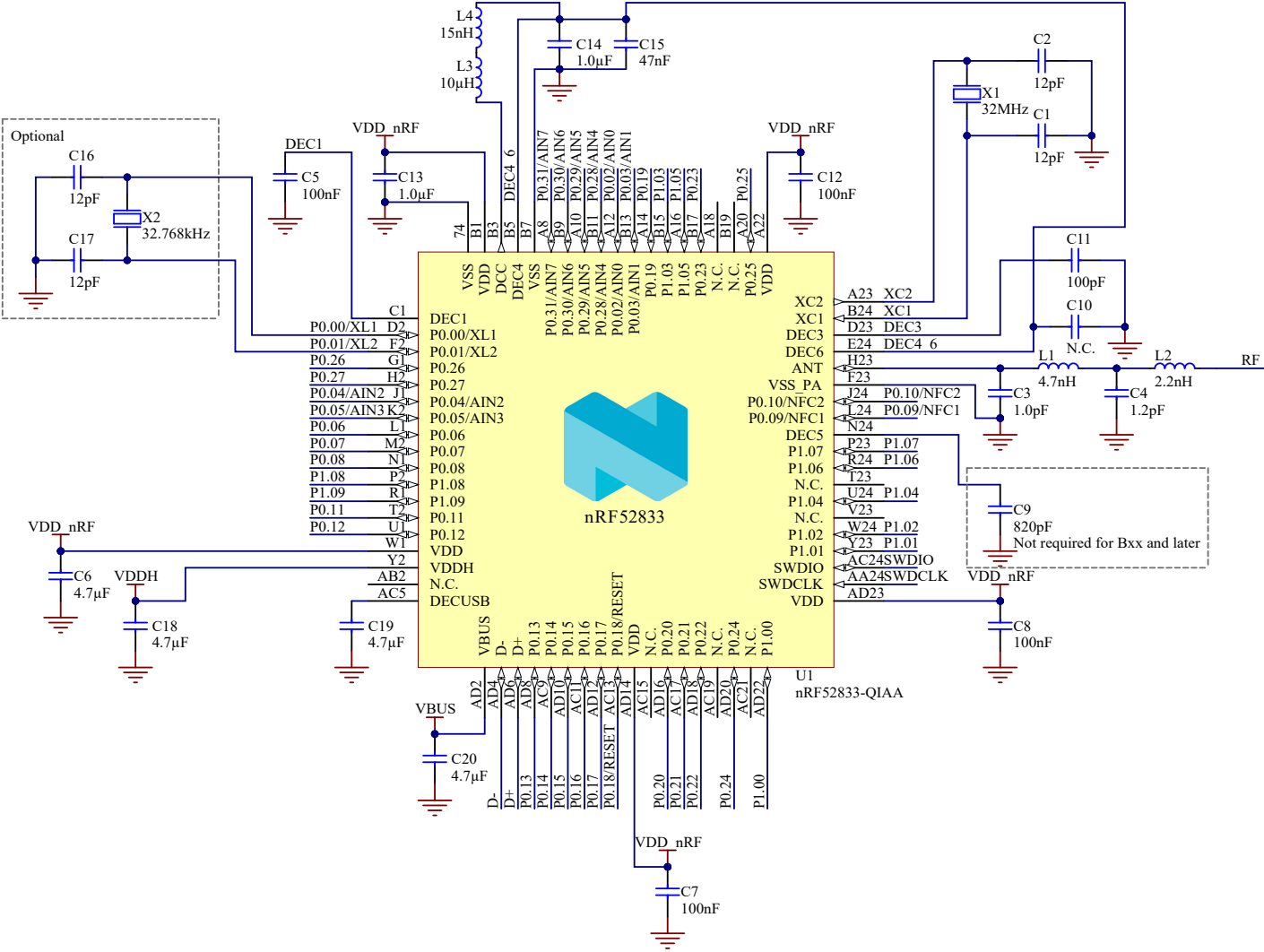


Figure 203: Circuit configuration no. 4 schematic for QIAA aQFN™ 73

Note: For PCB reference layouts, see the product page for the nRF52833 on www.nordicsemi.com.

Designator	Value	Description	Footprint
C1, C2, C16, C17	12 pF	Capacitor, NPO, $\pm 2\%$	0402
C3	1.0 pF	Capacitor, NPO, $\pm 5\%$	0402
C4	1.2 pF	Capacitor, NPO, $\pm 5\%$	0402
C5, C7, C8, C12	100 nF	Capacitor, X7R, $\pm 10\%$	0402
C6, C19	4.7 μ F	Capacitor, X7R, $\pm 10\%$	0603
C9	820 pF	Capacitor, NPO, $\pm 5\%$ Not required for Bxx and later	0402
C10	N.C.	Not mounted	0402
C11	100 pF	Capacitor, NPO, $\pm 5\%$	0402
C13, C14	1.0 μ F	Capacitor, X7R, $\pm 10\%$	0603
C15	47 nF	Capacitor, X7R, $\pm 10\%$	0402
C18, C20	4.7 μ F	Capacitor, X7S, $\pm 10\%$	0603
L1	4.7 nH	High frequency chip inductor $\pm 5\%$	0402
L2	2.2 nH	High frequency chip inductor $\pm 5\%$	0402
L3	10 μ H	Chip inductor, IDC min = 50 mA, $\pm 20\%$	0603
L4	15 nH	High frequency chip inductor $\pm 10\%$	0402
U1	nRF52833-QIAA	Multiprotocol <i>Bluetooth</i> [®] low energy, IEEE 802.15.4, ANT, and 2.4 GHz proprietary System on Chip	AQFN-73
X1	32 MHz	Crystal SMD 2016, 32 MHz, Cl=8 pF, Total Tol: ± 40 ppm	XTAL_2016
X2	32.768 kHz	Crystal SMD 3215, 32.768 kHz, Cl=9 pF, Total Tol: ± 50 ppm	XTAL_3215

Table 157: Bill of material for circuit configuration no. 4

7.3.5 Circuit configuration no. 5 for QIAA aQFN73

Circuit configuration number 5 for QIAA aQFN[™] 73, showing the schematic and the bill of materials table.

Config no.	Supply configuration		Enabled features		
	VDDH	VDD	DCDCEN1	USB	NFC
Config. 5	N/A	Battery/Ext. regulator	Yes	Yes	Yes

Table 158: Configuration summary for circuit configuration no. 5

Designator	Value	Description	Footprint
C1, C2, C16, C17	12 pF	Capacitor, NPO, $\pm 2\%$	0402
C3	1.0 pF	Capacitor, NPO, $\pm 5\%$	0402
C4	1.2 pF	Capacitor, NPO, $\pm 5\%$	0402
C5, C7, C8, C12	100 nF	Capacitor, X7R, $\pm 10\%$	0402
C6, C19	4.7 μ F	Capacitor, X7R, $\pm 10\%$	0603
C9	820 pF	Capacitor, NPO, $\pm 5\%$ Not required for Bxx and later	0402
C10	N.C.	Not mounted	0402
C11	100 pF	Capacitor, NPO, $\pm 5\%$	0402
C13, C14	1.0 μ F	Capacitor, X7R, $\pm 10\%$	0603
C15	47 nF	Capacitor, X7S, $\pm 10\%$	0402
C20	4.7 μ F	Capacitor, X7S, $\pm 10\%$	0603
C _{tune1} , C _{tune2}	Antenna dependent	Capacitor, NPO, $\pm 5\%$	0402
L1	4.7 nH	High frequency chip inductor $\pm 5\%$	0402
L2	2.2 nH	High frequency chip inductor $\pm 5\%$	0402
L3	10 μ H	Chip inductor, IDC min = 50 mA, $\pm 20\%$	0603
L4	15 nH	High frequency chip inductor $\pm 10\%$	0402
U1	nRF52833-QIAA	Multiprotocol <i>Bluetooth</i> [®] low energy, IEEE 802.15.4, ANT, and 2.4 GHz proprietary System on Chip	AQFN-73
X1	32 MHz	Crystal SMD 2016, 32 MHz, Cl=8 pF, Total Tol: ± 40 ppm	XTAL_2016
X2	32.768 kHz	Crystal SMD 3215, 32.768 kHz, Cl=9 pF, Total Tol: ± 50 ppm	XTAL_3215

Table 159: Bill of material for circuit configuration no. 5

7.3.6 Circuit configuration no. 6 for QIAA aQFN73

Circuit configuration number 6 for QIAA aQFN™ 73, showing the schematic and the bill of materials table.

Config no.	Supply configuration		Enabled features		
	VDDH	VDD	DCDCEN1	USB	NFC
Config. 6	N/A	Battery/Ext. regulator	No	No	No

Table 160: Configuration summary for circuit configuration no. 6

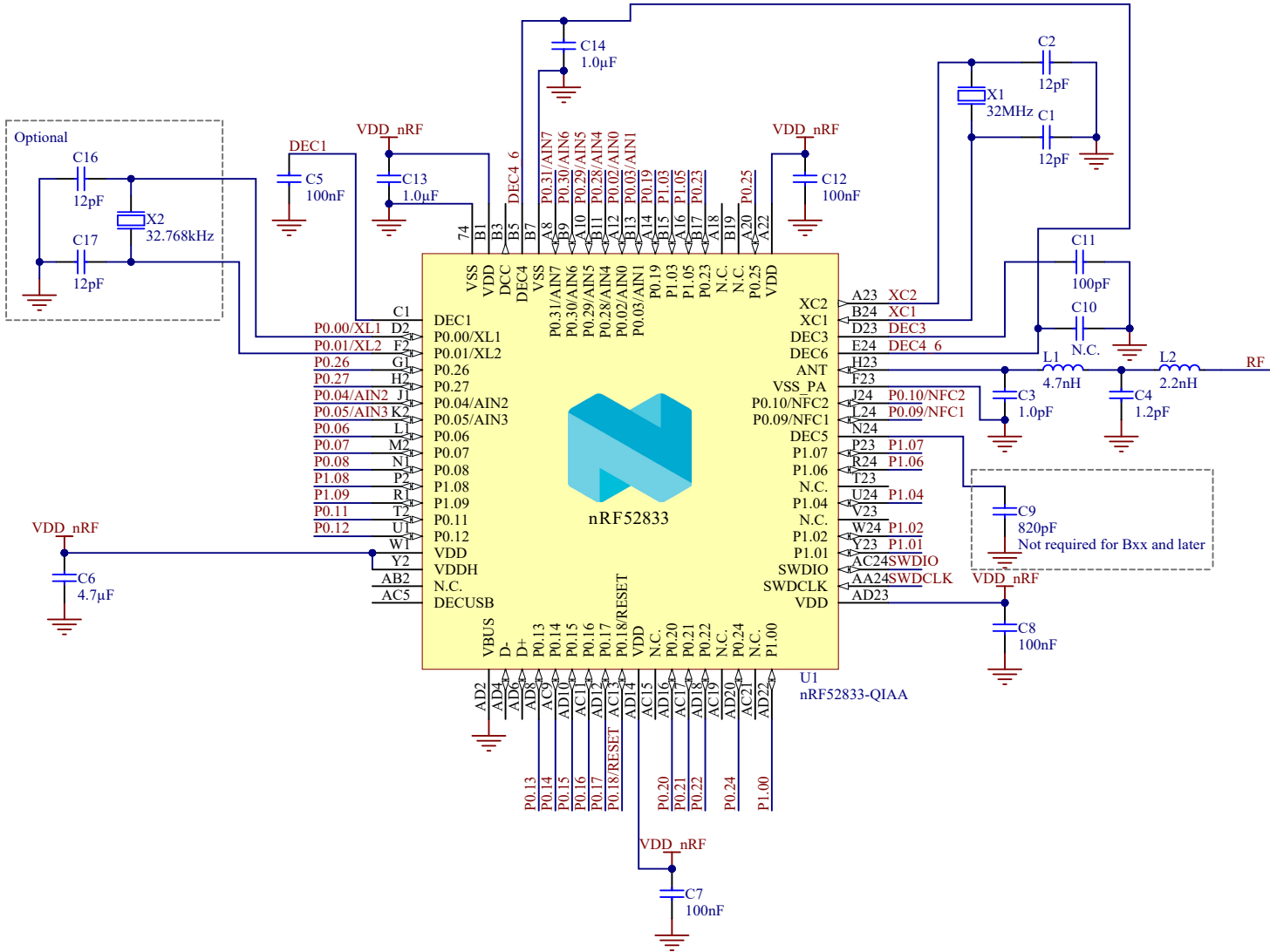


Figure 205: Circuit configuration no. 6 schematic

Note: For PCB reference layouts, see the product page for the nRF52833 on www.nordicsemi.com.

Designator	Value	Description	Footprint
C1, C2, C16, C17	12 pF	Capacitor, NPO, $\pm 2\%$	0402
C3	1.0 pF	Capacitor, NPO, $\pm 5\%$	0402
C4	1.2 pF	Capacitor, NPO, $\pm 5\%$	0402
C5, C7, C8, C12	100 nF	Capacitor, X7R, $\pm 10\%$	0402
C6	4.7 μ F	Capacitor, X7R, $\pm 10\%$	0603
C9	820 pF	Capacitor, NPO, $\pm 5\%$ Not required for Bxx and later	0402
C10	N.C.	Not mounted	0402
C11	100 pF	Capacitor, NPO, $\pm 5\%$	0402
C13, C14	1.0 μ F	Capacitor, X7R, $\pm 10\%$	0603
L1	4.7 nH	High frequency chip inductor $\pm 5\%$	0402
L2	2.2 nH	High frequency chip inductor $\pm 5\%$	0402
U1	nRF52833-QIAA	Multiprotocol <i>Bluetooth</i> [®] low energy, IEEE 802.15.4, ANT, and 2.4 GHz proprietary System on Chip	AQFN-73
X1	32 MHz	Crystal SMD 2016, 32 MHz, Cl=8 pF, Total Tol: ± 40 ppm	XTAL_2016
X2	32.768 kHz	Crystal SMD 3215, 32.768 kHz, Cl=9 pF, Total Tol: ± 50 ppm	XTAL_3215

Table 161: Bill of material for circuit configuration no. 6

7.3.7 Circuit configuration no. 1 for QDAA QFN40

This section contains a configuration summary, a schematic, and bill of materials table for QDAA QFN40 circuit configuration number 1.

Config no.	Supply configuration		Enabled features		
	VDDH	VDD	DCDCEN1	USB	NFC
Config. 1	USB (VDDH = VBUS)	N/A	No	Yes	No

Table 162: Configuration summary for circuit configuration no. 1

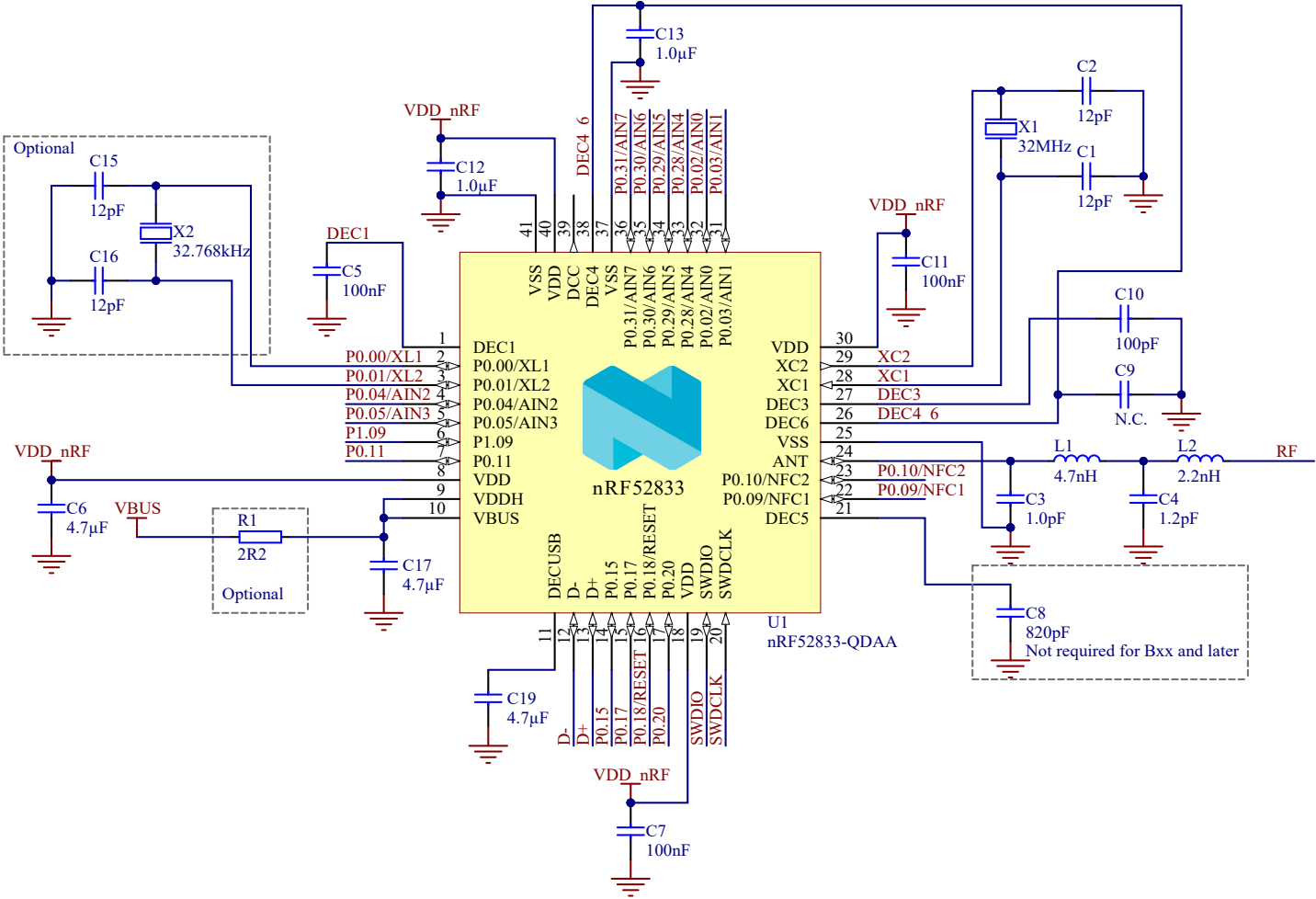


Figure 206: Circuit configuration no. 1 schematic for QDAA QFN40

Note: For PCB reference layouts, see the product page for the nRF52833 on www.nordicsemi.com.

Designator	Value	Description	Footprint
C1, C2, C15, C16	12 pF	Capacitor, NPO, $\pm 2\%$	0201
C3	1.0 pF	Capacitor, NPO, $\pm 5\%$	0201
C4	1.2 pF	Capacitor, NPO, $\pm 5\%$	0201
C5, C7, C11	100 nF	Capacitor, X7S, $\pm 10\%$	0201
C6, C19	4.7 μ F	Capacitor, X7R, $\pm 10\%$	0603
C8	820 pF	Capacitor, X7R, $\pm 10\%$ Not required for Bxx and later	0201
C9	N.C.	Not mounted	0201
C10	100 pF	Capacitor, NPO, $\pm 5\%$	0201
C12, C13	1.0 μ F	Capacitor, X7S, $\pm 10\%$	0402
C17	4.7 μ F	Capacitor, X7S, $\pm 10\%$	0603
L1	4.7 nH	High frequency chip inductor, $\pm 5\%$	0201
L2	2.2 nH	High frequency chip inductor, $\pm 5\%$	0201
R1	2R2	Resistor, $\pm 1\%$, 0.063 W	0402
U1	nRF52833-QDAA	Multiprotocol <i>Bluetooth</i> [®] Low Energy, IEEE 802.15.4, ANT, and 2.4 GHz proprietary System on Chip	QFN-40
X1	32 MHz	Crystal SMD 1612, 32 MHz, Cl=8 pF, Total Tol: ± 40 ppm	XTAL_1612
X2	32.768 kHz	Crystal SMD 2012, 32.768 kHz, Cl=9 pF, Total Tol: ± 50 ppm	XTAL_2012

Table 163: Bill of material for circuit configuration no. 1

7.3.8 Circuit configuration no. 2 for QDAA QFN40

This section contains a configuration summary, a schematic, and bill of materials table for QDAA QFN40 circuit configuration number 2.

Config no.	Supply configuration		Enabled features		
	VDDH	VDD	DCDCEN1	USB	NFC
Config. 2	Battery/Ext. regulator	N/A	No	Yes	No

Table 164: Configuration summary for circuit configuration no. 2

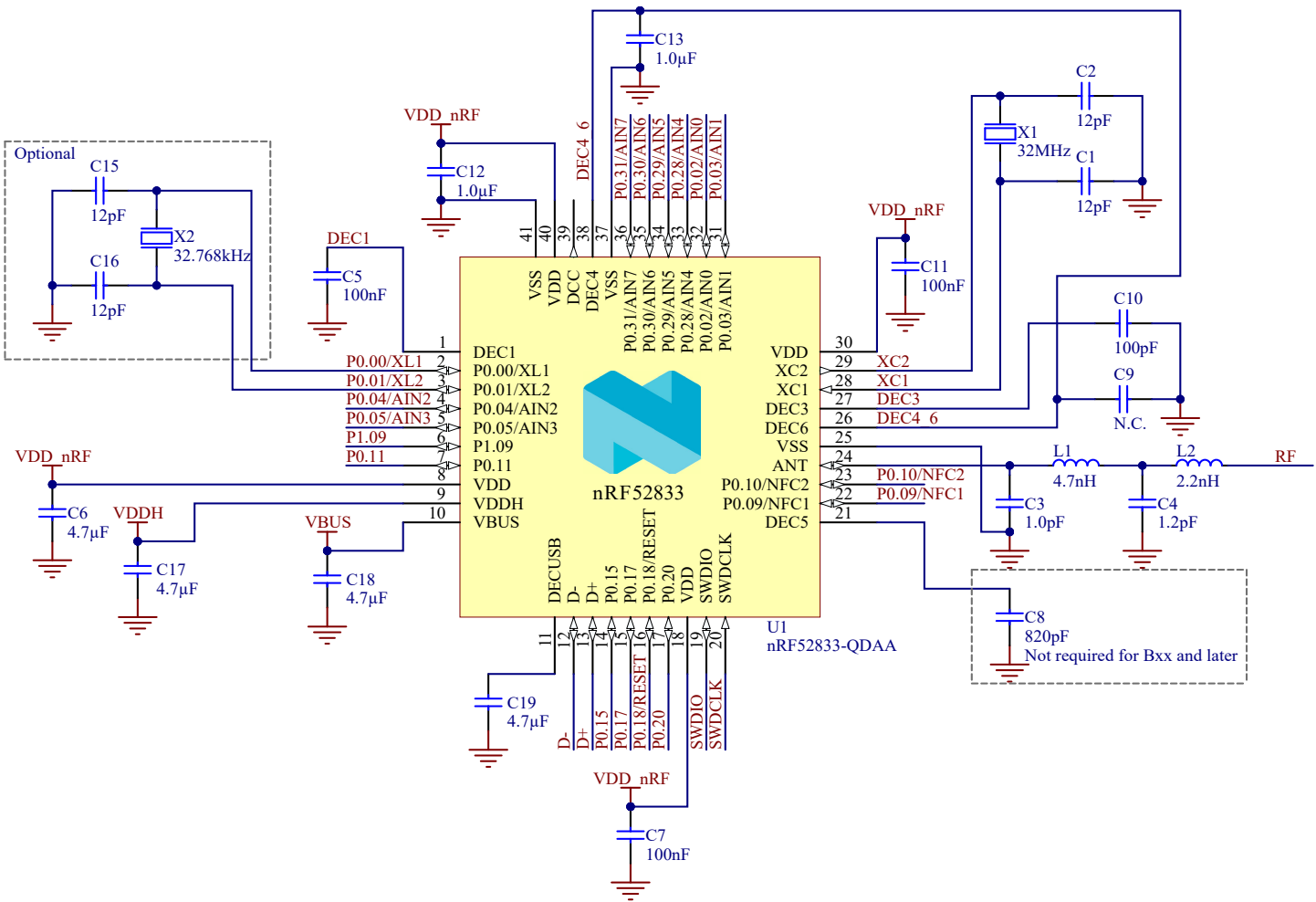


Figure 207: Circuit configuration no. 2 schematic for QDAA QFN40

Note: For PCB reference layouts, see the product page for the nRF52833 on www.nordicsemi.com.

Designator	Value	Description	Footprint
C1, C2, C15, C16	12 pF	Capacitor, NPO, $\pm 2\%$	0201
C3	1.0 pF	Capacitor, NPO, $\pm 5\%$	0201
C4	1.2 pF	Capacitor, NPO, $\pm 5\%$	0201
C5, C7, C11	100 nF	Capacitor, X7S, $\pm 10\%$	0201
C6, C19	4.7 μ F	Capacitor, X7R, $\pm 10\%$	0603
C8	820 pF	Capacitor, X7R, $\pm 10\%$ Not required for Bxx and later	0201
C9	N.C.	Not mounted	0201
C10	100 pF	Capacitor, NPO, $\pm 5\%$	0201
C12, C13	1.0 μ F	Capacitor, X7S, $\pm 10\%$	0402
C17, C18	4.7 μ F	Capacitor, X7S, $\pm 10\%$	0603
L1	4.7 nH	High frequency chip inductor, $\pm 5\%$	0201
L2	2.2 nH	High frequency chip inductor, $\pm 5\%$	0201
U1	nRF52833-QDAA	Multiprotocol <i>Bluetooth</i> [®] Low Energy, IEEE 802.15.4, ANT, and 2.4 GHz proprietary System on Chip	QFN-40
X1	32 MHz	Crystal SMD 1612, 32 MHz, Cl=8 pF, Total Tol: ± 40 ppm	XTAL_1612
X2	32.768 kHz	Crystal SMD 2012, 32.768 kHz, Cl=9 pF, Total Tol: ± 50 ppm	XTAL_2012

Table 165: Bill of material for circuit configuration no. 2

7.3.9 Circuit configuration no. 3 for QDAA QFN40

This section contains a configuration summary, a schematic, and bill of materials table for QDAA QFN40 circuit configuration number 3.

Config no.	Supply configuration		Enabled features		
	VDDH	VDD	DCDCEN1	USB	NFC
Config. 3	N/A	Battery/Ext. regulator	No	Yes	No

Table 166: Configuration summary for circuit configuration no. 3

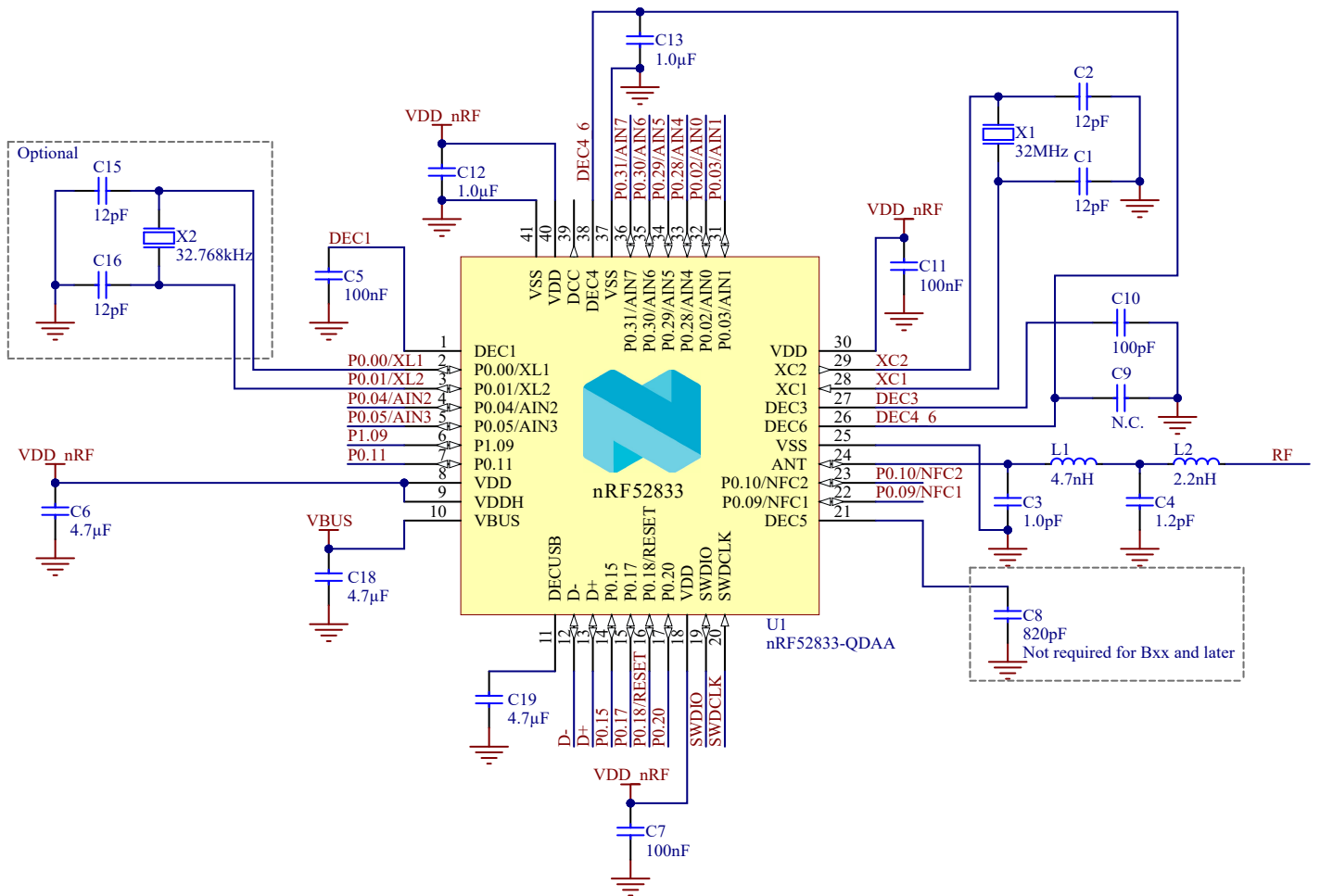


Figure 208: Circuit configuration no. 3 schematic for QDAA QFN40

Note: For PCB reference layouts, see the product page for the nRF52833 on www.nordicsemi.com.

Designator	Value	Description	Footprint
C1, C2, C15, C16	12 pF	Capacitor, NPO, $\pm 2\%$	0201
C3	1.0 pF	Capacitor, NPO, $\pm 5\%$	0201
C4	1.2 pF	Capacitor, NPO, $\pm 5\%$	0201
C5, C7, C11	100 nF	Capacitor, X7S, $\pm 10\%$	0201
C6, C19	4.7 μ F	Capacitor, X7R, $\pm 10\%$	0603
C8	820 pF	Capacitor, X7R, $\pm 10\%$ Not required for Bxx and later	0201
C9	N.C.	Not mounted	0201
C10	100 pF	Capacitor, NPO, $\pm 5\%$	0201
C12, C13	1.0 μ F	Capacitor, X7S, $\pm 10\%$	0402
C18	4.7 μ F	Capacitor, X7S, $\pm 10\%$	0603
L1	4.7 nH	High frequency chip inductor, $\pm 5\%$	0201
L2	2.2 nH	High frequency chip inductor, $\pm 5\%$	0201
U1	nRF52833-QDAA	Multiprotocol <i>Bluetooth</i> [®] Low Energy, IEEE 802.15.4, ANT, and 2.4 GHz proprietary System on Chip	QFN-40
X1	32 MHz	Crystal SMD 1612, 32 MHz, Cl=8 pF, Total Tol: ± 40 ppm	XTAL_1612
X2	32.768 kHz	Crystal SMD 2012, 32.768 kHz, Cl=9 pF, Total Tol: ± 50 ppm	XTAL_2012

Table 167: Bill of material for circuit configuration no. 3

7.3.10 Circuit configuration no. 4 for QDAA QFN40

This section contains a configuration summary, a schematic, and bill of materials table for QDAA QFN40 circuit configuration number 4.

Config no.	Supply configuration		Enabled features		
	VDDH	VDD	DCDCEN1	USB	NFC
Config. 4	Battery/Ext. regulator	N/A	Yes	Yes	No

Table 168: Configuration summary for circuit configuration no. 4

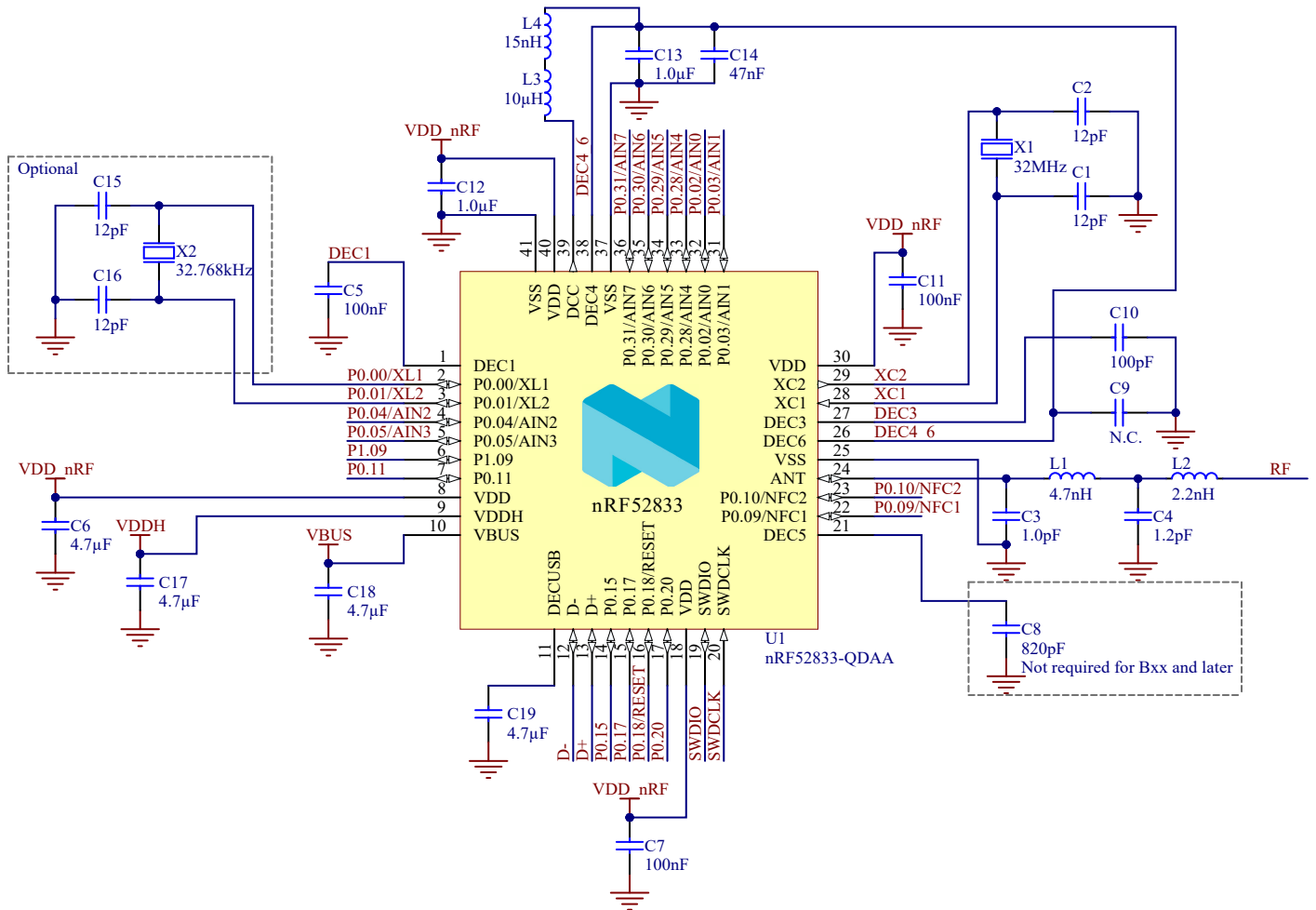


Figure 209: Circuit configuration no. 4 schematic for QDAA QFN40

Note: For PCB reference layouts, see the product page for the nRF52833 on www.nordicsemi.com.

Designator	Value	Description	Footprint
C1, C2, C15, C16	12 pF	Capacitor, NPO, $\pm 2\%$	0201
C3	1.0 pF	Capacitor, NPO, $\pm 5\%$	0201
C4	1.2 pF	Capacitor, NPO, $\pm 5\%$	0201
C5, C7, C11	100 nF	Capacitor, X7S, $\pm 10\%$	0201
C6, C19	4.7 μ F	Capacitor, X7R, $\pm 10\%$	0603
C8	820 pF	Capacitor, X7R, $\pm 10\%$ Not required for Bxx and later	0201
C9	N.C.	Not mounted	0201
C10	100 pF	Capacitor, NPO, $\pm 5\%$	0201
C12, C13	1.0 μ F	Capacitor, X7S, $\pm 10\%$	0402
C14	47 nF	Capacitor, X7S, $\pm 10\%$	0201
C17, C18	4.7 μ F	Capacitor, X7S, $\pm 10\%$	0603
L1	4.7 nH	High frequency chip inductor, $\pm 5\%$	0201
L2	2.2 nH	High frequency chip inductor, $\pm 5\%$	0201
L3	10 μ H	Chip inductor, IDC, min = 50 mA, $\pm 20\%$	0603
L4	15 nH	High frequency chip inductor, $\pm 10\%$	0402
U1	nRF52833-QDAA	Multiprotocol <i>Bluetooth</i> [®] Low Energy, IEEE 802.15.4, ANT, and 2.4 GHz proprietary System on Chip	QFN-40
X1	32 MHz	Crystal SMD 1612, 32 MHz, Cl=8 pF, Total Tol: ± 40 ppm	XTAL_1612
X2	32.768 kHz	Crystal SMD 2012, 32.768 kHz, Cl=9 pF, Total Tol: ± 50 ppm	XTAL_2012

Table 169: Bill of material for circuit configuration no. 4

7.3.11 Circuit configuration no. 5 for QDAA QFN40

This section contains a configuration summary, a schematic, and bill of materials table for QDAA QFN40 circuit configuration number 5.

Config no.	Supply configuration		Enabled features		
	VDDH	VDD	DCDCEN1	USB	NFC
Config. 5	N/A	Battery/Ext. regulator	Yes	Yes	Yes

Table 170: Configuration summary for circuit configuration no. 5

Designator	Value	Description	Footprint
C1, C2, C15, C16	12 pF	Capacitor, NPO, $\pm 2\%$	0201
C3	1.0 pF	Capacitor, NPO, $\pm 5\%$	0201
C4	1.2 pF	Capacitor, NPO, $\pm 5\%$	0201
C5, C7, C11	100 nF	Capacitor, X7S, $\pm 10\%$	0201
C6, C19	4.7 μ F	Capacitor, X7R, $\pm 10\%$	0603
C8	820 pF	Capacitor, X7R, $\pm 10\%$ Not required for Bxx and later	0201
C9	N.C.	Not mounted	0201
C10	100 pF	Capacitor, NPO, $\pm 5\%$	0201
C12, C13	1.0 μ F	Capacitor, X7S, $\pm 10\%$	0402
C14	47 nF	Capacitor, X7S, $\pm 10\%$	0201
C18	4.7 μ F	Capacitor, X7S, $\pm 10\%$	0603
Ctune1, Ctune2	TBD	Capacitor, X7R, $\pm 10\%$	0201
L1	4.7 nH	High frequency chip inductor, $\pm 5\%$	0201
L2	2.2 nH	High frequency chip inductor, $\pm 5\%$	0201
L3	10 μ H	Chip inductor, IDC, min = 50 mA, $\pm 20\%$	0603
L4	15 nH	High frequency chip inductor, $\pm 10\%$	0402
U1	nRF52833-QDAA	Multiprotocol <i>Bluetooth</i> [®] Low Energy, IEEE 802.15.4, ANT, and 2.4 GHz proprietary System on Chip	QFN-40
X1	32 MHz	Crystal SMD 1612, 32 MHz, Cl=8 pF, Total Tol: ± 40 ppm	XTAL_1612
X2	32.768 kHz	Crystal SMD 2012, 32.768 kHz, Cl=9 pF, Total Tol: ± 50 ppm	XTAL_2012

Table 171: Bill of material for circuit configuration no. 5

7.3.12 Circuit configuration no. 6 for QDAA QFN40

This section contains a configuration summary, a schematic, and bill of materials table for QDAA QFN40 circuit configuration number 6.

Config no.	Supply configuration		Enabled features		
	VDDH	VDD	DCDCEN1	USB	NFC
Config. 6	N/A	Battery/Ext. regulator	No	No	No

Table 172: Configuration summary for circuit configuration no. 6

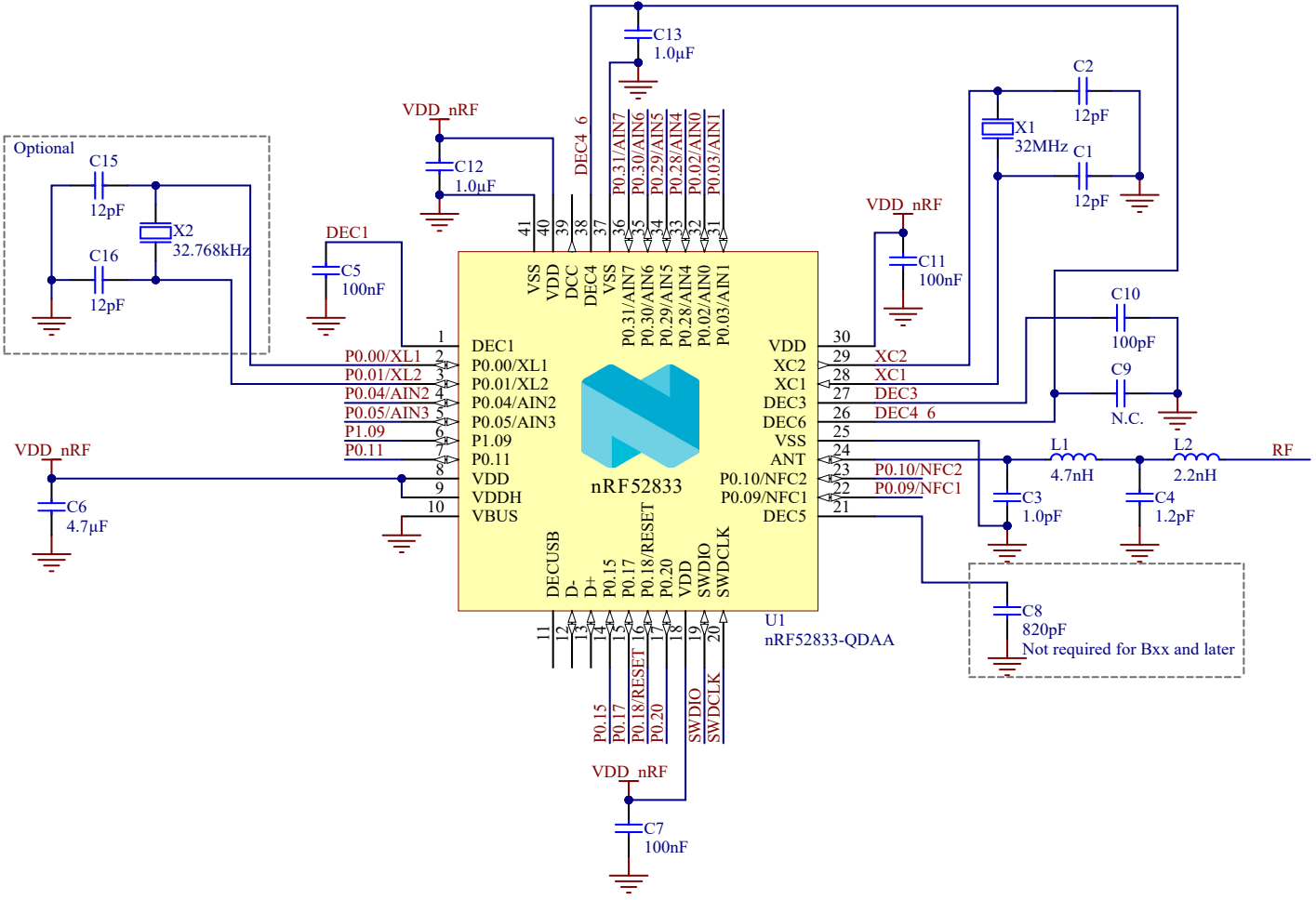


Figure 211: Circuit configuration no. 6 schematic for QDAA QFN40

Note: For PCB reference layouts, see the product page for the nRF52833 on www.nordicsemi.com.

Designator	Value	Description	Footprint
C1, C2, C15, C16	12 pF	Capacitor, NPO, $\pm 2\%$	0201
C3	1.0 pF	Capacitor, NPO, $\pm 5\%$	0201
C4	1.2 pF	Capacitor, NPO, $\pm 5\%$	0201
C5, C7, C11	100 nF	Capacitor, X7S, $\pm 10\%$	0201
C6	4.7 μ F	Capacitor, X7R, $\pm 10\%$	0603
C8	820 pF	Capacitor, X7R, $\pm 10\%$ Not required for Bxx and later	0201
C9	N.C.	Not mounted	0201
C10	100 pF	Capacitor, NPO, $\pm 5\%$	0201
C12, C13	1.0 μ F	Capacitor, X7S, $\pm 10\%$	0402
L1	4.7 nH	High frequency chip inductor, $\pm 5\%$	0201
L2	2.2 nH	High frequency chip inductor, $\pm 5\%$	0201
U1	nRF52833-QDAA	Multiprotocol <i>Bluetooth</i> [®] Low Energy, IEEE 802.15.4, ANT, and 2.4 GHz proprietary System on Chip	QFN-40
X1	32 MHz	Crystal SMD 1612, 32 MHz, Cl=8 pF, Total Tol: ± 40 ppm	XTAL_1612
X2	32.768 kHz	Crystal SMD 2012, 32.768 kHz, Cl=9 pF, Total Tol: ± 50 ppm	XTAL_2012

Table 173: Bill of material for circuit configuration no. 6

7.3.13 Circuit configuration no. 1 for CJAA WLCSP

This section contains a configuration summary, a schematic, and bill of materials table for CJAA WLCSP circuit configuration number 1.

Config no.	Supply configuration		Enabled features		
	VDDH	VDD	DCDCEN1	USB	NFC
Config. 1	USB (VDDH = VBUS)	N/A	No	Yes	No

Table 174: Configuration summary for circuit configuration no. 1

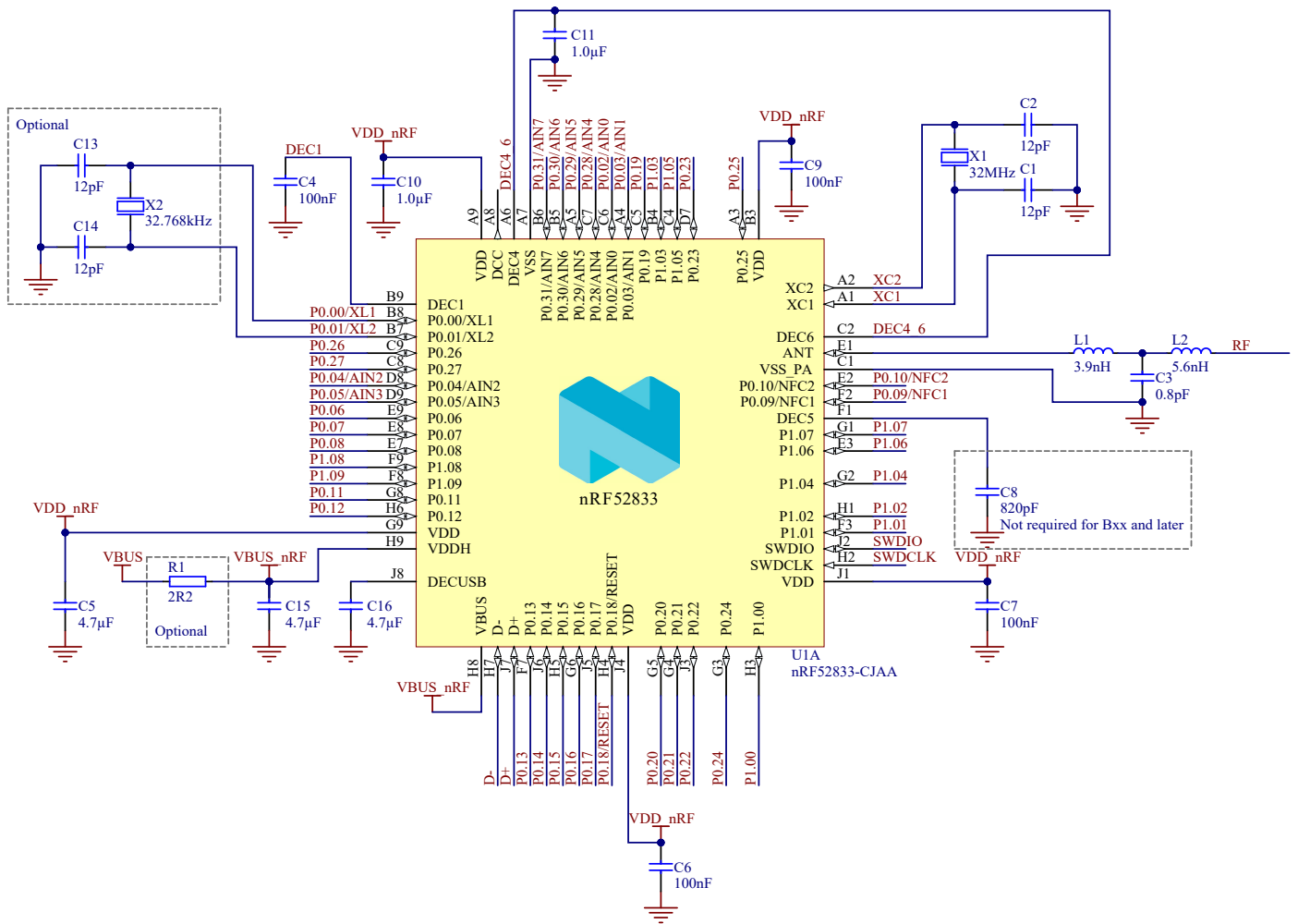


Figure 212: Circuit configuration no. 1 schematic for CJAA WLSCP

Note: For PCB reference layouts, see the product page for the nRF52833 on www.nordicsemi.com.

Designator	Value	Description	Footprint
C1, C2, C13, C14	12 pF	Capacitor, NPO, $\pm 2\%$	0201
C3	0.8 pF	Capacitor, NPO, $\pm 5\%$	0201
C4, C6, C7, C9	100 nF	Capacitor, X7S, $\pm 10\%$	0201
C5, C16	4.7 μ F	Capacitor, X7R, $\pm 10\%$	0603
C8	820 pF	Capacitor, X7R, $\pm 10\%$ Not required for Bxx and later	0201
C10, C11	1.0 μ F	Capacitor, X7R, $\pm 10\%$	0603
C15	4.7 μ F	Capacitor, X7S, $\pm 10\%$	0603
L1	3.9 nH	High frequency chip inductor, $\pm 5\%$	0201
L2	5.6 nH	High frequency chip inductor, $\pm 5\%$	0201
R1	2R2	Resistor, $\pm 1\%$, 0.05W	0201
U1	nRF52833-CJAA	Multiprotocol <i>Bluetooth</i> [®] Low Energy, IEEE 802.15.4, ANT, and 2.4 GHz proprietary System on Chip	WLCSP-75
X1	32 MHz	Crystal SMD 1612, 32 MHz, Cl=8 pF, Total Tol: ± 40 ppm	XTAL_1612
X2	32.768 kHz	Crystal SMD 2012, 32.768 kHz, Cl=9 pF, Total Tol: ± 50 ppm	XTAL_2012

Table 175: Bill of material for circuit configuration no. 1

7.3.14 Circuit configuration no. 2 for CJAA WLCSP

This section contains a configuration summary, a schematic, and bill of materials table for CJAA WLCSP circuit configuration number 2.

Config no.	Supply configuration		Enabled features		
	VDDH	VDD	DCDCEN1	USB	NFC
Config. 2	Battery/Ext. regulator	N/A	No	Yes	No

Table 176: Configuration summary for circuit configuration no. 2

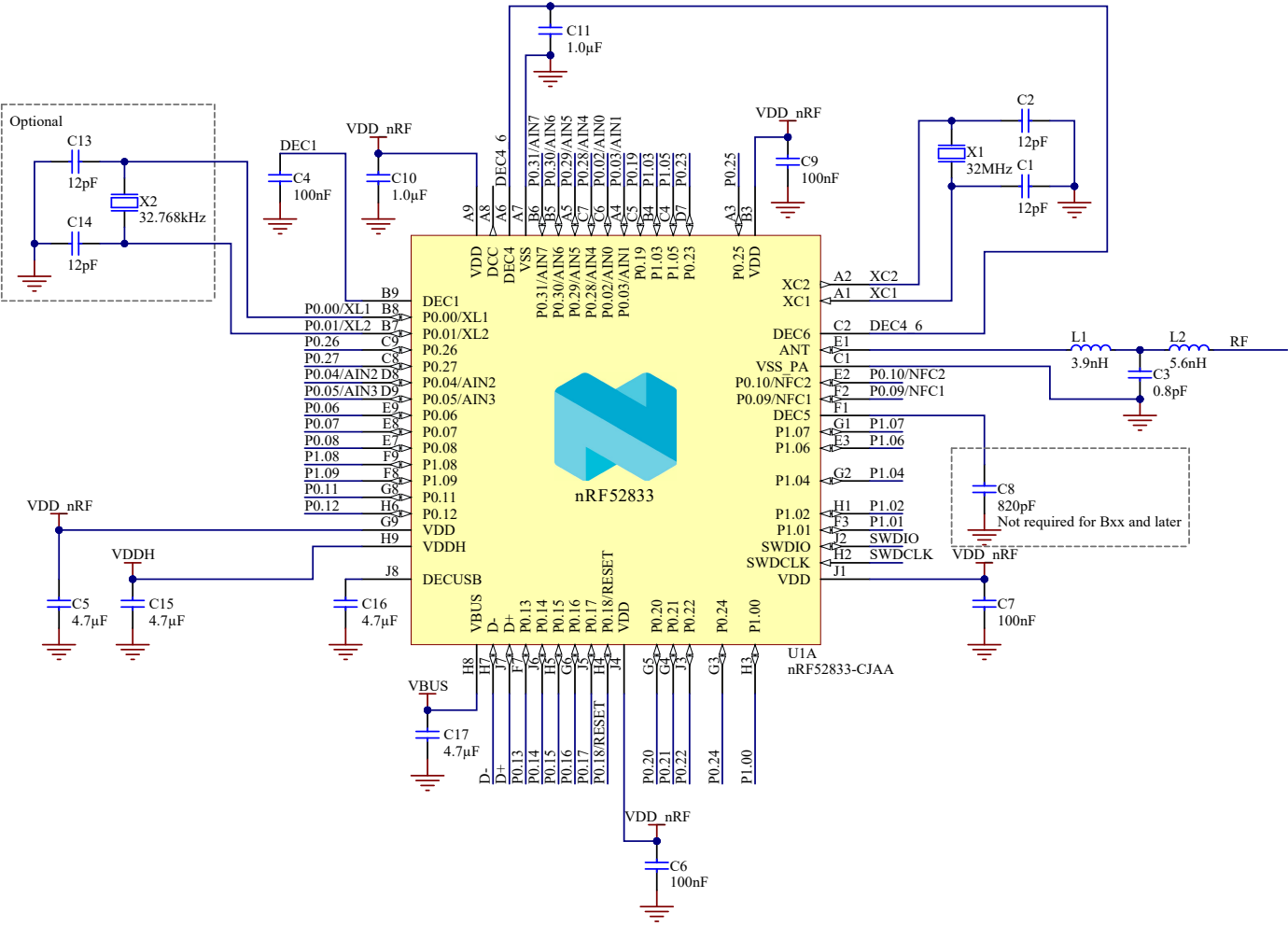


Figure 213: Circuit configuration no. 2 schematic for CJAA WLCSF

Note: For PCB reference layouts, see the product page for the nRF52833 on www.nordicsemi.com.

Designator	Value	Description	Footprint
C1, C2, C13, C14	12 pF	Capacitor, NPO, $\pm 2\%$	0201
C3	0.8 pF	Capacitor, NPO, $\pm 5\%$	0201
C4, C6, C7, C9	100 nF	Capacitor, X7S, $\pm 10\%$	0201
C5, C16	4.7 μ F	Capacitor, X7R, $\pm 10\%$	0603
C8	820 pF	Capacitor, X7R, $\pm 10\%$ Not required for Bxx and later	0201
C10, C11	1.0 μ F	Capacitor, X7R, $\pm 10\%$	0603
C15, C17	4.7 μ F	Capacitor, X7S, $\pm 10\%$	0603
L1	3.9 nH	High frequency chip inductor, $\pm 5\%$	0201
L2	5.6 nH	High frequency chip inductor, $\pm 5\%$	0201
U1	nRF52833-CJAA	Multiprotocol <i>Bluetooth</i> [®] Low Energy, IEEE 802.15.4, ANT, and 2.4 GHz proprietary System on Chip	WLCSP-75
X1	32 MHz	Crystal SMD 1612, 32 MHz, Cl=8 pF, Total Tol: ± 40 ppm	XTAL_1612
X2	32.768 kHz	Crystal SMD 2012, 32.768 kHz, Cl=9 pF, Total Tol: ± 50 ppm	XTAL_2012

Table 177: Bill of material for circuit configuration no. 2

7.3.15 Circuit configuration no. 3 for CJAA WLCSP

This section contains a configuration summary, a schematic, and bill of materials table for CJAA WLCSP circuit configuration number 3.

Config no.	Supply configuration		Enabled features		
	VDDH	VDD	DCDCEN1	USB	NFC
Config. 3	N/A	Battery/Ext. regulator	No	Yes	No

Table 178: Configuration summary for circuit configuration no. 3

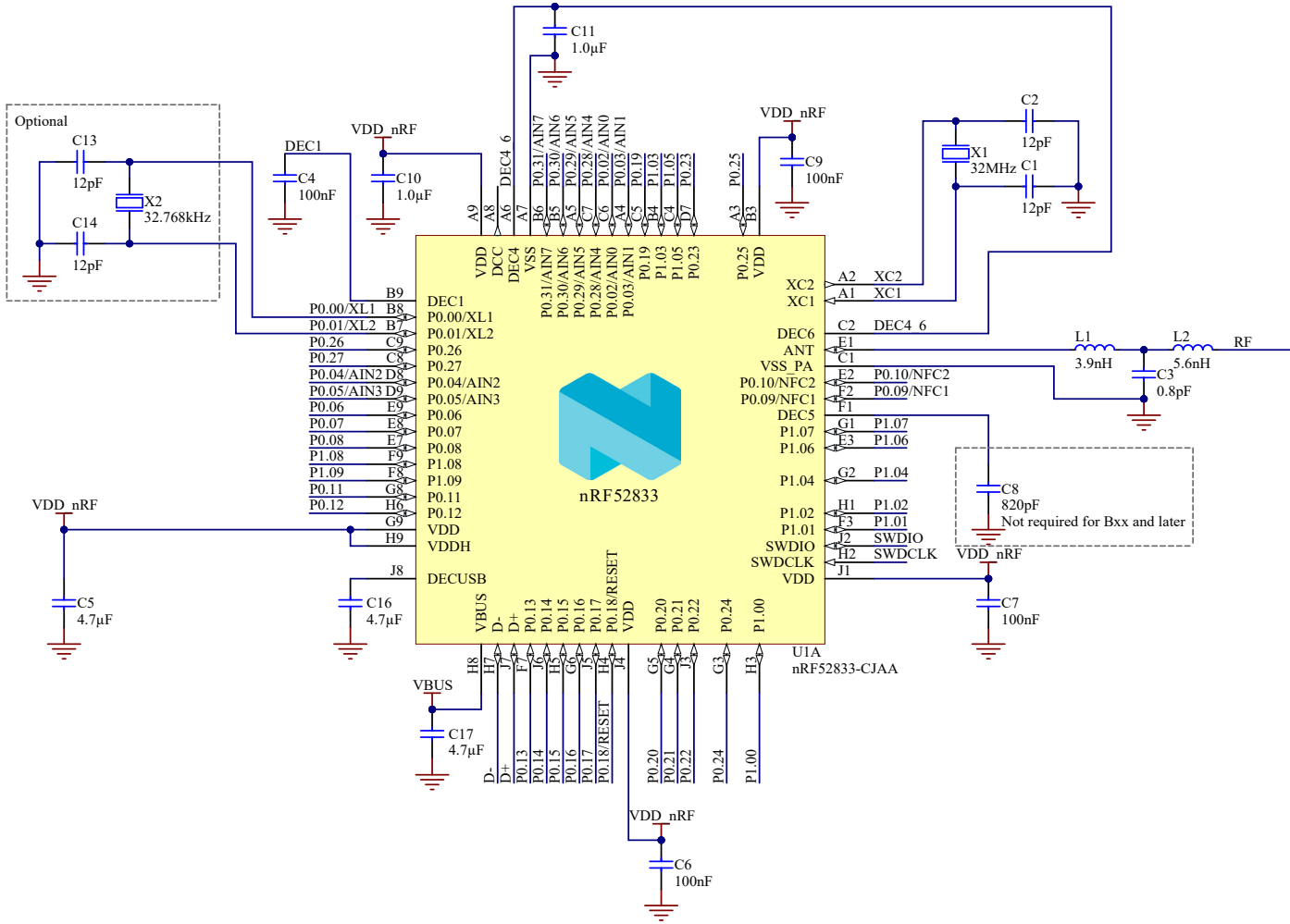


Figure 214: Circuit configuration no. 3 schematic for CJAA WLCS

Note: For PCB reference layouts, see the product page for the nRF52833 on www.nordicsemi.com.

Designator	Value	Description	Footprint
C1, C2, C13, C14	12 pF	Capacitor, NPO, $\pm 2\%$	0201
C3	0.8 pF	Capacitor, NPO, $\pm 5\%$	0201
C4, C6, C7, C9	100 nF	Capacitor, X7S, $\pm 10\%$	0201
C5, C16	4.7 μ F	Capacitor, X7R, $\pm 10\%$	0603
C8	820 pF	Capacitor, X7R, $\pm 10\%$ Not required for Bxx and later	0201
C10, C11	1.0 μ F	Capacitor, X7R, $\pm 10\%$	0603
C17	4.7 μ F	Capacitor, X7S, $\pm 10\%$	0603
L1	3.9 nH	High frequency chip inductor, $\pm 5\%$	0201
L2	5.6 nH	High frequency chip inductor, $\pm 5\%$	0201
U1	nRF52833-CJAA	Multiprotocol <i>Bluetooth</i> [®] Low Energy, IEEE 802.15.4, ANT, and 2.4 GHz proprietary System on Chip	WLCSP-75
X1	32 MHz	Crystal SMD 1612, 32 MHz, Cl=8 pF, Total Tol: ± 40 ppm	XTAL_1612
X2	32.768 kHz	Crystal SMD 2012, 32.768 kHz, Cl=9 pF, Total Tol: ± 50 ppm	XTAL_2012

Table 179: Bill of material for circuit configuration no. 3

7.3.16 Circuit configuration no. 4 for CJAA WLCSP

This section contains a configuration summary, a schematic, and bill of materials table for CJAA WLCSP circuit configuration number 4.

Config no.	Supply configuration		Enabled features		
	VDDH	VDD	DCDCEN1	USB	NFC
Config. 4	Battery/Ext. regulator	N/A	Yes	Yes	No

Table 180: Configuration summary for circuit configuration no. 4

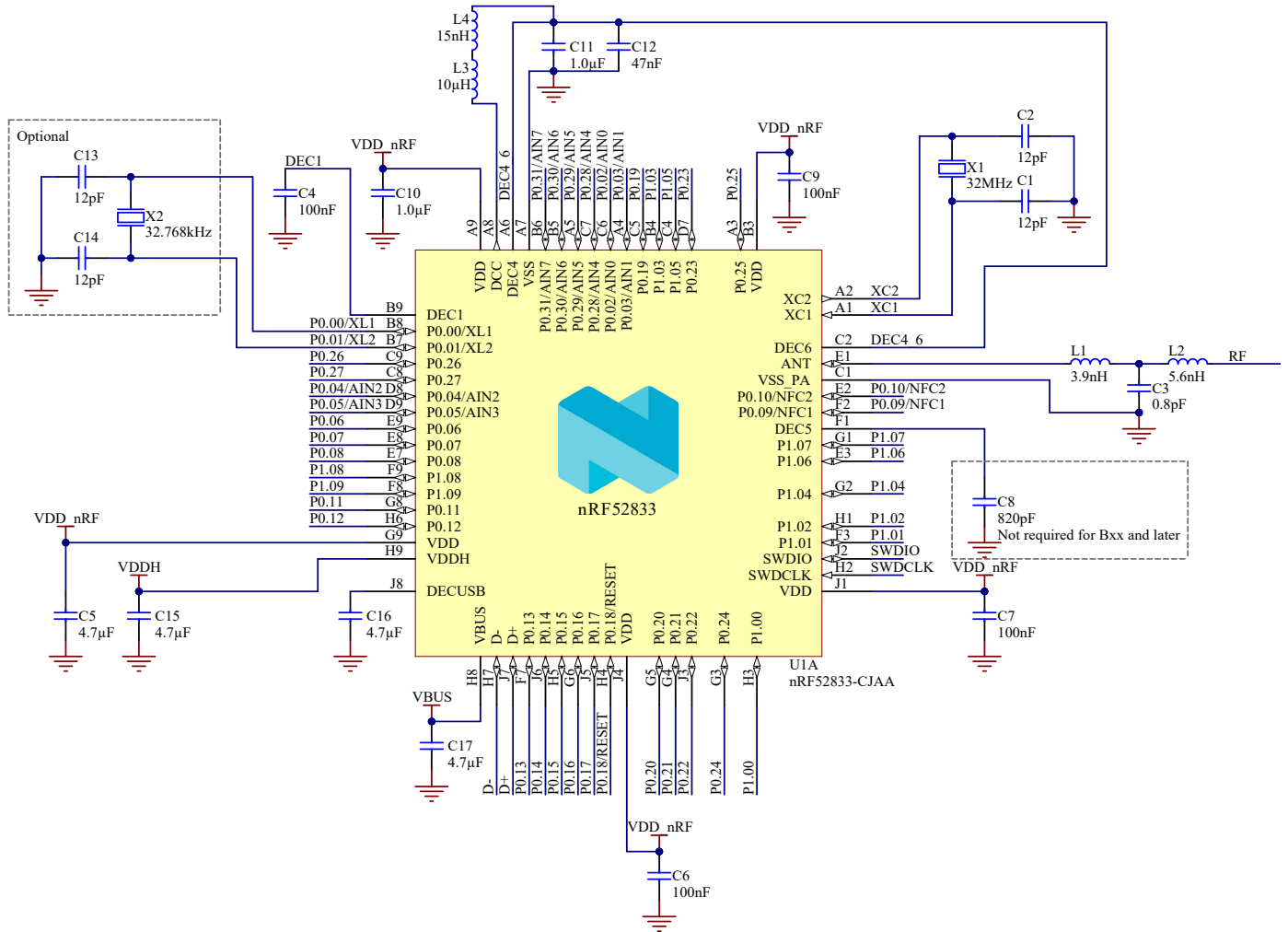


Figure 215: Circuit configuration no. 4 schematic for CJAA WLCSF

Note: For PCB reference layouts, see the product page for the nRF52833 on www.nordicsemi.com.

Designator	Value	Description	Footprint
C1, C2, C13, C14	12 pF	Capacitor, NPO, $\pm 2\%$	0201
C3	0.8 pF	Capacitor, NPO, $\pm 5\%$	0201
C4, C6, C7, C9	100 nF	Capacitor, X7S, $\pm 10\%$	0201
C5, C16	4.7 μ F	Capacitor, X7R, $\pm 10\%$	0603
C8	820 pF	Capacitor, X7R, $\pm 10\%$ Not required for Bxx and later	0201
C10, C11	1.0 μ F	Capacitor, X7R, $\pm 10\%$	0603
C12	47 nF	Capacitor, X7S, $\pm 10\%$	0201
C15, C17	4.7 μ F	Capacitor, X7S, $\pm 10\%$	0603
L1	3.9 nH	High frequency chip inductor, $\pm 5\%$	0201
L2	5.6 nH	High frequency chip inductor, $\pm 5\%$	0201
L3	10 μ H	Chip inductor, IDC, min = 50 mA, $\pm 20\%$	0603
L4	15 nH	High frequency chip inductor, $\pm 10\%$	0402
U1	nRF52833-CJAA	Multiprotocol <i>Bluetooth</i> [®] Low Energy, IEEE 802.15.4, ANT, and 2.4 GHz proprietary System on Chip	WLCSP-75
X1	32 MHz	Crystal SMD 1612, 32 MHz, Cl=8 pF, Total Tol: ± 40 ppm	XTAL_1612
X2	32.768 kHz	Crystal SMD 2012, 32.768 kHz, Cl=9 pF, Total Tol: ± 50 ppm	XTAL_2012

Table 181: Bill of material for circuit configuration no. 4

7.3.17 Circuit configuration no. 5 for CJAA WLCSP

This section contains a configuration summary, a schematic, and bill of materials table for CJAA WLCSP circuit configuration number 5.

Config no.	Supply configuration		Enabled features		
	VDDH	VDD	DCDCEN1	USB	NFC
Config. 5	N/A	Battery/Ext. regulator	Yes	Yes	Yes

Table 182: Configuration summary for circuit configuration no. 5

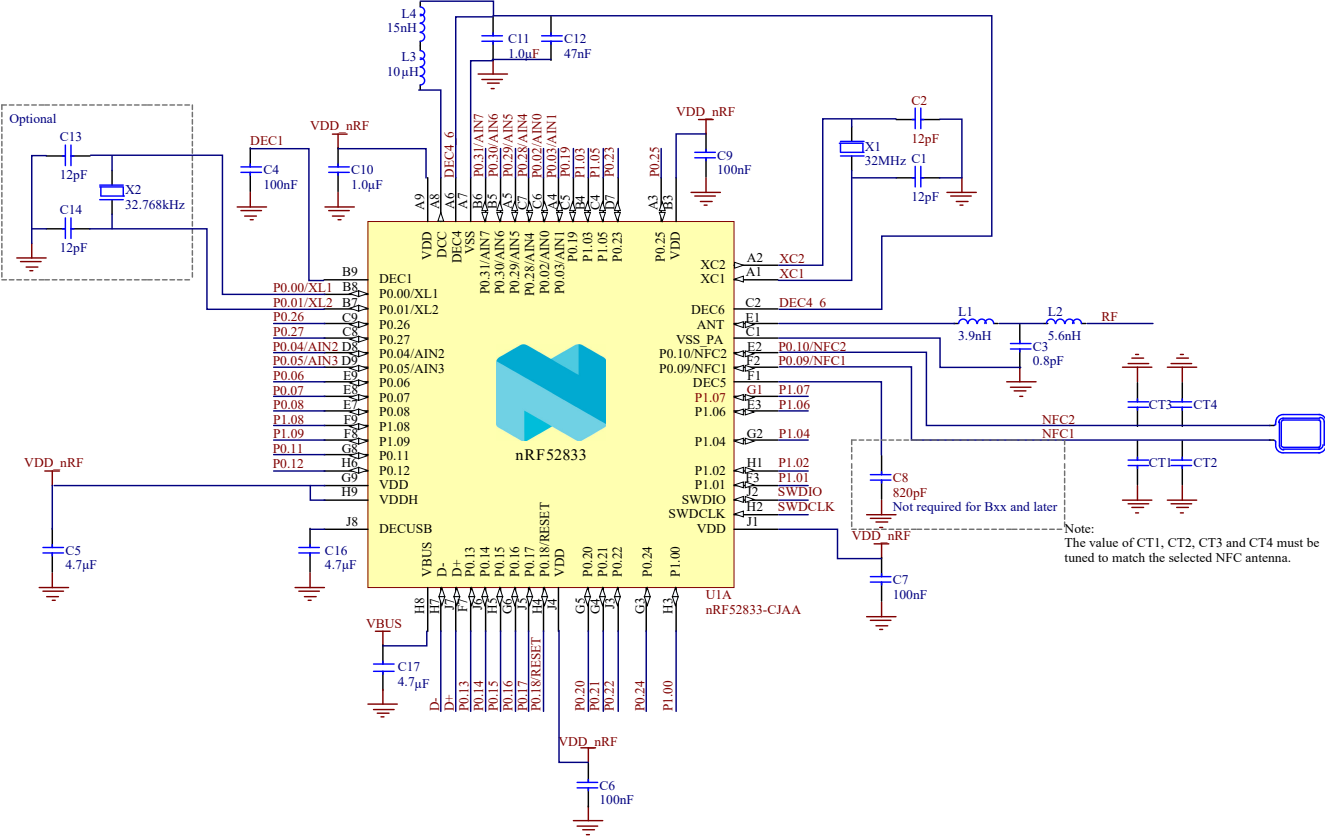


Figure 216: Circuit configuration no. 5 schematic for C-JAA WLCSP

Note: For PCB reference layouts, see the product page for the nRF52833 on www.nordicsemi.com.

Designator	Value	Description	Footprint
C1, C2, C13, C14	12 pF	Capacitor, NPO, $\pm 2\%$	0201
C3	0.8 pF	Capacitor, NPO, $\pm 5\%$	0201
C4, C6, C7, C9	100 nF	Capacitor, X7S, $\pm 10\%$	0201
C5, C16	4.7 μ F	Capacitor, X7R, $\pm 10\%$	0603
C8	820 pF	Capacitor, X7R, $\pm 10\%$ Not required for Bxx and later	0201
C10, C11	1.0 μ F	Capacitor, X7R, $\pm 10\%$	0603
C12	47 nF	Capacitor, X7S, $\pm 10\%$	0201
C17	4.7 μ F	Capacitor, X7S, $\pm 10\%$	0603
CT1, CT2, CT3, CT4	Antenna dependent	Capacitor, X7R, $\pm 10\%$	0201
L1	3.9 nH	High frequency chip inductor, $\pm 5\%$	0201
L2	5.6 nH	High frequency chip inductor, $\pm 5\%$	0201
L3	10 μ H	Chip inductor, IDC,min = 50 mA, $\pm 20\%$	0603
L4	15 nH	High frequency chip inductor, $\pm 10\%$	0402
U1	nRF52833-CJAA	Multiprotocol <i>Bluetooth</i> [®] Low Energy, IEEE 802.15.4, ANT, and 2.4 GHz proprietary System on Chip	WLCSP-75
X1	32 MHz	Crystal SMD 1612, 32 MHz, Cl=8 pF, Total Tol: ± 40 ppm	XTAL_1612
X2	32.768 kHz	Crystal SMD 2012, 32.768 kHz, Cl=9 pF, Total Tol: ± 50 ppm	XTAL_2012

Table 183: Bill of material for circuit configuration no. 5

7.3.18 Circuit configuration no. 6 for CJAA WLCSP

This section contains a configuration summary, a schematic, and bill of materials table for CJAA WLCSP circuit configuration number 6.

Config no.	Supply configuration		Enabled features		
	VDDH	VDD	DCDCEN1	USB	NFC
Config. 6	N/A	Battery/Ext. regulator	No	No	No

Table 184: Configuration summary for circuit configuration no. 6

Designator	Value	Description	Footprint
C1, C2, C13, C14	12 pF	Capacitor, NPO, $\pm 2\%$	0201
C3	0.8 pF	Capacitor, NPO, $\pm 5\%$	0201
C4, C6, C7, C9	100 nF	Capacitor, X7S, $\pm 10\%$	0201
C5	4.7 μ F	Capacitor, X7R, $\pm 10\%$	0603
C8	820 pF	Capacitor, X7R, $\pm 10\%$ Not required for Bxx and later	0201
C10, C11	1.0 μ F	Capacitor, X7R, $\pm 10\%$	0603
L1	3.9 nH	High frequency chip inductor, $\pm 5\%$	0201
L2	5.6 nH	High frequency chip inductor, $\pm 5\%$	0201
U1	nRF52833-CJAA	Multiprotocol <i>Bluetooth</i> [®] Low Energy, IEEE 802.15.4, ANT, and 2.4 GHz proprietary System on Chip	WLCSP-75
X1	32 MHz	Crystal SMD 1612, 32 MHz, Cl=8 pF, Total Tol: ± 40 ppm	XTAL_1612
X2	32.768 kHz	Crystal SMD 2012, 32.768 kHz, Cl=9 pF, Total Tol: ± 50 ppm	XTAL_2012

Table 185: Bill of material for circuit configuration no. 6

7.3.19 PCB guidelines

A well designed PCB is necessary to achieve good RF performance. Poor layout can lead to loss in performance or functionality.

A qualified RF layout for the IC and its surrounding components, including matching networks, can be downloaded from www.nordicsemi.com.

To ensure optimal performance it is essential that you follow the schematics and layout references closely. Especially in the case of the antenna matching circuitry (components between device pin ANT and the antenna), any changes to the layout can change the behavior, resulting in degradation of RF performance or a need to change component values. All reference circuits are designed for use with a 50 Ω single-ended antenna.

A PCB with a minimum of four layers, including a ground plane, is recommended for optimal performance. Put a keep-out area on the inner layers directly below the antenna matching circuitry (components between device pin ANT and the antenna) to reduce the stray capacitances that influence RF performance.

A matching network is needed between the RF pin ANT and the antenna, to match the antenna impedance (normally 50 Ω) to the optimum RF load impedance for the chip. For optimum performance, the impedance for the matching network should be set as described in the recommended package reference circuitry in [Reference circuitry](#) on page 570.

The DC supply voltage should be decoupled as close as possible to the VDD pins with high performance RF capacitors. See the schematics for recommended decoupling capacitor values. The supply voltage for the chip should be filtered and routed separately from the supply voltages of any digital circuitry.

Long power supply lines on the PCB should be avoided. All device grounds, VDD connections, and VDD bypass capacitors must be connected as close as possible to the IC. For a PCB with a topside RF ground plane, the VSS pins should be connected directly to the ground plane. For a PCB with a bottom ground

plane, the best technique is to have via holes as close as possible to the VSS pads. A minimum of one via hole should be used for each VSS pin.

Fast switching digital signals should not be routed close to the crystal or the power supply lines. Capacitive loading of fast switching digital output lines should be minimized in order to avoid radio interference.

7.3.20 PCB layout example

The PCB layout shown in the following figures is a reference layout for the aQFN™ package with internal LDO setup and VBUS supply.

Note: Pay attention to how the capacitor C3 is grounded. It is not directly connected to the ground plane, but grounded via VSS_PA pin F23. This is done to create additional filtering of harmonic components.

For all available reference layouts, see the product page for the nRF52833 on www.nordicsemi.com.

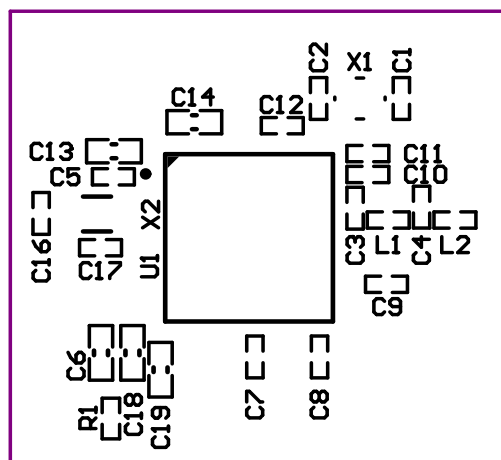


Figure 218: Top silk layer

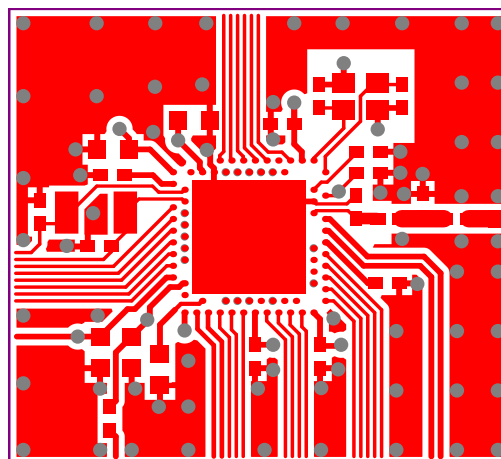


Figure 219: Top layer

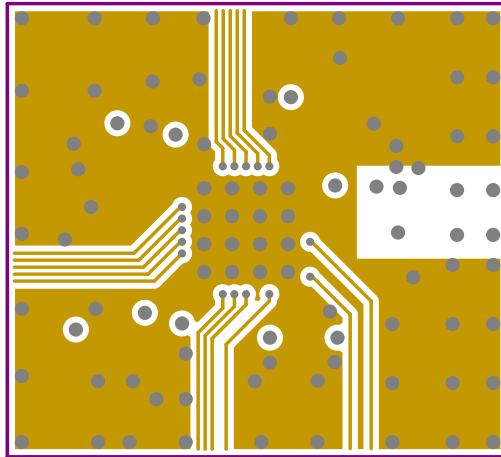


Figure 220: Mid layer 1

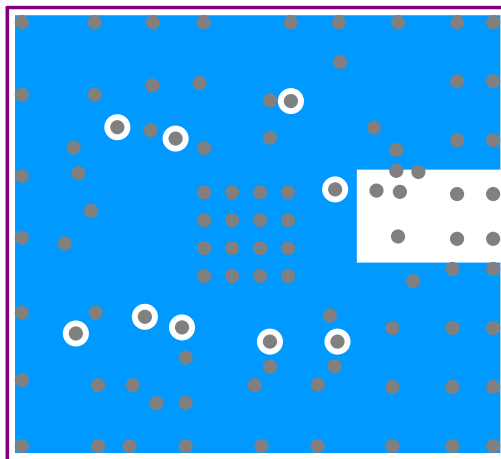


Figure 221: Mid layer 2

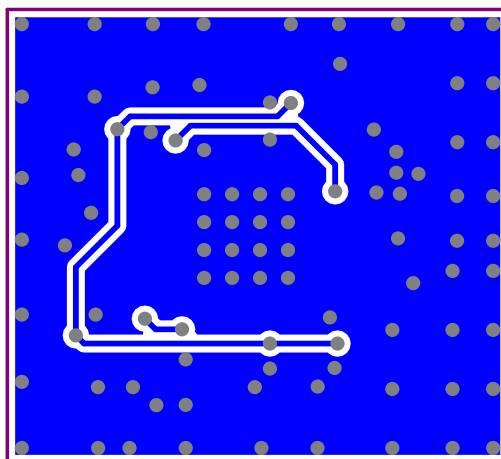


Figure 222: Bottom layer

Note: No components in bottom layer.

7.3.21 PMIC support

The nRF52 Series is comprehensively supported by Nordic Semiconductor's own range of PMICs (Power Management Integrated Circuits). These PMICs are meticulously designed to enhance the performance and efficiency of the nRF52 Series devices. This integration ensures the longest battery life and the highest

reliability for the end application. The synergy between the nRF52 Series and the Nordic PMICs highlights Nordic Semiconductor's commitment to providing a complete and cohesive solution for their customers' needs in wireless technology applications.

7.4 Package thermal characteristics

A summary of the thermal characteristics for the different packages available for the IC can be found below.

Symbol	Package	Typ.	Unit
$\theta_{JA,aQFN73}$	aQFN73	74.60	°C/W
$\theta_{JA,QFN40}$	QFN40	136.59	°C/W
$\theta_{JA,WLCSP}$	WLCSP	93.09	°C/W

Table 186: Package thermal characteristics

Values obtained by simulation following the EIA/JESD51-2 for still air condition.

7.5 Package Variation

The following describes the variation between the stated parameters in this specification and the values for the specific device package.

7.5.1 aQFN73

The parameter variation when using the aQFN73 package is as follows:

Symbol	Min.	Typ.	Max.	Unit
$P_{SENS,IEEE\ 802.15.4}$		-99		dBm
$P_{SENS,IT,SP,1M,BLE}$		-95		dBm
P_{RF}		7.5 ⁴¹		dBm

Table 187: aQFN73 Package variation

⁴¹ Achieved using $P_{OS}8$ dBm setting in RADIO.TXPOWER

8 Recommended operating conditions

The operating conditions are the physical parameters that the chip can operate within.

Symbol	Parameter	Min.	Nom.	Max.	Units
VDD	VDD supply voltage, independent of DCDC enable	1.7	3.0	3.6	V
VDDPOR	VDD supply voltage needed during power-on reset	1.75			V
VDDH	VDDH supply voltage	2.5	3.7	5.5	V
VBUS	VBUS USB supply voltage	4.35	5.0	5.5	V
t _{R_VDD}	Supply rise time (0 V to 1.7 V)			60	ms
t _{R_VDDH}	Supply rise time (0 V to 3.7 V)			100	ms
T _A	Operating temperature	-40	25	85	°C
T _{AEXT}	Extended operating temperature	85		105	°C
T _J	Junction temperature			110	°C

Table 188: Recommended operating conditions

Note: The on-chip power-on reset circuitry may not function properly for rise times longer than the specified maximum.

8.1 Extended Operating Temperature

The operating temperature range for the device is defined in [Recommended operating conditions](#) on page 611. The range extends from T_A minimum to T_{AEXT} maximum.

Some electrical parameters are valid only for the T_A operating temperature conditions. When this is the case, an additional parameter for the T_{AEXT} extended operating temperature condition is provided.

Note: When running the device in the extended operating temperature conditions range, the register [LFXODEBOUNCE](#) on page 94 must be set to `Extended`.

To avoid surpassing the maximum die junction temperature, see [Recommended operating conditions](#) on page 611, it is important to minimize current consumption when operating in the extended operating temperature conditions. To achieve this, it is recommended to use the device in Normal Voltage mode with DC/DC enabled. See [POWER — Power supply](#) on page 61 for details about main supply modes.

8.2 WLCSP light sensitivity

All WLCSP package variants are sensitive to visible and close-range infrared light. This means that a final product design must shield the chip properly, either by final product encapsulation or by shielding/coating of the WLCSP device.

Some WLCSP package variants have a backside coating, where the marking side of the device is covered with a light absorbing film, while the side edges and the ball side of the device are still exposed and need to be protected. Other WLCSP package variants do not have any such protection.

The WLCSP package variant CJAA has a backside coating.

9 Absolute maximum ratings

Maximum ratings are the extreme limits to which the chip can be exposed for a limited amount of time without permanently damaging it. Exposure to absolute maximum ratings for prolonged periods of time may affect the reliability of the device.⁴²

	Note	Min.	Max.	Unit
Supply voltages				
VDD		-0.3	+3.9	V
VDDH		-0.3	+5.8	V
VBUS		-0.3	+5.8	V
VSS			0	V
I/O pin voltage				
$V_{I/O}$, VDD ≤ 3.6 V		-0.3	VDD + 0.3	V
$V_{I/O}$, VDD > 3.6 V		-0.3	3.9	V
NFC antenna pin current				
$I_{NFC1/2}$			80	mA
Environmental aQFN™ package				
Storage temperature		-40	+125	°C
MSL	Moisture Sensitivity Level		2	
ESD HBM	Human Body Model		4	kV
ESD HBM Class	Human Body Model Class		3A	
ESD CDM	Charged Device Model		750	V
Environmental QFN40 package				
Storage temperature		-40	+125	°C
MSL	Moisture Sensitivity Level		2	
ESD HBM	Human Body Model		4	kV
ESD HBM Class	Human Body Model Class		3A	
ESD CDM	Charged Device Model		1	kV
Environmental WLCSP 3.175 x 3.175 mm package				
Storage temperature		-40	+125	°C
MSL	Moisture Sensitivity Level		1	
ESD HBM	Human Body Model		4	kV
ESD HBM Class	Human Body Model Class		3A	
ESD CDM	Charged Device Model		750	V
Flash memory				
Endurance		10 000		write/erase cycles
Retention at 85 °C		10		years
Retention at 105 °C	Limited to 1000 write/erase cycles	3		years
Retention at 105 °C-85 °C, execution split	Limited to 1000 write/erase cycles	6.7		years

75% execution time at 85 °C or less

Table 189: Absolute maximum ratings

⁴² For accelerated life time testing (HTOL, etc) supply voltage should not exceed the recommended operating conditions max value, see [Recommended operating conditions](#) on page 611.



10 Ordering information

This chapter contains information on device marking, ordering codes, and container sizes.

10.1 Device marking

The nRF52833 package is marked as shown in the following figure. Only the first two characters of the function variant code are used in the <VV> entry.

N	5	2	8	3	3
<P	P>	<V	V>	<H	<P>
<Y	Y>	<W	W>	<L	L>

Figure 223: Package marking

10.2 Box labels

The following figures show the box labels used for nRF52833.

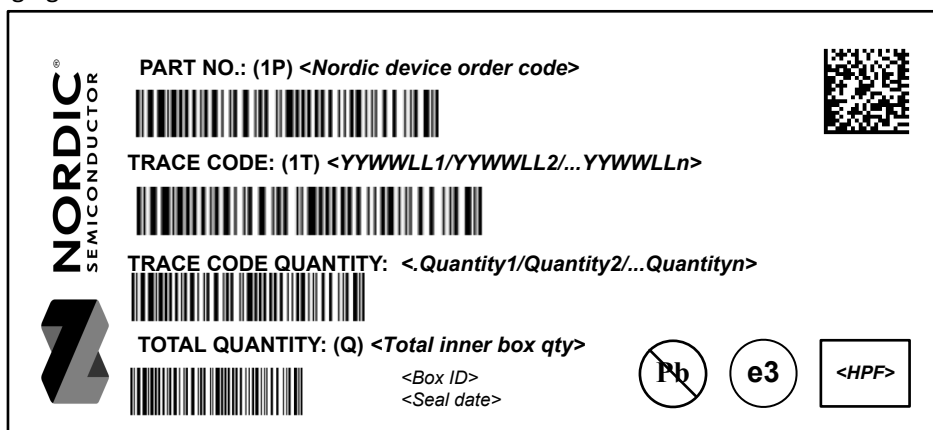


Figure 224: Inner box label


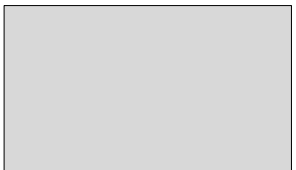
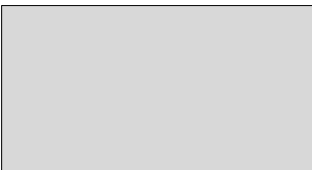









	
FROM: 	TO: 
PART NO: (1P) <Nordic device order code>  <div style="float: right; border: 1px solid black; padding: 2px;"> <H><P><F> </div>	
CUSTOMER PO NO: (K) <Customer Purchase Order No.>  <div style="float: right; border: 1px solid black; border-radius: 50%; padding: 5px;"> Pb </div>	
SALES ORDER NO: (14K) <Nordic Sales Order+Sales order line no.+ Delivery line no.> 	
SHIPMENT ID.: 2K <Nordic's shipment ID.> 	
QUANTITY: (Q) <Total quantity> 	
COUNTRY OF ORIGIN.: 4L <2- character code of COO> 	CARTON NO: x/n
DELIVERY NO.: (9K) <Shipper's shipment no.> 	GROSS WEIGHT:  KGS 

Figure 225: Outer box label

10.3 Order code

The following are the order codes and definitions for nRF52833.

n	R	F	5	2	8	3	3	-	<P	P>	<V	V>	-	<C	C>
---	---	---	---	---	---	---	---	---	----	----	----	----	---	----	----

Figure 226: Order code

Abbreviation	Definition and implemented codes
N52/nRF52	nRF52 Series product
833	Part code
<PP>	Package variant code
<VV>	Function variant code
<H><P><F>	Build code H - Hardware version code P - Production configuration code (production site, etc.) F - Firmware version code (only visible on shipping container label)
<YY><WW><LL>	Tracking code YY - Year code WW - Assembly week number LL - Wafer lot code
<CC>	Container code

Table 190: Abbreviations

10.4 Code ranges and values

Defined here are the nRF52833 code ranges and values.

<PP>	Package	Size (mm)	Pin/Ball count	Pitch (mm)
QI	aQFN™	7 x 7	73	0.5
QD	QFN	5 x 5	40	0.4
CJ	WLCSP	3.175 x 3.175	75	0.35

Table 191: Package variant codes

<VV>	Flash (kB)	RAM (kB)	Access port protection
AA	512	128	Controlled by hardware
AA-B	512	128	Controlled by hardware and software

Table 192: Function variant codes

<H>	Description
[A . . Z]	Hardware version/revision identifier (incremental)

Table 193: Hardware version codes

<P>	Description
[0 . . 9]	Production device identifier (incremental)
[A . . Z]	Engineering device identifier (incremental)

Table 194: Production configuration codes

<F>	Description
[A . . N, P . . Z]	Version of preprogrammed firmware
[0]	Delivered without preprogrammed firmware

Table 195: Production version codes

<YY>	Description
[00 . . 99]	Production year: 2000 to 2099

Table 196: Year codes

<WW>	Description
[1 . . 52]	Week of production

Table 197: Week codes

<LL>	Description
[AA . . ZZ]	Wafer production lot identifier

Table 198: Lot codes

<CC>	Description
R7	7" Reel
R	13" Reel

Table 199: Container codes

10.5 Product options

Defined here are the nRF52833 product options.

Order code	MOQ ⁴³	Comment
nRF52833-QIAA-R7	800	Not recommended for new designs
nRF52833-QIAA-R	3000	Not recommended for new designs
nRF52833-QIAA-B-R7	800	
nRF52833-QIAA-B-R	3000	
nRF52833-QDAA-R7	1500	Not recommended for new designs
nRF52833-QDAA-R	4000	Not recommended for new designs
nRF52833-QDAA-B-R7	1500	
nRF52833-QDAA-B-R	4000	
nRF52833-CJAA-R7	1500	Not recommended for new designs
nRF52833-CJAA-R	7000	Not recommended for new designs
nRF52833-CJAA-B-R7	1500	
nRF52833-CJAA-B-R	7000	

Table 200: nRF52833 order codes

Order code	Description
nRF52833-DK	nRF52833 Development Kit

Table 201: Development tools order code

⁴³ Minimum Ordering Quantity

11 Legal notices

By using this documentation you agree to our terms and conditions of use. Nordic Semiconductor may change these terms and conditions at any time without notice.

Liability disclaimer

Nordic Semiconductor ASA reserves the right to make changes without further notice to the product to improve reliability, function, or design. Nordic Semiconductor ASA does not assume any liability arising out of the application or use of any product or circuits described herein.

Nordic Semiconductor ASA does not give any representations or warranties, expressed or implied, as to the accuracy or completeness of such information and shall have no liability for the consequences of use of such information. If there are any discrepancies, ambiguities or conflicts in Nordic Semiconductor's documentation, the Product Specification prevails.

Nordic Semiconductor ASA reserves the right to make corrections, enhancements, and other changes to this document without notice.

Customer represents that, with respect to its applications, it has all the necessary expertise to create and implement safeguards that anticipate dangerous consequences of failures, monitor failures and their consequences, and lessen the likelihood of failures that might cause harm, and to take appropriate remedial actions.

Nordic Semiconductor ASA assumes no liability for applications assistance or the design of customers' products. Customers are solely responsible for the design, validation, and testing of its applications as well as for compliance with all legal, regulatory, and safety-related requirements concerning its applications.

Nordic Semiconductor ASA's products are not designed for use in life-critical medical equipment, support appliances, devices, or systems where malfunction of Nordic Semiconductor ASA's products can reasonably be expected to result in personal injury. Customer may not use any Nordic Semiconductor ASA's products in life-critical medical equipment unless adequate design and operating safeguards by customer's authorized officers have been made. Customer agrees that prior to using or distributing any life-critical medical equipment that include Nordic Semiconductor ASA's products, customer will thoroughly test such systems and the functionality of such products as used in such systems.

Customer will fully indemnify Nordic Semiconductor ASA and its representatives against any damages, costs, losses, and/or liabilities arising out of customer's non-compliance with this section.

RoHS and REACH statement

Refer to www.nordicsemi.com for complete hazardous substance reports, material composition reports, and latest version of Nordic's RoHS and REACH statements.

Trademarks

All trademarks, service marks, trade names, product names, and logos appearing in this documentation are the property of their respective owners.

Copyright notice

© 2023 Nordic Semiconductor ASA. All rights are reserved. Reproduction in whole or in part is prohibited without the prior written permission of the copyright holder.

