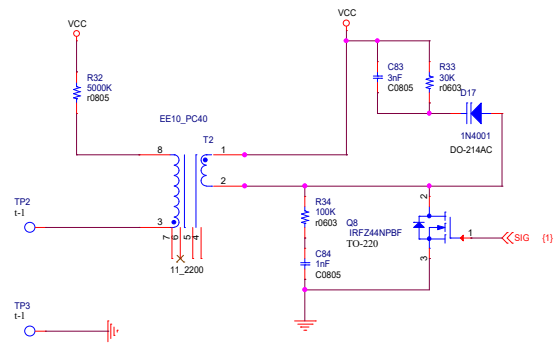


RY8411: R25-270K R27-51K
 SY8113BADC: R25-15K R27-2K

Title		<Title>	Rev	1
Size	C	Document Number	<Doc>	
Date:	Tuesday, February 15, 2022	Sheet	1	of 1



Title		<Title>
Size	Document Number	Rev
C	<Doc>	<Rev Code>
Date:	Tuesday, February 15, 2022	Sheet 1 of 1